



US00D764209S

(12) **United States Design Patent**
Goodman et al.

(10) **Patent No.:** **US D764,209 S**
(45) **Date of Patent:** **** Aug. 23, 2016**

(54) **TOWEL BAR**

(71) Applicant: **Spectrum Diversified Designs, Inc.**,
Streetsboro, OH (US)

(72) Inventors: **Sheldon H. Goodman**, Solon, OH (US);
Phaysouk Xayoiphonh, Akron, OH
(US); **Jennifer Case**, Middleburg Hts.,
OH (US)

(73) Assignee: **Spectrum Diversified Designs, LLC**,
Streetsboro, OH (US)

(**) Term: **14 Years**

(21) Appl. No.: **29/507,593**

(22) Filed: **Oct. 29, 2014**

(51) **LOC (10) Cl.** **06-04**

(52) **U.S. Cl.**
USPC **D6/549**

(58) **Field of Classification Search**
USPC D6/546–550, 512–525; D8/300,
D8/315–321, 354, 363, 373, 380;
108/28–29; 211/13.1, 16, 85.5, 86.01,
211/87.01, 88.04, 100, 105.1, 105.2, 106,
211/113, 123, 181.1, 182–183; 248/49,
248/175, 176.1, 200, 201, 205.1, 251, 302,
248/309.1, 315; 242/570, 590, 595–598;
D25/45
CPC A47K 10/3836; A47K 10/38
See application file for complete search history.

(56) **References Cited**

U.S. PATENT DOCUMENTS

D327,598 S * 7/1992 Emery D6/522
D392,138 S * 3/1998 Wu D6/546
D453,649 S * 2/2002 Hoernig D6/548
D477,485 S * 7/2003 Hoernig D6/548

D477,737 S * 7/2003 Hoernig D6/548
D492,528 S * 7/2004 Graves D6/548
D575,089 S * 8/2008 Krumpe D6/548
D668,493 S * 10/2012 Krumpe D6/548
D668,900 S * 10/2012 Romero D6/548
D671,777 S * 12/2012 Kwok D6/548
D701,059 S * 3/2014 Goodman D6/548
D723,297 S * 3/2015 Goodman D6/513
2010/0187384 A1 * 7/2010 Taurins A47G 25/06
248/201

OTHER PUBLICATIONS

Spectrum Diversified website, scroll over the cabinet towel bar, May 19, 2016, <http://www.spectrumdiversified.com/products/scroll-over-the-cabinet-towel-bar>.*

* cited by examiner

Primary Examiner — David Muller

Assistant Examiner — Nathan Johnston

(74) *Attorney, Agent, or Firm* — Benesch, Friedlander,
Coplan & Aronoff LLP

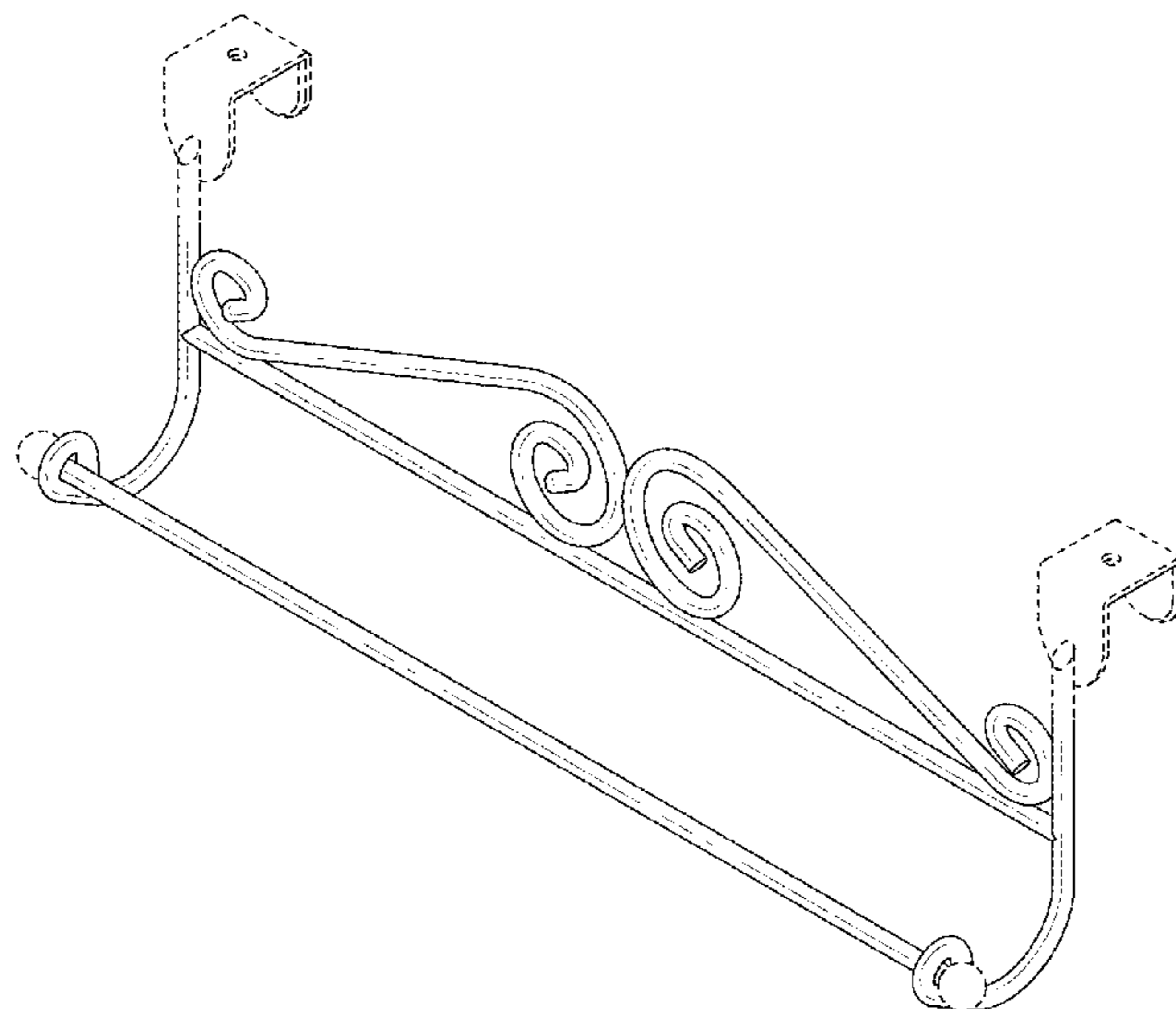
(57) **CLAIM**

What is claimed is the ornamental design for a towel bar, as shown and described.

DESCRIPTION

FIG. 1 is a perspective view of a towel bar showing our new design;
FIG. 2 is a front elevation view thereof;
FIG. 3 is a side elevation view thereof;
FIG. 4 is a rear elevation view thereof;
FIG. 5 is a top plan view thereof; and,
FIG. 6 is a bottom plan view thereof.
The components of the towel bar shown in broken lines illustrate portions of the towel bar and form no part of the claimed design.

1 Claim, 3 Drawing Sheets



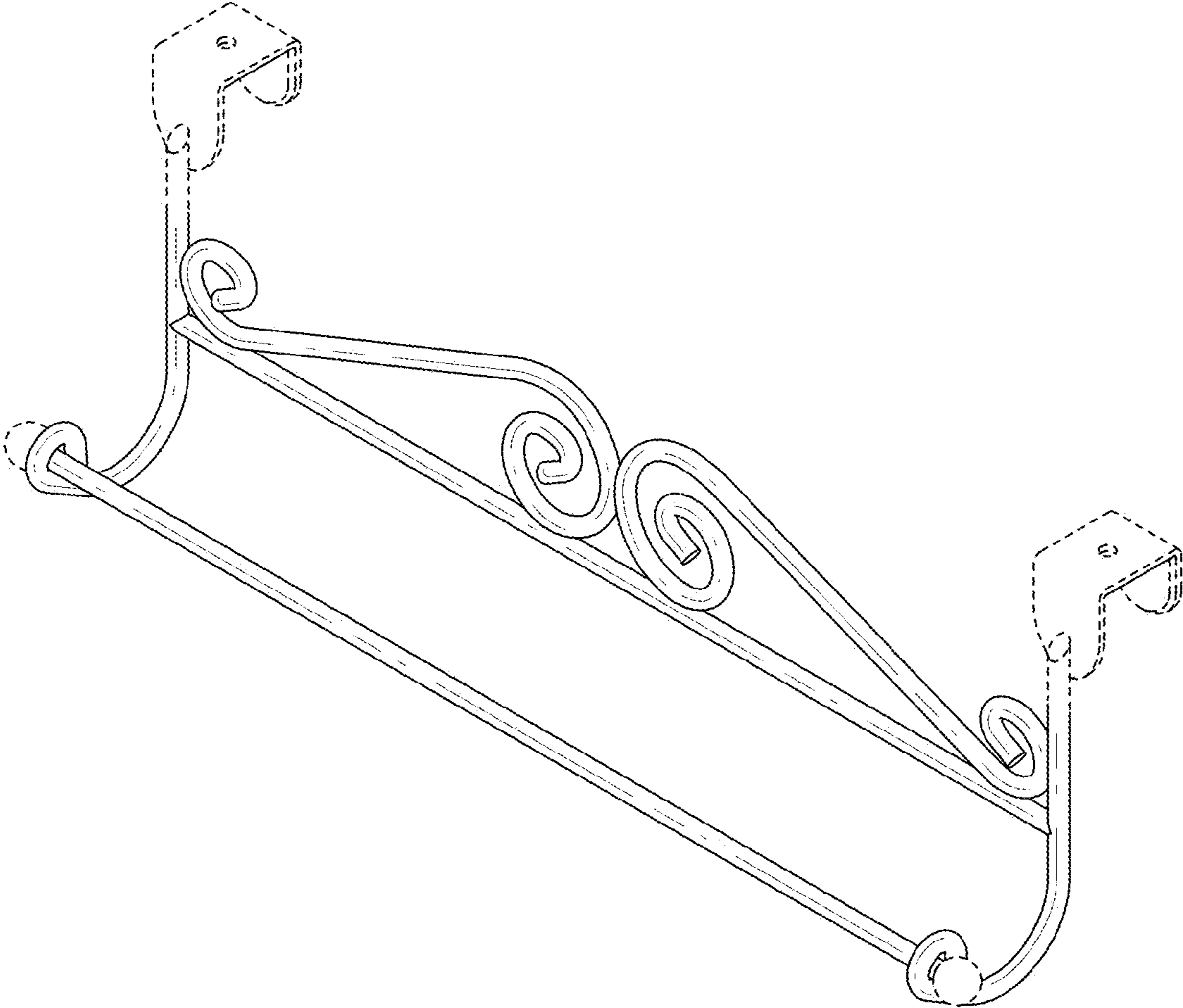


FIG 1

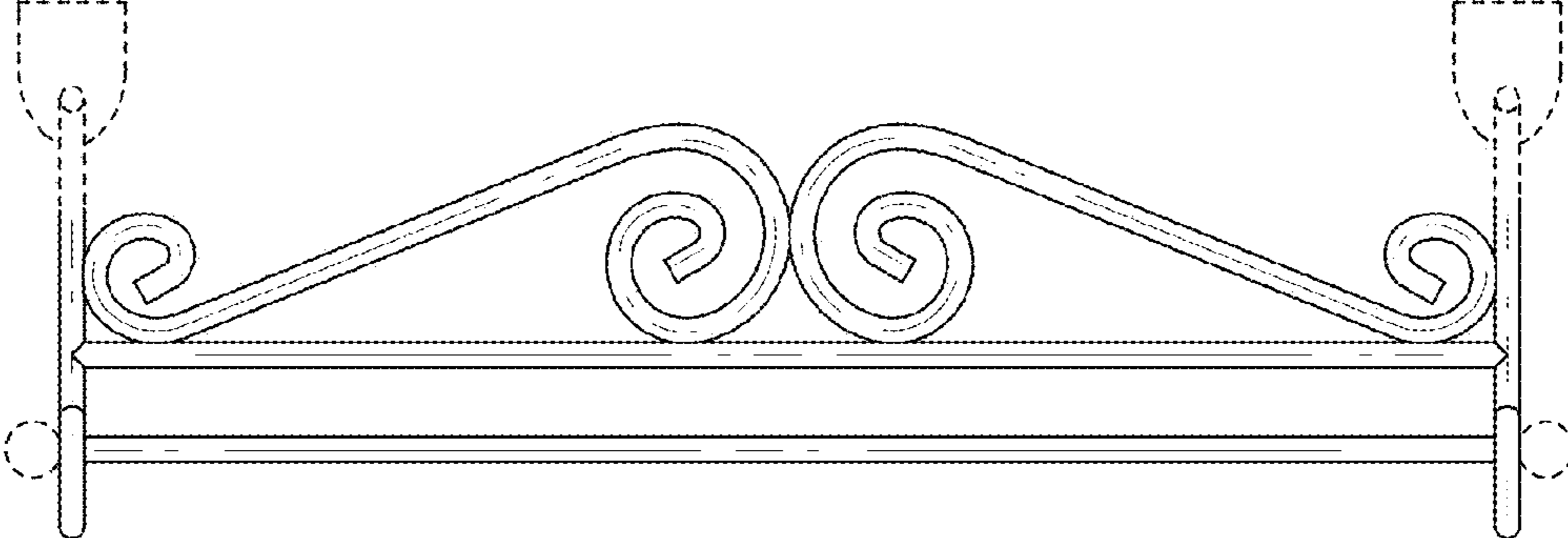


FIG 2

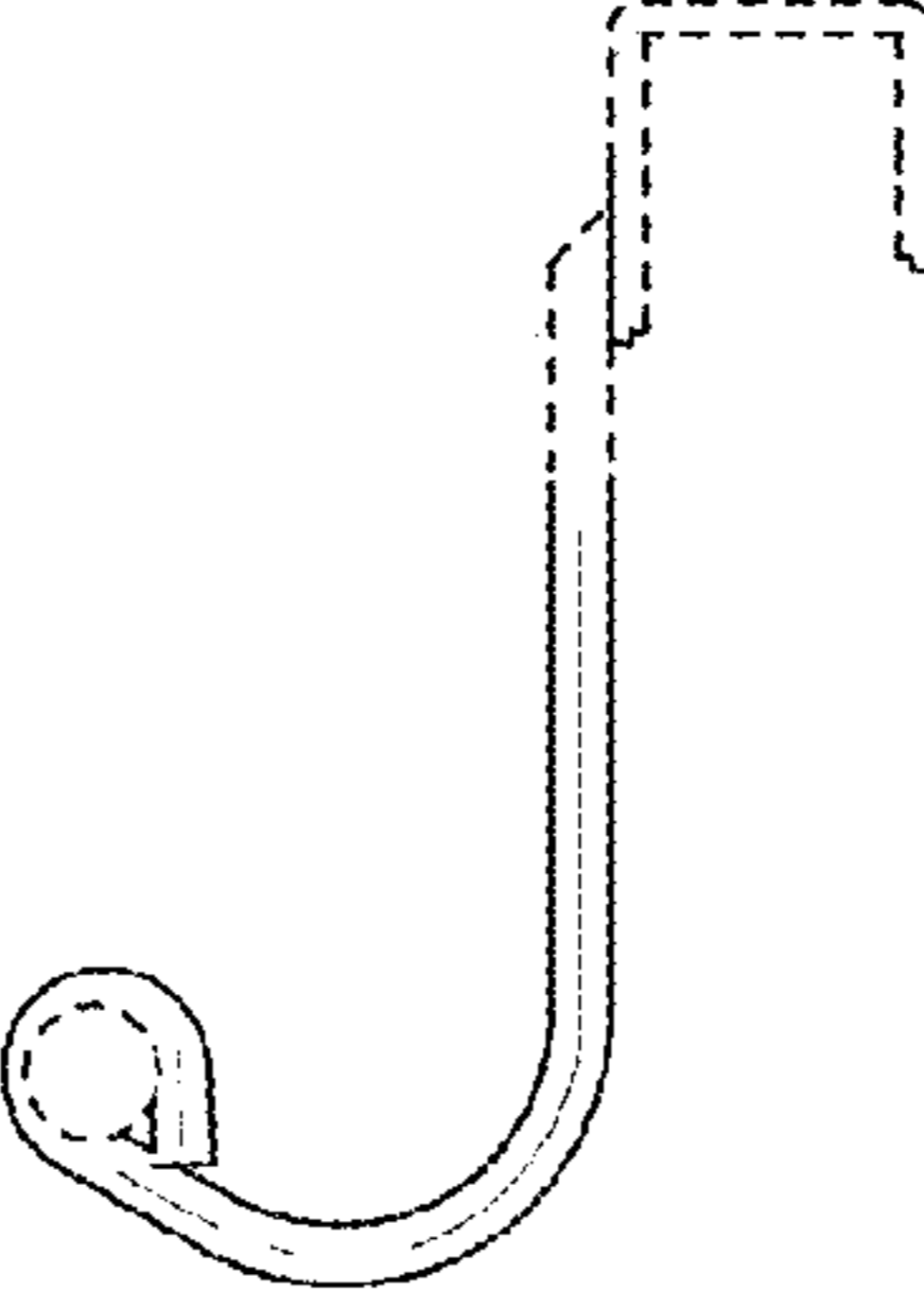


FIG 3

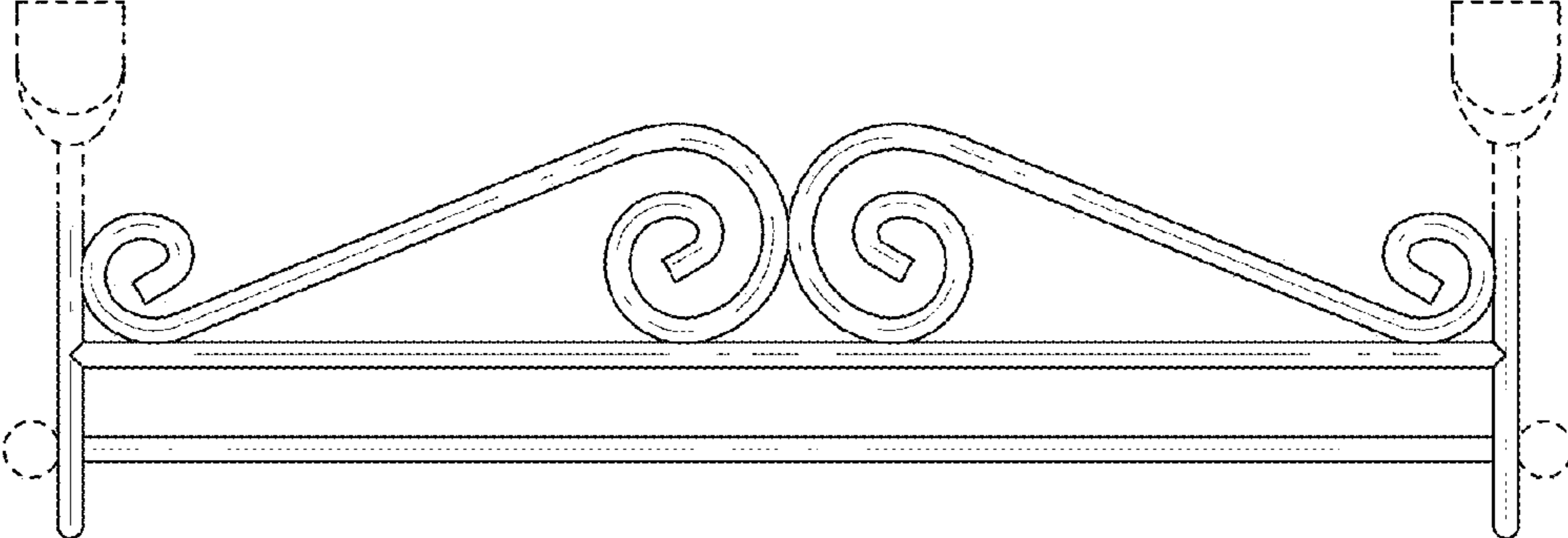


FIG 4

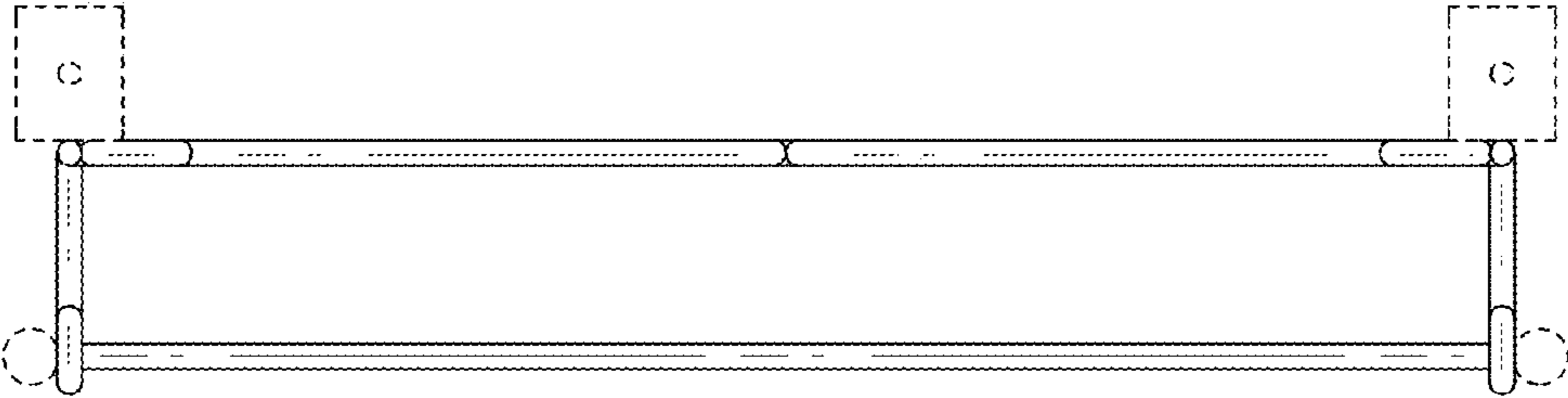


FIG 5

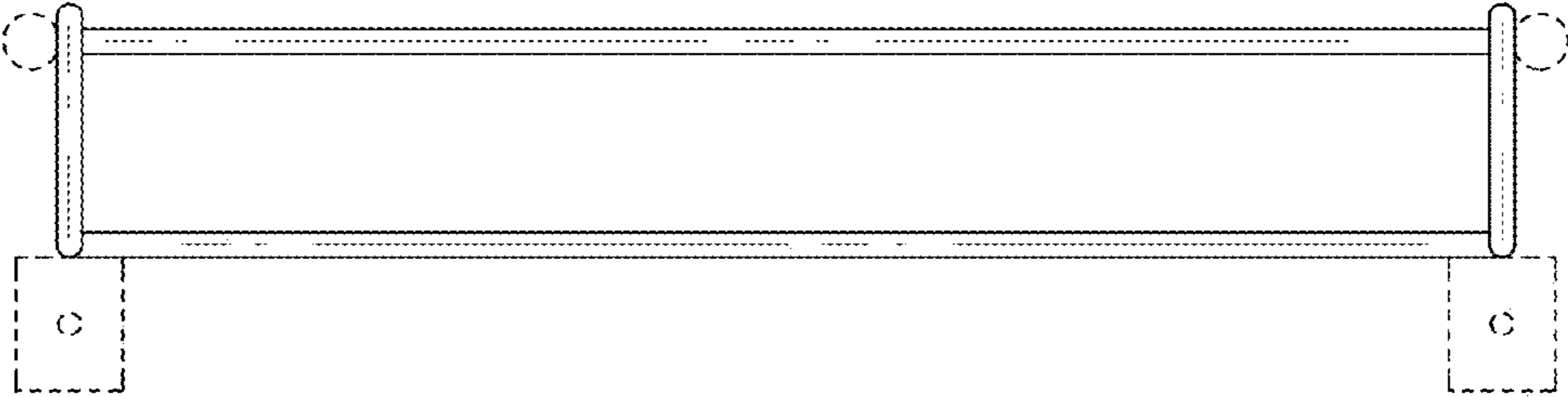


FIG 6