



US00D764208S

(12) **United States Design Patent**
Shafran

(10) **Patent No.:** **US D764,208 S**

(45) **Date of Patent:** **** Aug. 23, 2016**

(54) **TOILET PAPER AND WET WIPES DISPENSER**

D634,138 S * 3/2011 Wallace D6/518
D663,980 S * 7/2012 Bendana D6/518
8,540,117 B2 * 9/2013 Andrews B65D 83/0805
221/34

(71) Applicant: **Commerseen Ltd.**, Herzeliya (IL)

* cited by examiner

(72) Inventor: **Yoel Shafran**, Herzeliya (IL)

Primary Examiner — Wan Laymon

(73) Assignee: **Commerseen Ltd.**, Herzeliya (IL)

Assistant Examiner — Mark Booker

(**) Term: **14 Years**

(74) *Attorney, Agent, or Firm* — Avery N. Goldstein; Blue Filament Law PLLC

(21) Appl. No.: **29/503,856**

(57) **CLAIM**

The ornamental design for a toilet paper and wet wipes dispenser, as shown and described.

(22) Filed: **Sep. 30, 2014**

DESCRIPTION

(51) **LOC (10) Cl.** **20-02**

(52) **U.S. Cl.**
USPC **D6/523**

(58) **Field of Classification Search**
USPC D6/523, 518–522; 206/389, 391;
222/173; 312/245, 34.1; 221/46, 197,
221/286, 287
CPC A47K 10/421; A47K 10/32
See application file for complete search history.

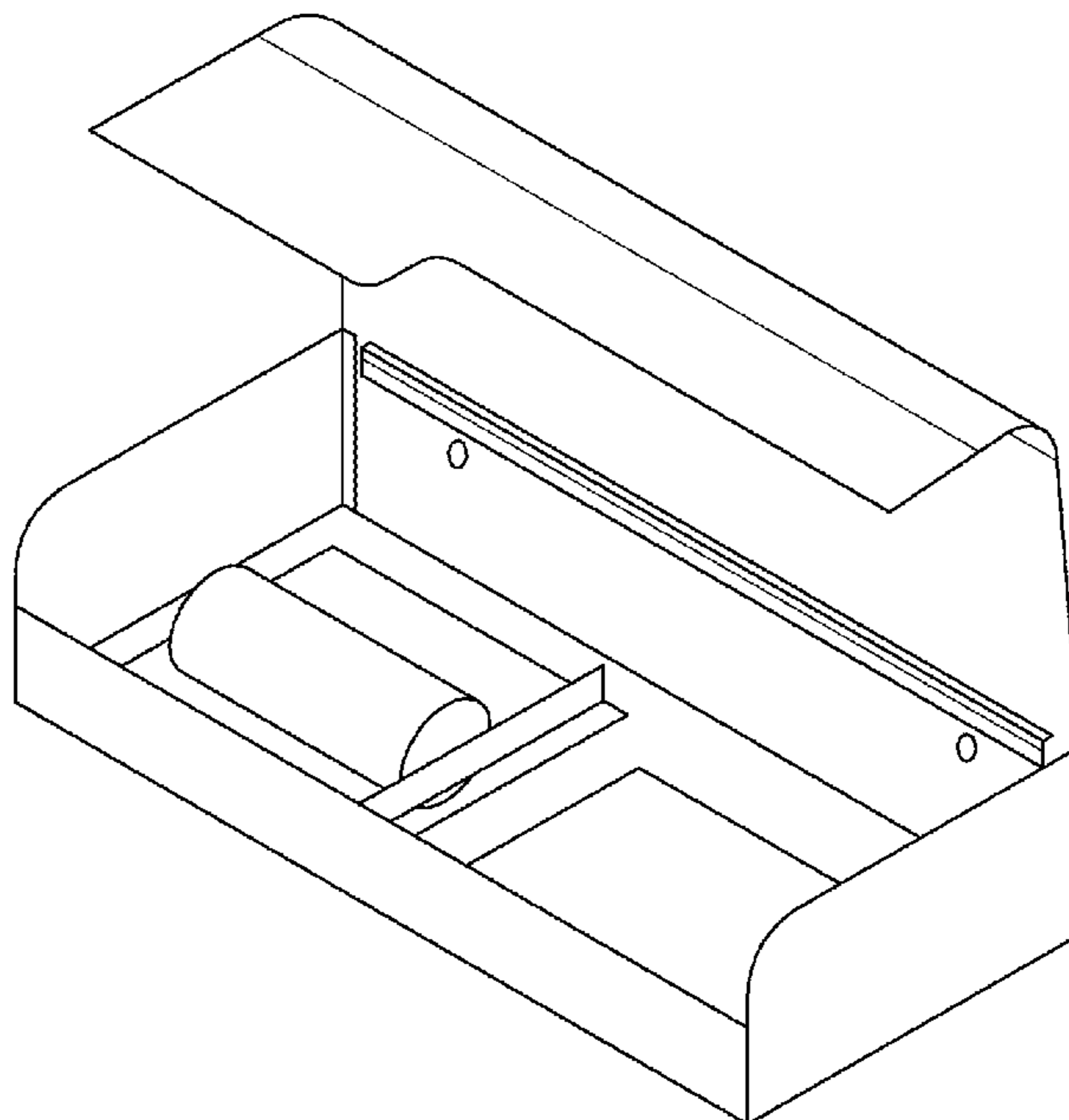
FIG. 1 is a front perspective view of the toilet paper and wet wipes dispenser in an open configuration;
FIG. 2 is a lower perspective view of the toilet paper and wet wipes dispenser in a closed configuration;
FIG. 3 is a front view of the toilet paper and wet wipes dispenser in an open configuration as depicted in FIG. 1,
FIG. 4 is a front view of the toilet paper and wet wipes dispenser in an open configuration as depicted in FIG. 2;
FIG. 5 is a bottom view of the toilet paper and wet wipes dispenser in a closed configuration as depicted in FIG. 2;
FIG. 6 is a top view of the toilet paper and wet wipes dispenser in a closed configuration as depicted in FIG. 2;
FIG. 7 is a right side view the toilet paper and wet wipes dispenser in a closed configuration as depicted in FIG. 2;
FIG. 8 is a left side view the toilet paper and wet wipes dispenser in a closed configuration as depicted in FIG. 2;
FIG. 9 is a rear view the toilet paper and wet wipes dispenser in a closed configuration as depicted in FIG. 2; and,
FIG. 10 is a rear view the toilet paper and wet wipes dispenser in an open configuration as depicted in FIG. 1.

(56) **References Cited**

U.S. PATENT DOCUMENTS

6,189,730 B1 * 2/2001 McClymonds A47K 10/3818
221/197
6,497,345 B1 * 12/2002 Wilker A47K 10/32
222/130
6,672,474 B2 * 1/2004 May A47K 10/421
221/102
D552,902 S * 10/2007 Sadeh D6/520
D609,039 S * 2/2010 Serfaty D6/518
7,726,513 B2 * 6/2010 Schlaupitz A47K 10/421
221/45

1 Claim, 5 Drawing Sheets



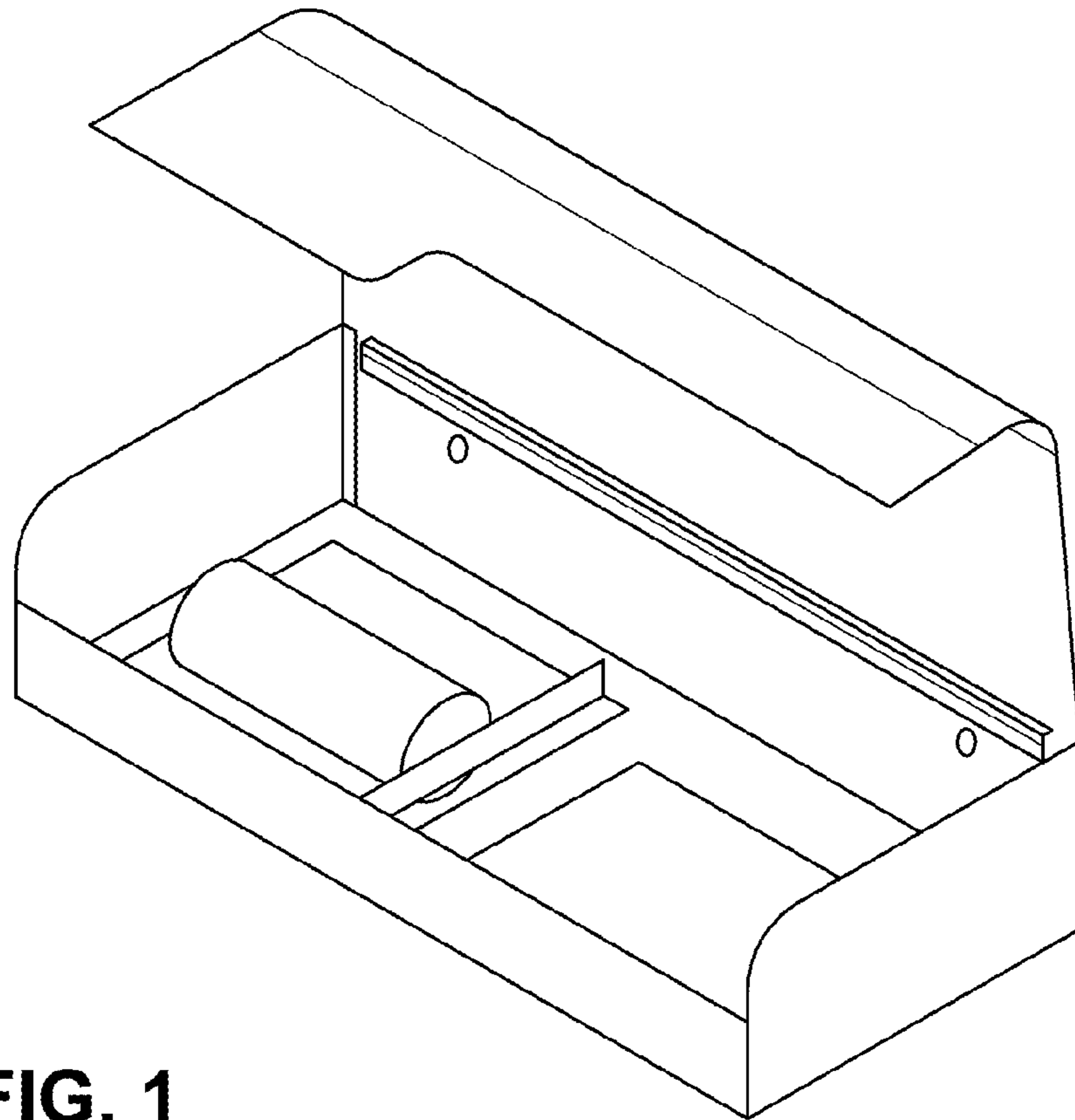


FIG. 1

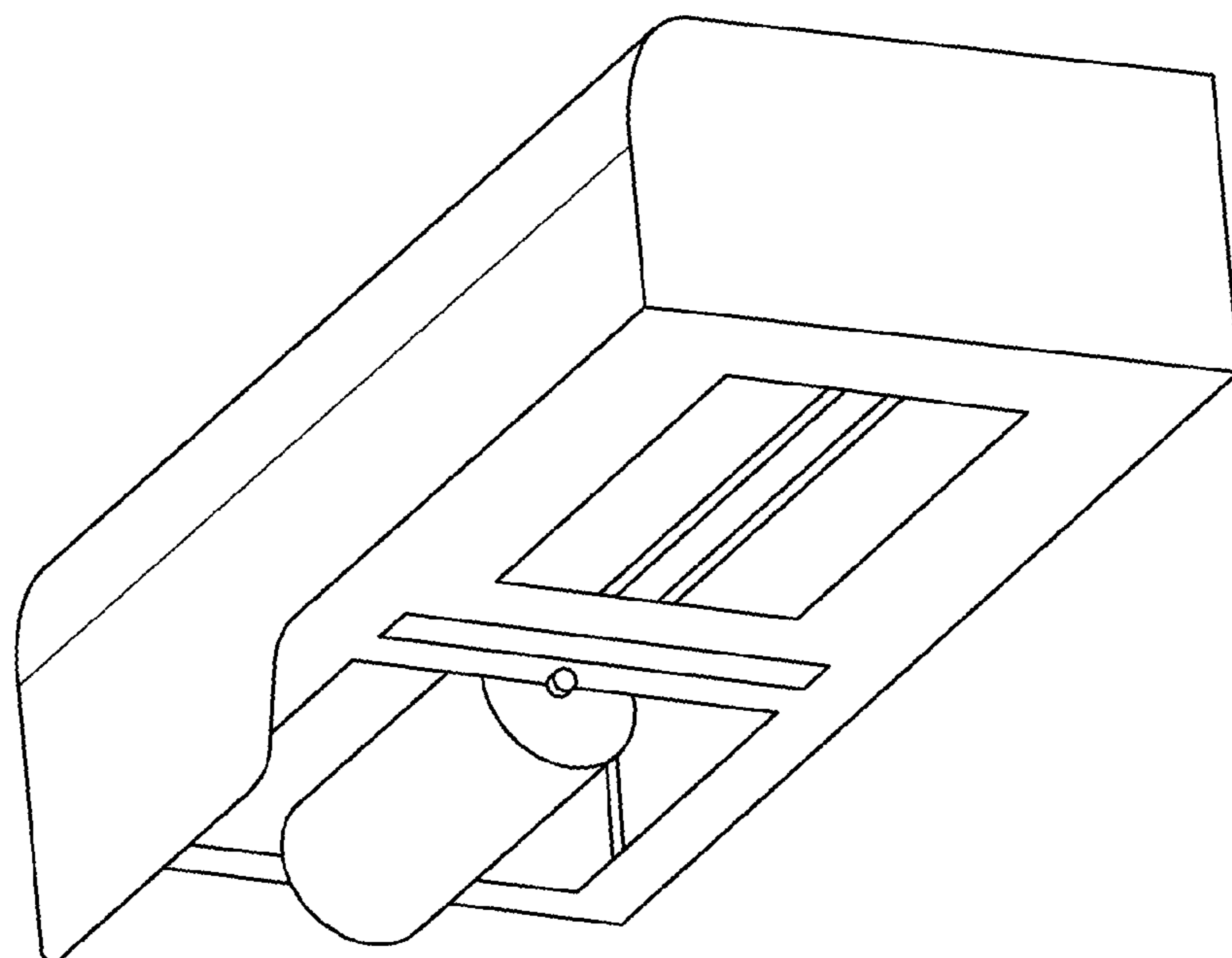


FIG. 2

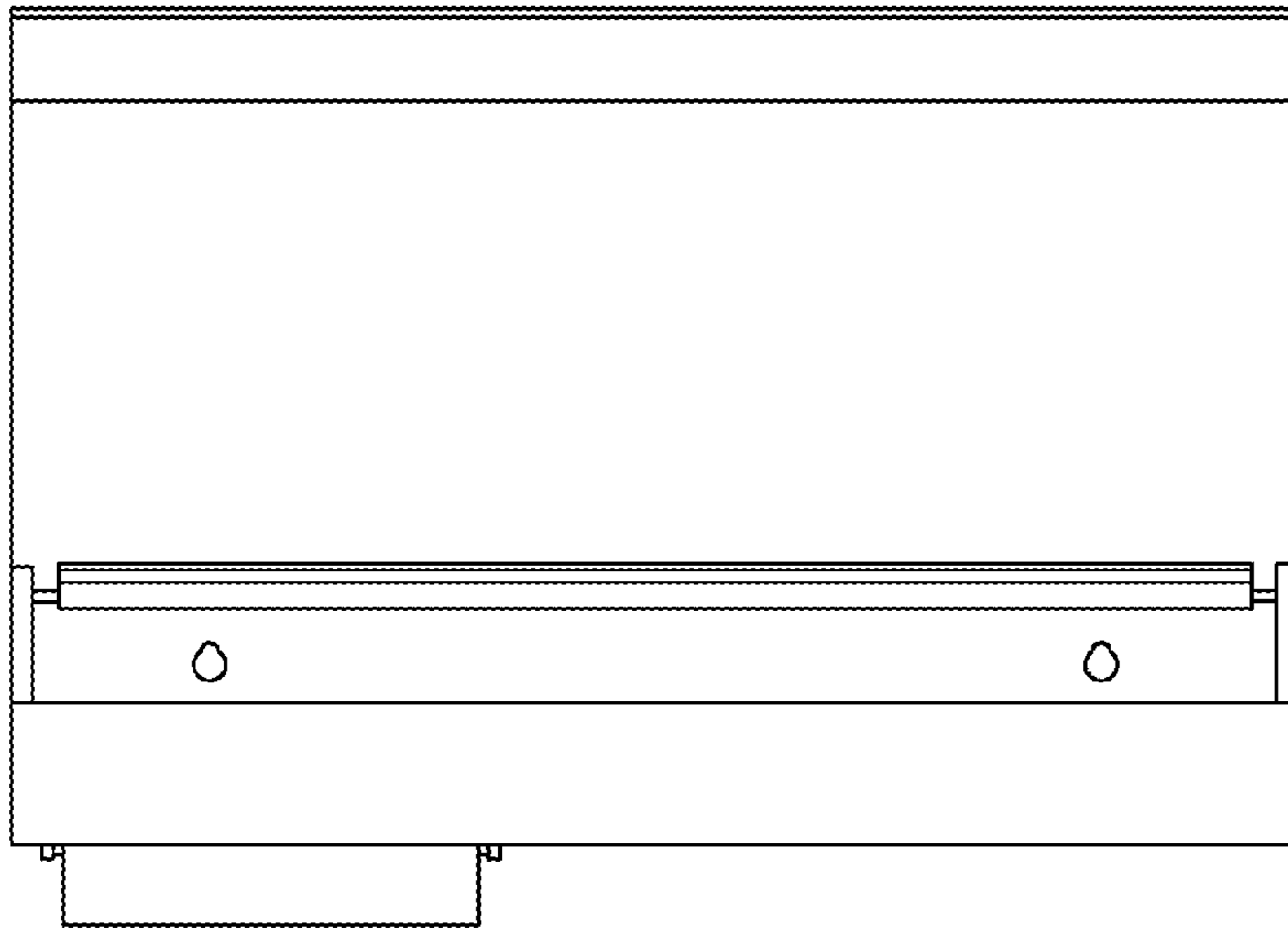


FIG. 3

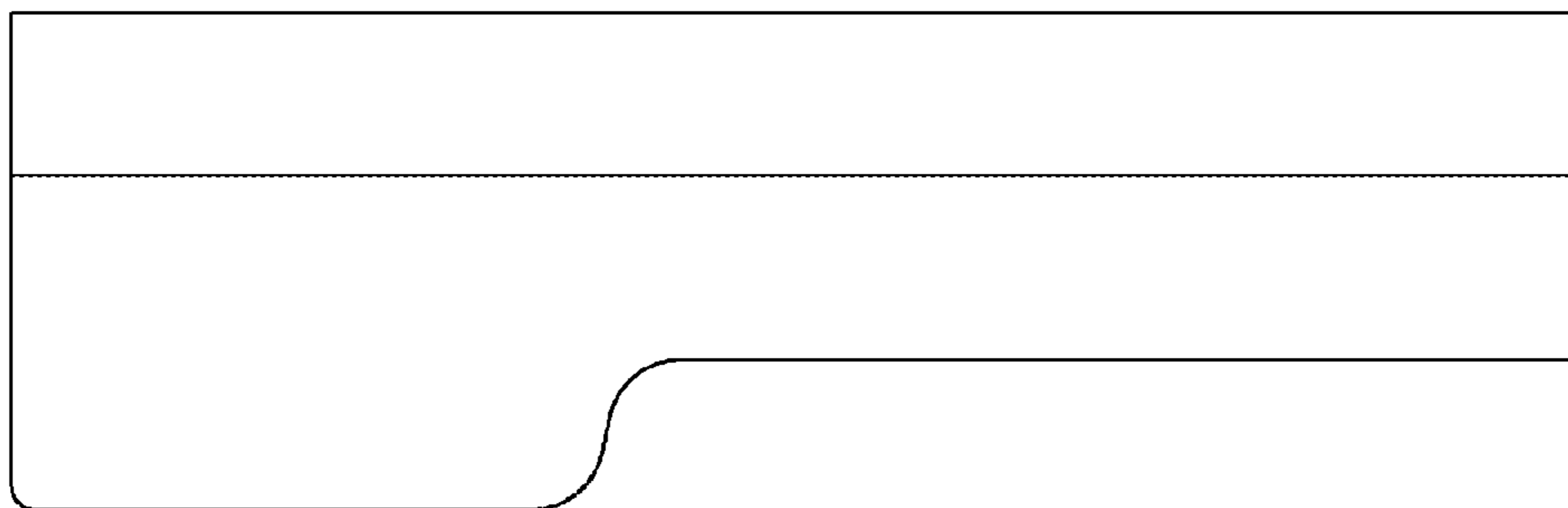


FIG. 4

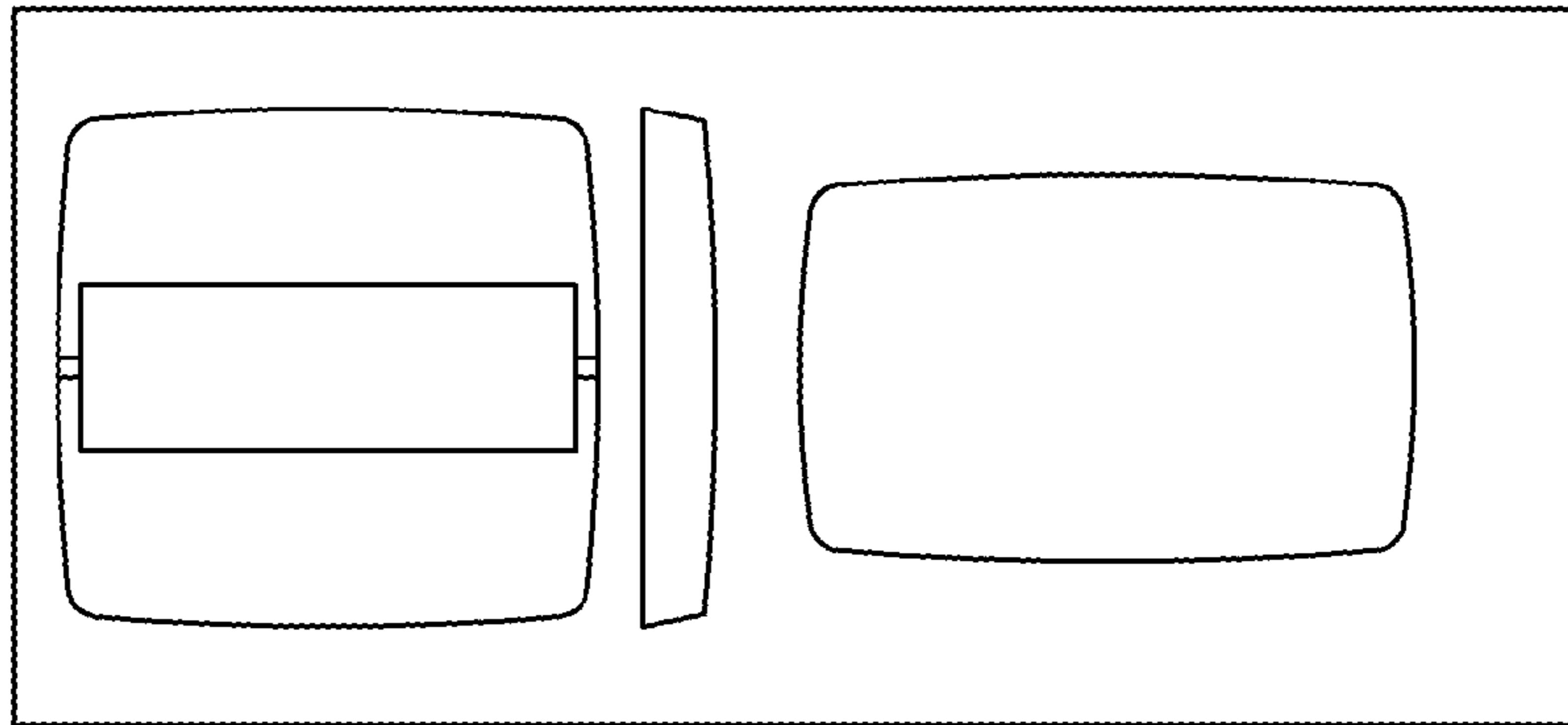


FIG. 5

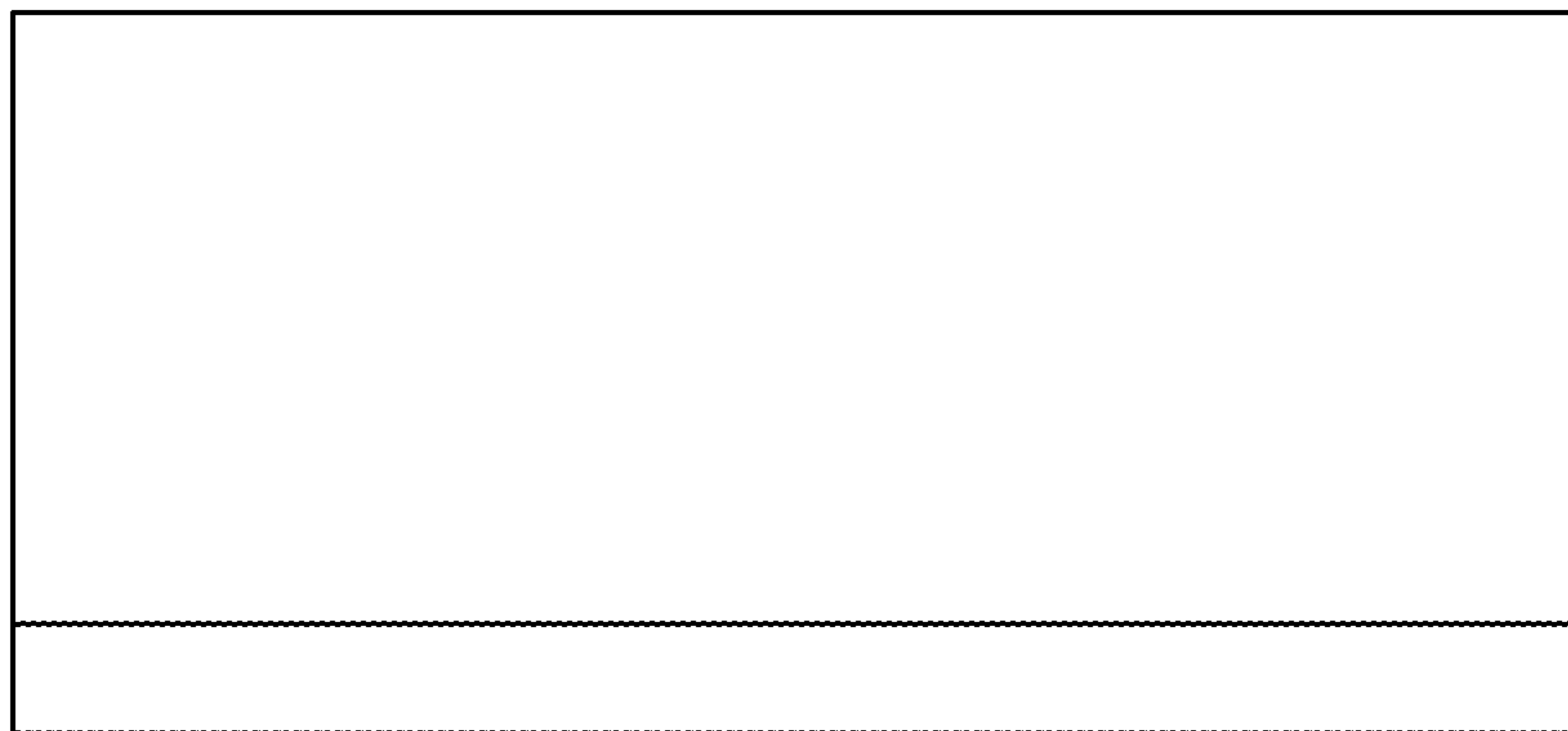


FIG. 6

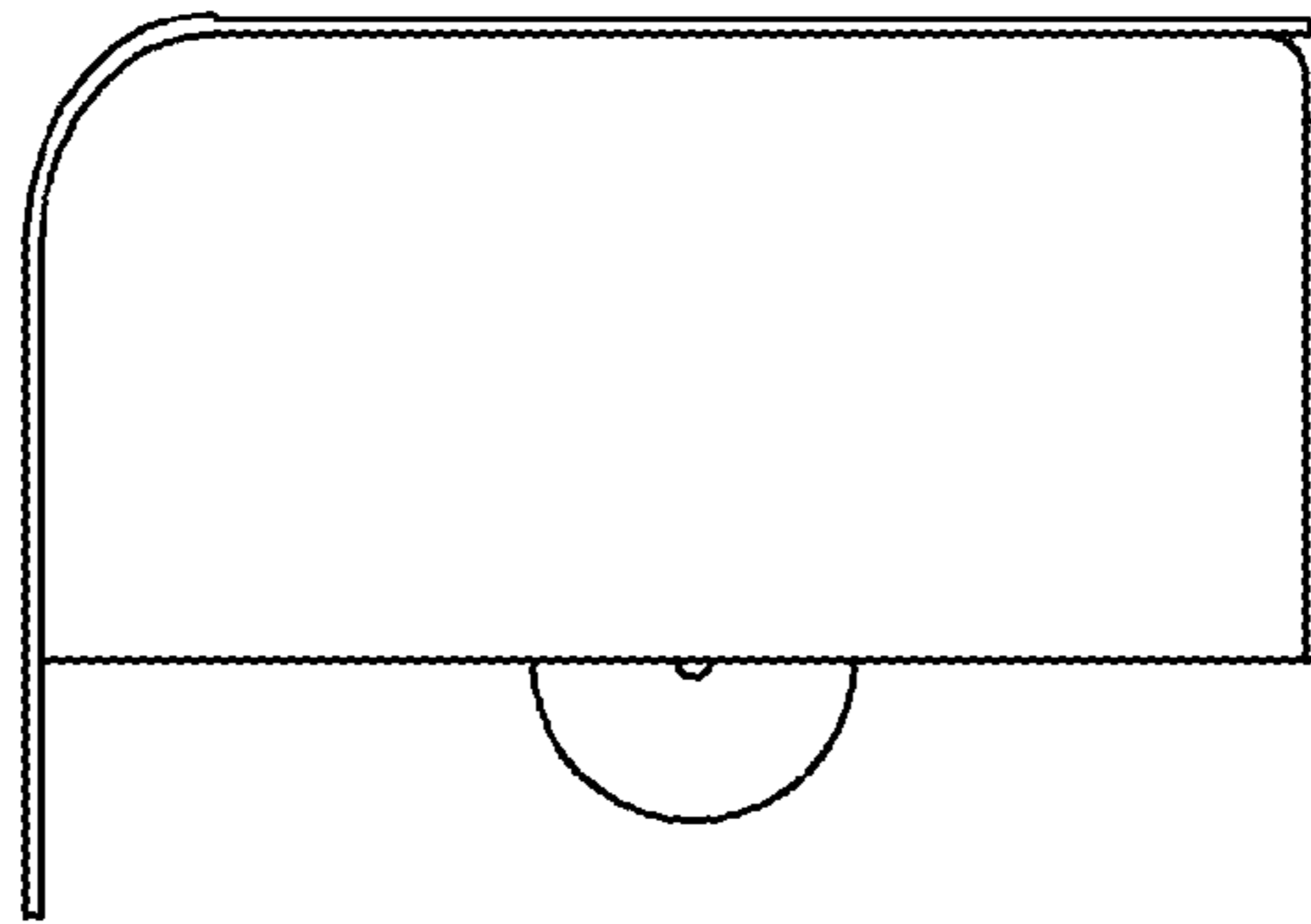


FIG. 7

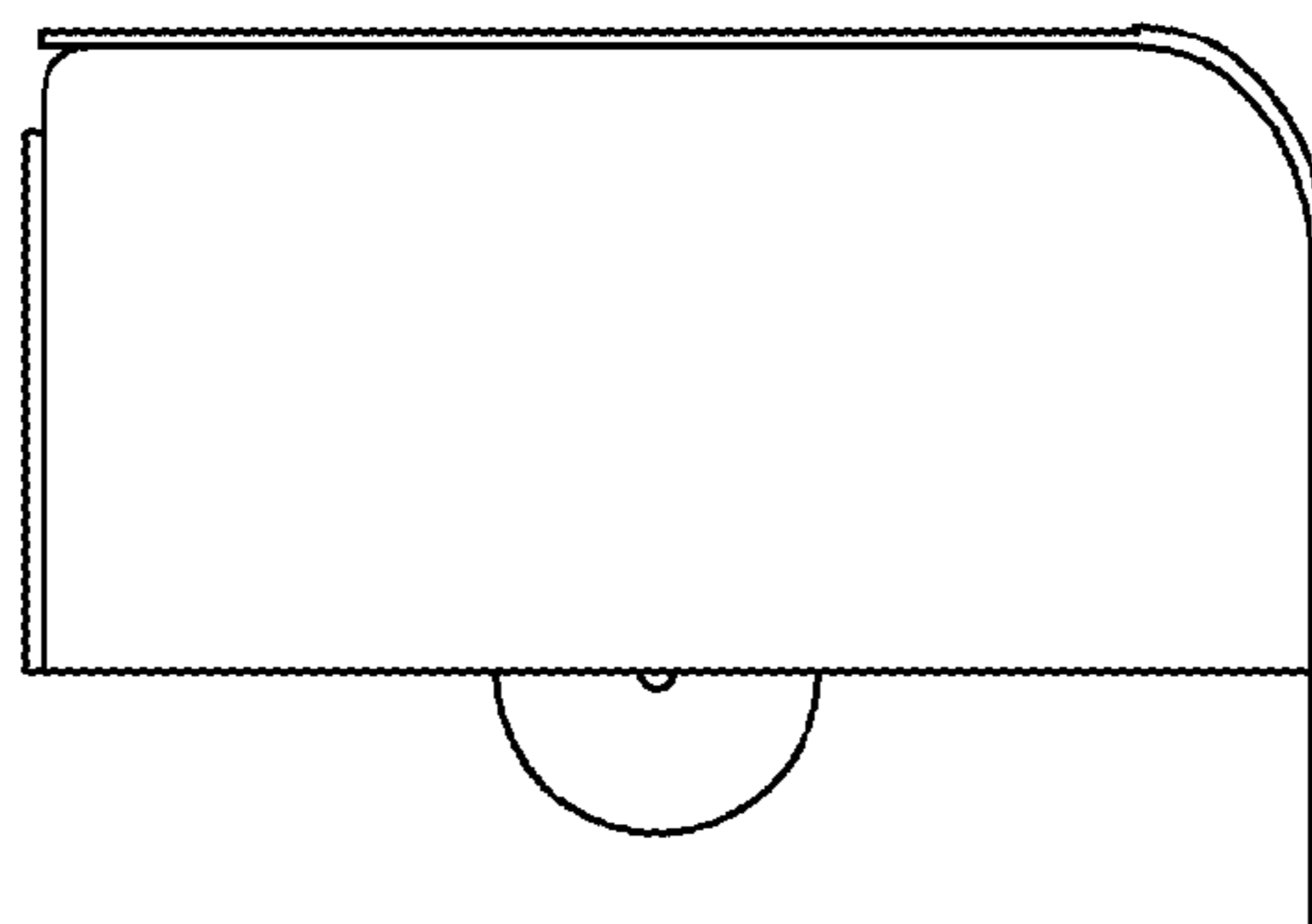


FIG. 8

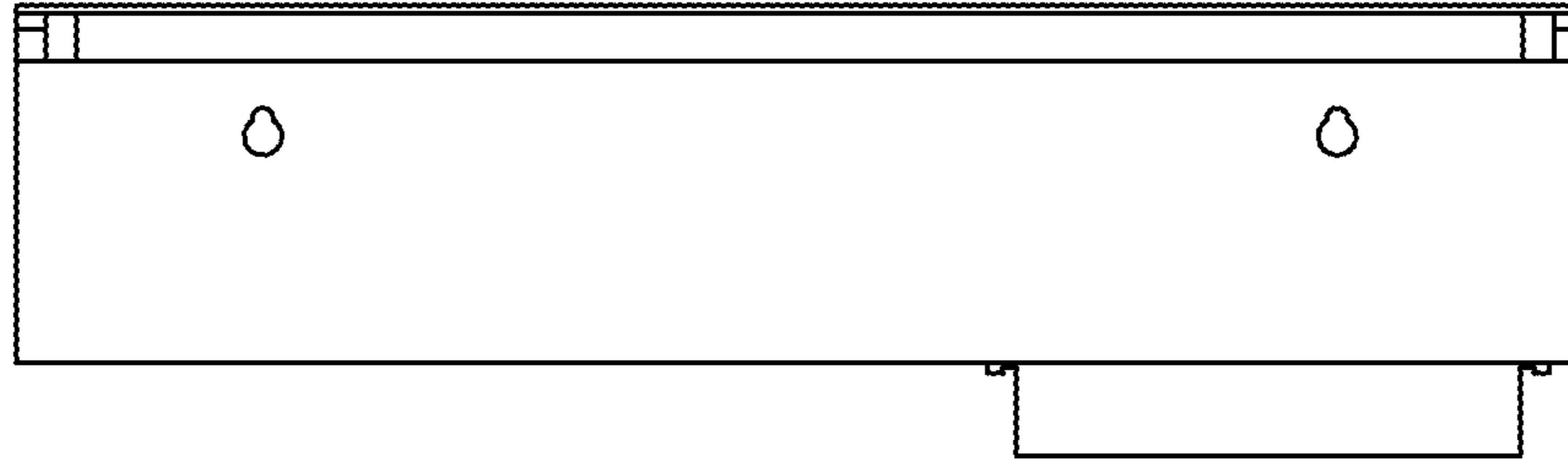


FIG. 9

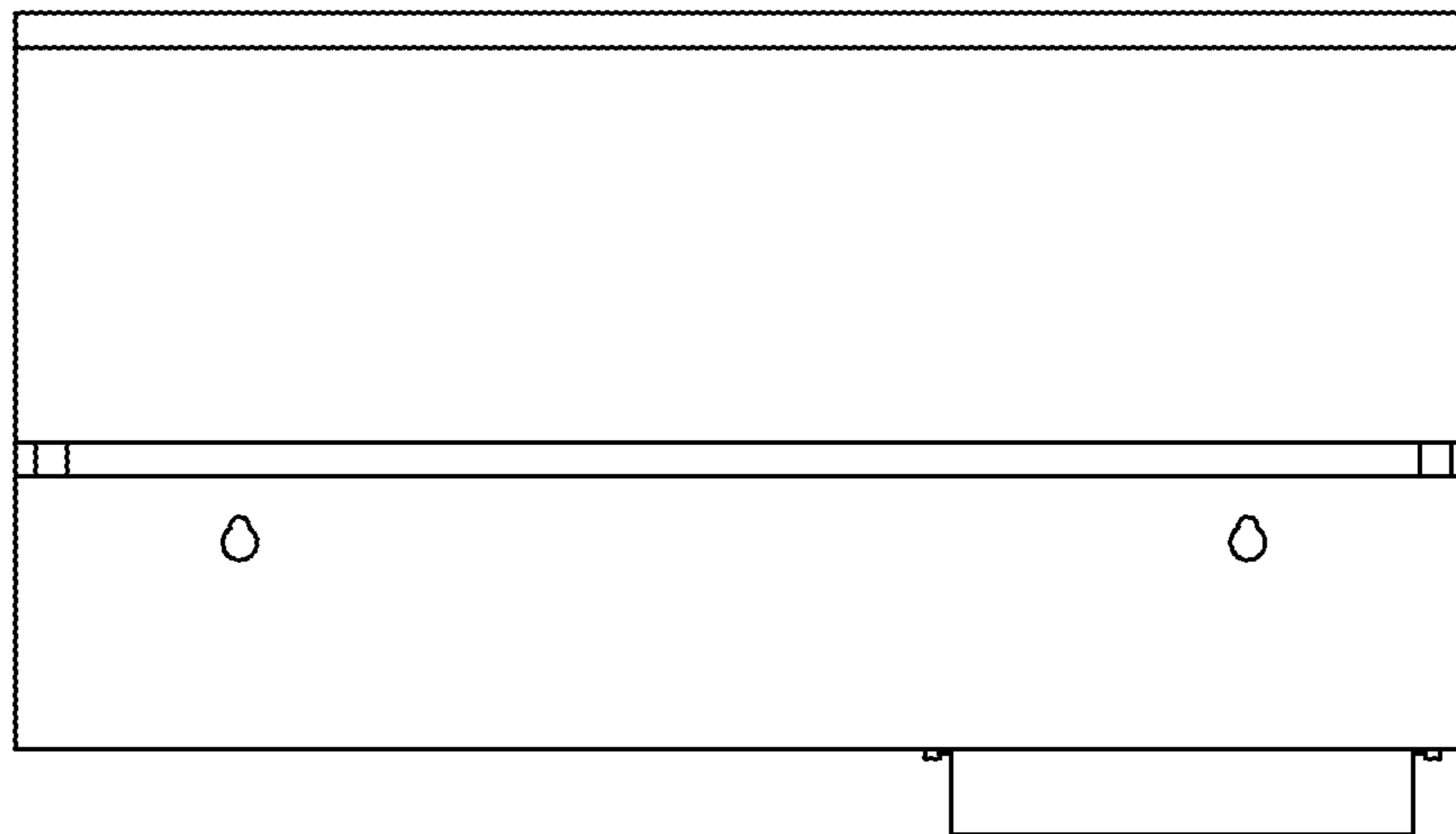


FIG. 10