



US00D764207S

(12) **United States Design Patent**  
**Goodman et al.**

(10) **Patent No.:** **US D764,207 S**  
(45) **Date of Patent:** **\*\* Aug. 23, 2016**

- (54) **PAPER TOWEL HOLDER**
- (71) Applicant: **Spectrum Diversified Designs, Inc.**,  
Streetsboro, OH (US)
- (72) Inventors: **Sheldon H. Goodman**, Solon, OH (US);  
**Phaysouk Xayoiphonh**, Akron, OH  
(US)
- (73) Assignee: **Spectrum Diversified Designs, LLC**,  
Cleveland, OH (US)

D431,947	S	*	10/2000	Kopcak	.....	D6/523
D448,592	S	*	10/2001	McBride	.....	D6/522
D450,503	S	*	11/2001	Gottwald	.....	D6/523
6,345,797	B1	*	2/2002	Ming-Hsiao	.....	A47K 10/40 211/105.1
D477,481	S	*	7/2003	Ouano	.....	D6/523
D532,228	S	*	11/2006	Snell	.....	D6/522
D576,435	S	*	9/2008	Snell	.....	D6/513
D668,134	S	*	10/2012	Barkdoll	.....	D8/370
D699,967	S	*	2/2014	Goodman	.....	D6/522
D701,058	S	*	3/2014	Goodman	.....	D6/522
2009/0078816	A1	*	3/2009	Tong	.....	A47K 10/3836 242/597

(\*\*) Term: **14 Years**

(21) Appl. No.: **29/518,603**

(22) Filed: **Feb. 25, 2015**

(51) **LOC (10) Cl.** ..... **23-02**

(52) **U.S. Cl.**  
USPC ..... **D6/522**

(58) **Field of Classification Search**  
USPC ..... D6/518-523; D8/300, 370, 315;  
108/28-29; 211/13.1, 16, 85.5, 86.01,  
211/87.01, 88.04, 100, 105.1, 105.2, 106,  
211/113, 123, 181.1, 182-183; 248/49,  
248/175, 176.1, 200, 201, 205.1, 251, 302,  
248/309.1, 315; 242/570, 590, 595-598;  
D25/45  
CPC ..... A47K 10/3836; A47K 10/38  
See application file for complete search history.

(56) **References Cited**

**U.S. PATENT DOCUMENTS**

- 2,936,148 A \* 5/1960 Gralawicz ..... A47G 25/0607  
211/100
- D223,416 S \* 4/1972 Marshall ..... D6/328

\* cited by examiner

*Primary Examiner* — David Muller

*Assistant Examiner* — Nathan Johnston

(74) *Attorney, Agent, or Firm* — Benesch, Friedlander,  
Coplan & Aronoff LLP

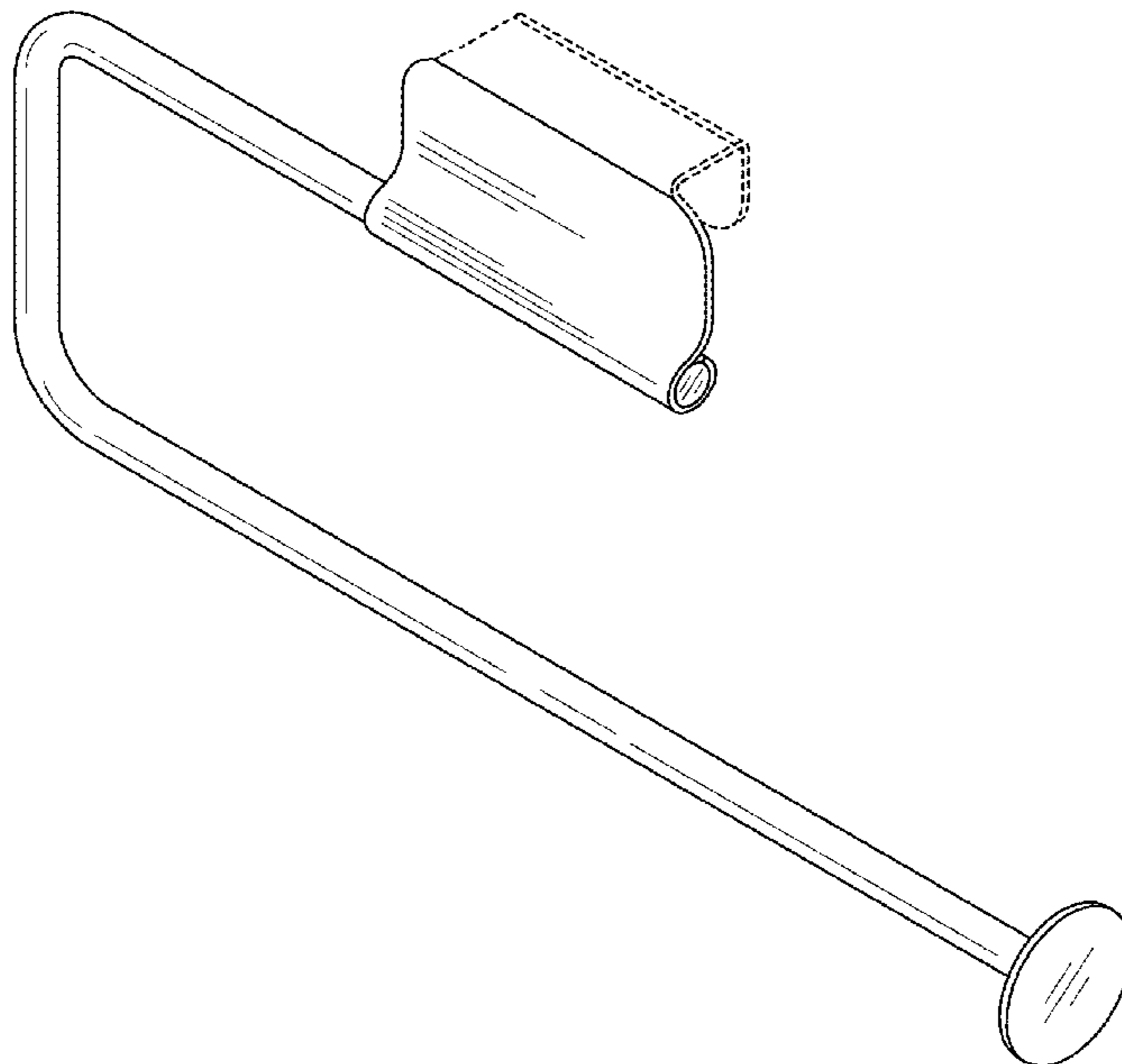
(57) **CLAIM**

What is claimed is the ornamental design for a paper towel holder, as shown and described.

**DESCRIPTION**

FIG. 1 is a perspective view of a paper towel holder showing our new design;  
FIG. 2 is a front elevation view thereof;  
FIG. 3 is a rear elevation view thereof;  
FIG. 4 is a right side elevation view thereof;  
FIG. 5 is a left side elevation view thereof;  
FIG. 6 is a top plan view thereof; and,  
FIG. 7 is a bottom plan view thereof.  
The components of the display shown in broken lines illustrate portions of the paper towel holder form no part of the claimed design.

**1 Claim, 4 Drawing Sheets**



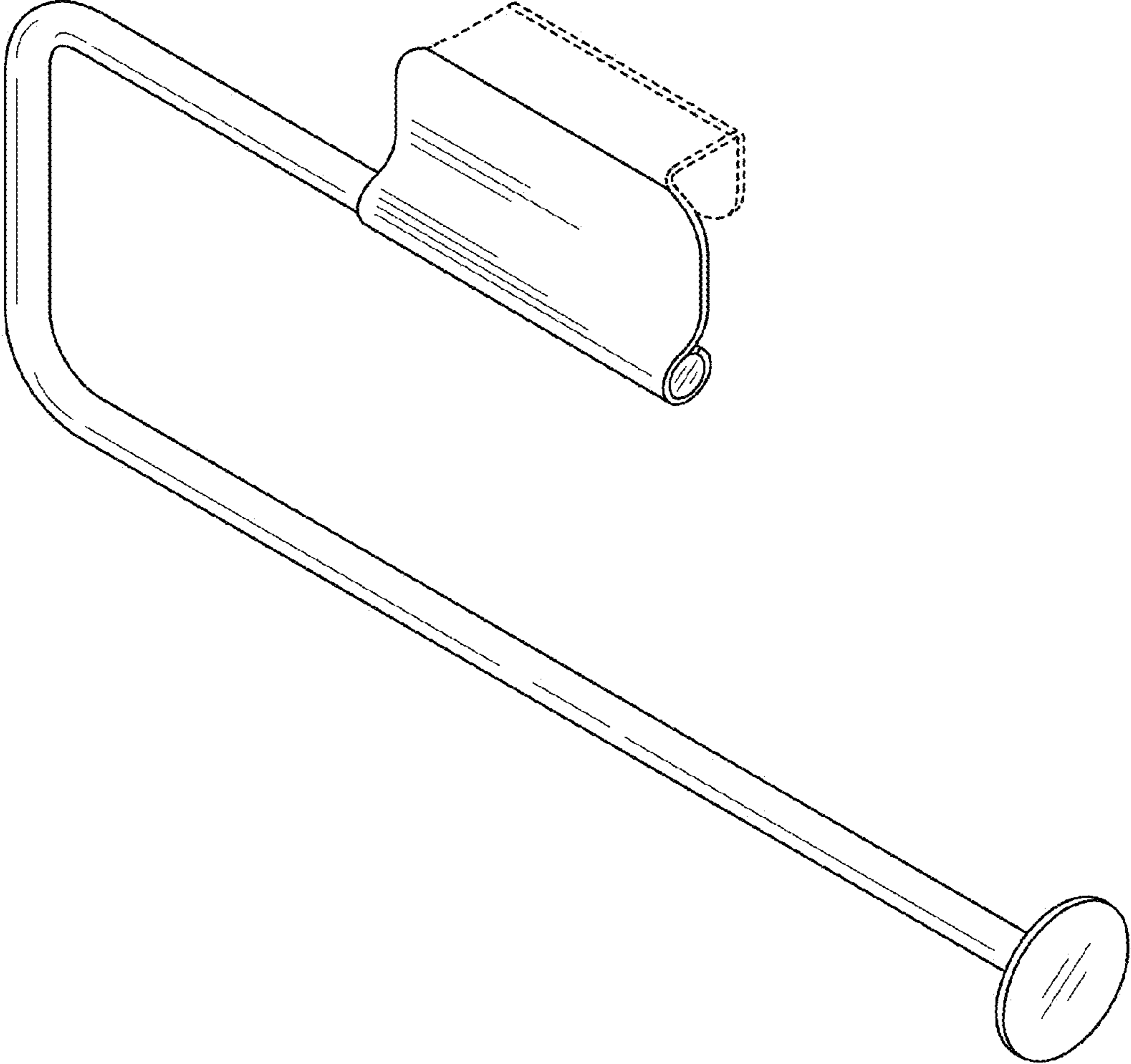


FIG. 1

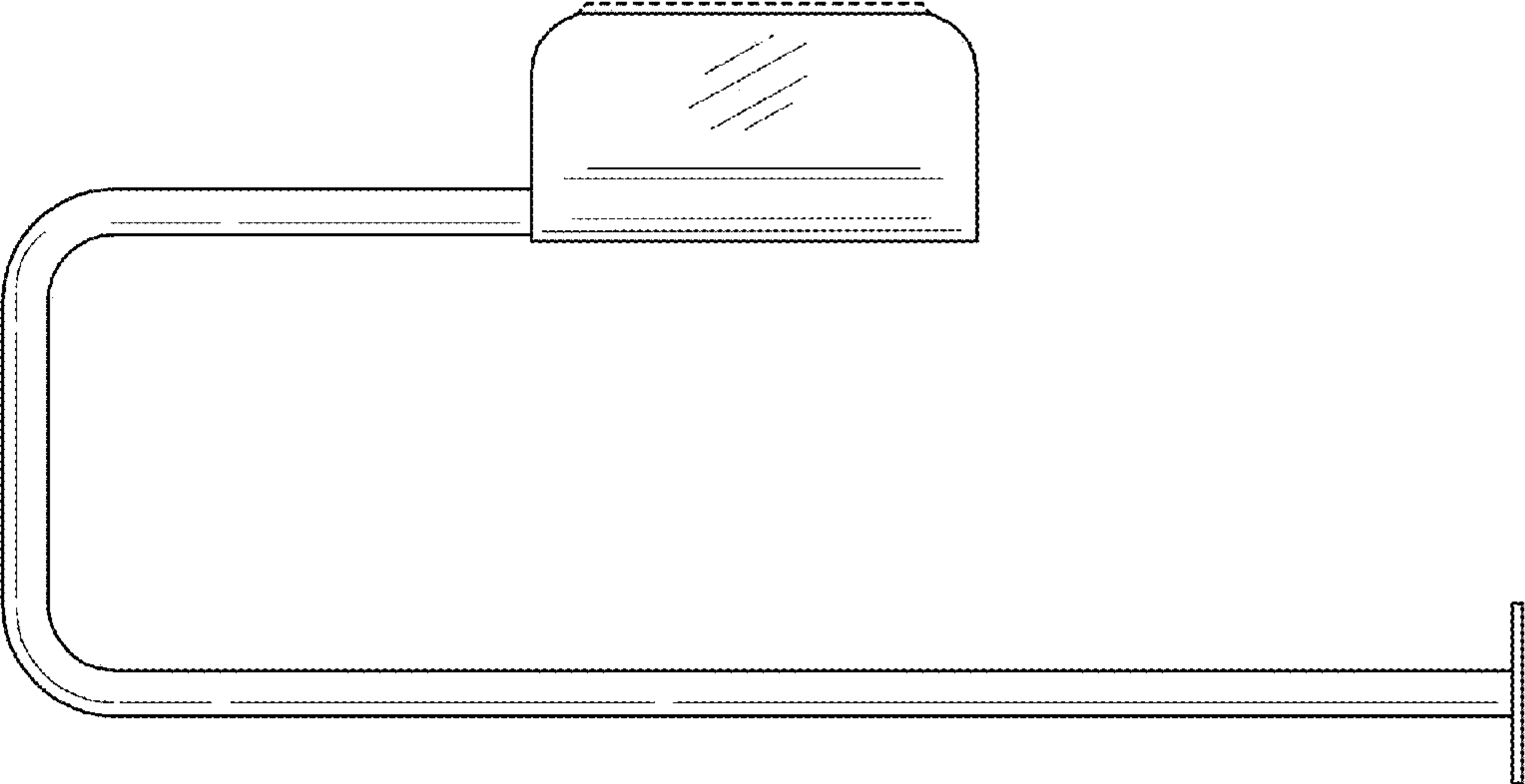


FIG. 2

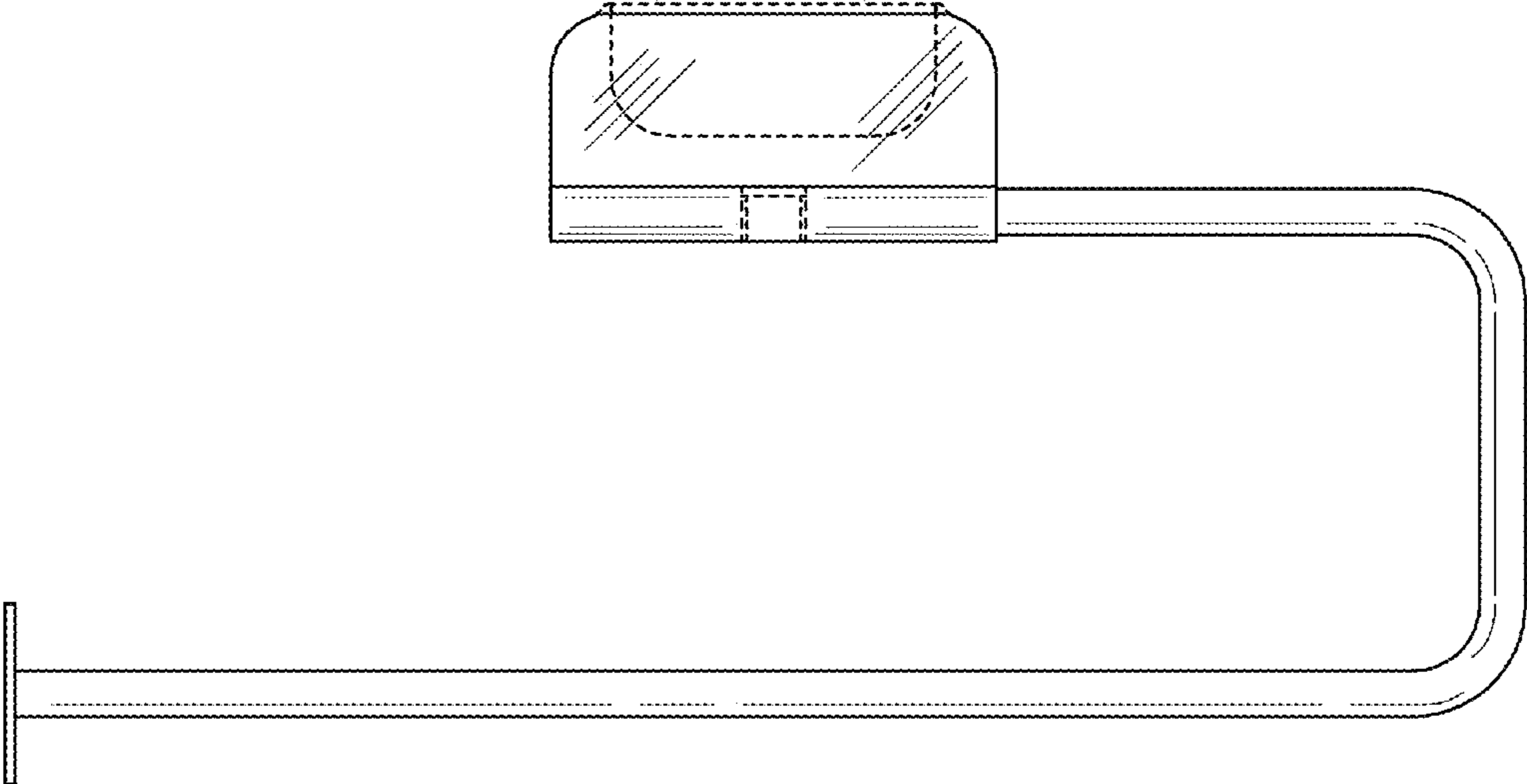


FIG. 3

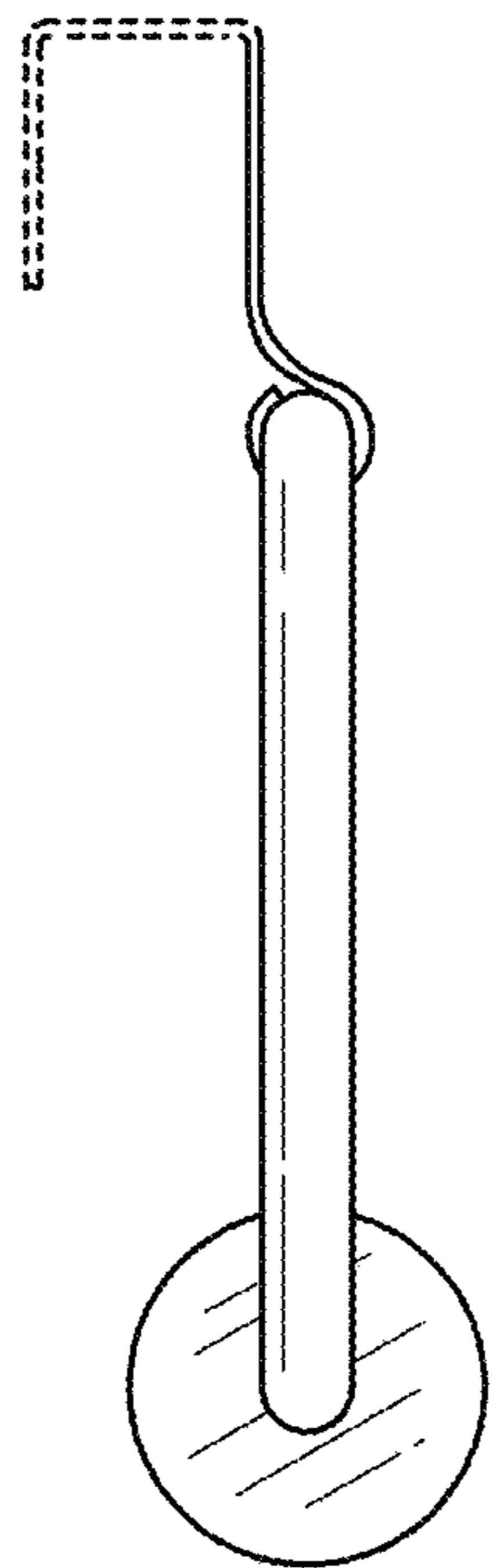


FIG. 4

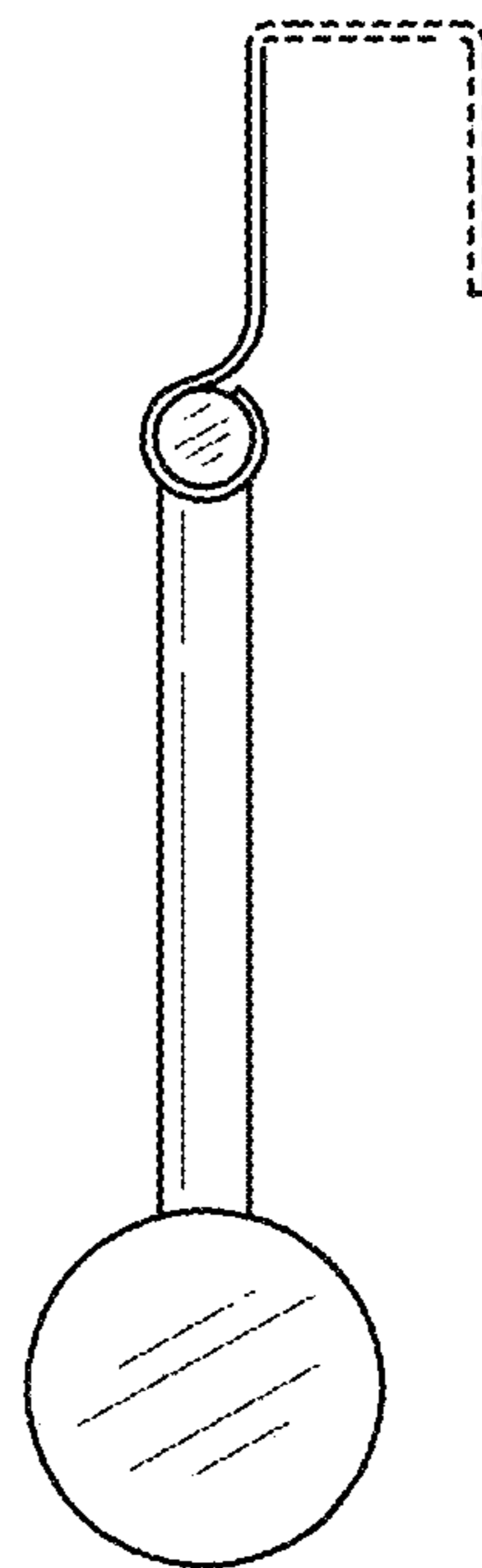


FIG. 5



FIG. 6

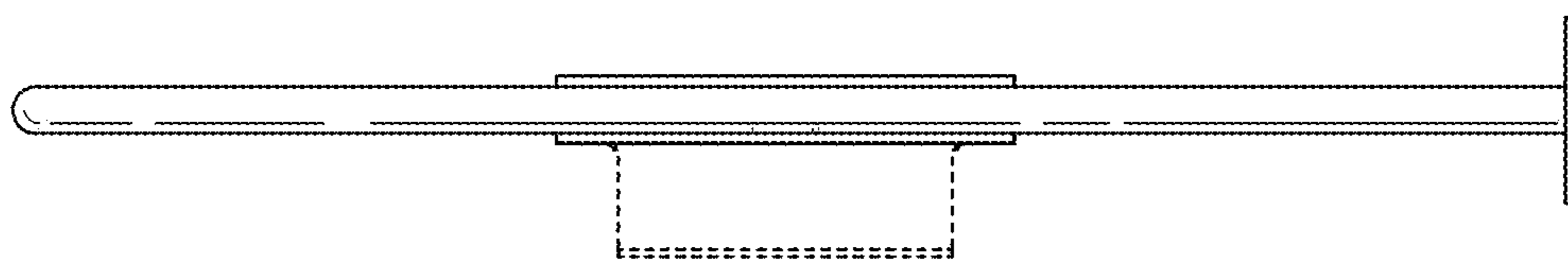


FIG. 7