



US00D764206S

(12) **United States Design Patent**
Lin

(10) **Patent No.:** **US D764,206 S**

(45) **Date of Patent:** **** Aug. 23, 2016**

- (54) **TABLETOP OF A PERSONAL TRAY TABLE**
- (71) Applicant: **Zhuhai Shichang Metals Ltd.**, Zhuahi, Guangdong Province (CN)
- (72) Inventor: **Wen-Sheng Lin**, Kaohsiung (TW)
- (73) Assignee: **Zhuhai Shichang Metals Ltd.** (CN)
- (**) Term: **15 Years**
- (21) Appl. No.: **29/542,882**
- (22) Filed: **Oct. 19, 2015**
- (51) **LOC (10) Cl.** **06-06**
- (52) **U.S. Cl.**
USPC **D6/406.1**
- (58) **Field of Classification Search**
USPC D6/406.1, 406.3, 406.5, 685-686, 696, D6/696.3, 692.4, 691.6, 656.13
CPC A47B 97/14; A47B 9/00; A47B 13/06; A47B 17/02
See application file for complete search history.

(56) **References Cited**

U.S. PATENT DOCUMENTS

544,603	A	8/1895	Thompson	
1,394,526	A *	10/1921	Amsden	A47B 23/046 108/141
2,150,397	A *	3/1939	Owen	A47B 23/046 108/8
D122,925	S *	10/1940	Holden et al.	D6/406.2
2,299,909	A *	10/1942	Linderme	A47B 3/0818 248/158
2,604,884	A *	7/1952	Walker	A47J 37/0772 108/106
2,675,286	A	4/1954	Derman	
2,968,059	A	1/1961	Munson	
3,026,079	A *	3/1962	Stack	A61G 7/0503 248/122.1
3,217,672	A *	11/1965	Haughey	A47B 9/12 108/106
3,358,620	A *	12/1967	Parigi	A47B 27/14 108/10
3,853,297	A *	12/1974	Drolet	A47B 9/08 108/147.19

D236,045	S *	7/1975	Petrie	D6/656.11
D236,775	S *	9/1975	Cowley	D6/656.11
3,903,812	A *	9/1975	Cowley	A47B 27/06 108/150
3,908,561	A *	9/1975	Cowley	A47B 27/06 108/136
D246,880	S *	1/1978	Miola	D24/183
4,248,161	A *	2/1981	Adair	A47B 27/02 108/6
D270,588	S *	9/1983	Kemple	D6/406.1
D289,588	S *	5/1987	Winzeler, III	D6/691.7
D290,072	S *	6/1987	Winzeler, III	D6/691.4
D296,851	S *	7/1988	Kelley	D6/656.11
4,970,968	A	11/1990	Mattesky	
D314,878	S *	2/1991	Hart	D6/691.3
RE33,645	E *	7/1991	Coote	B25H 5/00 211/70.6
D341,507	S *	11/1993	Harvey	D6/696.1
5,299,510	A	4/1994	Mattesky	
D353,287	S *	12/1994	Hemberger	D6/708.17

(Continued)

Primary Examiner — Kelley Donnelly
(74) *Attorney, Agent, or Firm* — Luedeka Neely Group, P.C.

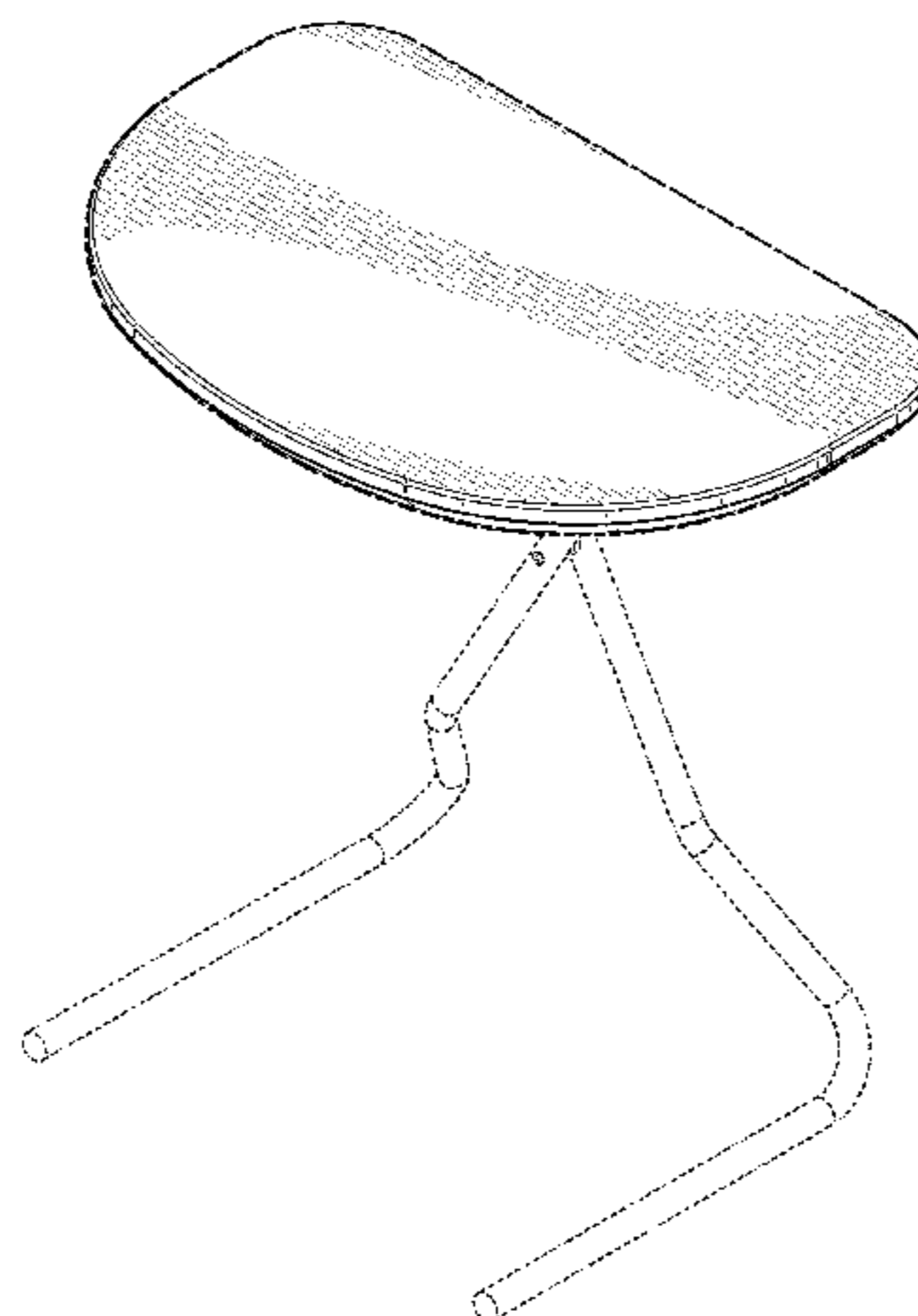
(57) **CLAIM**

The ornamental design for a tabletop of a personal tray table, as shown and described.

DESCRIPTION

FIG. 1 is a top perspective view of the tabletop of a personal tray table;
 FIG. 2 is a left side elevation view of the tabletop of a personal tray table;
 FIG. 3 is a right side elevation view of the tabletop of a personal tray table;
 FIG. 4 is a front elevation view of the tabletop of a personal tray table;
 FIG. 5 is a rear elevation view of the tabletop of a personal tray table;
 FIG. 6 is a top plan view of the tabletop of a personal tray table;
 FIG. 7 is a bottom plan view of the tabletop of a personal tray table; and,
 FIG. 8 is a bottom perspective view of the tabletop of a personal tray table.
 The broken lines shown in the figures are included for the purpose of illustrating environment and form no part of the claimed design.

1 Claim, 7 Drawing Sheets



(56)

References Cited

U.S. PATENT DOCUMENTS

5,460,392 A * 10/1995 Hansen B25H 5/00
280/32.5
5,465,671 A * 11/1995 Genest A47B 23/00
108/147
5,771,613 A * 6/1998 Geils D05C 1/02
108/150
D417,980 S * 12/1999 Fraquelli D6/656.15
D441,224 S * 5/2001 Scheper D6/692.3
6,327,982 B1 * 12/2001 Jackson A47B 23/046
108/142
6,578,500 B2 * 6/2003 Malizia A47B 3/00
108/115
6,688,634 B2 * 2/2004 Noffsinger B25H 3/06
280/47.19
6,694,891 B1 * 2/2004 Lai A47B 3/0818
108/116
6,817,303 B2 * 11/2004 Gosselin A47B 9/14
108/115
D515,850 S * 2/2006 Duke D6/693.3
7,059,254 B2 6/2006 Strong et al.
D531,839 S * 11/2006 Lade D6/692.3
D548,496 S * 8/2007 Samtani D6/656.13
7,263,932 B2 9/2007 Winter et al.

7,341,006 B2 * 3/2008 Hernandez A47B 3/0815
108/115
D595,070 S * 6/2009 Wacker D6/708.17
7,631,604 B2 * 12/2009 Huang A47B 3/08
108/115
D611,737 S * 3/2010 Miller D6/692
D612,169 S * 3/2010 Chang D6/656.13
D614,892 S * 5/2010 Miller D6/708
D615,324 S * 5/2010 Yamamoto D6/656.15
D620,276 S * 7/2010 Miller D6/406.2
7,823,518 B2 * 11/2010 Phillips A47B 21/00
108/144.11
D640,486 S * 6/2011 Saelid D6/656.15
D655,111 S * 3/2012 Kincaid D6/708
D671,771 S * 12/2012 Heyvaerts D6/691.4
D694,044 S * 11/2013 Copeland D6/656.15
D720,948 S * 1/2015 Gonzalez D6/656.13
2007/0234934 A1 * 10/2007 Branch A47B 23/046
108/115
2007/0289506 A1 * 12/2007 Branch A47B 23/046
108/116
2009/0307843 A1 * 12/2009 Hookway A47B 23/046
5/425
2014/0338573 A1 * 11/2014 Rassat A47C 5/04
108/150

* cited by examiner

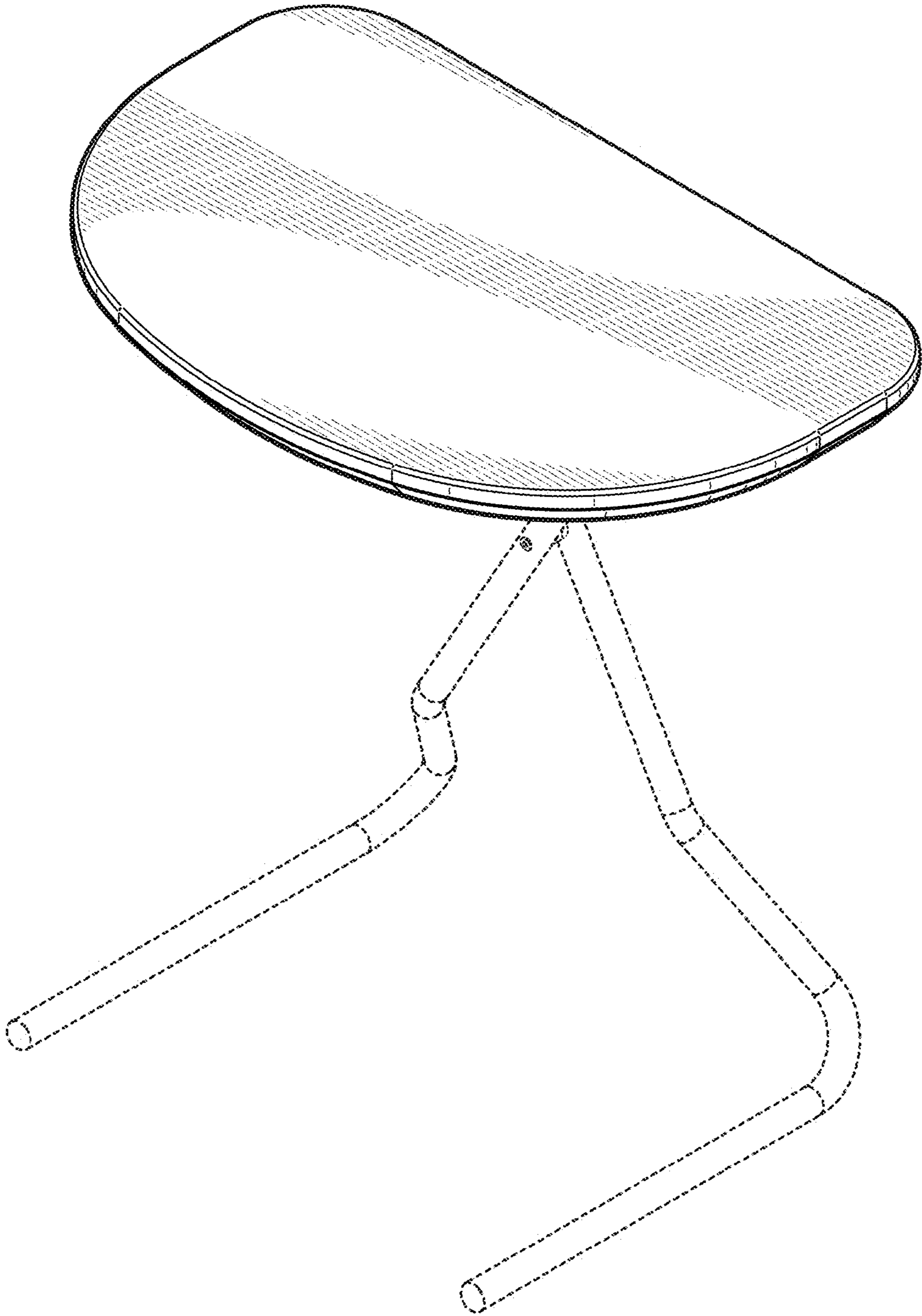


FIG. 1

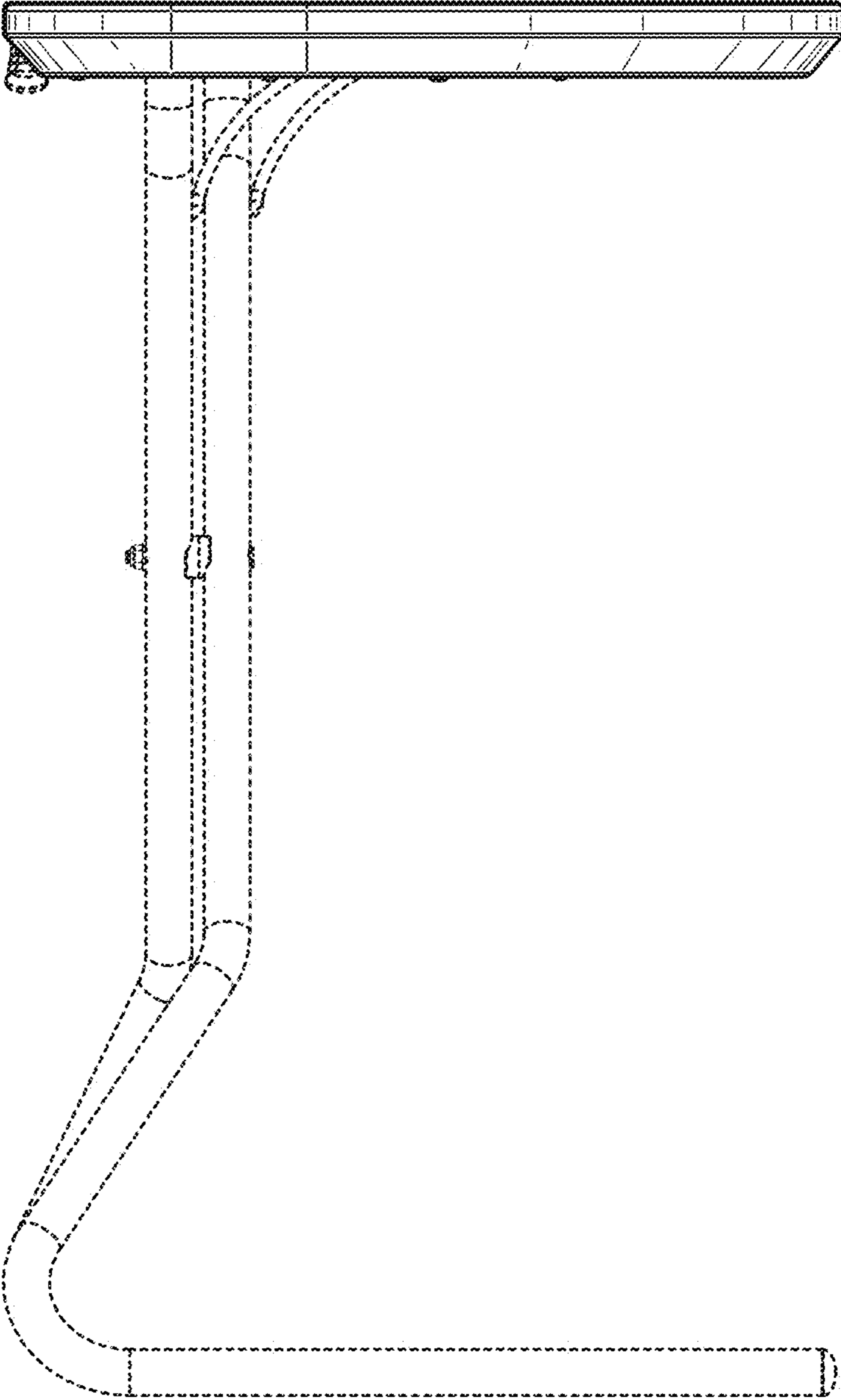


FIG. 2

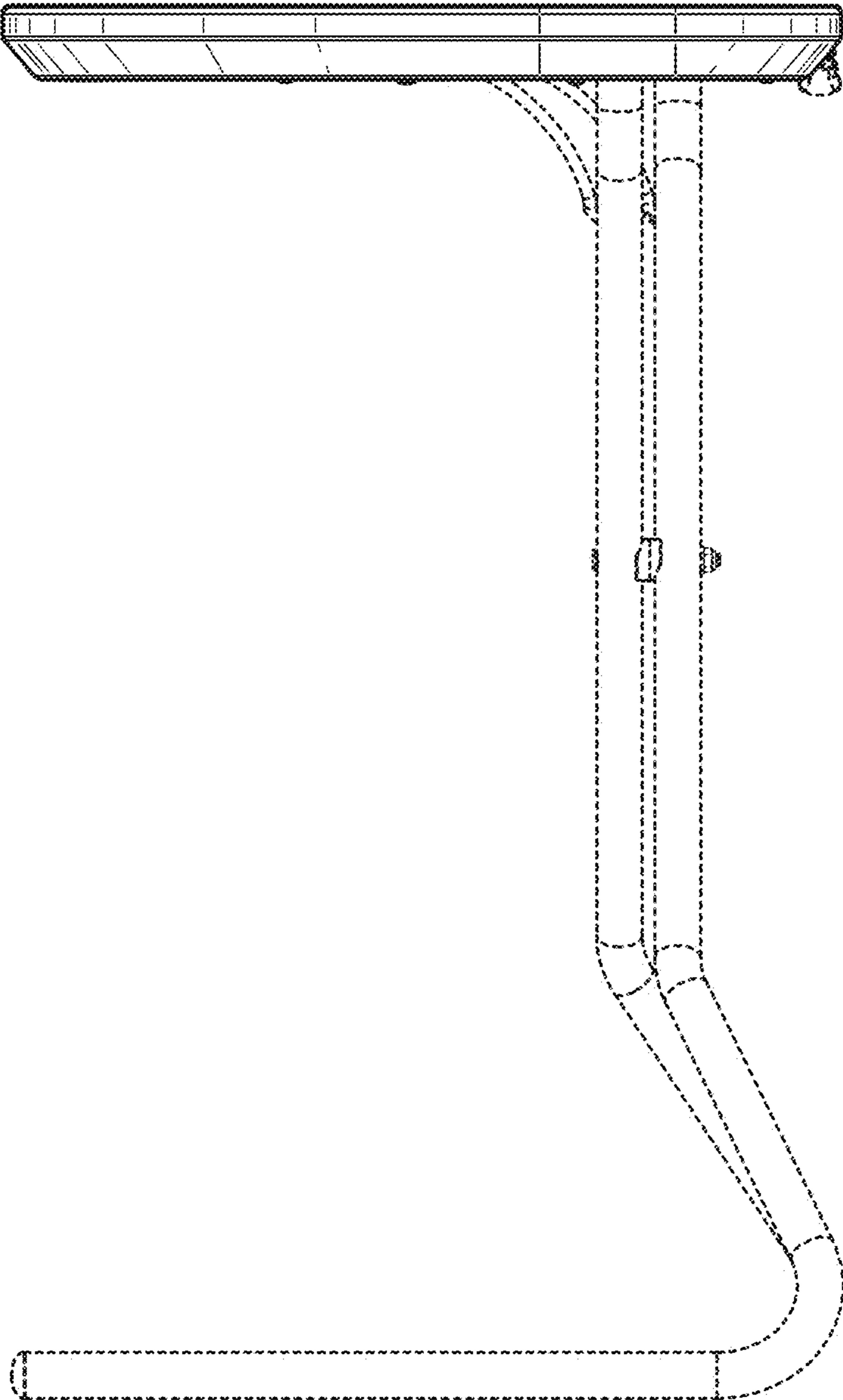


FIG. 3

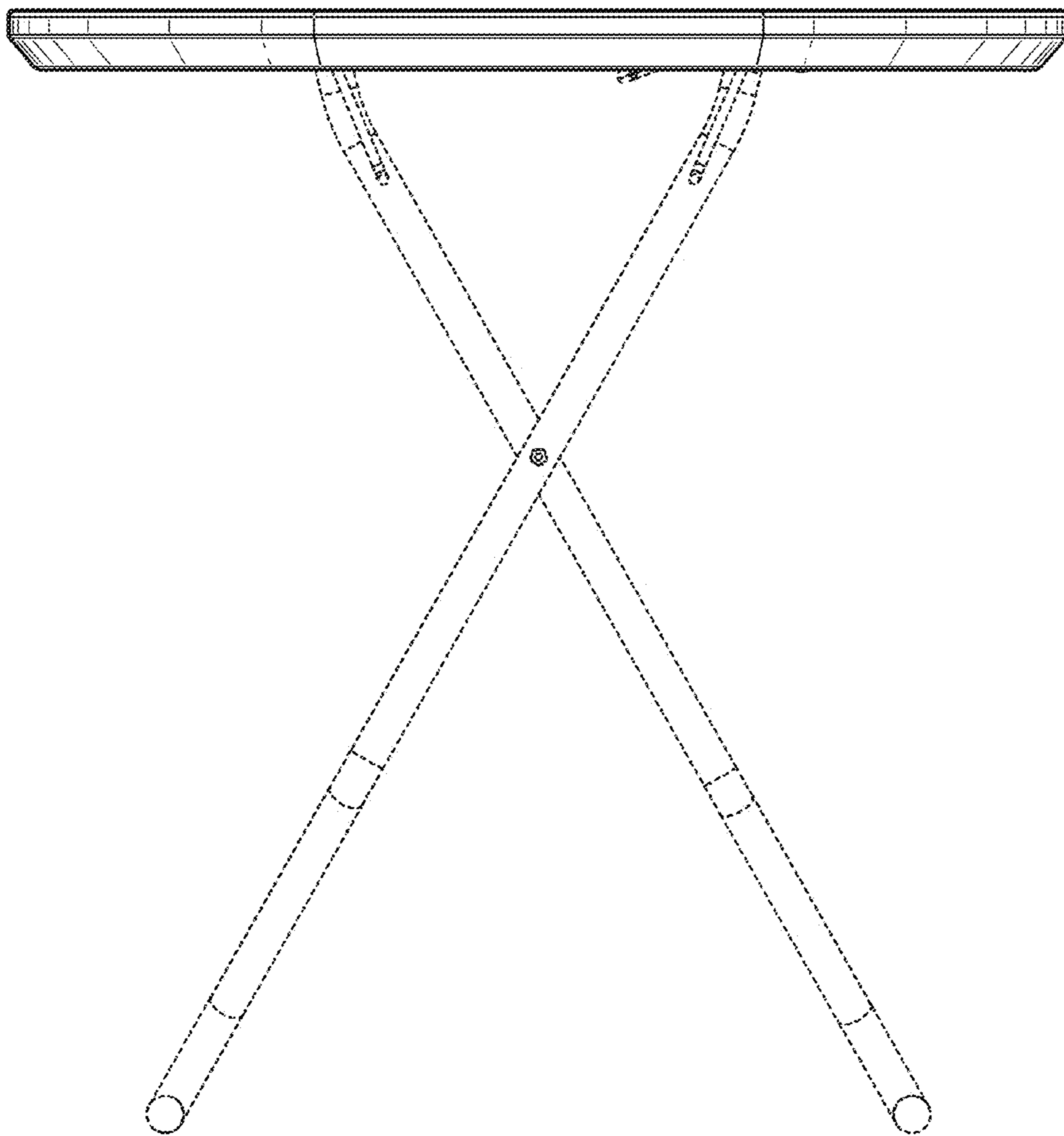


FIG. 4

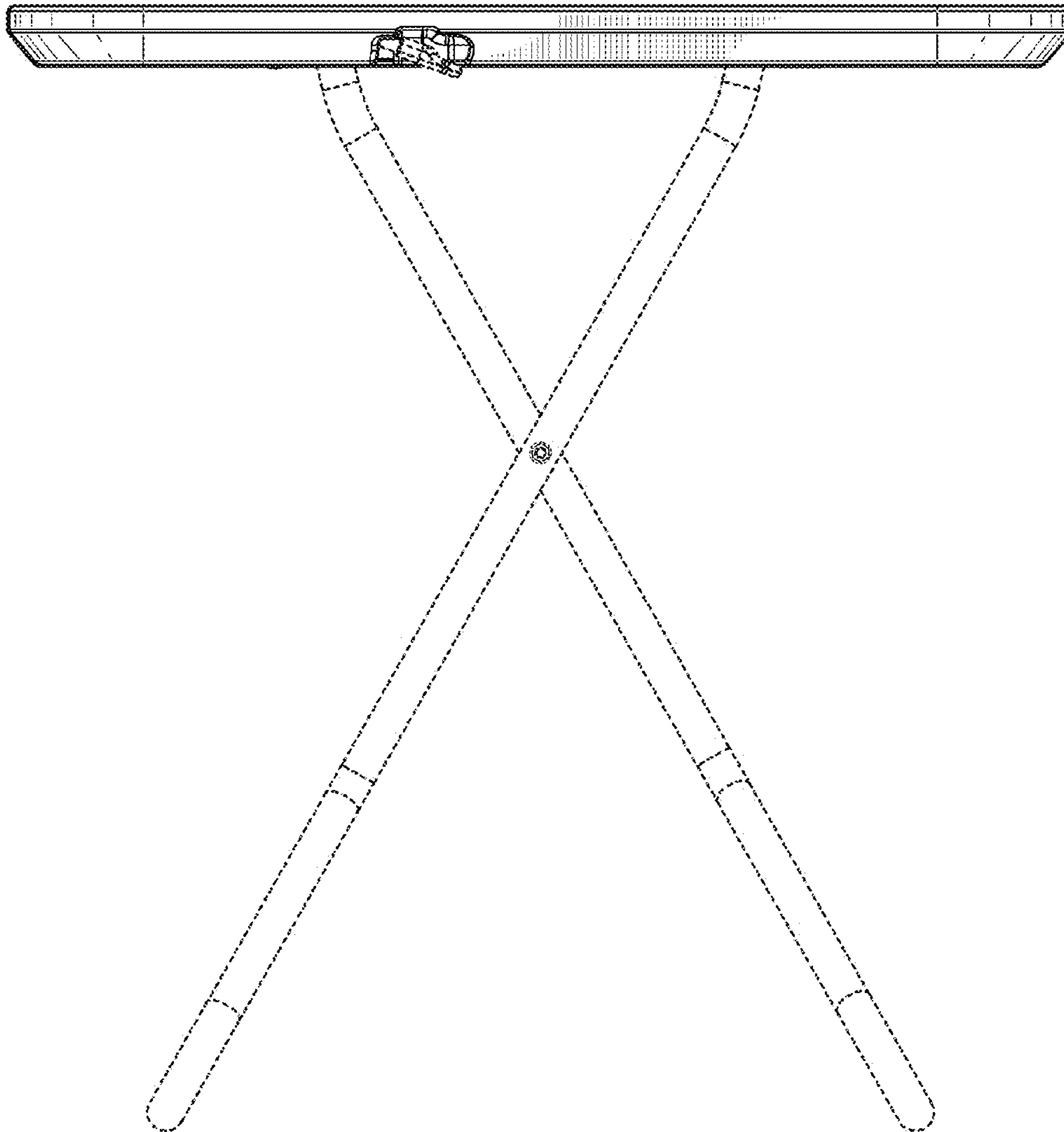


FIG. 5

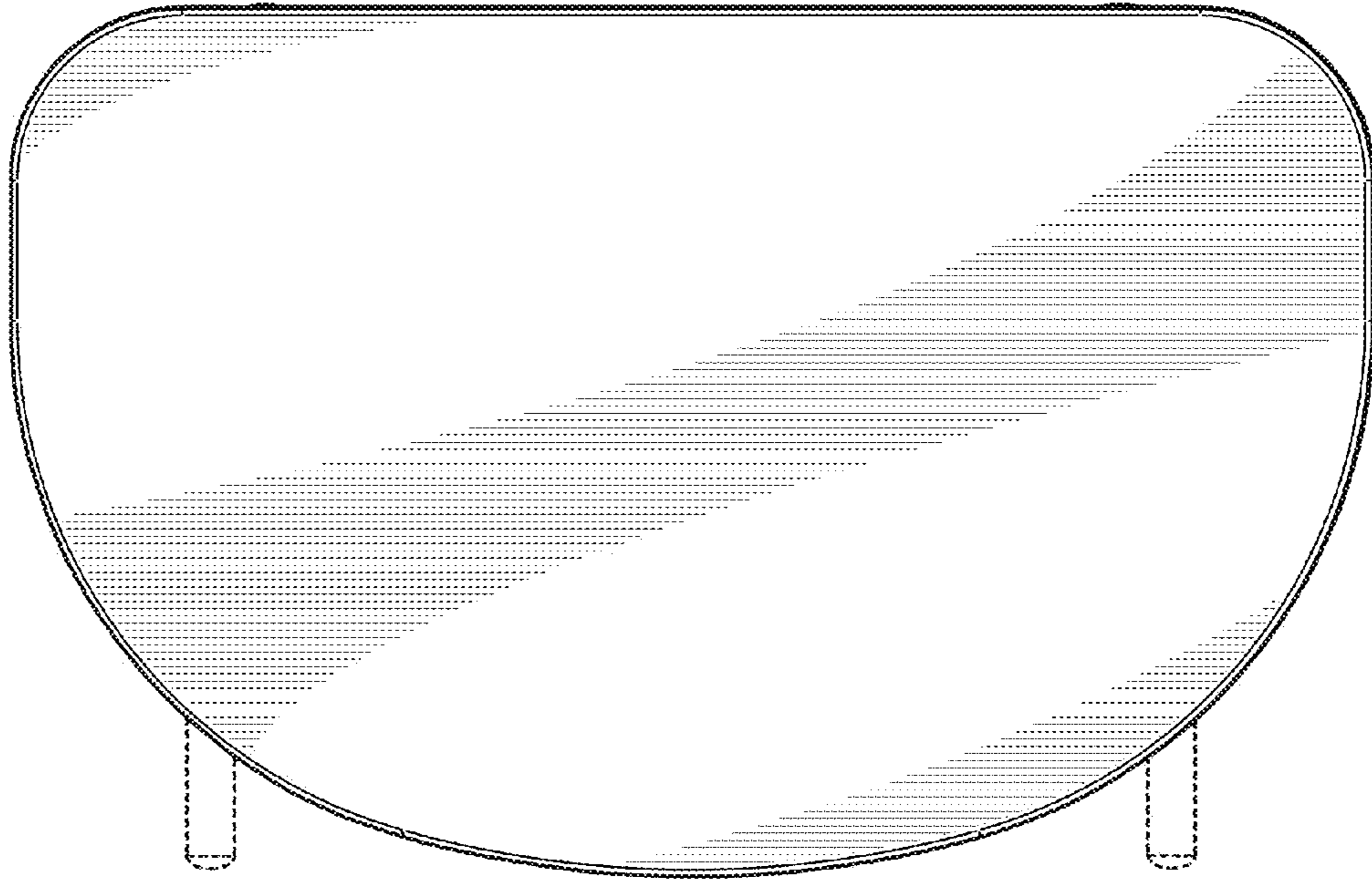


FIG. 6

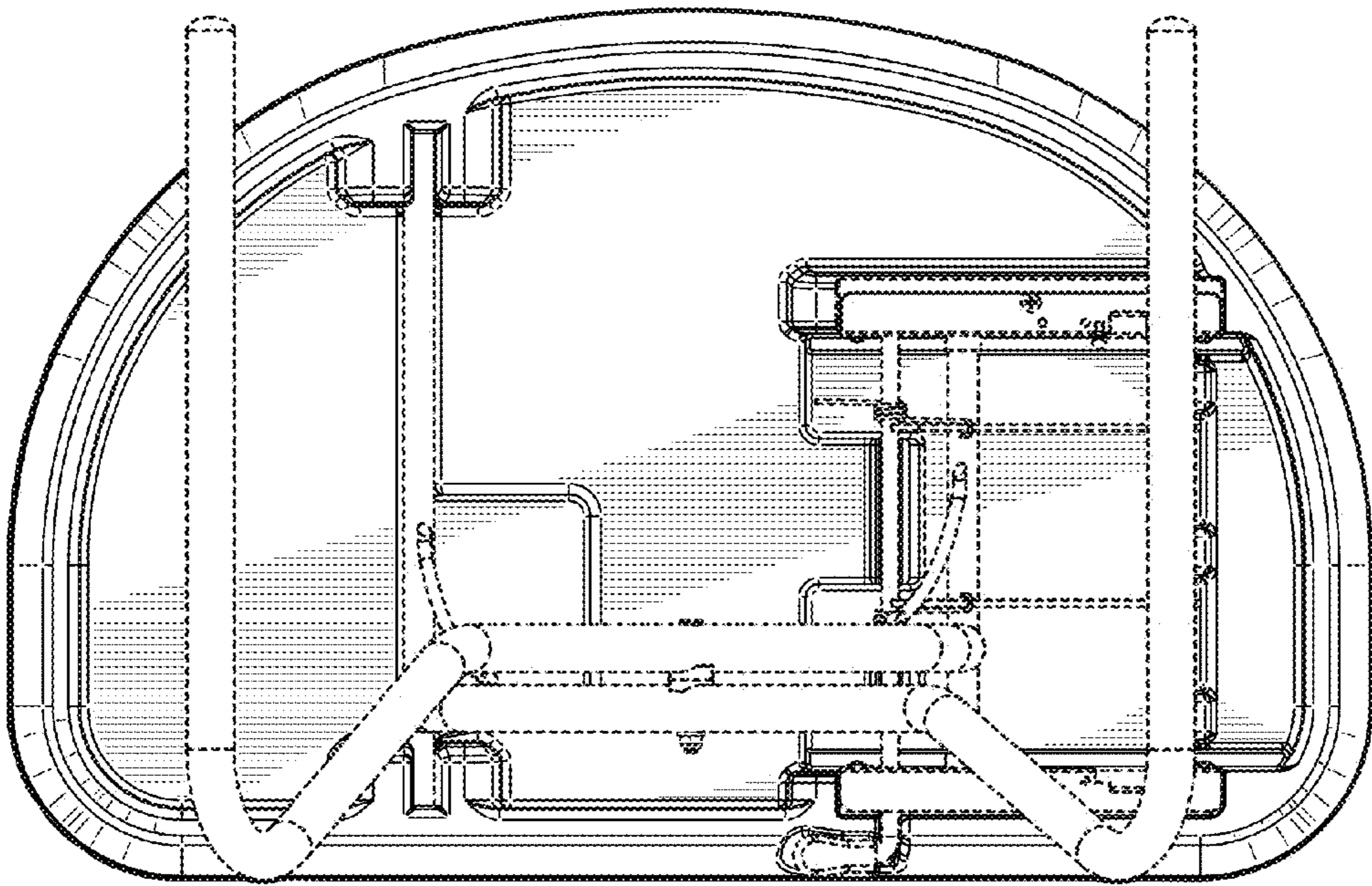


FIG. 7

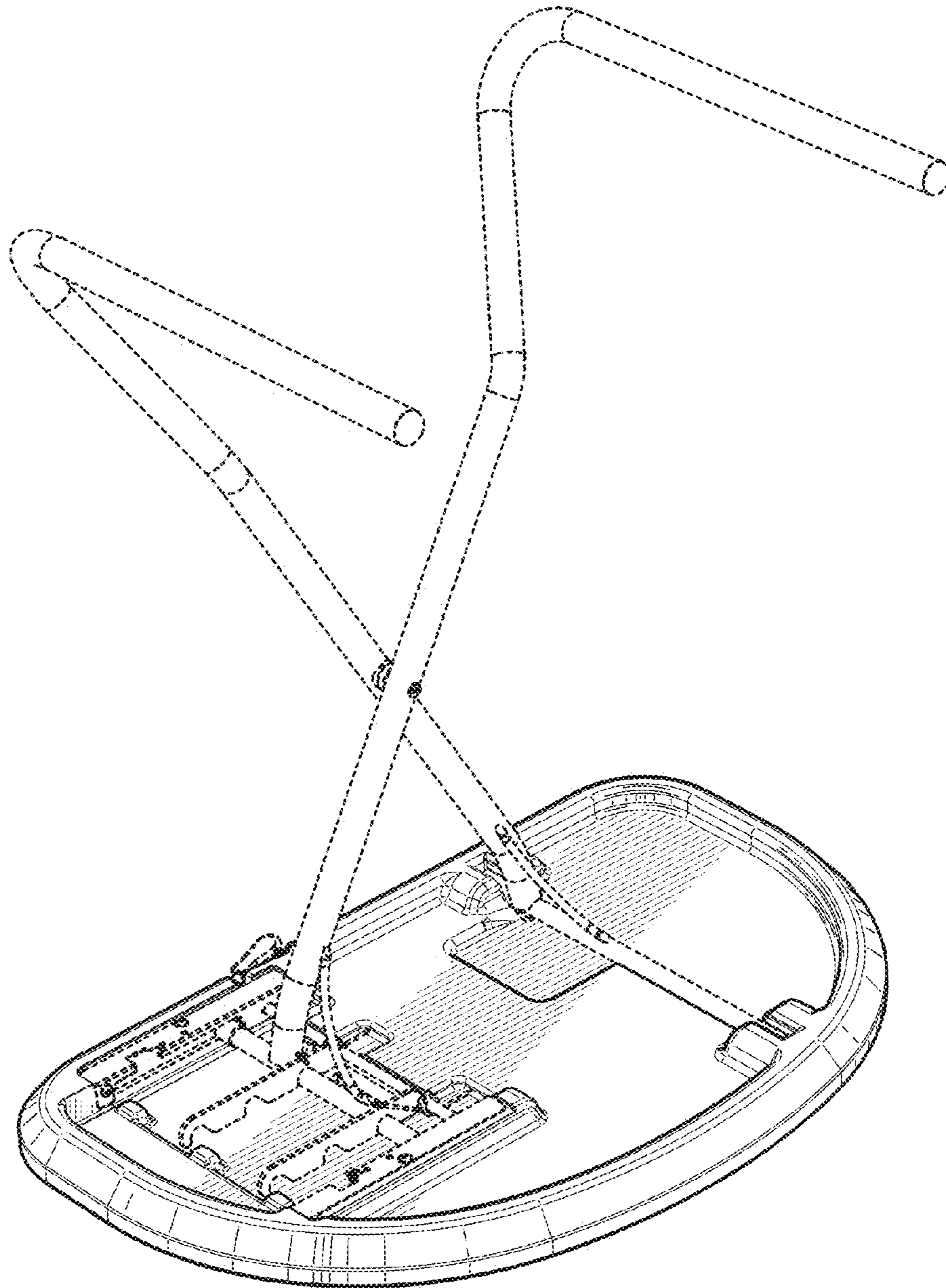


FIG. 8

UNITED STATES PATENT AND TRADEMARK OFFICE
CERTIFICATE OF CORRECTION

PATENT NO. : D764,206 S
APPLICATION NO. : 29/542882
DATED : August 23, 2016
INVENTOR(S) : Wen-Sheng Lin

Page 1 of 1

It is certified that error appears in the above-identified patent and that said Letters Patent is hereby corrected as shown below:

In item (71) of the patent grant title page, the city listed for the Applicant should be correctly spelled as --Zhuhai--.

Signed and Sealed this
Twenty-ninth Day of November, 2016



Michelle K. Lee
Director of the United States Patent and Trademark Office