

US00D764204S

(12) **United States Design Patent** (10) **Patent No.:** **US D764,204 S**
Medley et al. (45) **Date of Patent:** **** Aug. 23, 2016**

(54) **BED FRAME**

D648,952 S * 11/2011 Domack D6/393
D662,723 S 7/2012 Hoff et al.
D668,471 S 10/2012 Hoff et al.

(71) Applicant: **Ashley Furniture Industries, Inc.**,
Arcadia, WI (US)

OTHER PUBLICATIONS

(72) Inventors: **Brian M. Medley**, Onalaska, WI (US);
Philip M. Hoff, Trempealeau, WI (US);
Harry T. Janke, Trempealeau, WI (US)

Ashley Furniture, Photograph of Bed, B251, (2013 or earlier), 1 page.
Ashley Furniture, Photograph of Bed, B170, (2013 or earlier), 1 page.
Ashley Furniture, Photograph of Bed, B321, (2013 or earlier), 1 page.
Ashley Furniture, Photograph of Bed, B287, (2013 or earlier), 1 page.
Ashley Furniture, Reference Image 1, (2013 or earlier), 1 page.

(73) Assignee: **ASHLEY FURNITURE INDUSTRIES, INC.**, Arcadia, WI (US)

(**) Term: **14 Years**

* cited by examiner

(21) Appl. No.: **29/488,526**

(22) Filed: **Apr. 21, 2014**

Primary Examiner — Janice Seeger

(51) **LOC (10) Cl.** **06-02**

(74) *Attorney, Agent, or Firm* — McAndrews, Held & Malloy, Ltd.

(52) **U.S. Cl.**
USPC **D6/393**

(57) **CLAIM**

(58) **Field of Classification Search**
USPC D6/382, 393–395, 718.13, 718.21,
D6/718.22, 718.24
CPC A47C 19/00; A47C 19/02; A47C 19/21;
A47C 19/022
See application file for complete search history.

The ornamental design for a bed frame, as shown and described.

DESCRIPTION

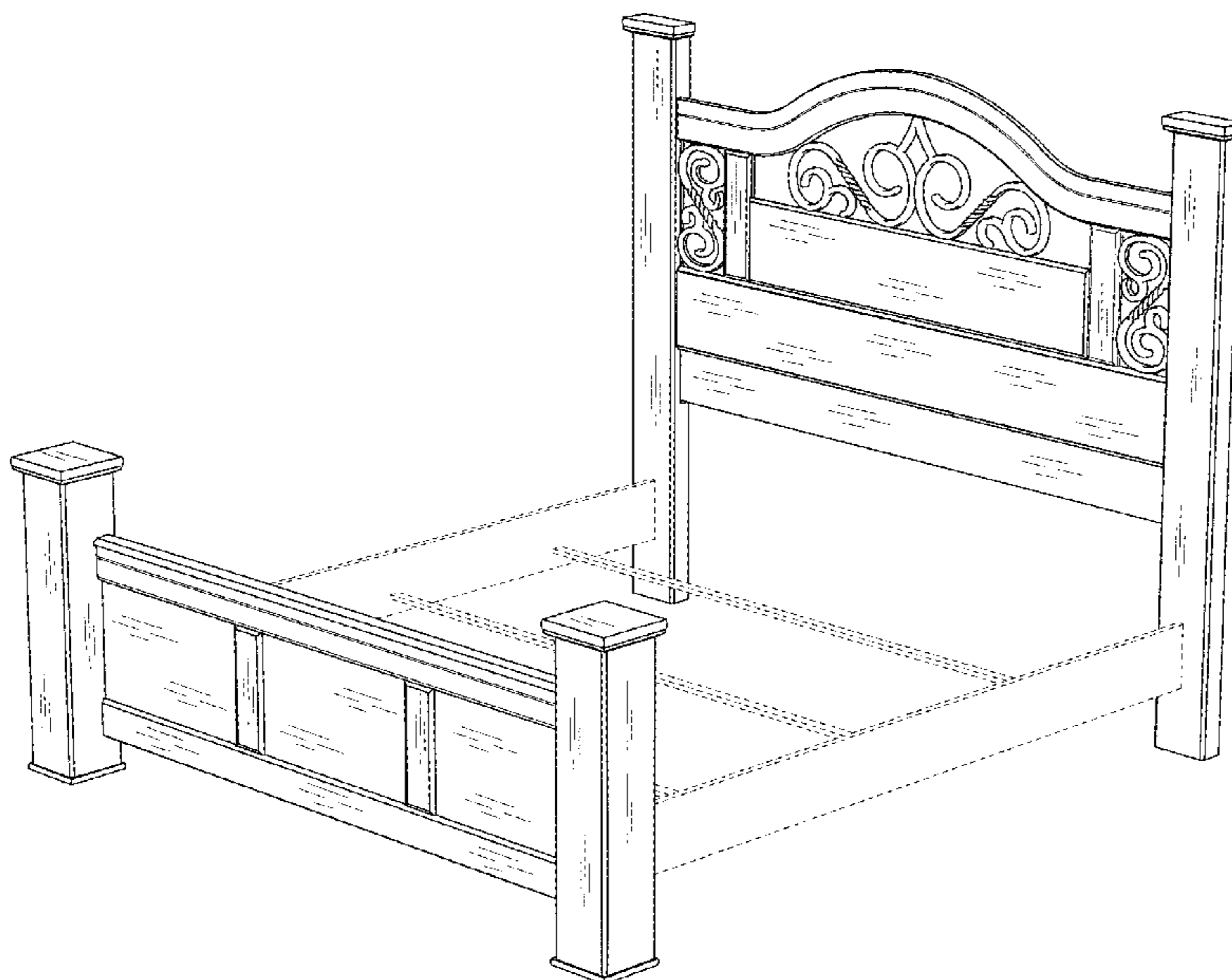
(56) **References Cited**

U.S. PATENT DOCUMENTS

D340,147 S 10/1993 Black
D387,919 S 12/1997 Keller et al.
D400,378 S 11/1998 Hazen et al.
D420,234 S * 2/2000 Zaidman D6/718.19
D458,472 S 6/2002 Risdon
D646,909 S 10/2011 Domack et al.

FIG. 1 is a front perspective view of a bed frame showing our new design;
FIG. 2 is a front elevation view thereof;
FIG. 3 is a right side elevation view thereof; the left side elevation view being a mirror image thereof; and,
FIG. 4 is a top plan view thereof.
The dashed broken lines illustrating portions of the bed frame are for environmental purposes only and form no part of the claimed design. Views of the bed frame that are not shown in the figures form no part of the claimed design.

1 Claim, 3 Drawing Sheets



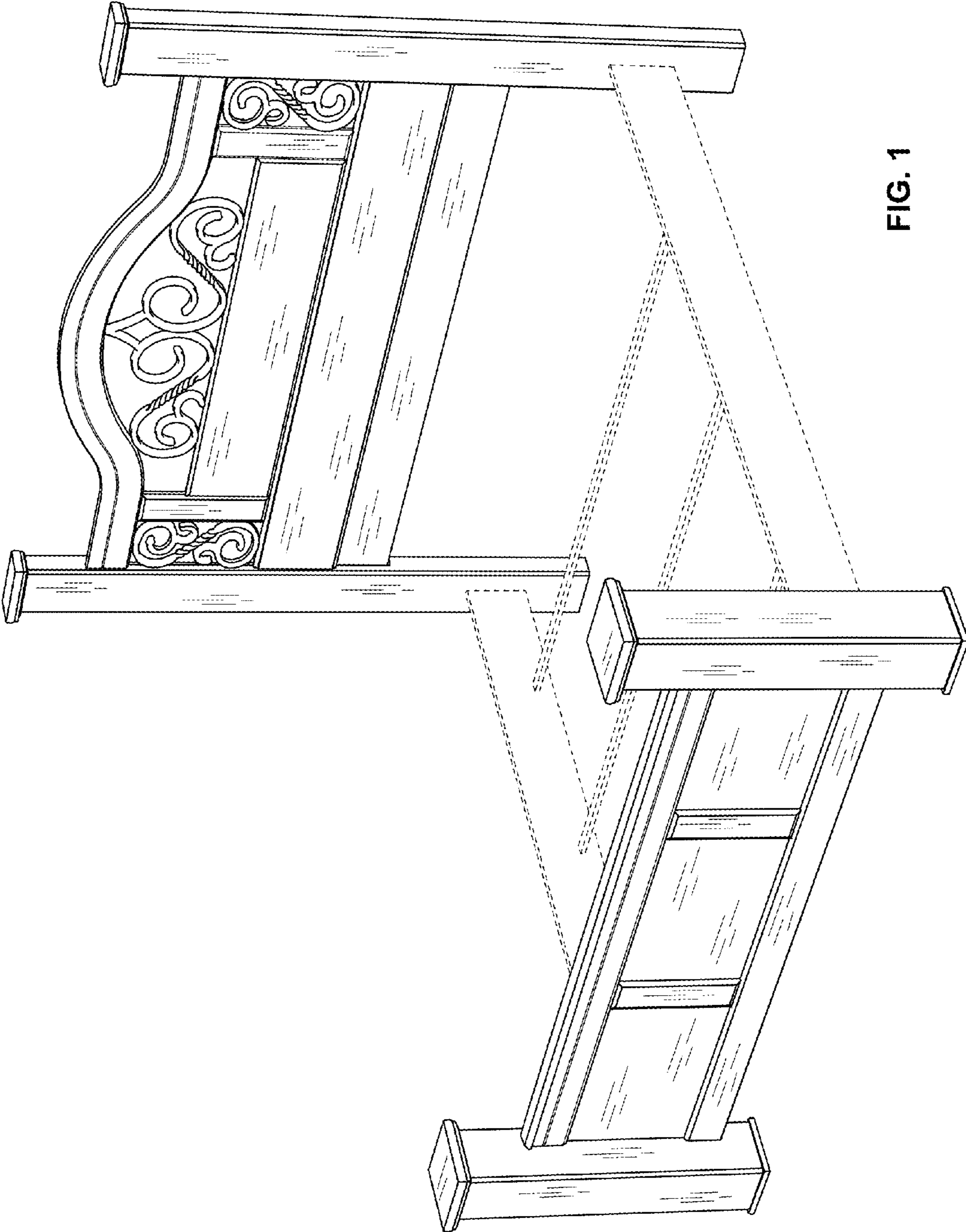


FIG. 1

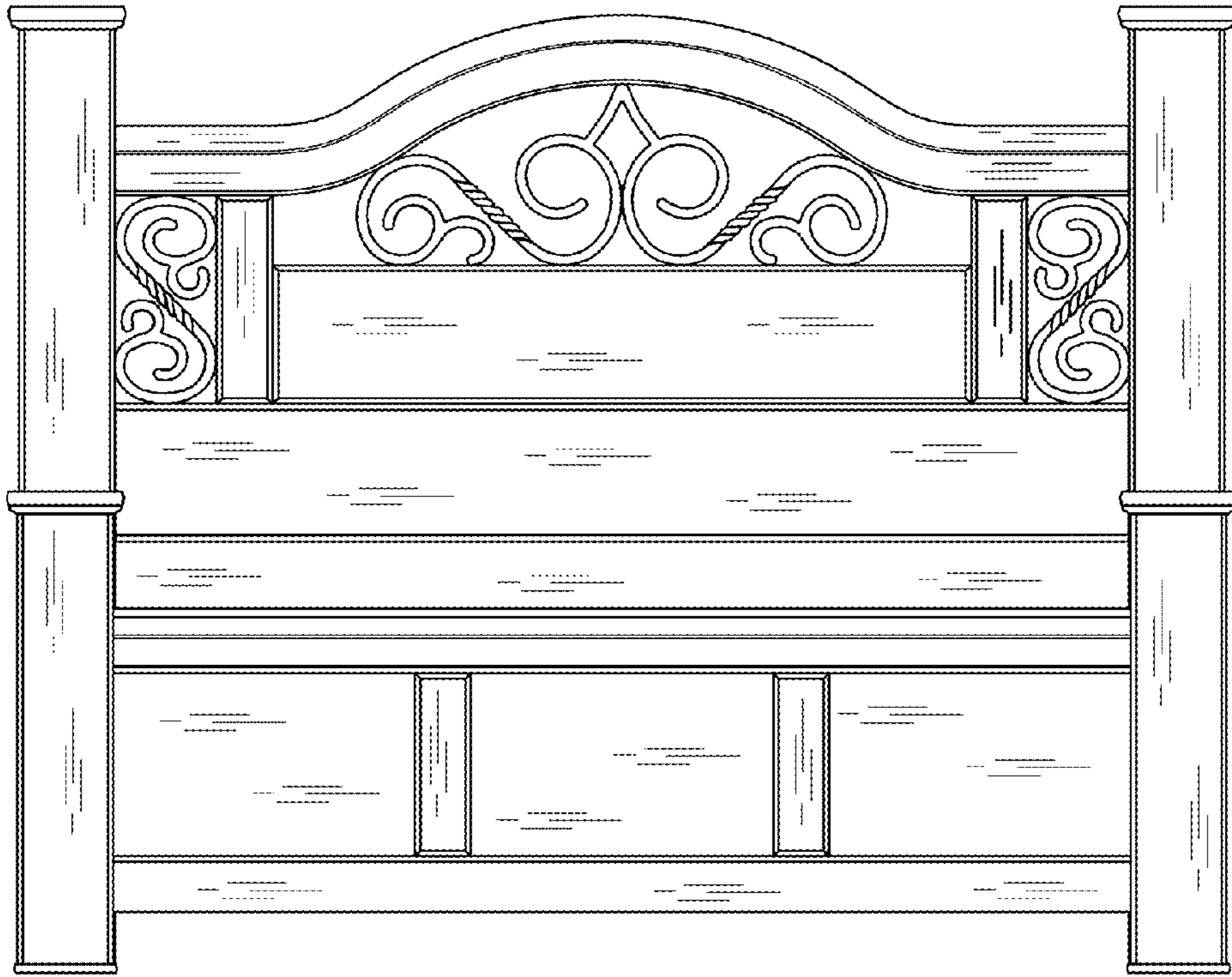


FIG. 2



FIG. 3

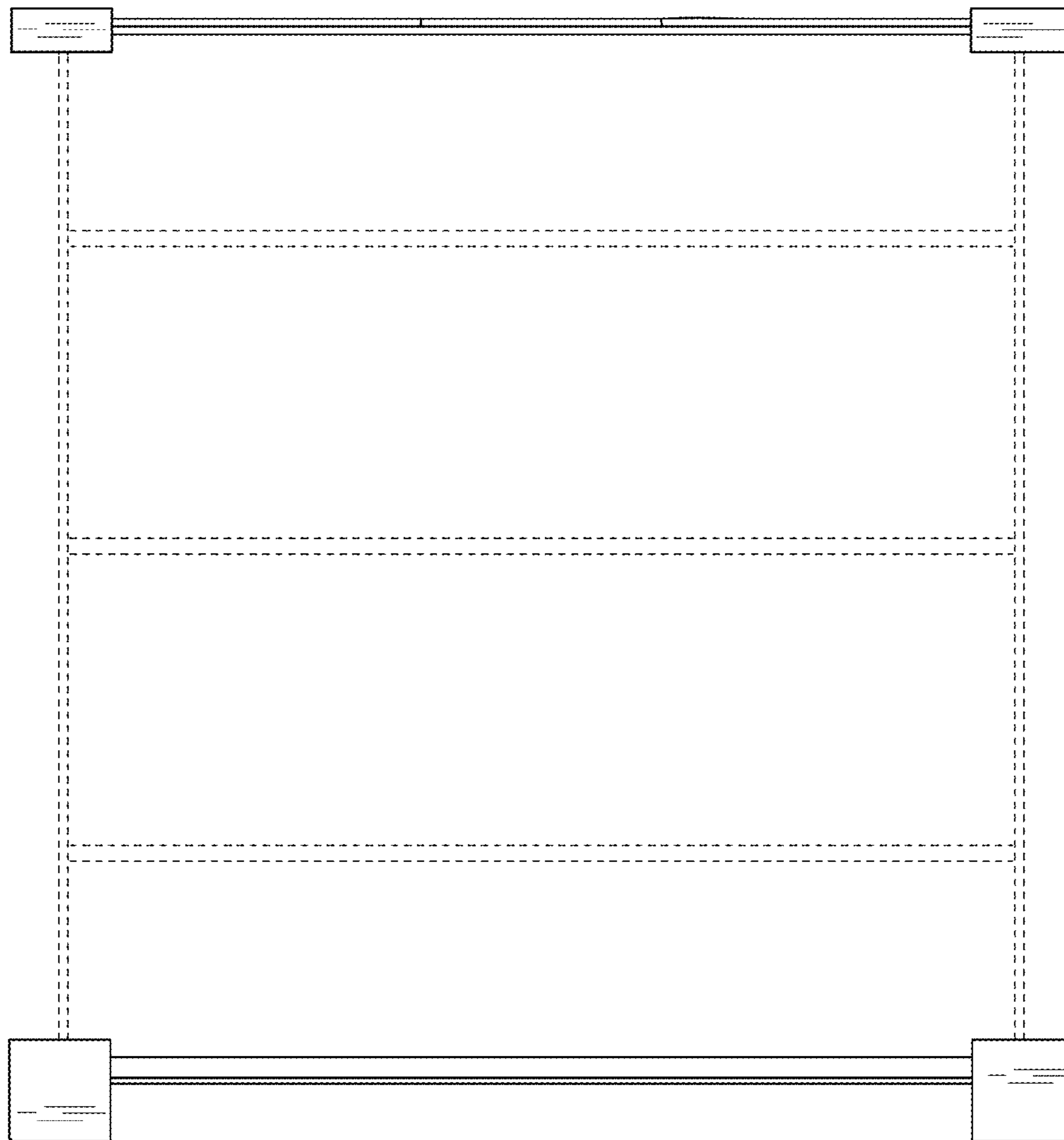


FIG. 4