

US00D764203S

(12) **United States Design Patent**
Fang

(10) **Patent No.:** **US D764,203 S**

(45) **Date of Patent:** **** Aug. 23, 2016**

(54) **HAMMOCK**

(71) Applicant: **Ningbo Mentoriend International Trading Co., Ltd.**, Ningbo (CN)

(72) Inventor: **Frank Fang**, Ningbo (CN)

(73) Assignee: **NINGBO MENTORIEND INTERNATIONAL TRADING CO., LTD.**, Ningbo (CN)

(**) Term: **14 Years**

(21) Appl. No.: **29/506,561**

(22) Filed: **Oct. 16, 2014**

(51) **LOC (10) Cl.** **06-02**

(52) **U.S. Cl.**
USPC **D6/387**

(58) **Field of Classification Search**
USPC D6/386, 387, 347; D21/688
CPC A45F 3/22; A45F 3/24; A45F 3/26;
A47C 17/64; A47C 17/84

See application file for complete search history.

(56) **References Cited**

U.S. PATENT DOCUMENTS

5,659,906	A *	8/1997	Nickell	A45F 3/24
					5/120
D425,722	S *	5/2000	Hennessy	D6/387
D657,585	S *	4/2012	Zhou	D6/387
D683,995	S *	6/2013	Logothetis	D6/718.12
D706,054	S *	6/2014	Zhou	D6/387
2007/0277310	A1 *	12/2007	Sanford-Schwentke	..	A45F 3/24
					5/128

OTHER PUBLICATIONS

Hammock Bed and Stand, Opicos Home Interior Exterior Designs, available Feb. 18, 2016, available from internet < URL: <http://www.opicos.com/interesting-design-ideas-of-outdoor-hammock-bed-with-stand/> >.*

Kokoon Hammock, Royal Botania, copyright 2014, available from internet < URL: <http://www.royalbotania.com/products/kkn-260> >.*
Seora Classic Lounger and Fatboy Headdemock, Aspire Metro, available Jul. 16, 2016, available from internet < URL: <http://www.aspiremetro.com/design/in-pursuit-of-hammocks/> >.*

* cited by examiner

Primary Examiner — Cathron Brooks

(74) *Attorney, Agent, or Firm* — Matthias Scholl, PC; Matthias Scholl

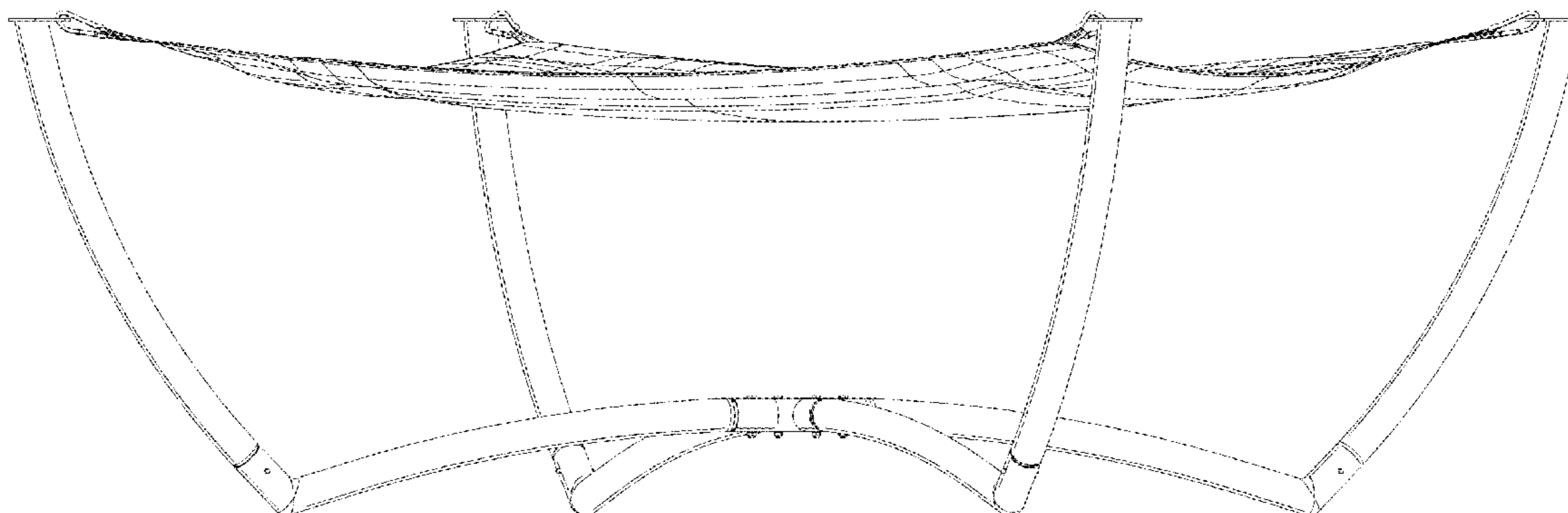
(57) **CLAIM**

The ornamental design for a hammock, as shown and described.

DESCRIPTION

FIG. 1 is a front elevational view of a hammock;
FIG. 2 is a rear elevational view thereof;
FIG. 3 is a left side elevational view thereof;
FIG. 4 is a right side elevational view thereof;
FIG. 5 is a top plan view thereof;
FIG. 6 is a bottom plan view thereof; and,
FIG. 7 is a perspective view thereof.

1 Claim, 7 Drawing Sheets



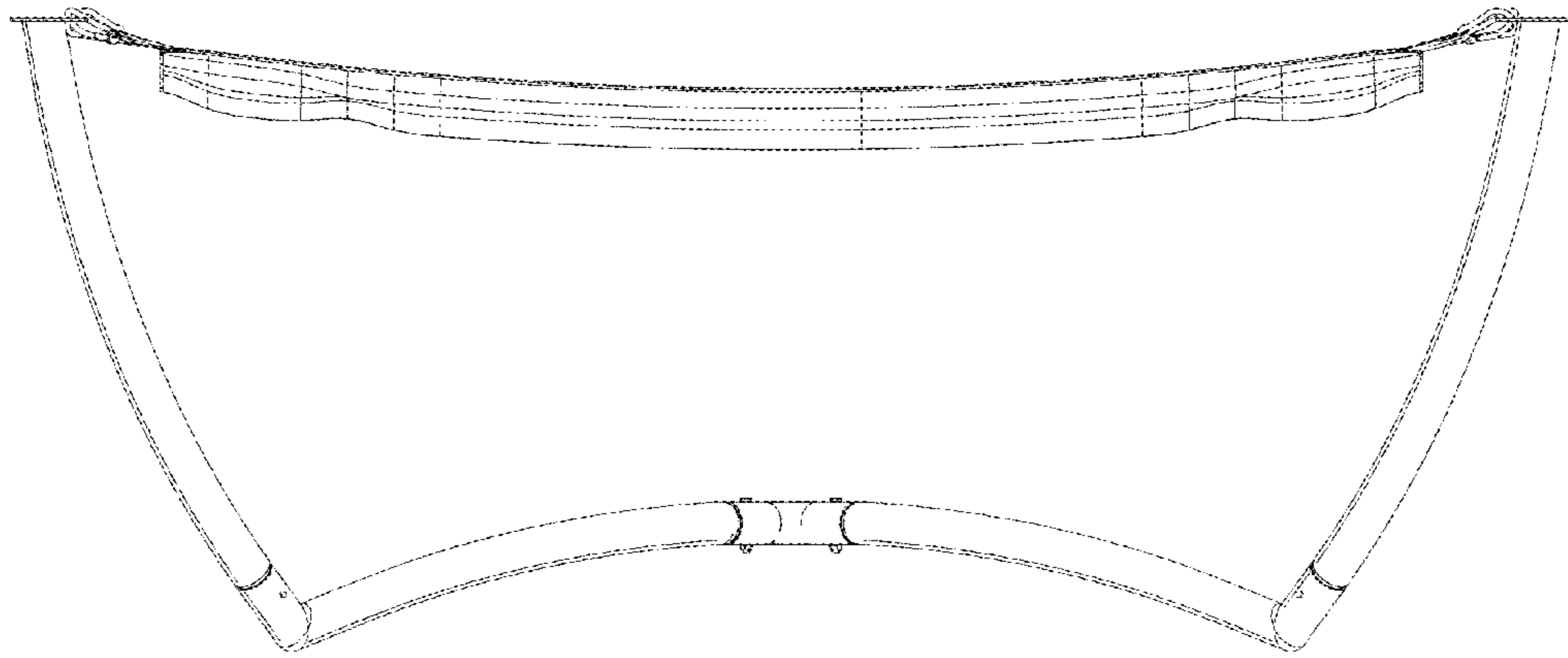


FIG. 1

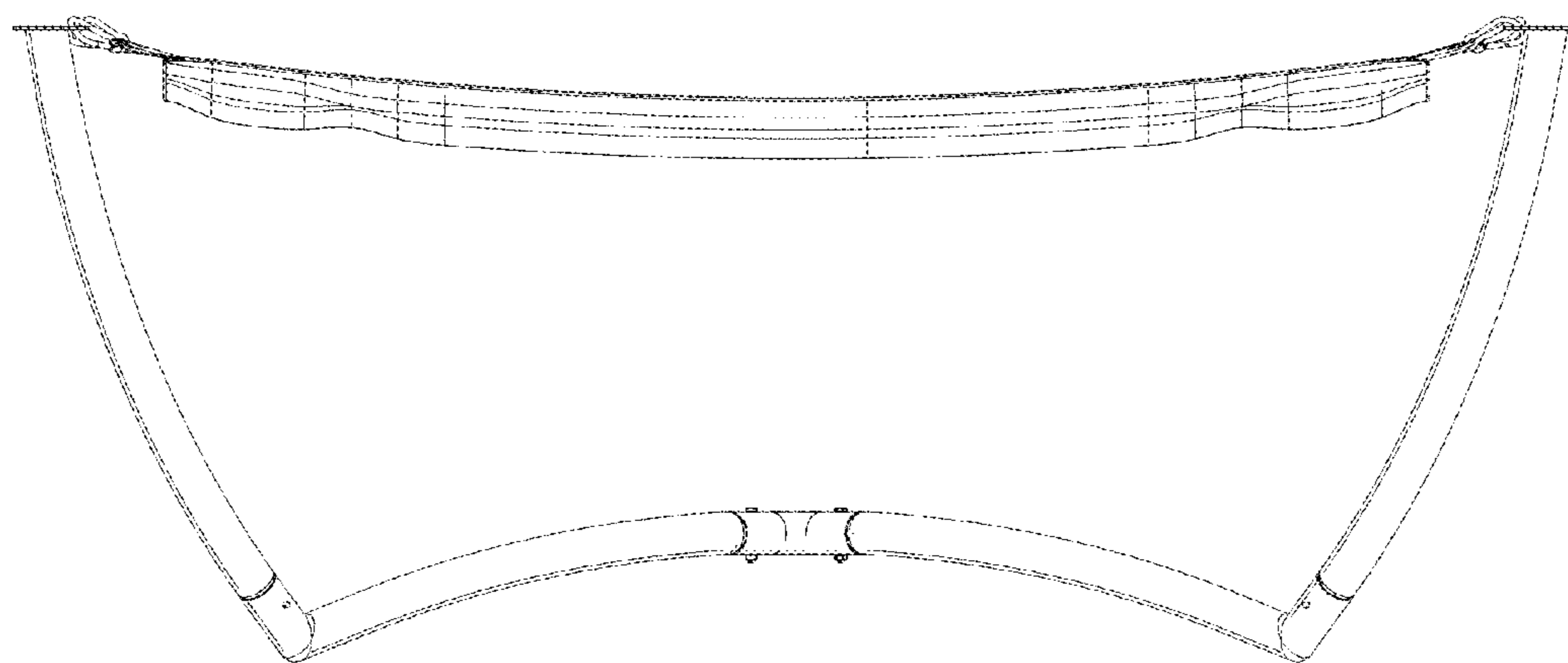


FIG. 2

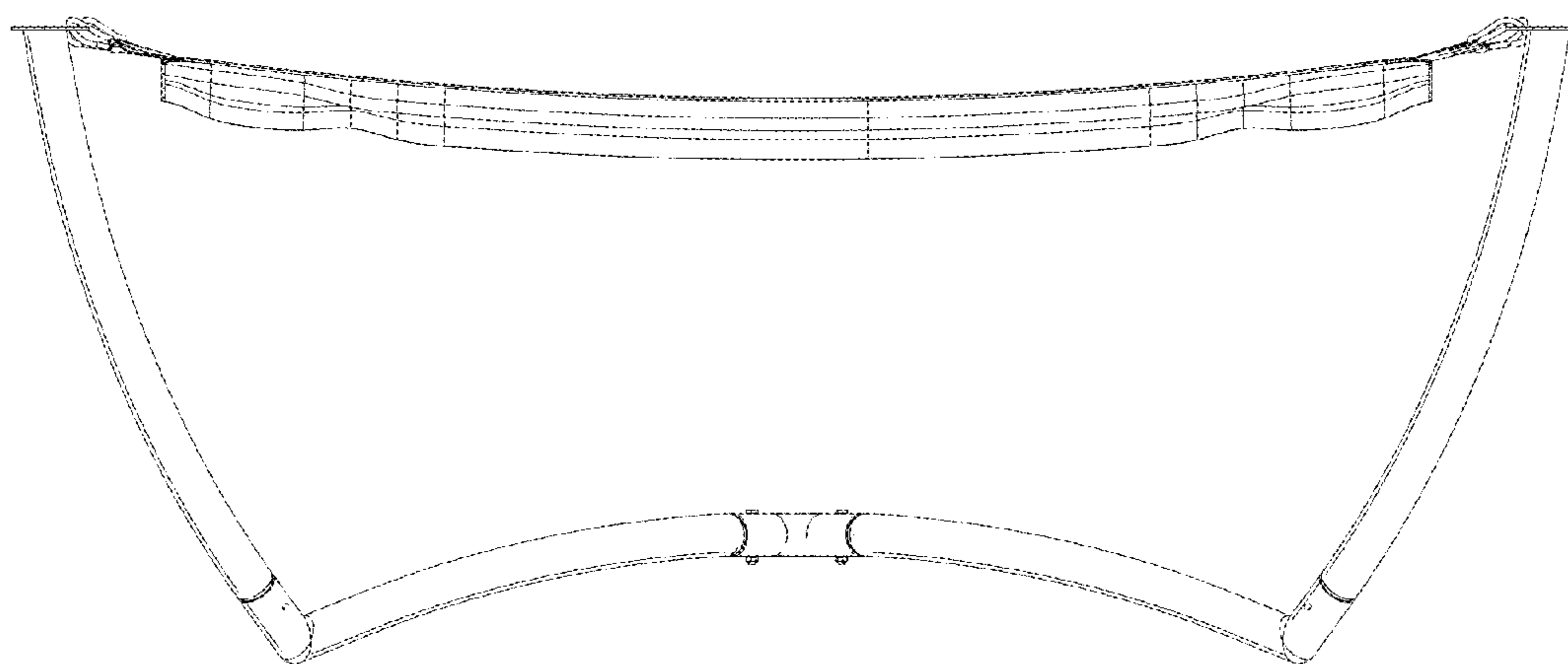


FIG. 3

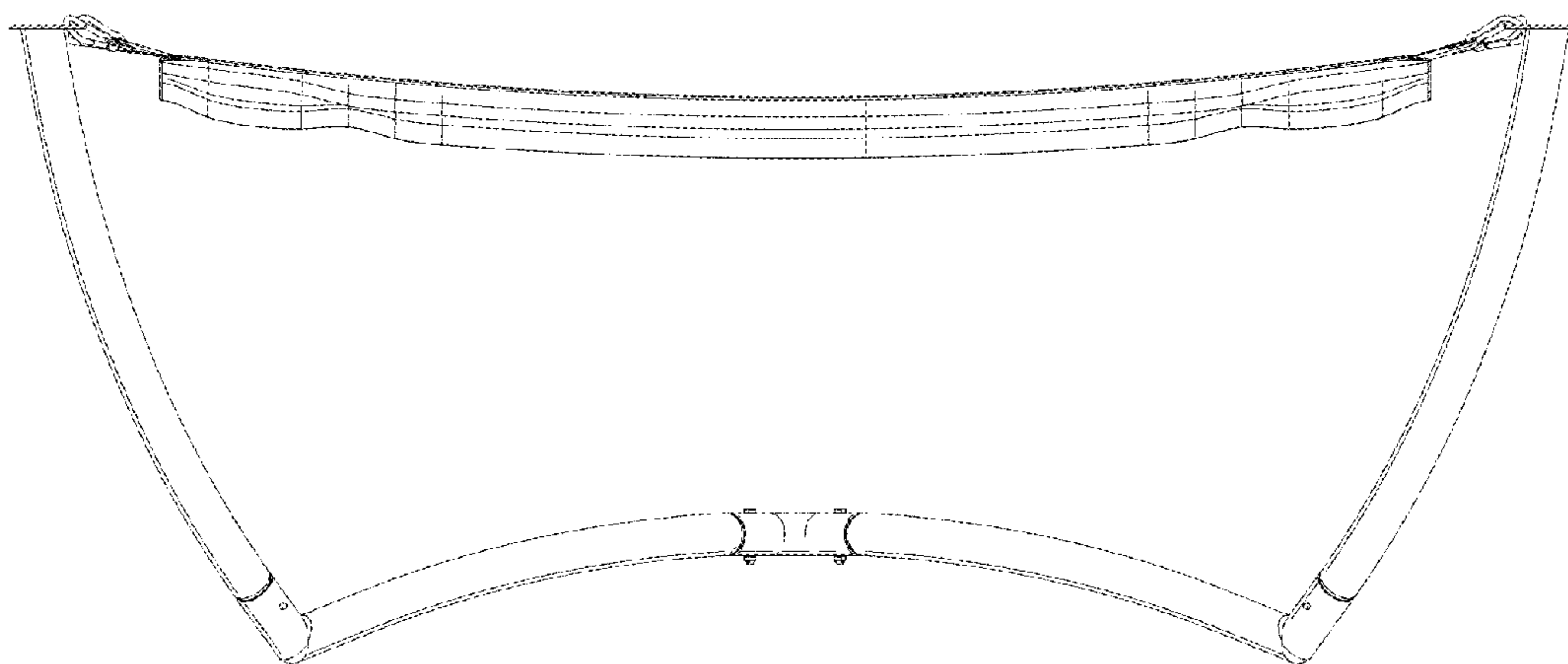


FIG. 4

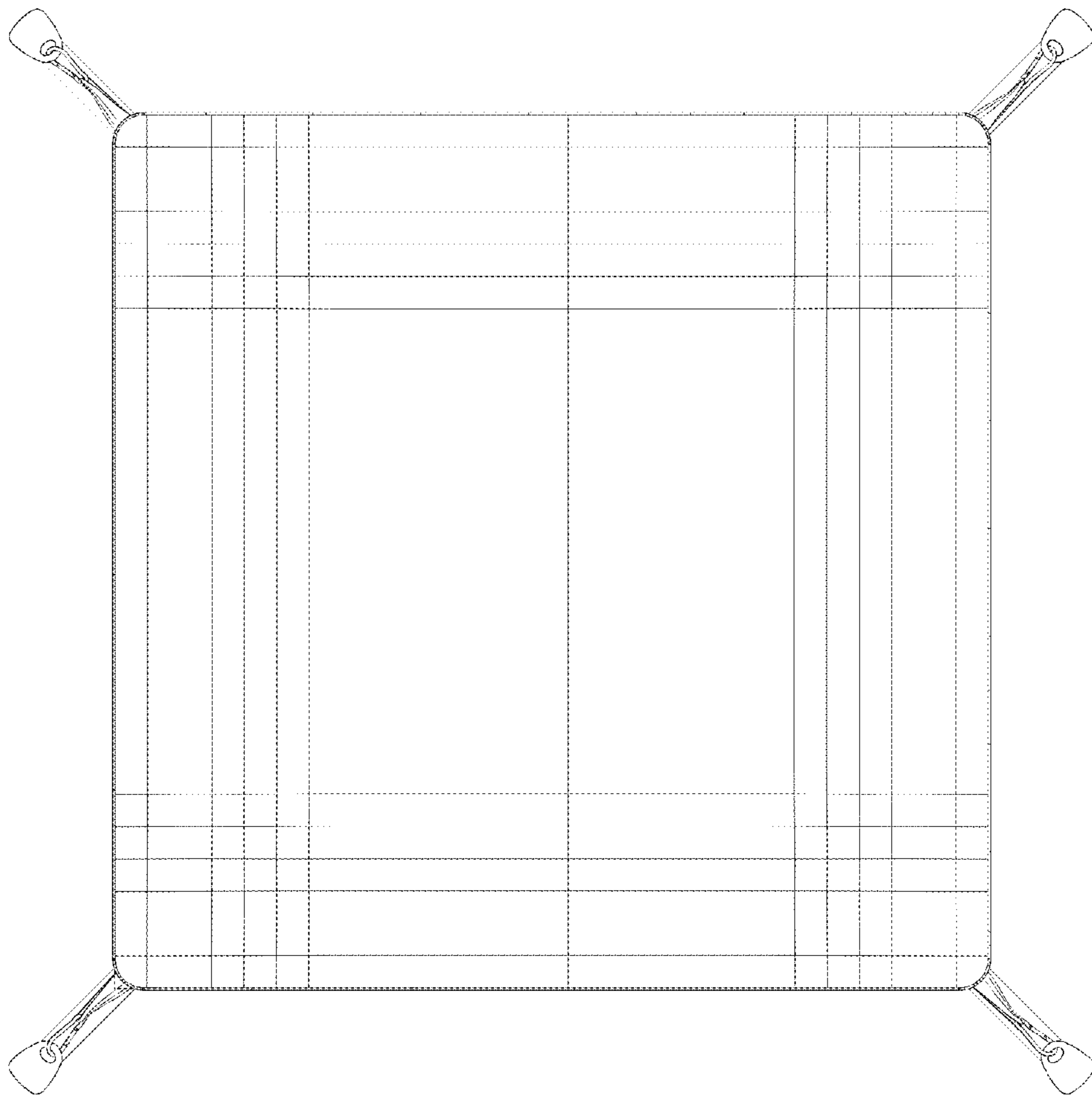


FIG. 5

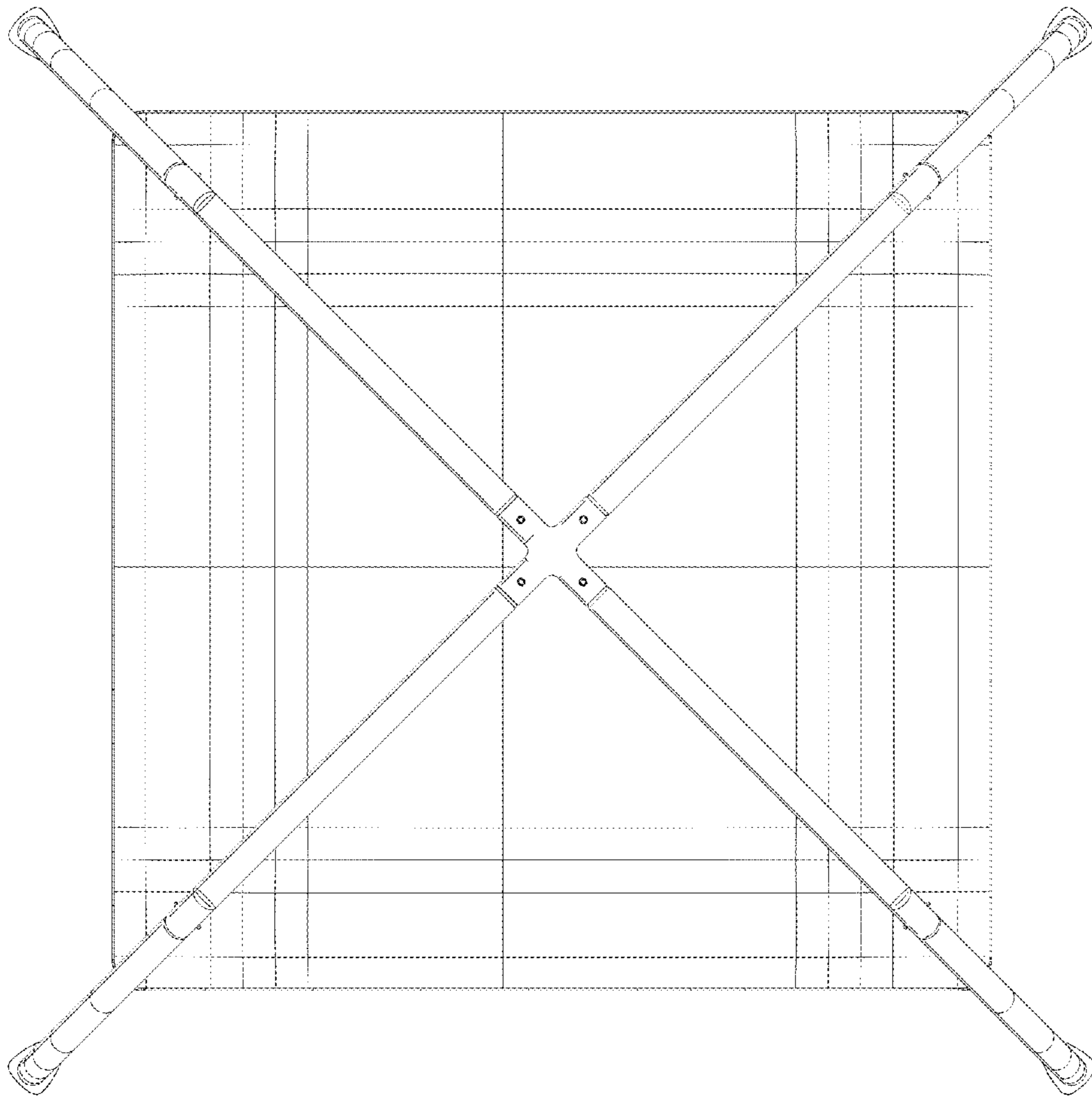


FIG. 6

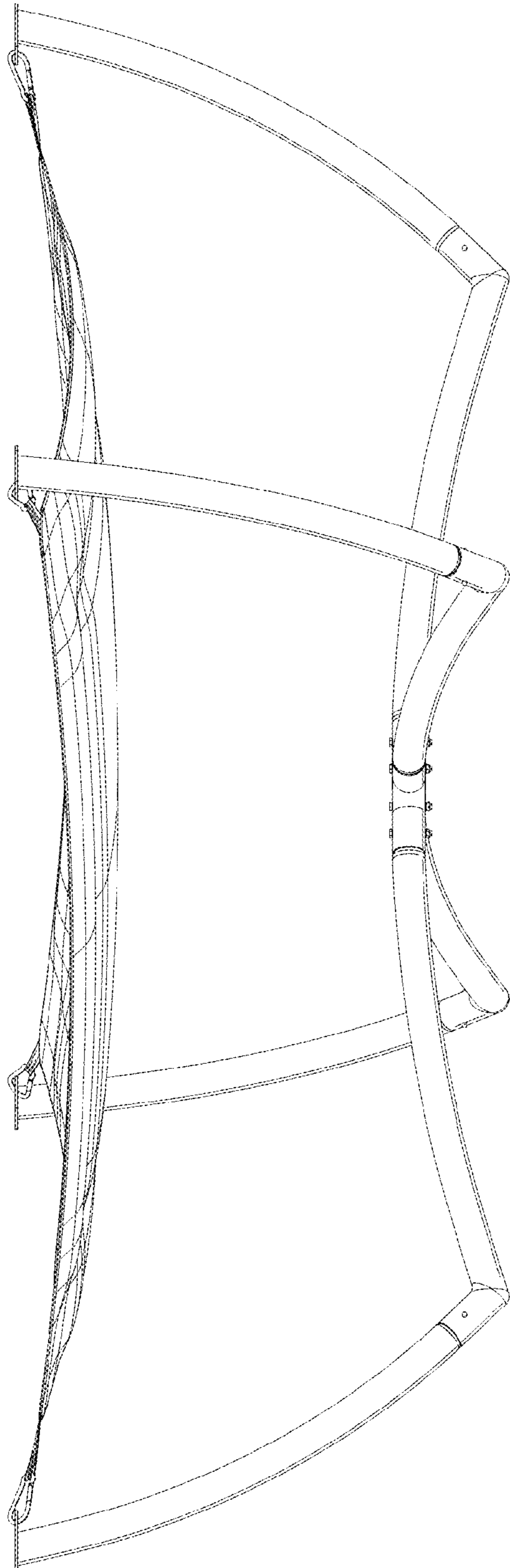


FIG. 7