

US00D764202S

(12) **United States Design Patent**
Kirar

(10) **Patent No.:** **US D764,202 S**
(45) **Date of Patent:** **** Aug. 23, 2016**

(54) **CHAIR**

(71) Applicant: **The McGuire Furniture Company**, San Francisco, CA (US)

(72) Inventor: **Laura Kirar**, New York, NY (US)

(73) Assignee: **KOHLER INTERIORS FURNITURE COMPANY**, Hickory, NC (US)

(**) Term: **15 Years**

(21) Appl. No.: **29/549,155**

(22) Filed: **Dec. 18, 2015**

Related U.S. Application Data

(62) Division of application No. 29/468,740, filed on Oct. 2, 2013, now Pat. No. Des. 746,608.

(51) **LOC (10) Cl.** **06-01**

(52) **U.S. Cl.**
USPC **D6/364**

(58) **Field of Classification Search**
USPC D6/334-336, 360-381, 388, 716,
D6/716.1-716.4

CPC A47C 1/00; A47C 4/02; A47C 4/03;
A47C 4/04; A47C 7/021; A47C 7/18
See application file for complete search history.

(56) **References Cited**

U.S. PATENT DOCUMENTS

D104,073 S	4/1937	Lewis	
D104,144 S	4/1937	Lewis	
3,851,681 A	12/1974	Egan	
D234,329 S	2/1975	Rocchia	
D234,330 S	2/1975	Rocchia	
D243,571 S	3/1977	Wisner	
D286,587 S	11/1986	Culler	
D332,183 S	1/1993	White	
D346,910 S *	5/1994	Caldwell	D6/369
D388,965 S *	1/1998	Mourgue	D6/334

D410,800 S	6/1999	Gomez	
D412,408 S	8/1999	Navone	
D422,422 S	4/2000	Black	
D430,973 S	9/2000	Frankel et al.	
D431,383 S	10/2000	Frinier	
D434,233 S *	11/2000	Frankel	D6/334
D463,147 S	9/2002	Montalbano	
D499,896 S	12/2004	Gruber	

(Continued)

OTHER PUBLICATIONS

US Notice of Allowance dated Dec. 23, 2015, from related U.S. Appl. No. 29/541,144.

Primary Examiner — Ricky Pham

(74) *Attorney, Agent, or Firm* — Foley & Lardner LLP

(57) **CLAIM**

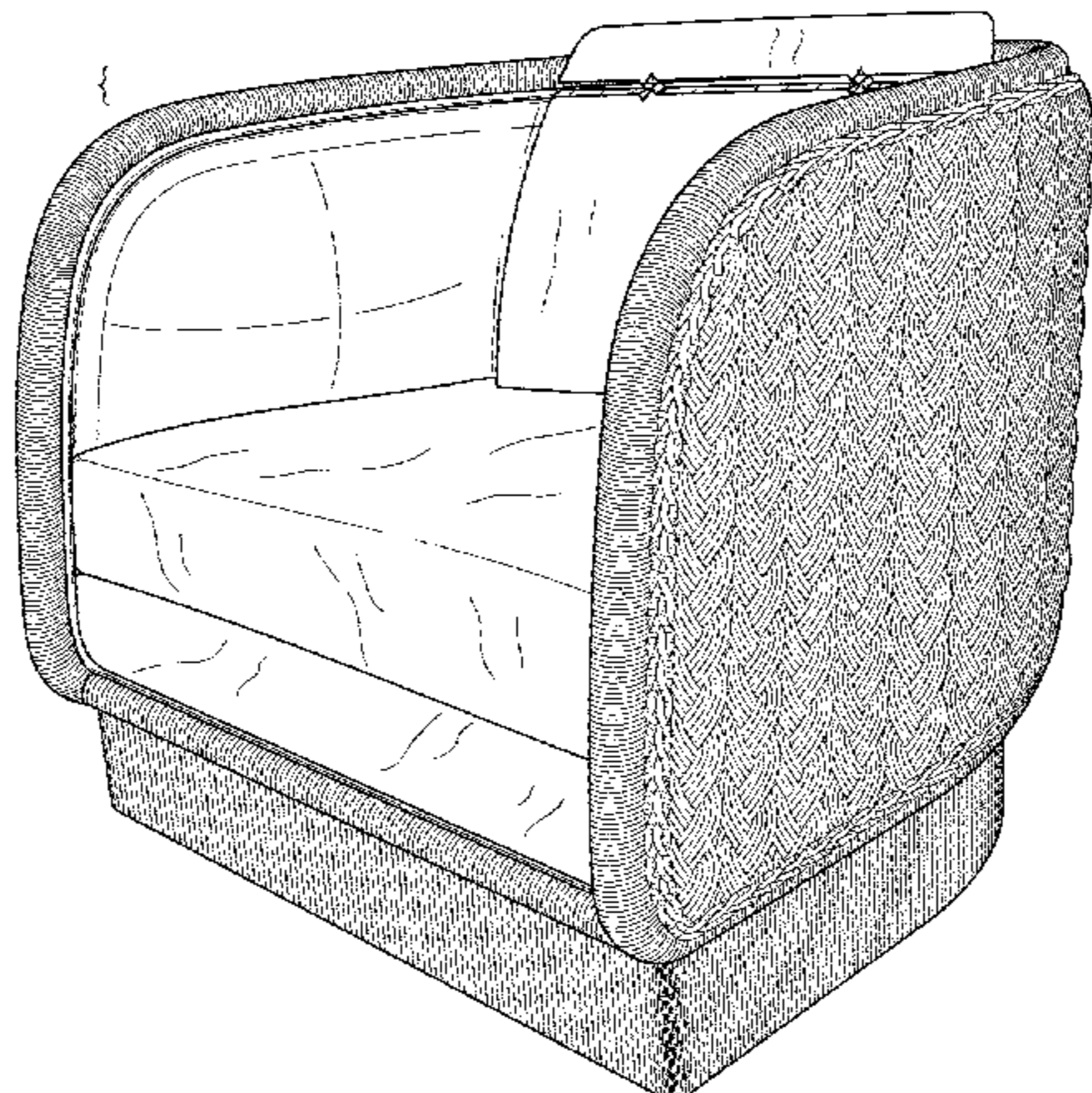
I claim the ornamental design for a chair, as shown and described.

DESCRIPTION

FIG. 1 is a top, front, right perspective view of a chair showing my new design;
FIG. 2 is a front elevation view thereof;
FIG. 3 is a rear elevation view thereof;
FIG. 4 is a right elevation view thereof;
FIG. 5 is a left elevation view thereof;
FIG. 6 is a top plan view thereof; and,
FIG. 7 is a bottom plan view thereof.

The ornamental design which is claimed is shown in solid lines in the drawings. The broken lines in the drawings are for illustrative purposes only and form no part of the claimed design. Broken lines formed by equal length dashes show unclaimed portions of the design. Broken lines formed of unequal length dashes (i.e., dash-dot) show boundaries between claimed and unclaimed portions of the design. Lines having a jagged element are not part of the claimed design and show that no particular length of the portion is claimed.

1 Claim, 7 Drawing Sheets



(56)

References Cited

U.S. PATENT DOCUMENTS

D541,543 S	5/2007	Doughty	
D542,571 S	5/2007	Bryant et al.	
D550,470 S *	9/2007	Wang	D6/369
D554,872 S	11/2007	Wimberger	
D572,030 S *	7/2008	Lowsky	D6/369
D572,926 S	7/2008	Lowsky	
D596,414 S	7/2009	Natuzzi	
D600,034 S *	9/2009	White, III	D6/369
D609,486 S *	2/2010	Lowsky	D6/369
D610,364 S *	2/2010	Lowsky	D6/369
D613,942 S	4/2010	Shing	
D626,350 S *	11/2010	Chang	D6/369
D643,224 S	8/2011	Sofield	
D661,507 S	6/2012	Grotta et al.	
D663,966 S *	7/2012	Lenney	D6/369
D664,782 S *	8/2012	Lenney	D6/369
D668,465 S *	10/2012	Adir	D6/369
D678,691 S	3/2013	Frinier	
D689,708 S	9/2013	Lowsky	
D722,441 S	2/2015	Kirar	
D746,608 S *	1/2016	Kirar	D6/364

* cited by examiner

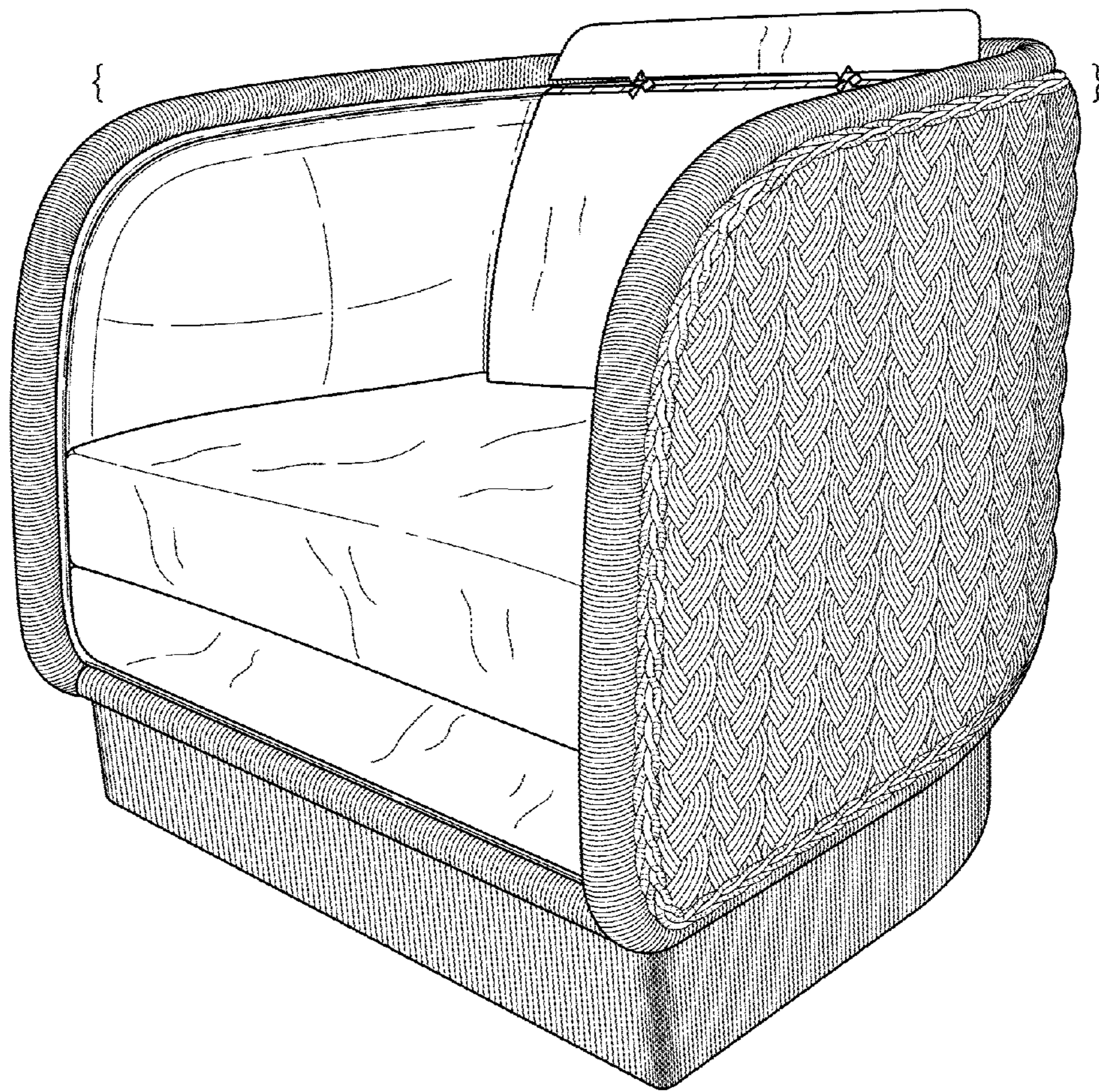


FIG. 1

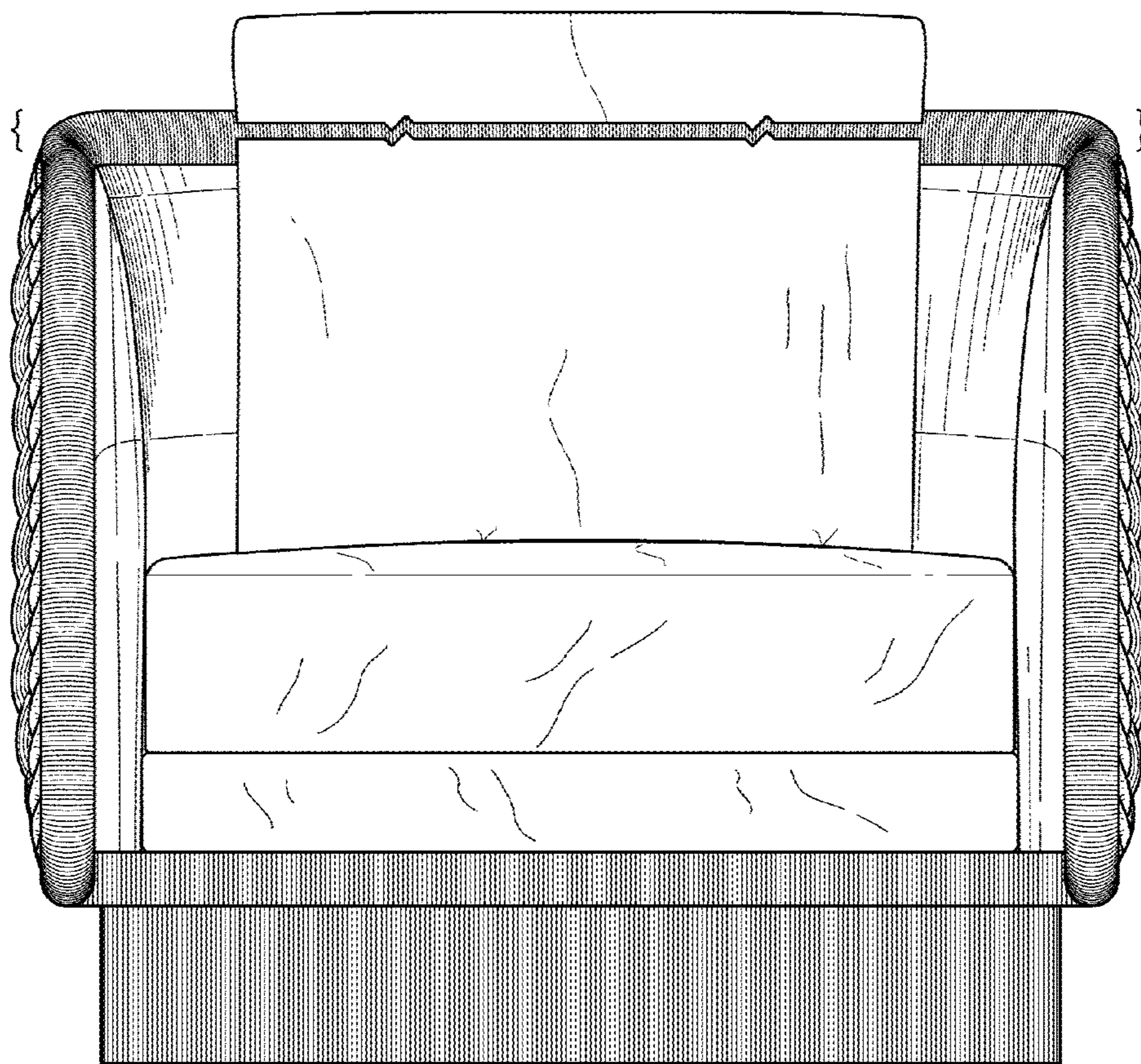


FIG. 2

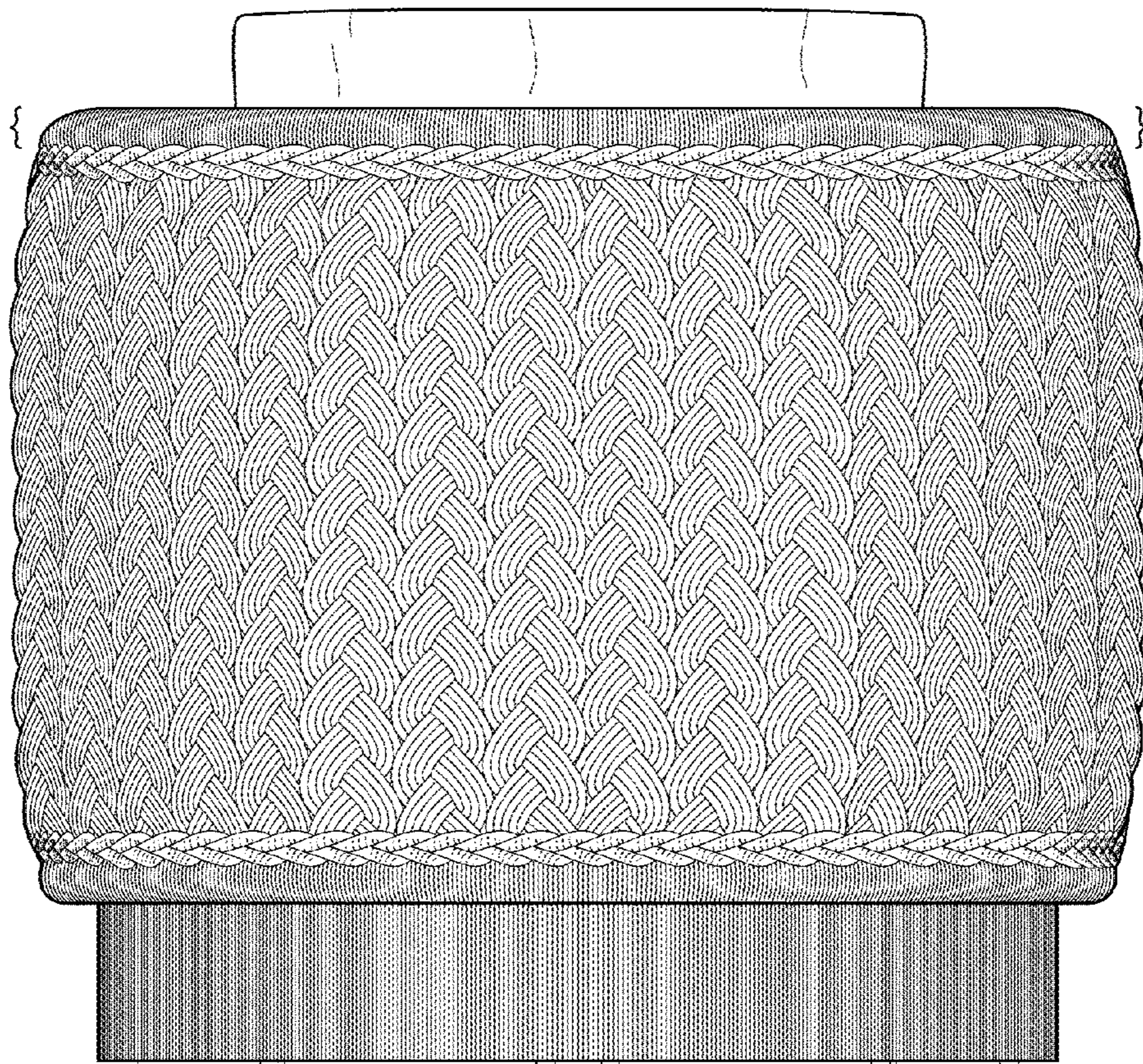


FIG. 3

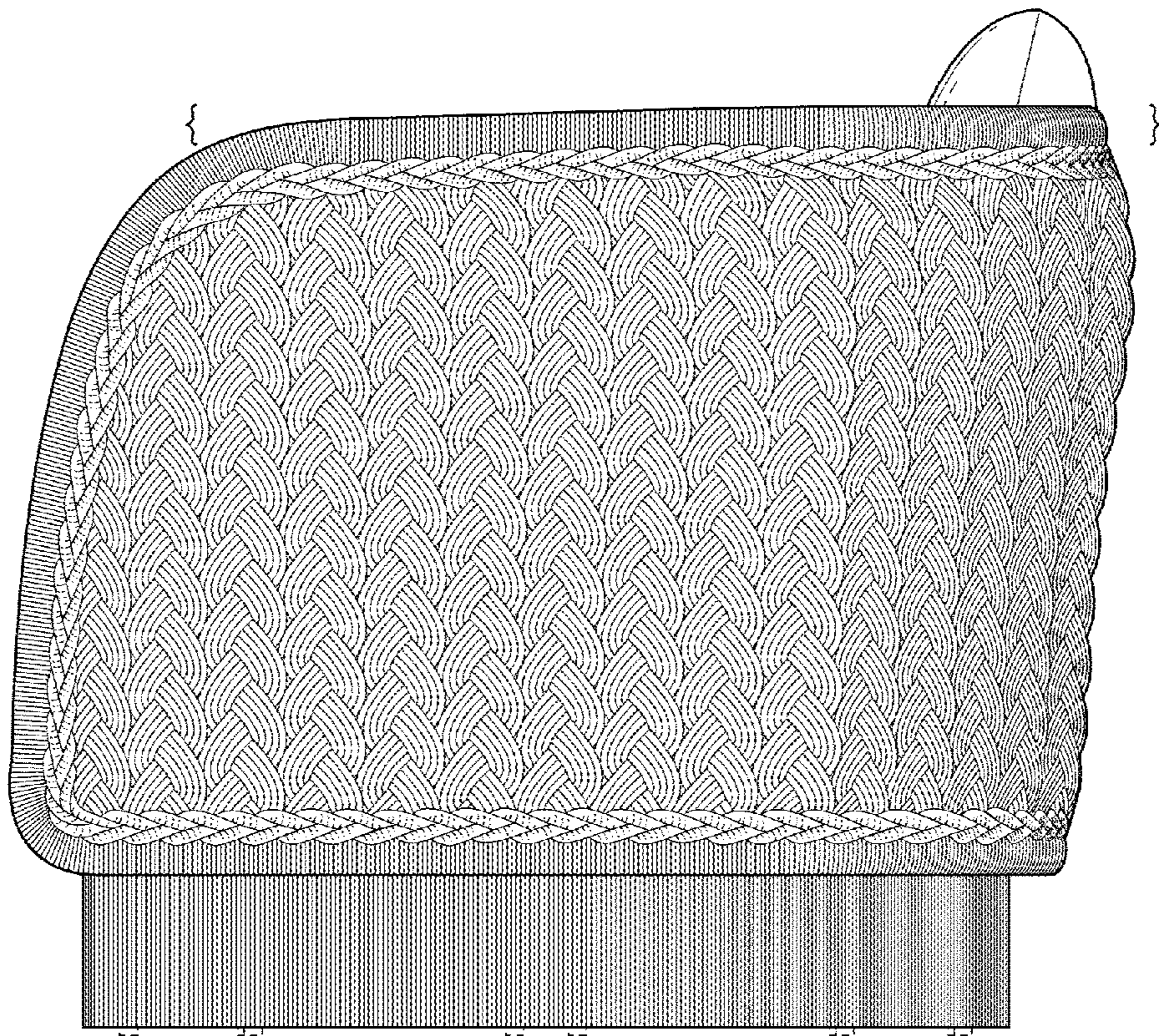


FIG. 4

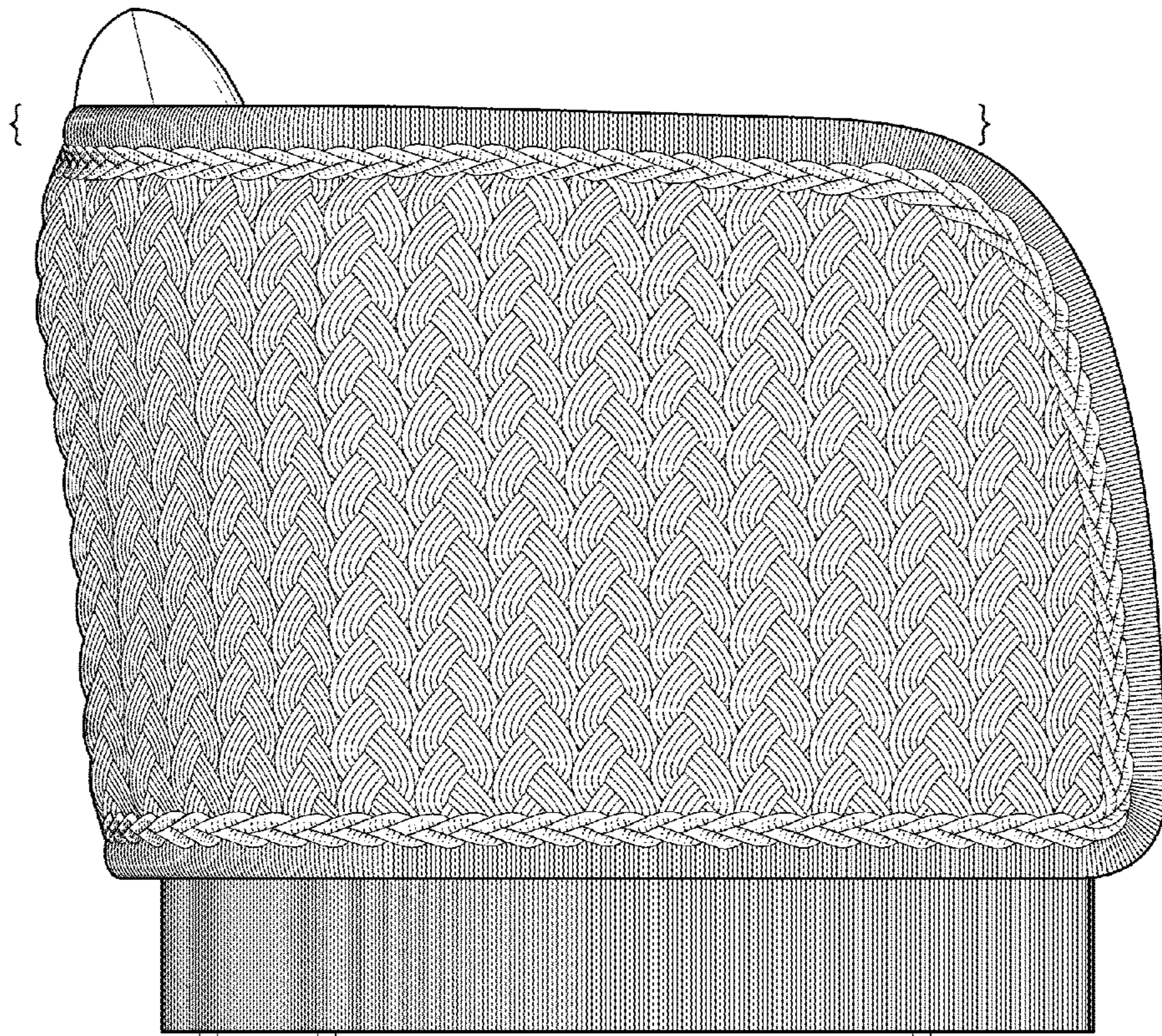


FIG. 5

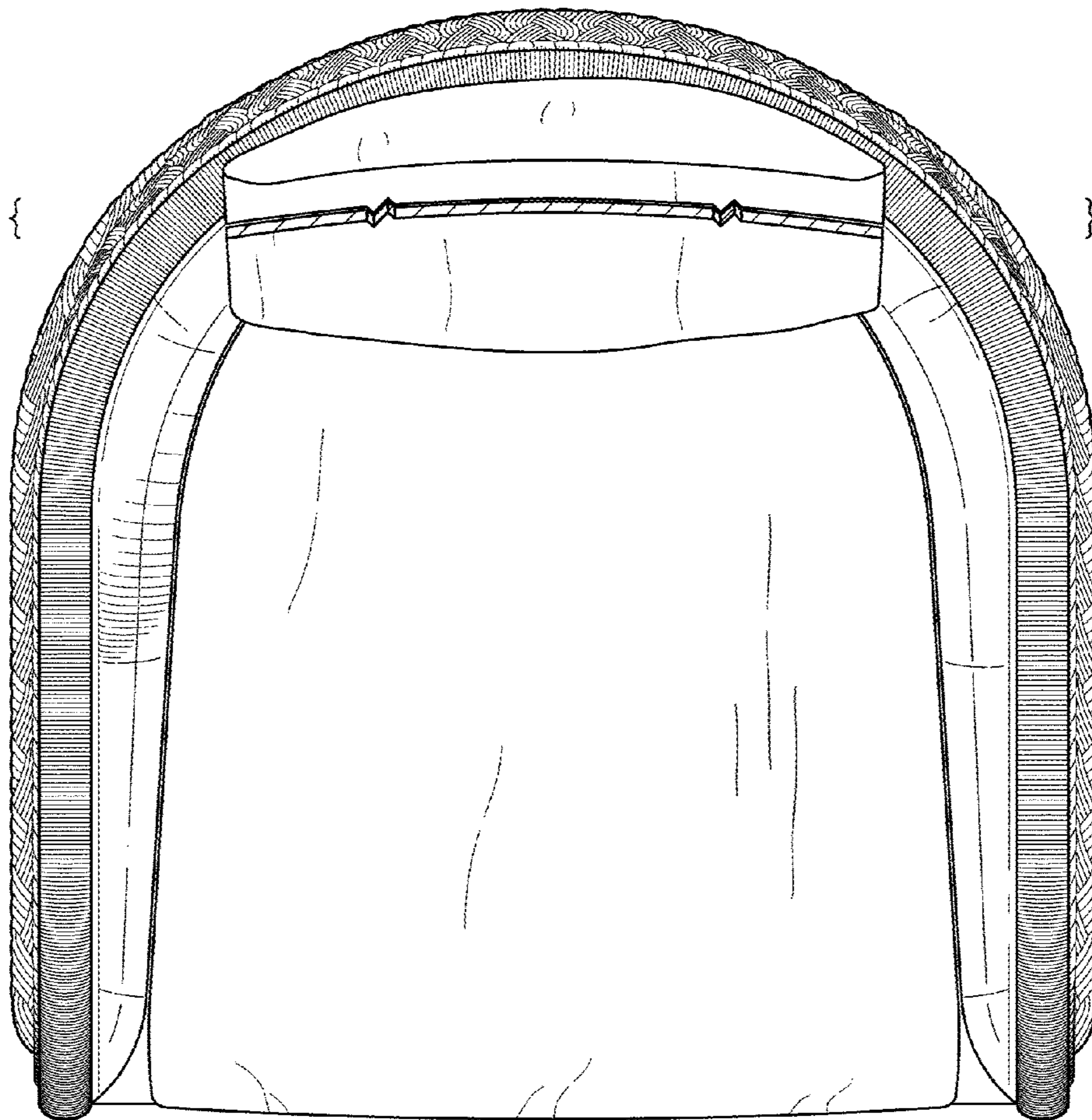


FIG. 6

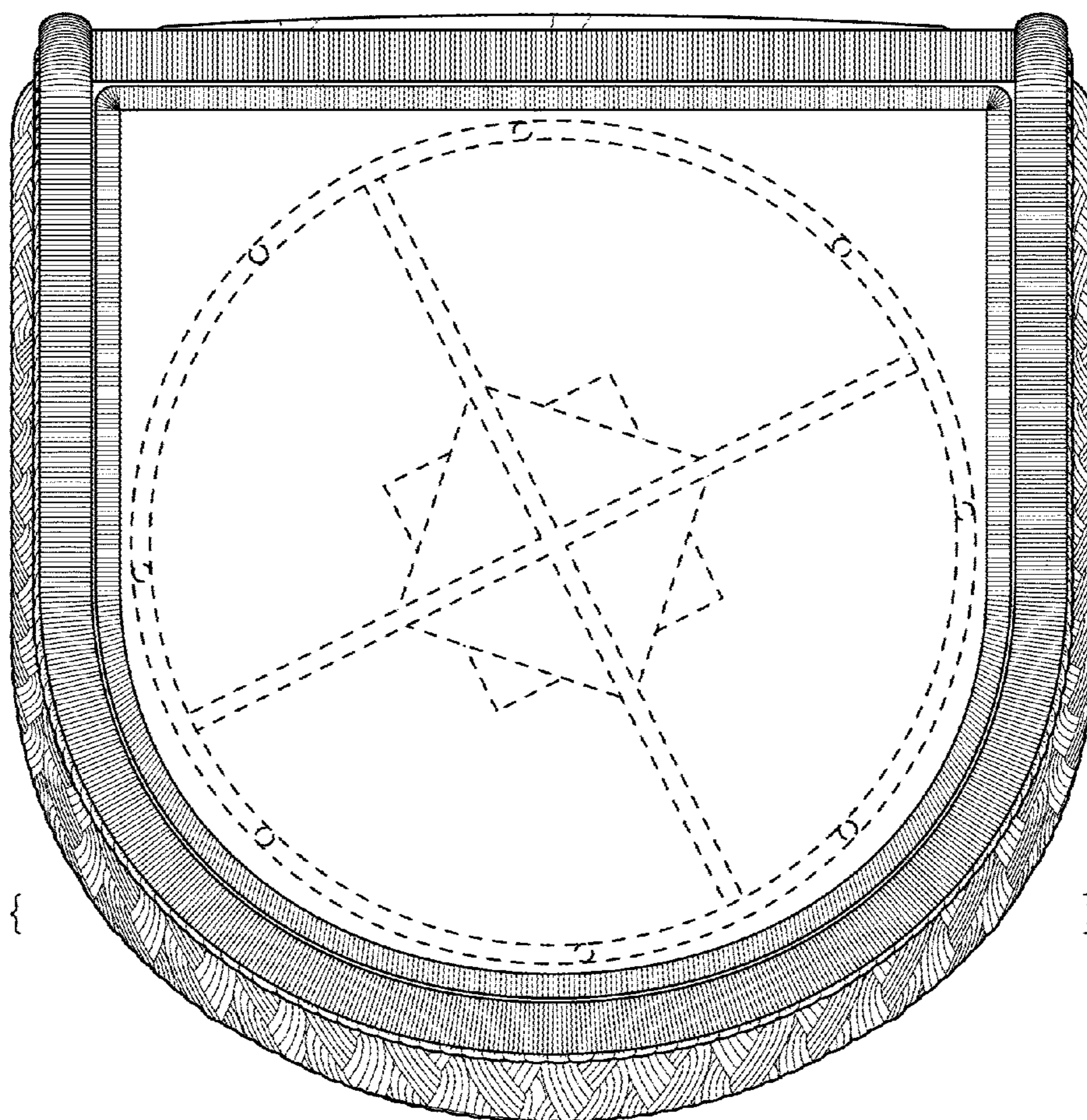


FIG. 7