



US00D764201S

(12) **United States Design Patent**
Nelson

(10) **Patent No.:** **US D764,201 S**

(45) **Date of Patent:** **** Aug. 23, 2016**

(54) **BATH TRANSFER BENCH**

(71) Applicant: **HOME DEPOT PRODUCT AUTHORITY, LLC**, Atlanta, GA (US)

(72) Inventor: **Michael Nelson**, Peachtree City, GA (US)

(73) Assignee: **Home Depot Product Authority, LLC**, Atlanta, GA (US)

(**) Term: **15 Years**

(21) Appl. No.: **29/533,030**

(22) Filed: **Jul. 13, 2015**

Related U.S. Application Data

(62) Division of application No. 29/502,477, filed on Sep. 16, 2014, now Pat. No. Des. 734,048, which is a division of application No. 29/448,633, filed on Mar. 13, 2013, now Pat. No. Des. 713,161.

(51) **LOC (10) Cl.** **06-01**

(52) **U.S. Cl.**
USPC **D6/362**

(58) **Field of Classification Search**

USPC D6/333, 335, 336, 338, 340, 344, 347, D6/349-355, 358, 360, 362-365, 374, 381, D6/500, 502, 555, 596, 601, 685, 687, D6/688.15, 688.27, 690, 691, 692.3, D6/708.16, 708.21, 708.22, 709, 709.2, D6/709.22, 711, 716-716.7, 717
CPC A47C 1/14; A47C 3/16-3/20; A47C 4/00; A47C 4/28; A47C 5/02; A47C 5/04; A47C 5/043; A47C 7/00-7/006; A47C 7/02; A47C 7/68; A47C 9/00; A47C 9/02; A47C 9/002; A47C 9/007; A47C 9/025; A47C 9/10; A47C 11/00; A47C 12/00; A47C 13/00; A47C 16/02; A47B 39/00; A47B 41/00; A47D 11/002

See application file for complete search history.

(56) **References Cited**

U.S. PATENT DOCUMENTS

2,813,276 A 11/1957 Lanza
4,087,127 A * 5/1978 Lotta A47K 3/122
108/81
4,391,006 A 7/1983 Smith

(Continued)

FOREIGN PATENT DOCUMENTS

WO WO01/70088 9/2001

Primary Examiner — Vy Koenig

(74) *Attorney, Agent, or Firm* — Greenberg Traurig, LLP

(57) **CLAIM**

The ornamental design for a bath transfer bench, as shown and described.

DESCRIPTION

FIG. 1 is a front perspective view of my design comprising a bath transfer bench;

FIG. 2 is a front side orthogonal view thereof;

FIGS. 3 and 4 are left and right side orthogonal views thereof;

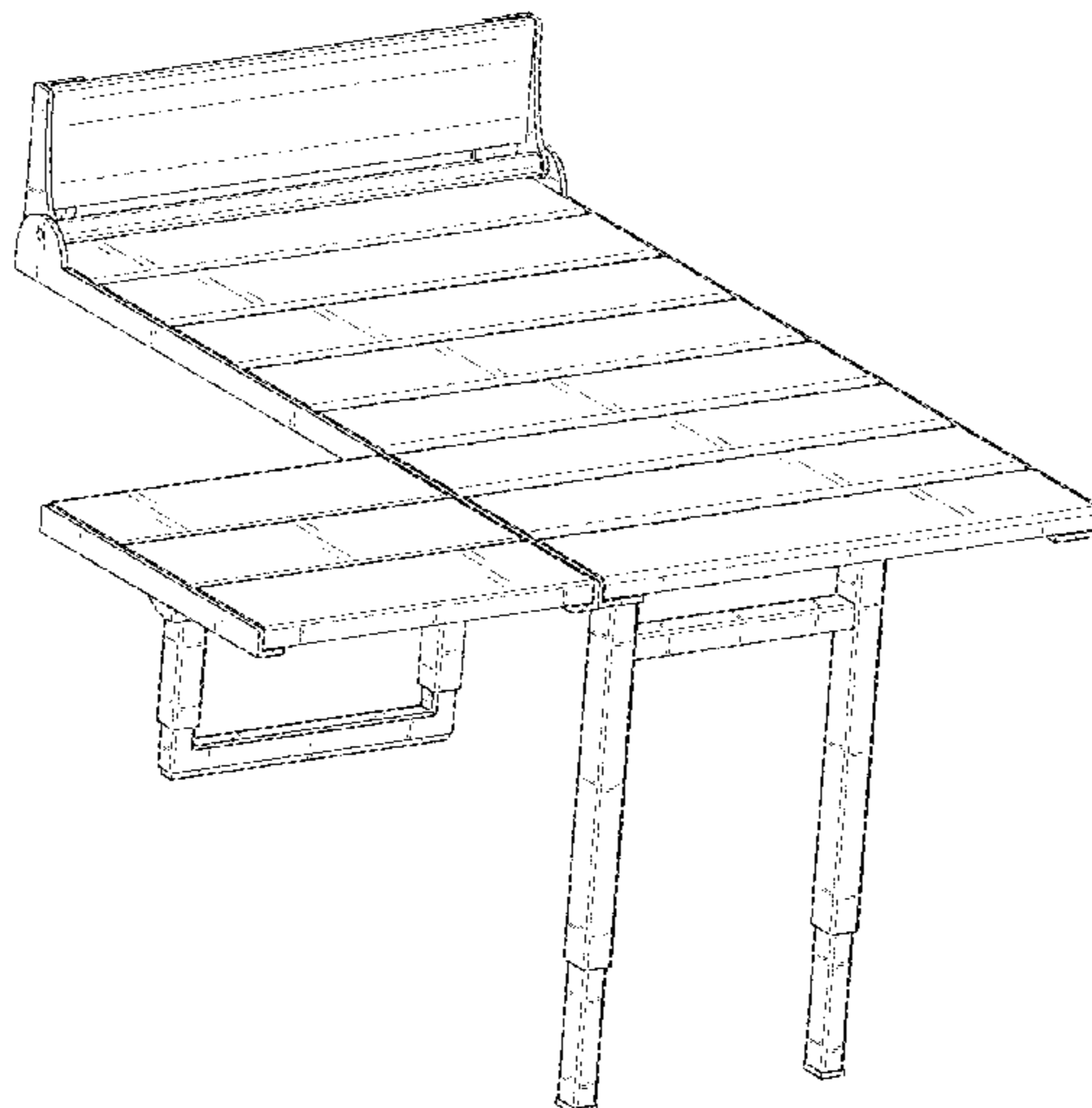
FIG. 5 is a top orthogonal view thereof;

FIG. 6 is a front perspective view thereof mounted over a bathtub with the transfer bench extending over a rim of the bathtub; and,

FIG. 7 is a front perspective view thereof mounted over a bathtub with the transfer bench stowed within the rim of the bathtub.

The dashed lines in the figures represent environmental structure and form no part of the claimed design. Specifically, the environmental structure in FIGS. 6 and 7 includes an example of a bathtub over which the primary deck of the bath transfer benches can be disposed. All other surface(s) or portion(s) of my design not shown in the figures or otherwise described in the specification form no part of the claimed designs.

1 Claim, 7 Drawing Sheets



(56)

References Cited

U.S. PATENT DOCUMENTS

4,472,844 A 9/1984 Mace
 4,475,256 A 10/1984 Hatala
 D282,028 S * 1/1986 Kennedy D6/362
 5,475,880 A 12/1995 Guenther
 5,561,868 A 10/1996 Campbell
 6,065,251 A 5/2000 Kindrick
 D444,653 S 7/2001 Skalka
 D446,413 S 8/2001 Skalka
 D478,749 S 8/2003 Gilbert et al.
 D478,751 S 8/2003 Gelbert et al.
 D494,767 S * 8/2004 Self D6/362
 D495,506 S * 9/2004 Self D6/362
 6,807,690 B1 10/2004 Satterfield
 D501,611 S * 2/2005 Self D6/362
 D510,487 S * 10/2005 Self D6/362
 7,080,417 B2 7/2006 Jiang
 7,155,757 B1 1/2007 Zamora, Jr.
 D536,889 S * 2/2007 Self D6/362
 D571,112 S * 6/2008 Henderson D6/362

D580,188 S * 11/2008 Self D6/353
 D591,521 S * 5/2009 Luxton D6/362
 D602,703 S * 10/2009 Luxton D6/362
 D617,107 S * 6/2010 Thunte D6/362
 7,963,613 B2 * 6/2011 Felmeri A47K 3/282
 24/289
 8,157,053 B1 * 4/2012 Lameiro E06C 1/005
 182/222
 8,181,285 B1 5/2012 Jackson
 D686,384 S * 7/2013 Fosburgh D32/66
 D713,161 S * 9/2014 Nelson D6/349
 8,833,518 B2 * 9/2014 Holcombe A01M 31/02
 16/348
 D729,534 S * 5/2015 Ferm D6/362
 D729,535 S * 5/2015 Ferm D6/362
 D734,048 S * 7/2015 Nelson D6/362
 2009/0139021 A1 6/2009 Cheng
 2010/0031436 A1 2/2010 Corcoran
 2011/0283450 A1 11/2011 Fainberg
 2013/0117928 A1 5/2013 Hardie
 2014/0259361 A1 9/2014 Nelson

* cited by examiner

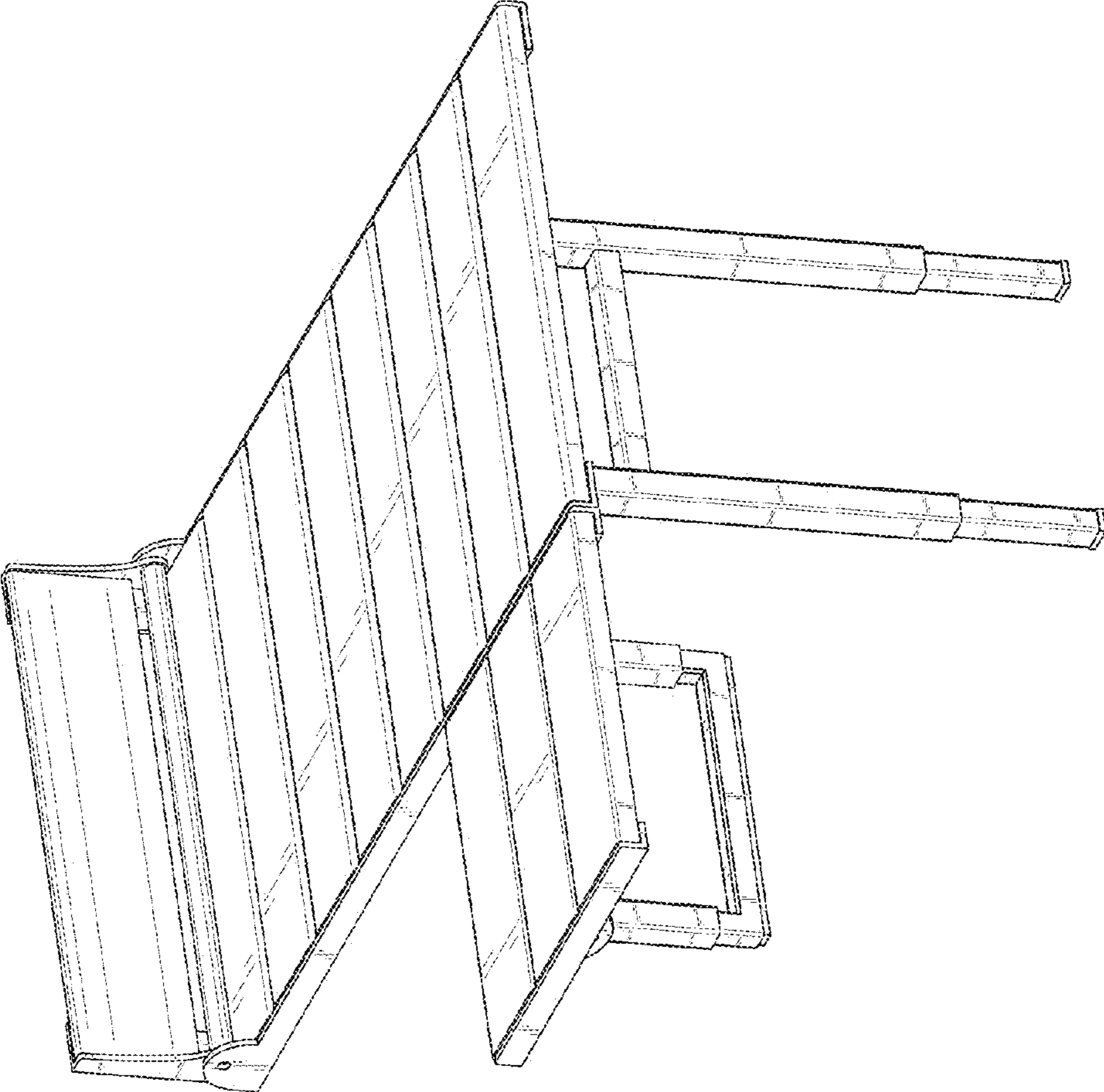


FIG. 1

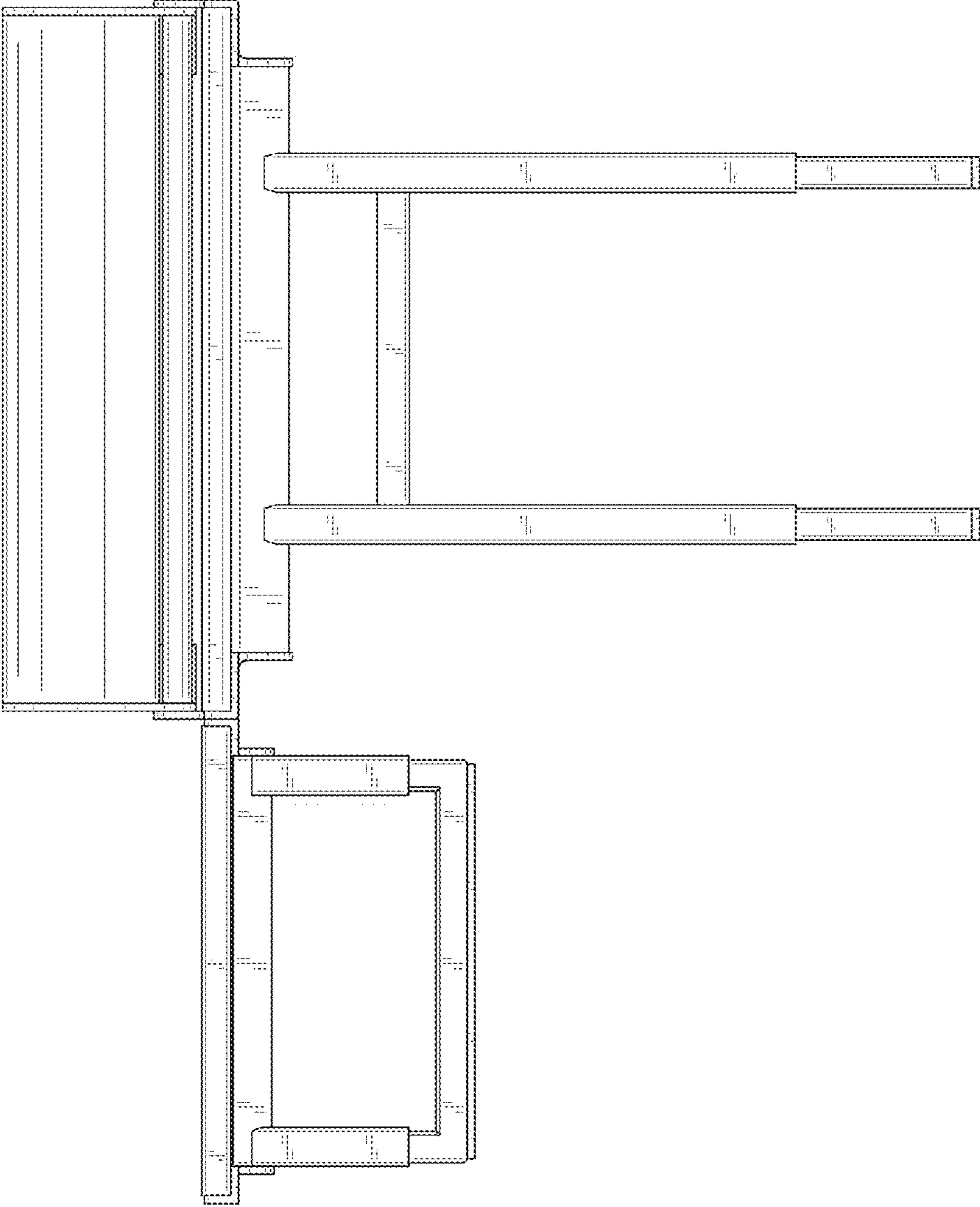


FIG. 2

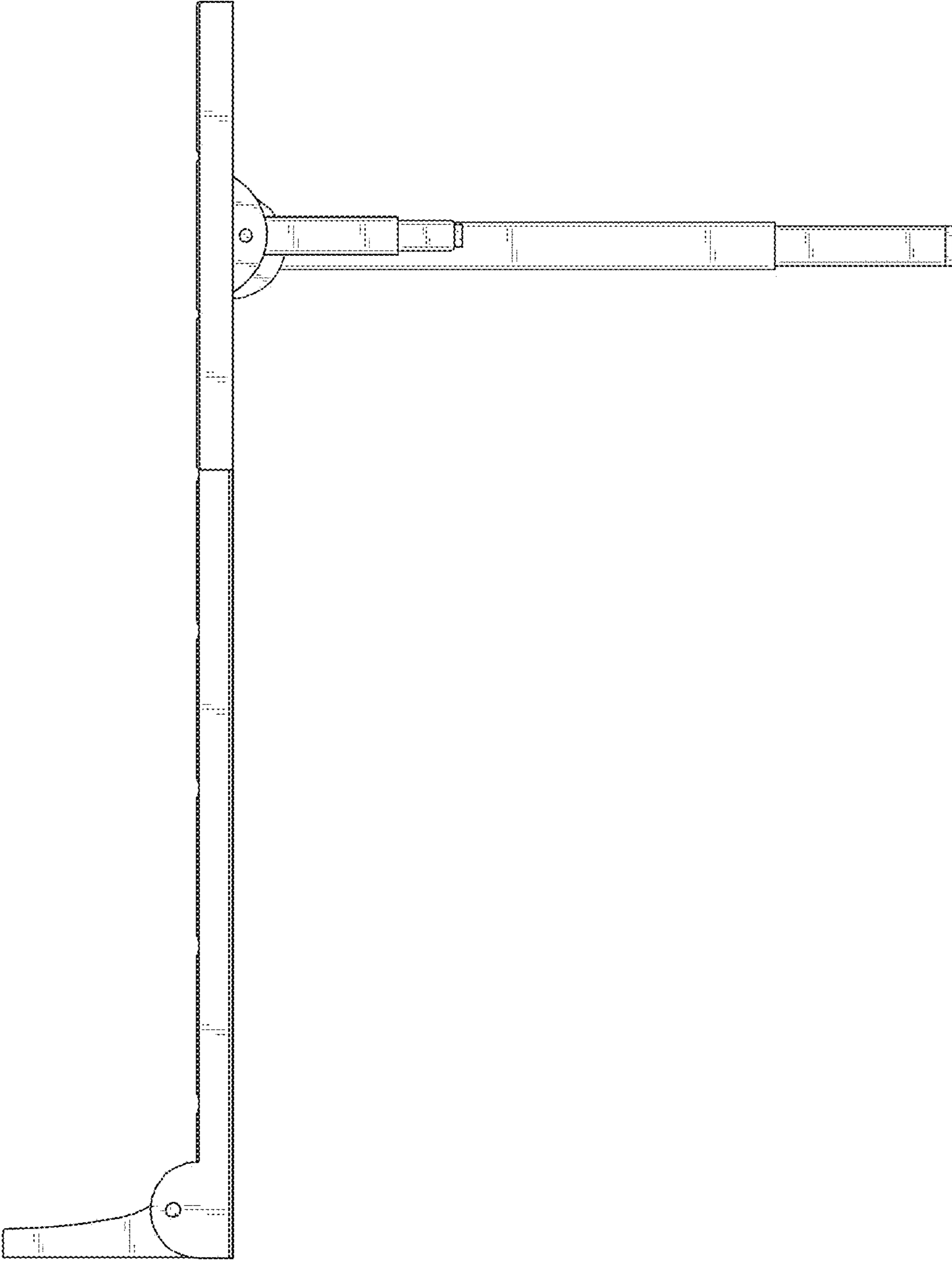


FIG. 3

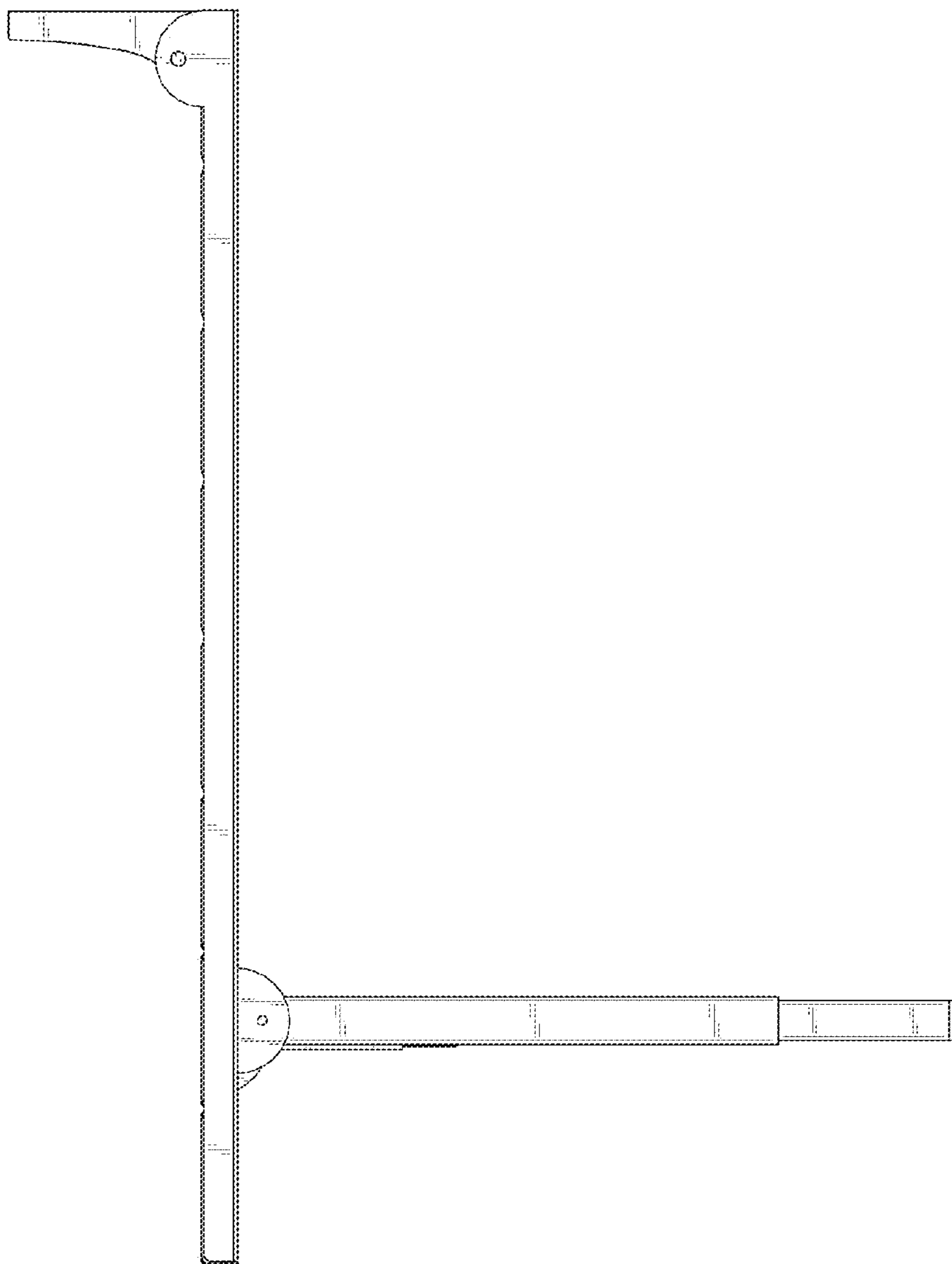


FIG. 4

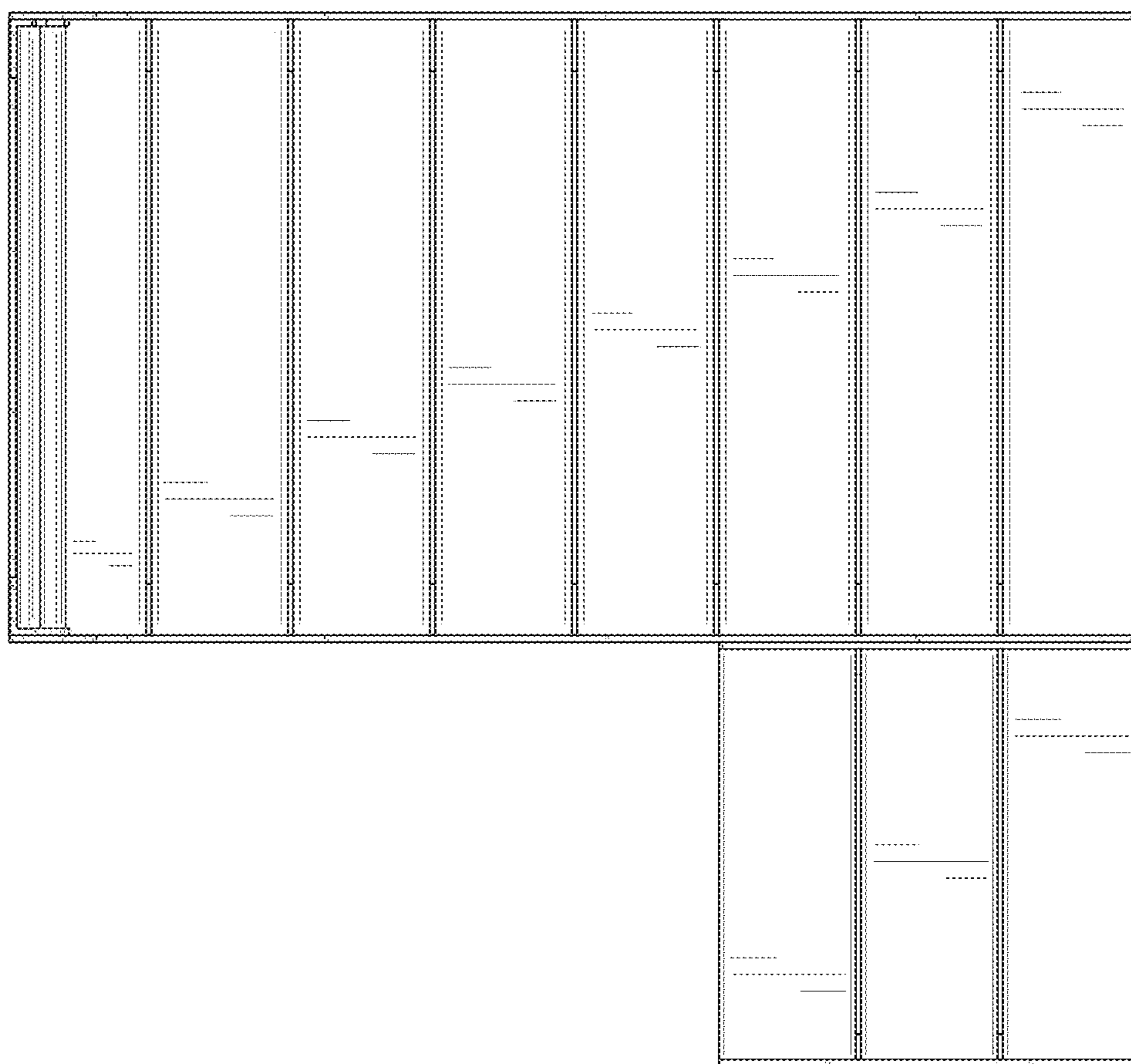


FIG. 5

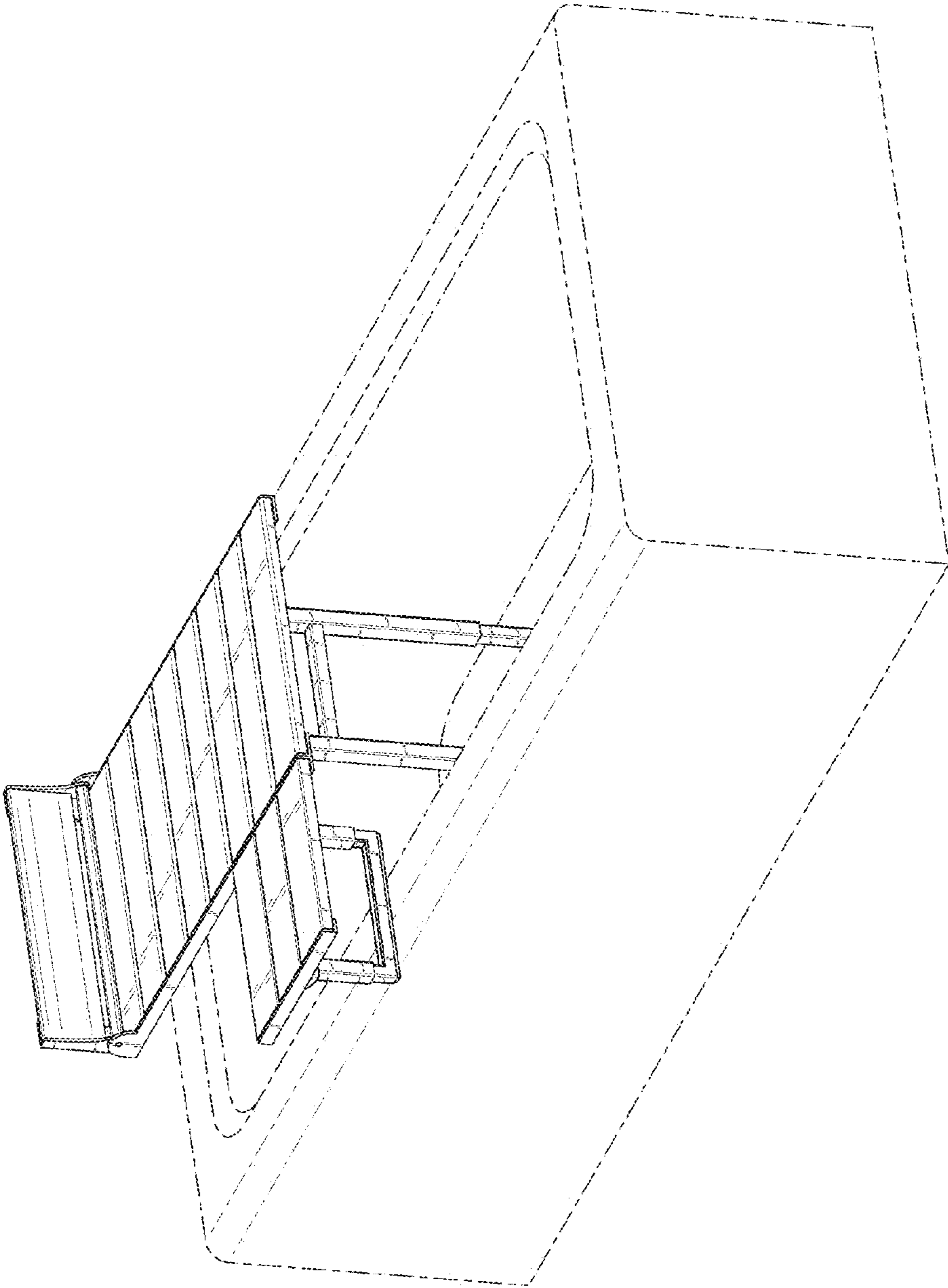


FIG. 6

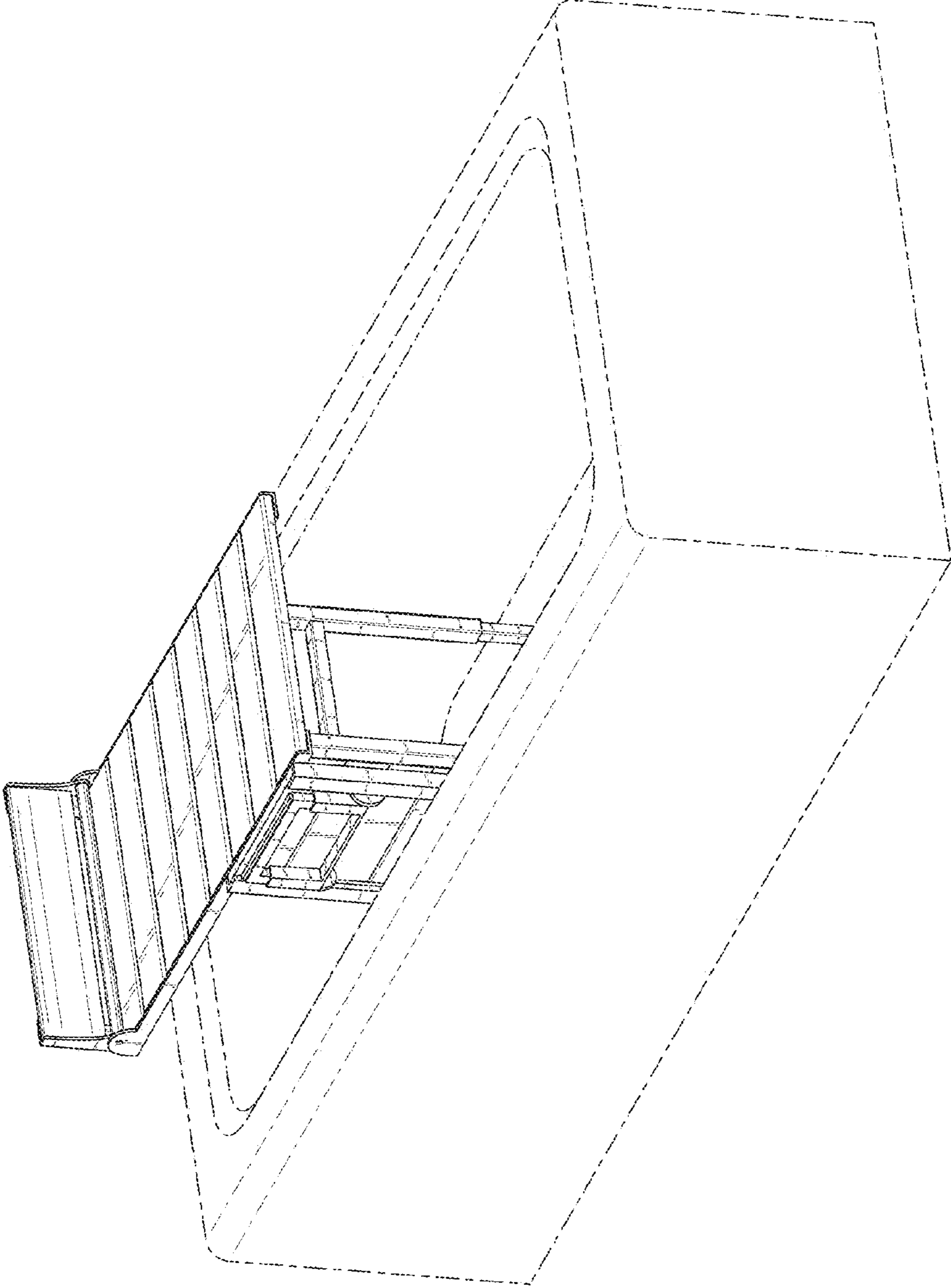


FIG. 7