



US00D764200S

(12) **United States Design Patent**
Elmaleh

(10) **Patent No.:** **US D764,200 S**
(45) **Date of Patent:** **** Aug. 23, 2016**

- (54) **STOOL**
- (71) Applicant: **Kore Design LLC**, Brooklyn, NY (US)
- (72) Inventor: **Jon Elmaleh**, Brooklyn, NY (US)
- (73) Assignee: **KORE DESIGN LLC**, Brooklyn, NY (US)
- (**) Term: **15 Years**
- (21) Appl. No.: **29/544,410**
- (22) Filed: **Nov. 3, 2015**

D225,283 S *	11/1972	Axelrod	D6/677
D283,856 S *	5/1986	Elmaleh	D6/349
D292,147 S *	10/1987	Lomedico	D6/349
D313,896 S *	1/1991	Kaye	D6/360
5,044,587 A *	9/1991	Degen	A47C 3/025 108/150
D381,821 S *	8/1997	Miles	D6/349
D454,438 S *	3/2002	Volkman	D6/349
D454,706 S *	3/2002	Volkman	D6/349
D565,313 S *	4/2008	Johnsen	D6/349
7,478,878 B2 *	1/2009	Oettinger	A47C 3/029 297/271.5
D668,464 S *	10/2012	Du	D6/353
D671,772 S *	12/2012	Lee	D6/692.3
D686,829 S *	7/2013	Elmaleh	D6/352
D720,143 S *	12/2014	Barber	D6/349
D741,073 S *	10/2015	Keen	D6/349
D746,073 S *	12/2015	Elmaleh	D6/349
D748,924 S *	2/2016	Walser	D6/352

Related U.S. Application Data

- (62) Division of application No. 29/496,820, filed on Jul. 17, 2014, now Pat. No. Des. 746,073.
- (51) **LOC (10) Cl.** **06-01**
- (52) **U.S. Cl.**
USPC **D6/352; D6/349**
- (58) **Field of Classification Search**
USPC D6/334-335, 349-355, 358, 360,
D6/362-365, 370, 374, 381, 691, 691.1,
D6/691.4, 692, 693, 694, 694.2
CPC A47C 9/00; A47C 9/02; A47C 9/002;
A47C 9/007; A47C 9/025; A47C 9/10;
A47C 11/00; A47C 12/00; A47C 13/00;
A47C 16/02; A47C 5/02; A47C 5/04; A47C
5/043; A47C 7/00-7/006; A47C 7/02; A47B
3/00; A47B 3/02; A47B 3/04; A47B 3/12
See application file for complete search history.

References Cited

U.S. PATENT DOCUMENTS

D86,133 S *	2/1932	Kanter	D6/352
3,312,437 A *	4/1967	Barth	A47C 9/025 248/158

* cited by examiner

Primary Examiner — Vy Koenig

(74) *Attorney, Agent, or Firm* — Notaro, Michalos & Zaccaria P.C.

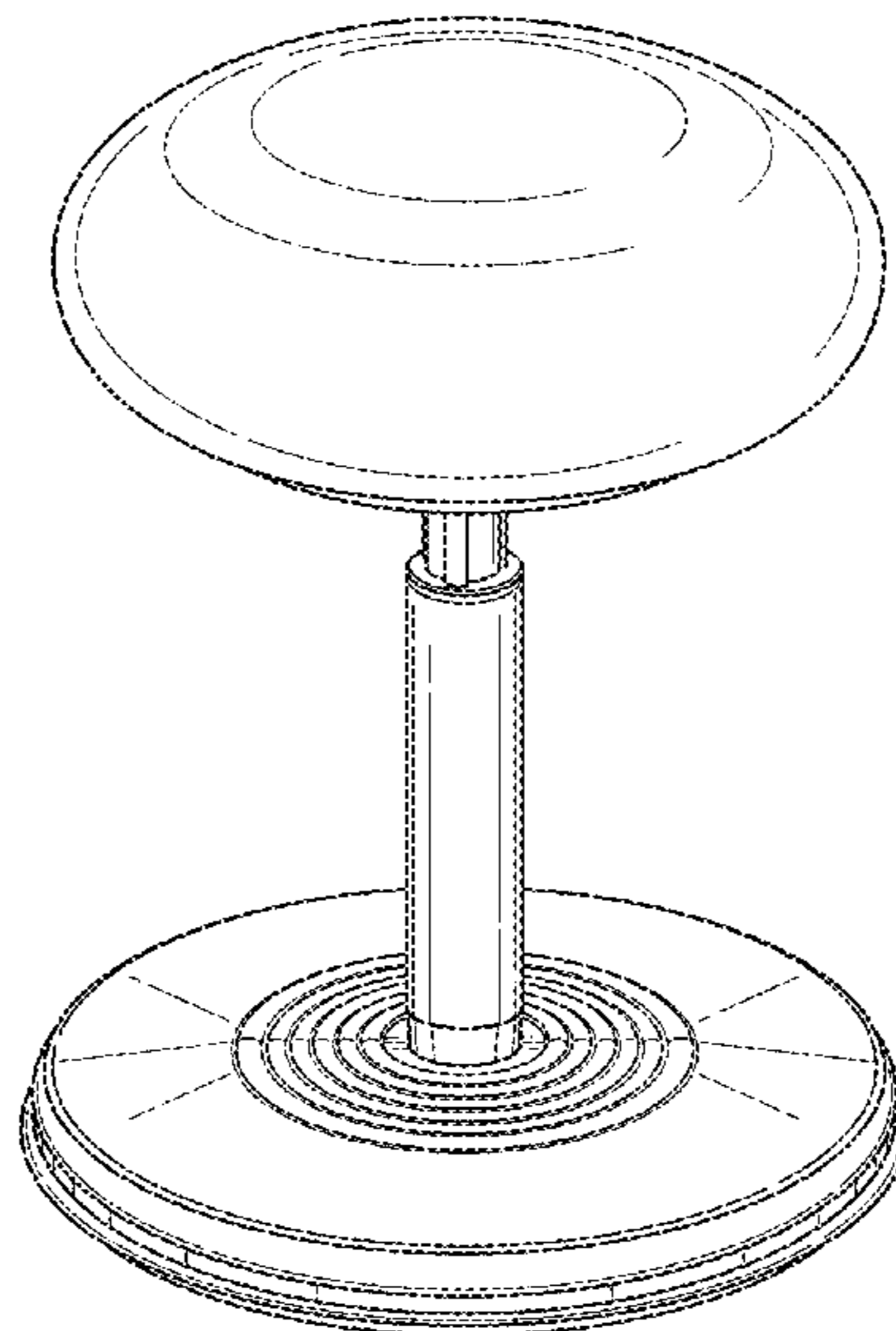
(57) **CLAIM**

The ornamental design for a stool, as shown and described.

DESCRIPTION

FIG. 1 is a top, side perspective view of a stool showing my design therefor;
 FIG. 2 is a bottom perspective view thereof;
 FIG. 3 is a front elevational view thereof, the rear being the same;
 FIG. 4 is a right side elevational view thereof, the left being the same;
 FIG. 5 is a top plan view thereof; and,
 FIG. 6 is a bottom plan view thereof.

1 Claim, 6 Drawing Sheets



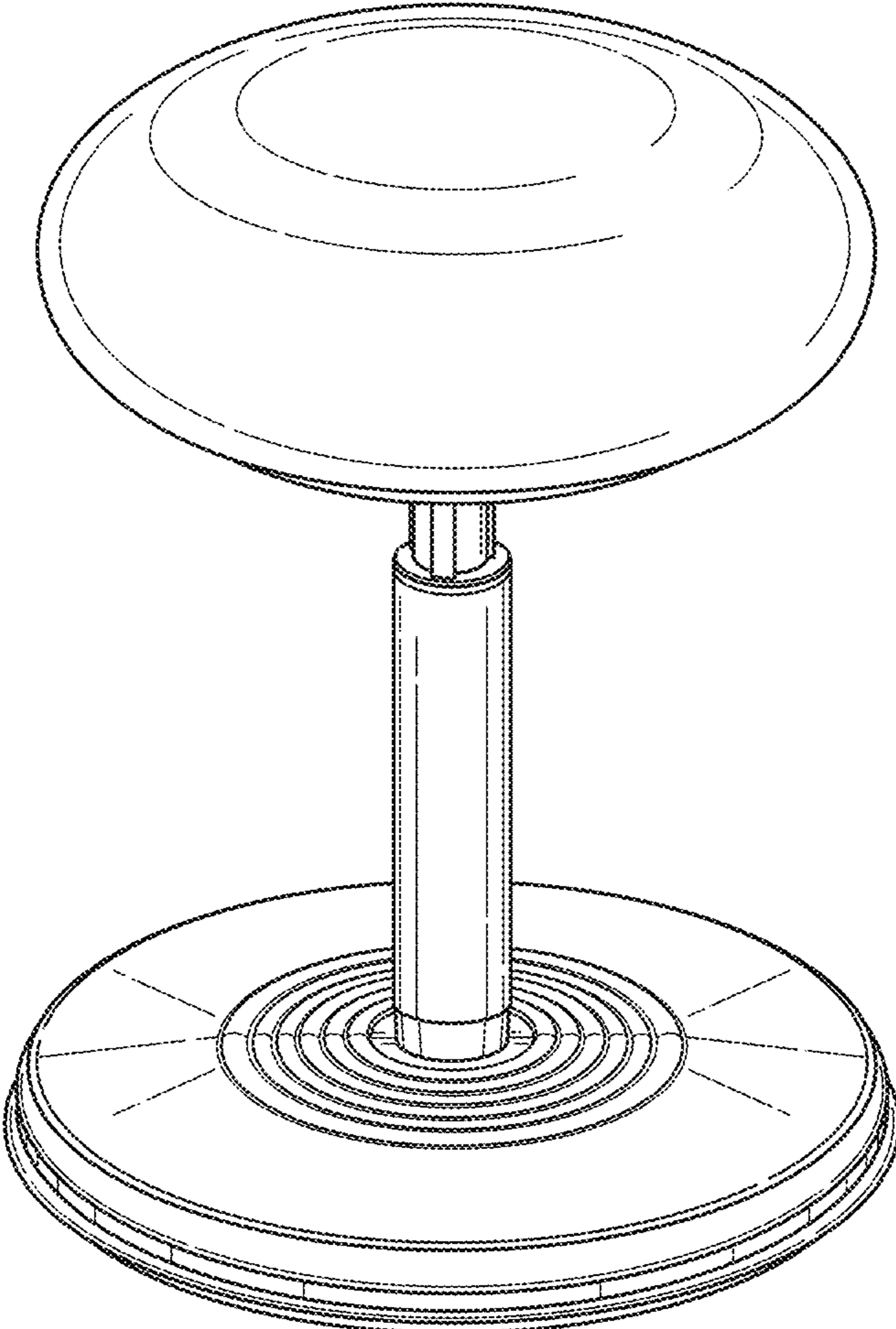


FIG. 1

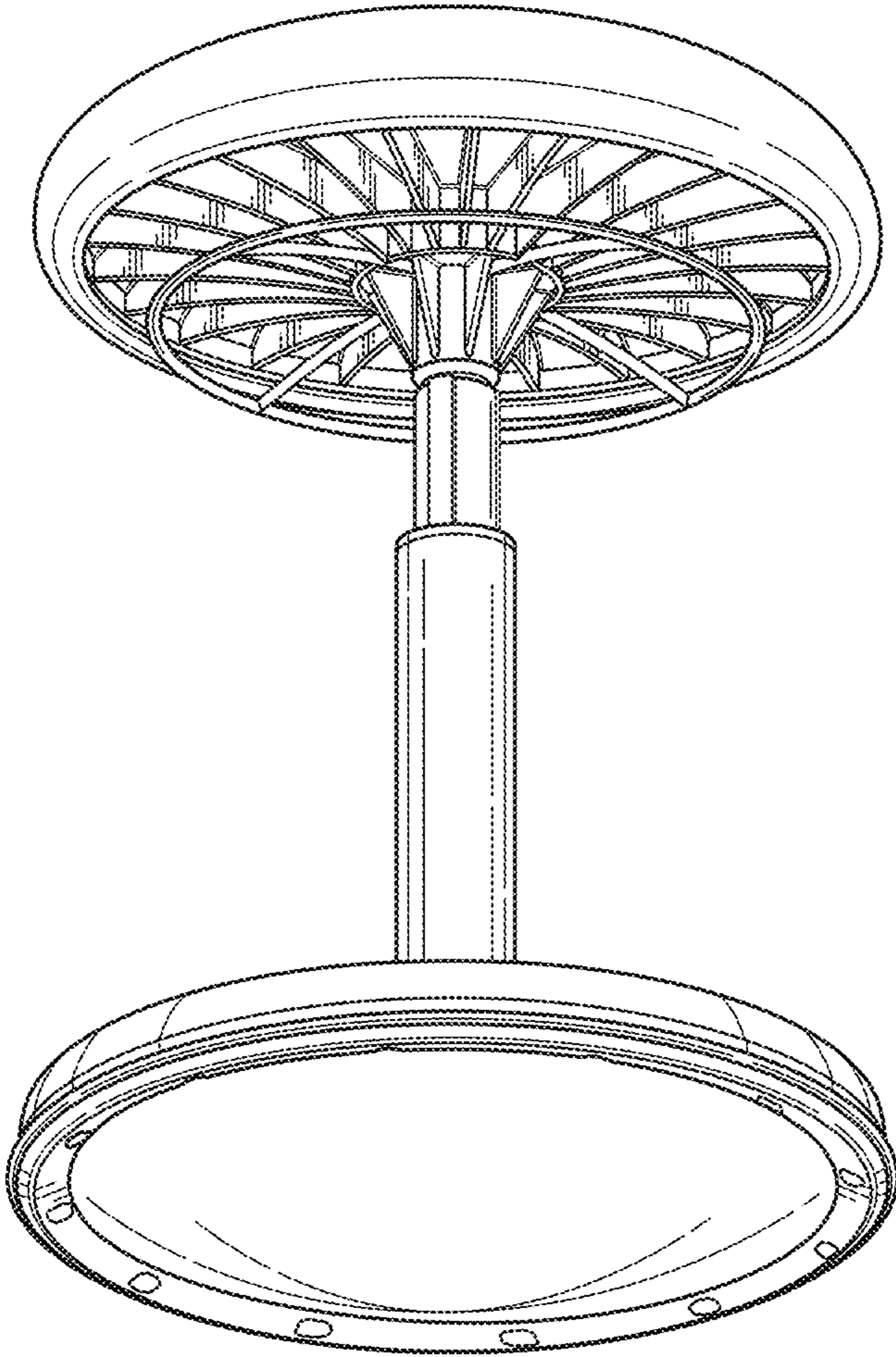


FIG. 2

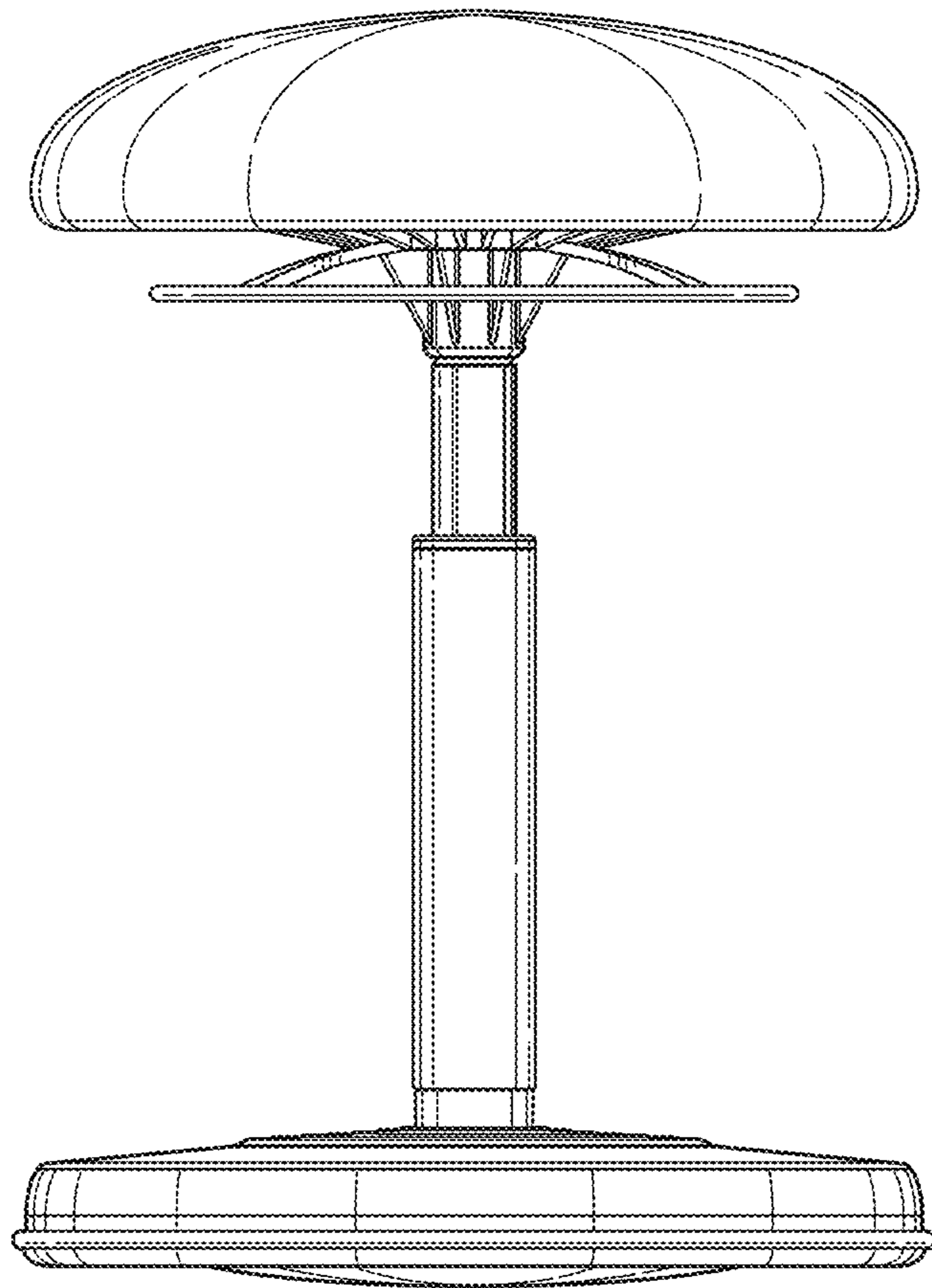


FIG. 3

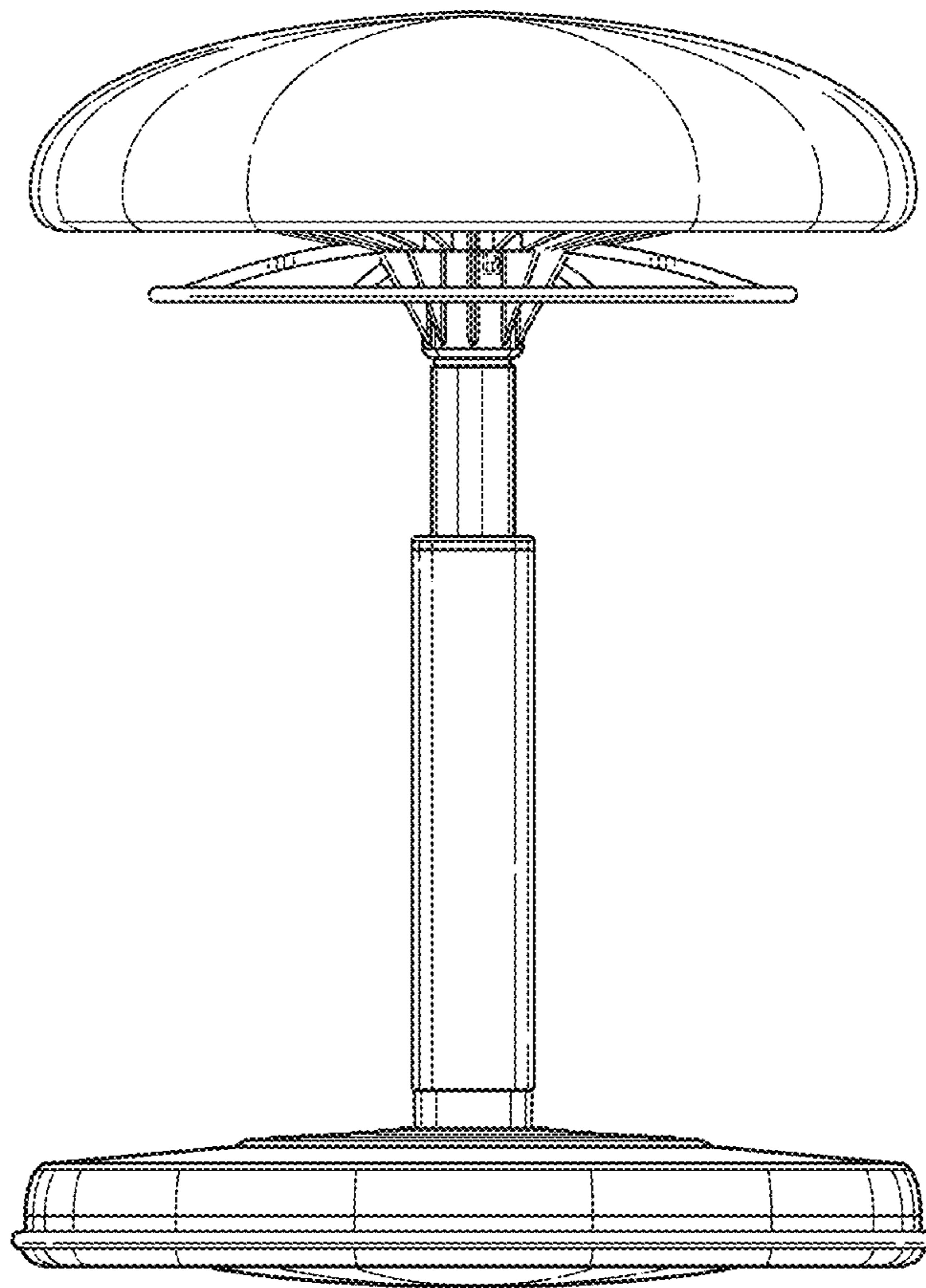


FIG. 4

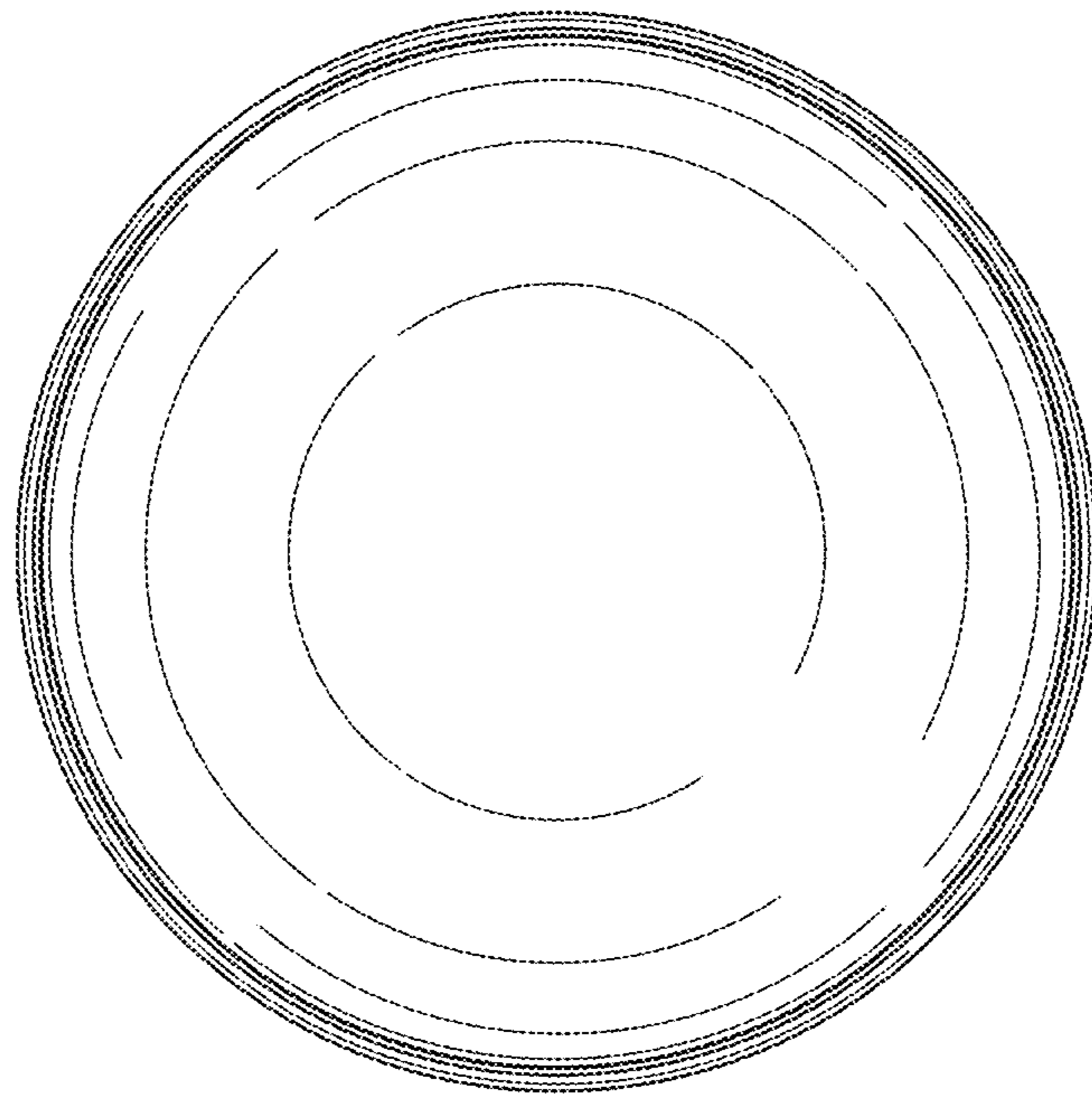


FIG. 5

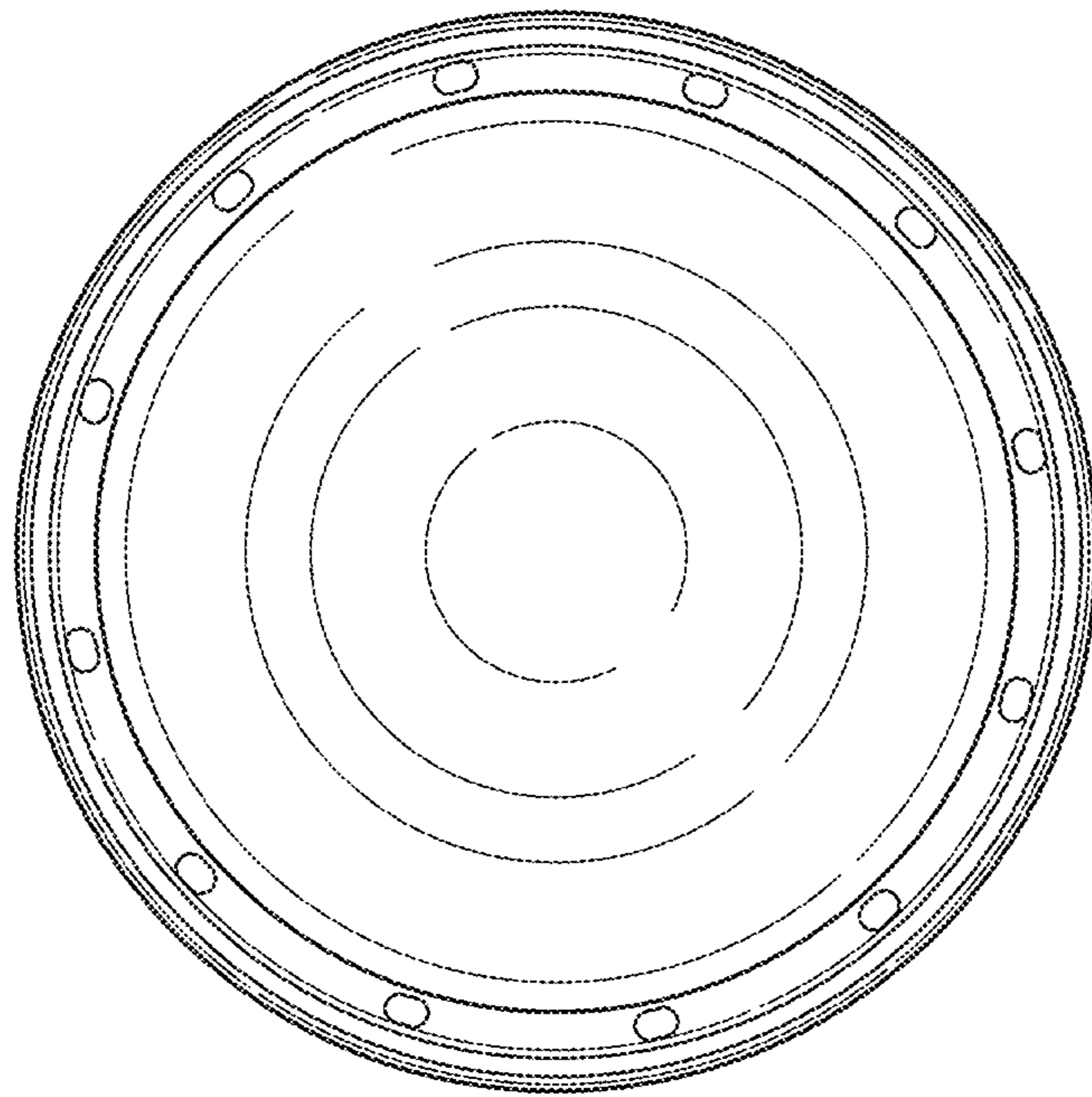


FIG. 6