



US00D764199S

(12) **United States Design Patent**
Bosman et al.

(10) **Patent No.:** **US D764,199 S**

(45) **Date of Patent:** **** Aug. 23, 2016**

(54) **LOUNGE FURNITURE**

(71) Applicant: **Krueger International, Inc.**, Green Bay, WI (US)

(72) Inventors: **Scott A. Bosman**, Green Bay, WI (US);
Tad E. Lenhart, DePere, WI (US); **Scott J. Williams**, Green Bay, WI (US)

(73) Assignee: **Krueger International, Inc.**, Green Bay, WI (US)

(**) Term: **14 Years**

(21) Appl. No.: **29/521,015**

(22) Filed: **Mar. 19, 2015**

(51) **LOC (10) Cl.** **06-01**

(52) **U.S. Cl.**
USPC **D6/352**; D6/692

(58) **Field of Classification Search**
USPC D6/334-335, 349-355, 358, 360,
D6/362-365, 370, 374, 381, 691, 691.1,
D6/691.4, 692, 693, 694, 694.2
CPC A47C 9/00; A47C 9/02; A47C 9/002;
A47C 9/007; A47C 9/025; A47C 9/10;
A47C 11/00; A47C 12/00; A47C 13/00;
A47C 16/02; A47C 5/02; A47C 5/04; A47C
5/043; A47C 7/00-7/006; A47C 7/02; A47B
3/00; A47B 3/02; A47B 3/04; A47B 3/12
See application file for complete search history.

(56) **References Cited**

U.S. PATENT DOCUMENTS

- | | | | | |
|---------------|---------|-----------|-------|----------------------|
| D161,217 S * | 12/1950 | Silverman | | D6/690 |
| D211,170 S | 5/1968 | Carsello | | |
| 3,536,359 A * | 10/1970 | Amos | | A47C 3/04
297/239 |
| D233,478 S * | 10/1974 | McQuarrie | | D14/199 |
| D240,871 S * | 8/1976 | Herman | | D6/352 |
| 4,294,426 A | 10/1981 | Fleischer | | |
| D262,245 S * | 12/1981 | Kane | | D6/358 |
| D269,309 S * | 6/1983 | Pickler | | D6/352 |

- | | | | | |
|--------------|---------|-------------------|-------|--------|
| D277,906 S * | 3/1985 | Platner | | D6/352 |
| D286,345 S * | 10/1986 | Stanislowski, Jr. | | D6/349 |
| D348,361 S | 7/1994 | Beecher | | |

(Continued)

FOREIGN PATENT DOCUMENTS

EP 2 568 852 B1 6/2014

OTHER PUBLICATIONS

Sway Ottoman. [online] Retrieved Mar. 7, 2016 from URL: <http://www.ki.com/Products/Product_Groups/Sway_Ottoman.aspx>.*

(Continued)

Primary Examiner — Vy Koenig

(74) *Attorney, Agent, or Firm* — Andrus Intellectual Property Law, LLP

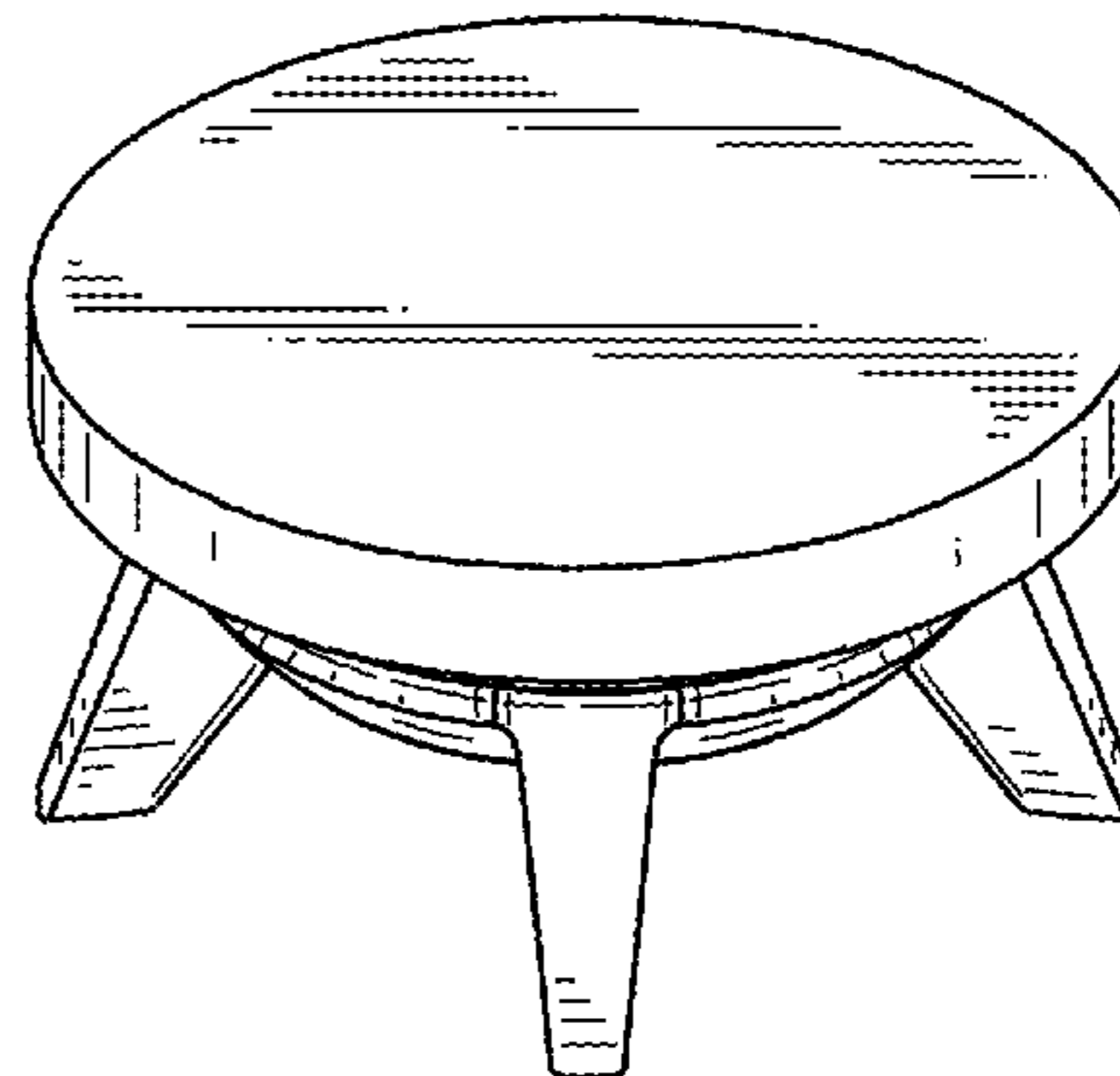
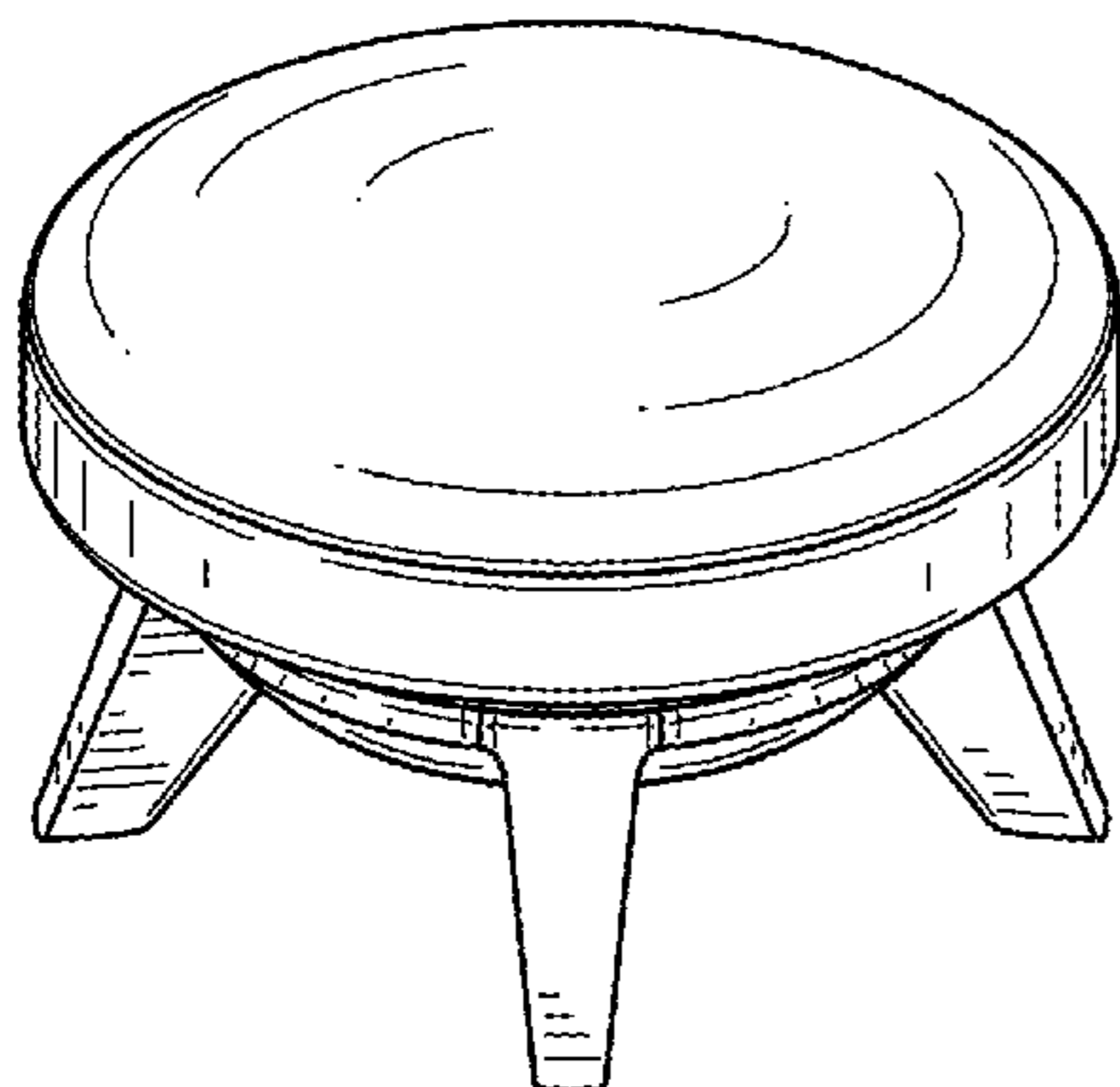
(57) **CLAIM**

The ornamental design for lounge furniture, as shown and described.

DESCRIPTION

FIG. 1 is an isometric view of lounge furniture;
 FIG. 2 is a front elevation view thereof;
 FIG. 3 is a rear elevation view thereof;
 FIG. 4 is a right side elevation view thereof, where the left side elevation view is a mirror image thereof;
 FIG. 5 is a top plan view thereof;
 FIG. 6 is a bottom plan view thereof;
 FIG. 7 is an isometric view of a second embodiment of lounge furniture;
 FIG. 8 is a front elevation view thereof;
 FIG. 9 is a rear elevation view thereof;
 FIG. 10 is a right side elevation view thereof, where the left side elevation view is a mirror image thereof;
 FIG. 11 is a top plan view thereof; and,
 FIG. 12 is a bottom plan view thereof.
 The broken lines shown in the drawing Figures are meant to indicate environment only and form no part of the claimed design.

1 Claim, 6 Drawing Sheets



(56)

References Cited

OTHER PUBLICATIONS

U.S. PATENT DOCUMENTS

D375,855 S * 11/1996 Marx D6/351
D396,565 S * 8/1998 Gager D6/349
D420,520 S 2/2000 Johnston
6,176,548 B1 1/2001 Thole et al.
7,140,685 B2 11/2006 Gardner
7,575,276 B1 8/2009 Henry
D660,041 S * 5/2012 Rode D6/374
2009/0188410 A1 7/2009 Billich

Sway Occasional Table. [online] Retrieved Mar. 7, 2016 from URL:

<http://www.ki.com/Products/Product_Groups/Sway_Ottoman.

aspx>.*

* cited by examiner

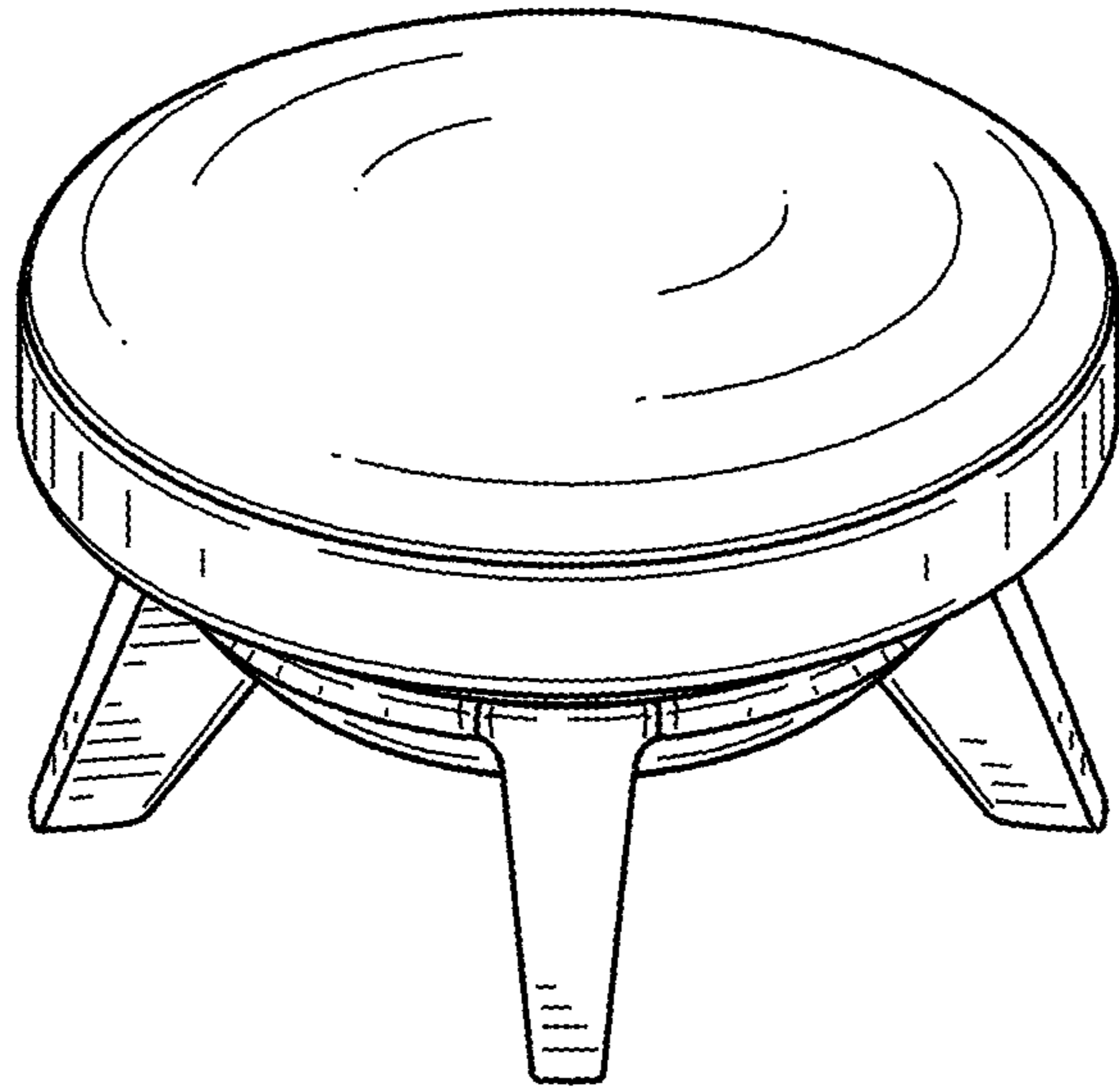


FIG. 1

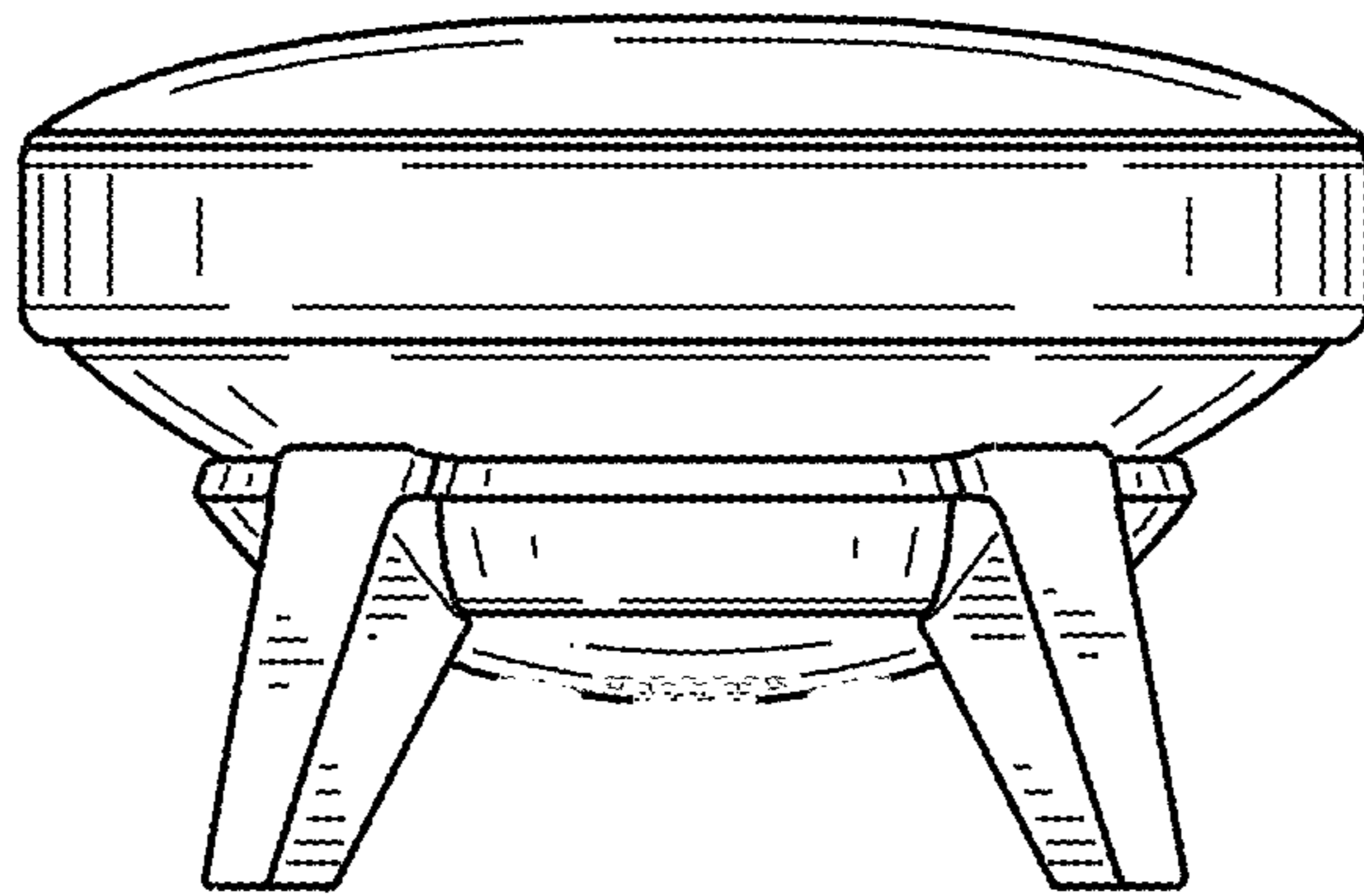


FIG. 2

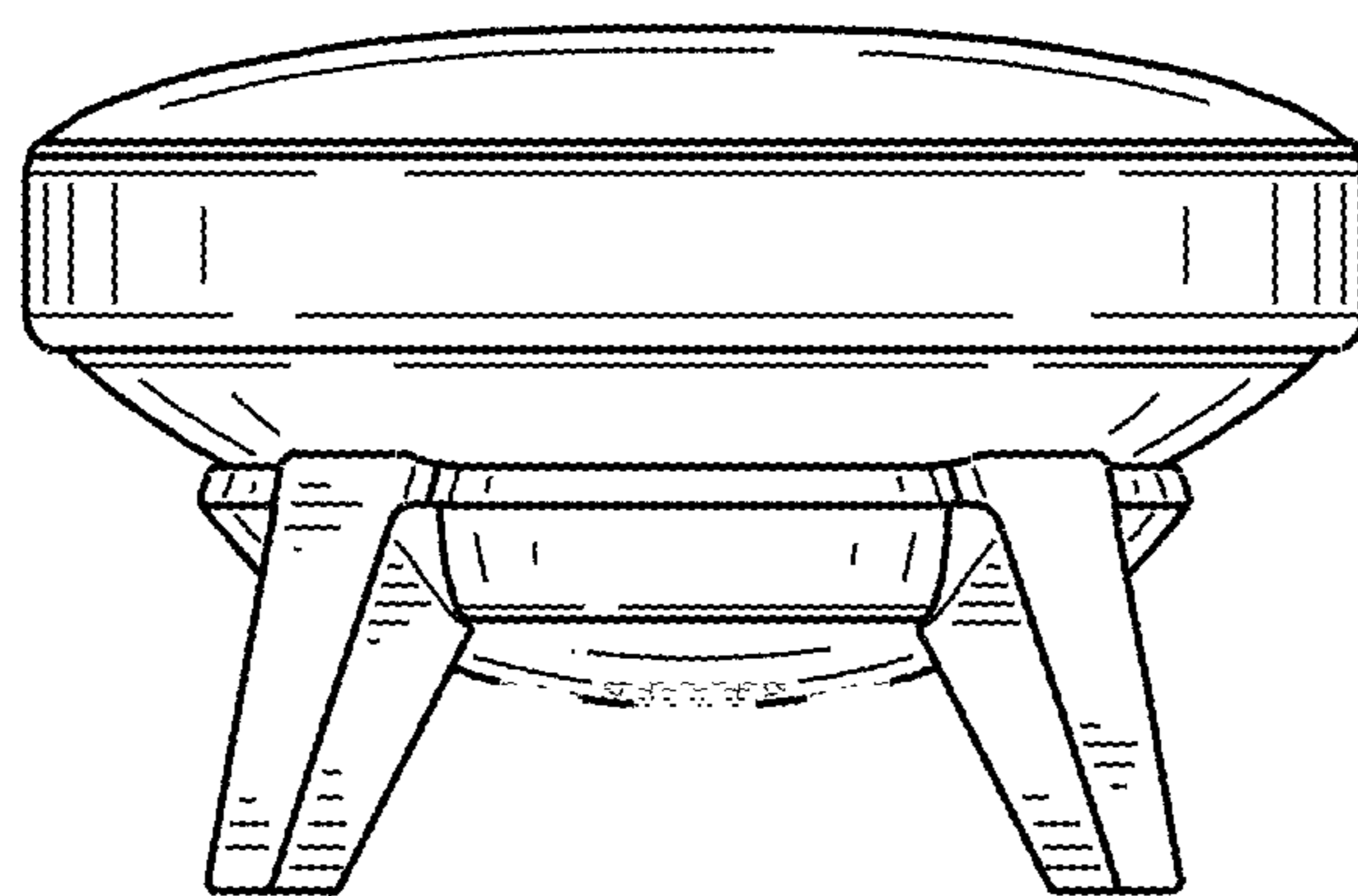


FIG. 3

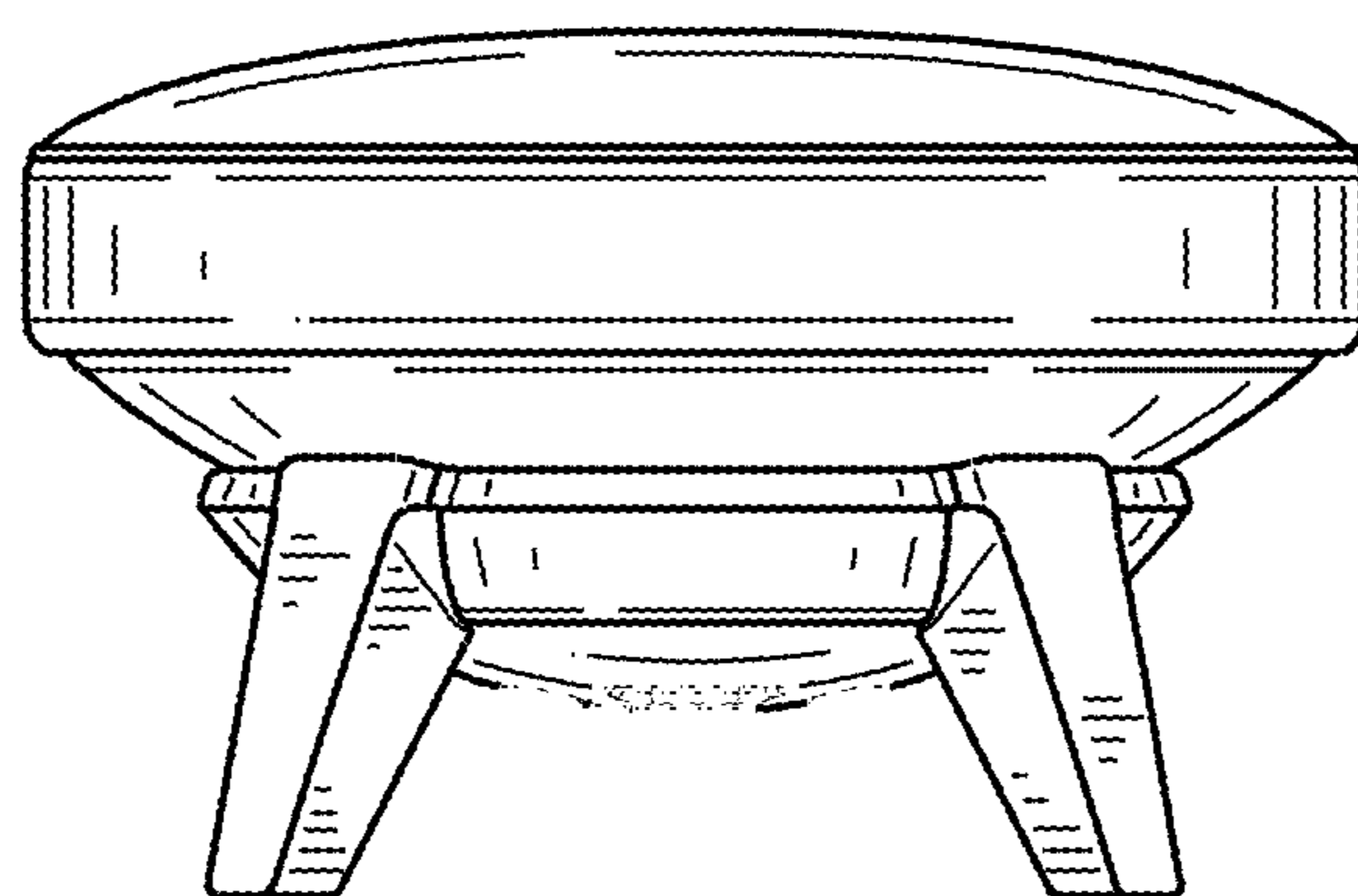


FIG. 4

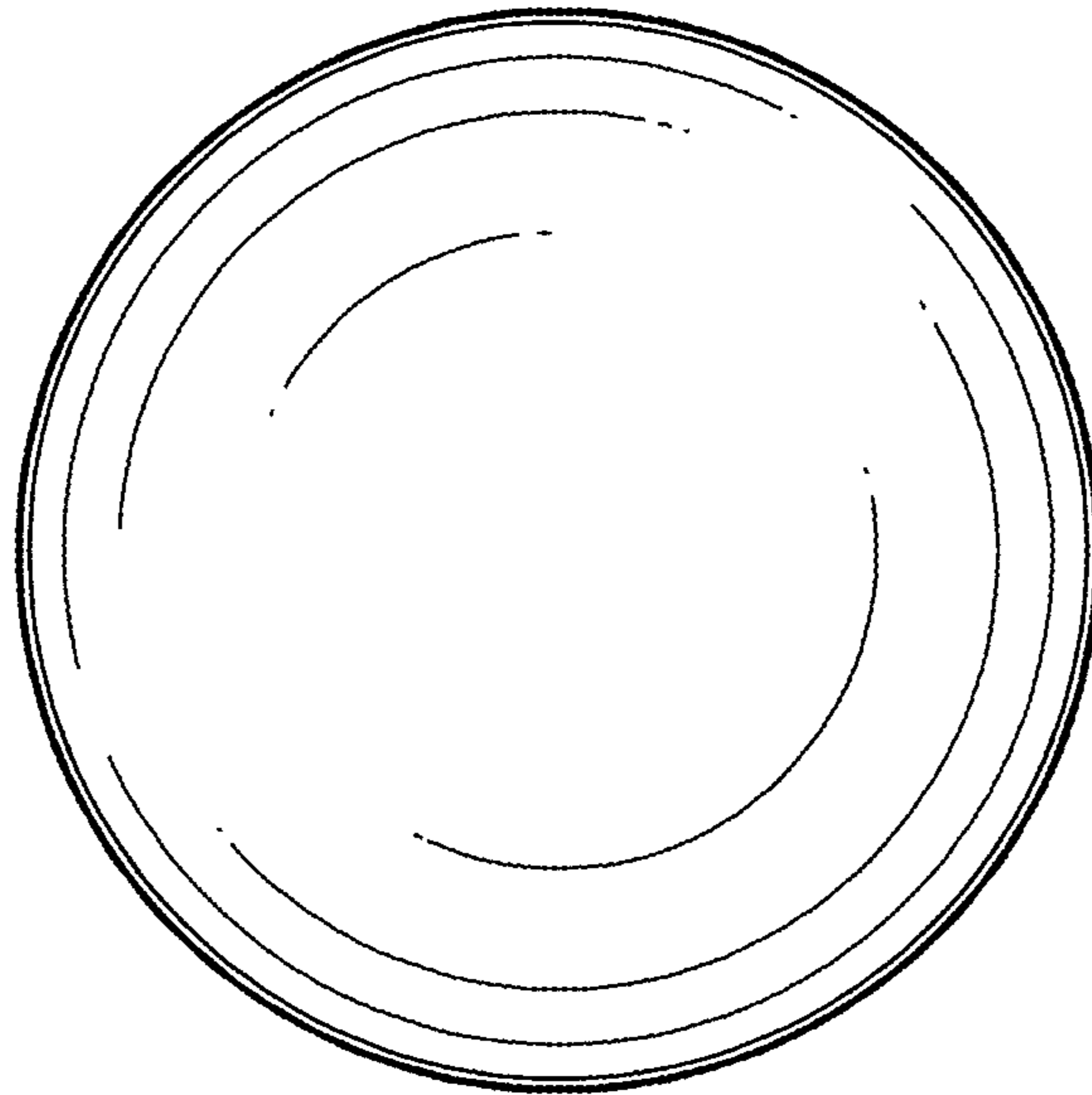


FIG. 5

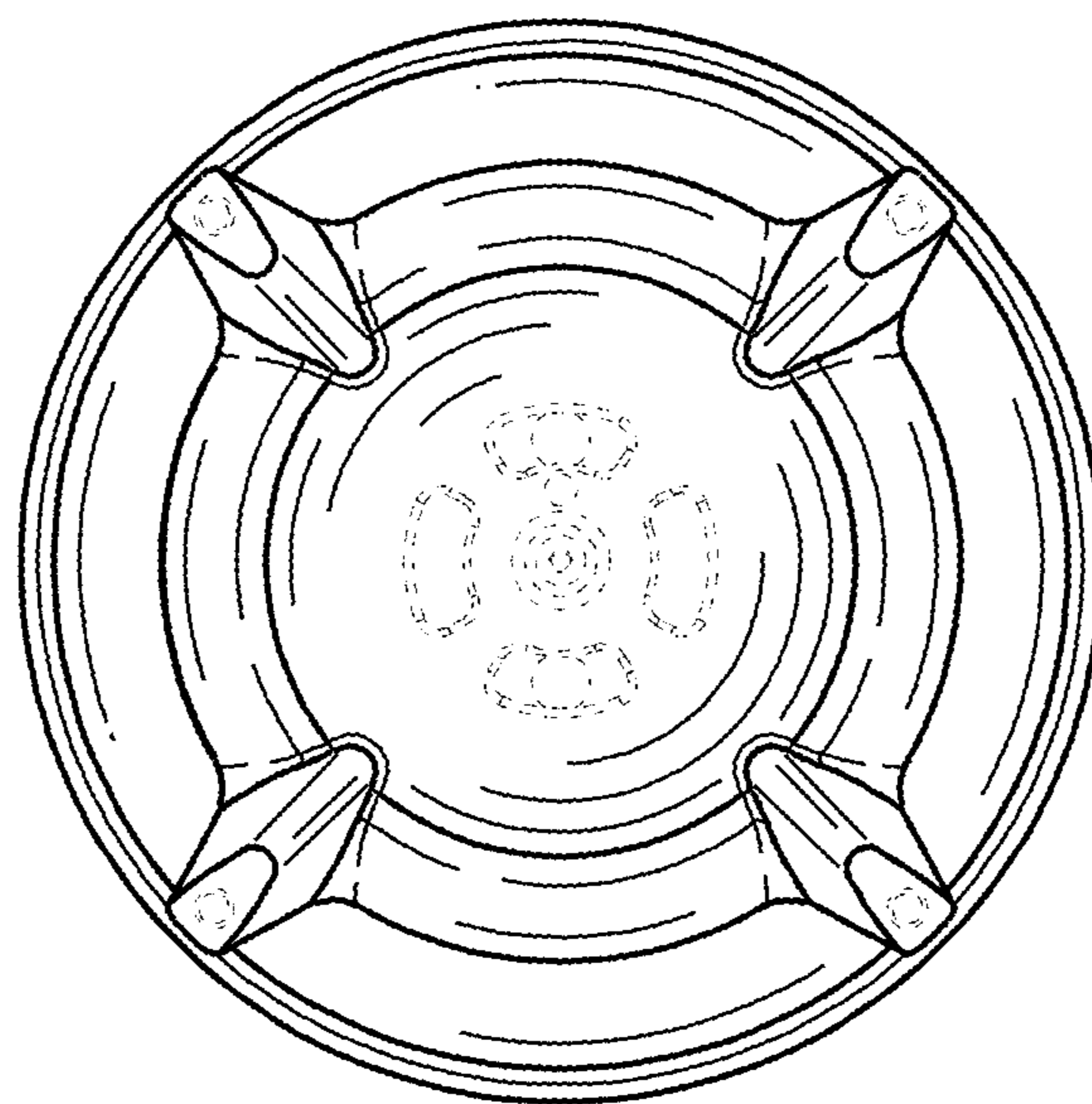


FIG. 6

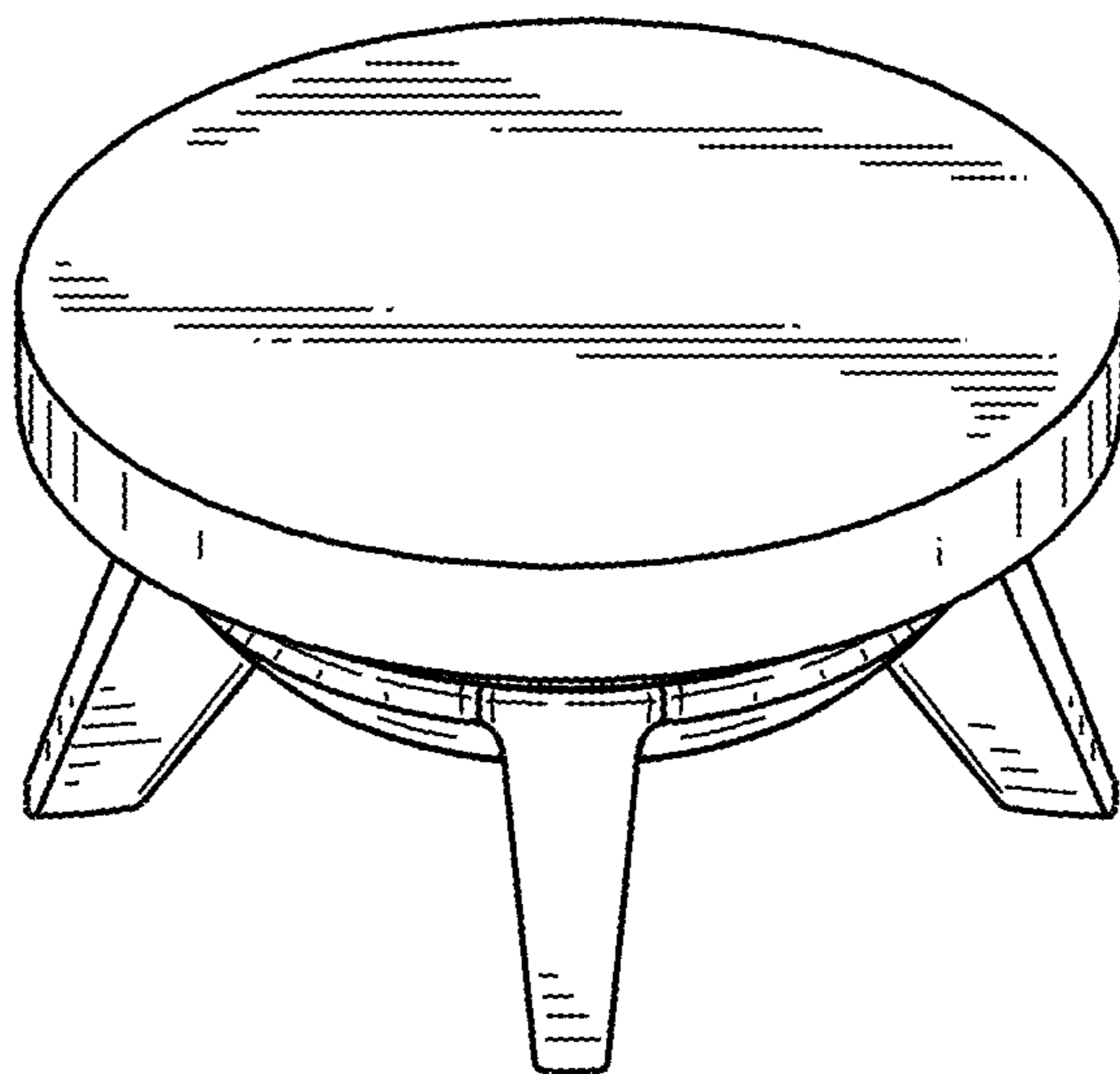


FIG. 7

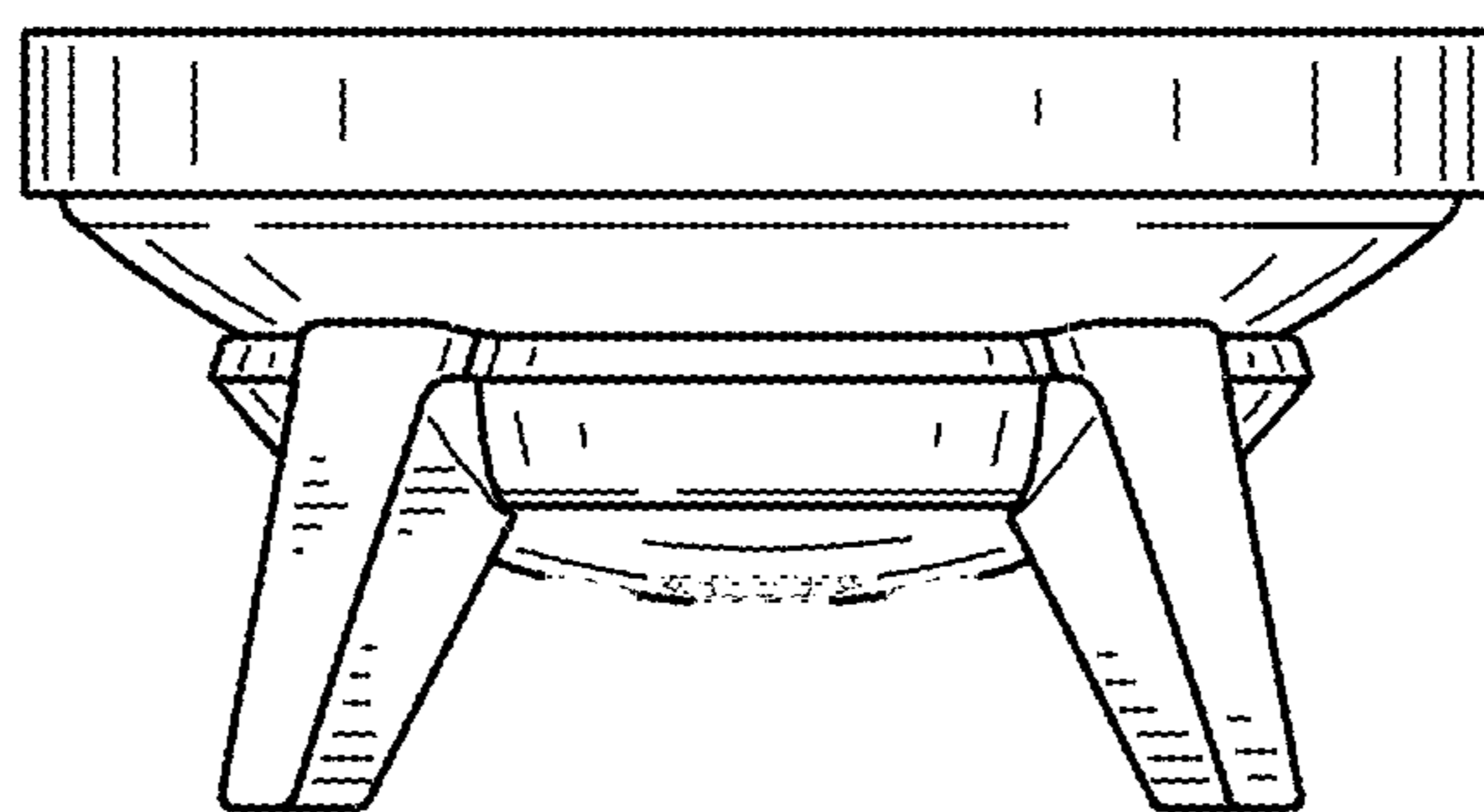


FIG. 8

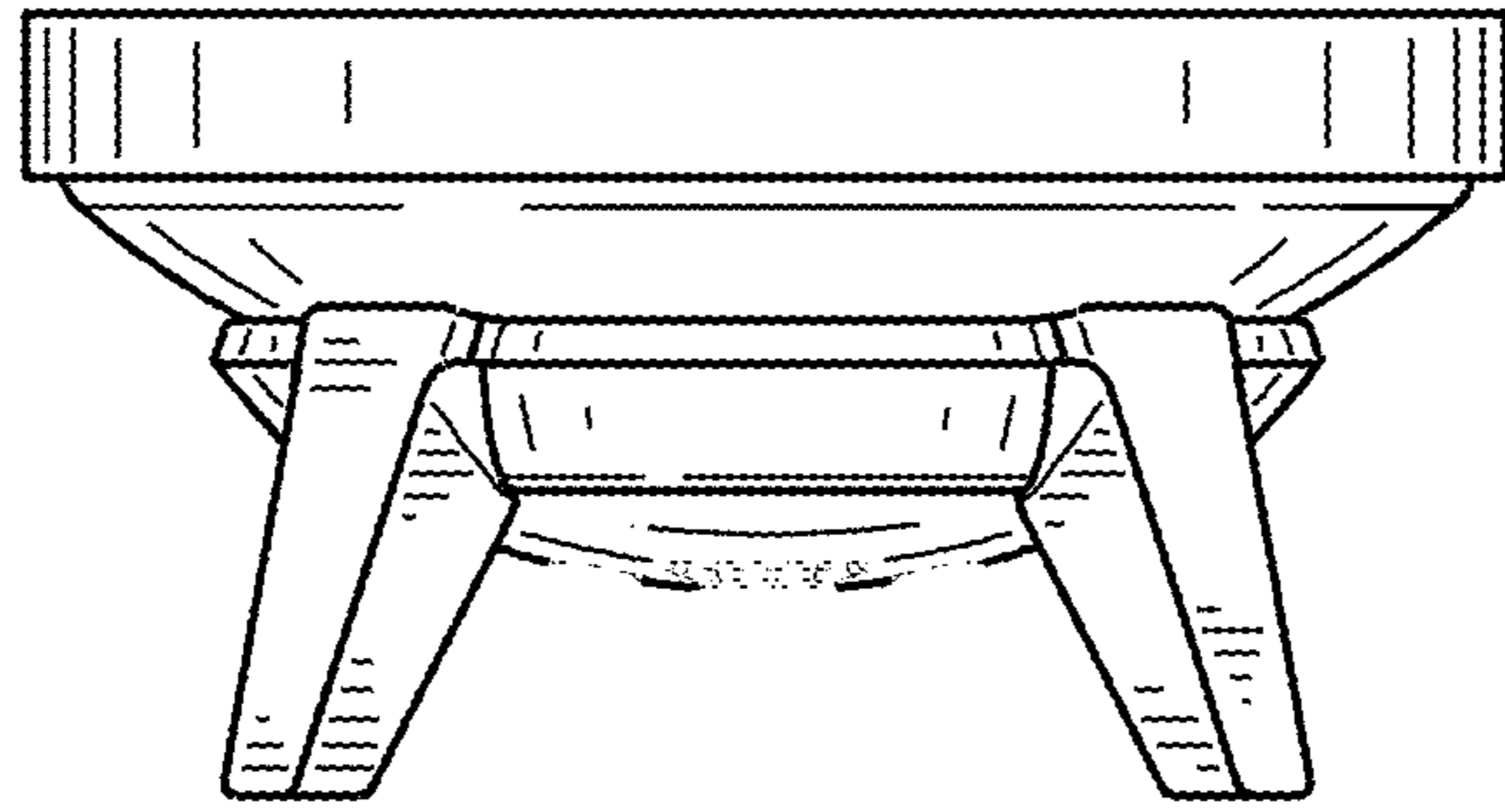


FIG. 9

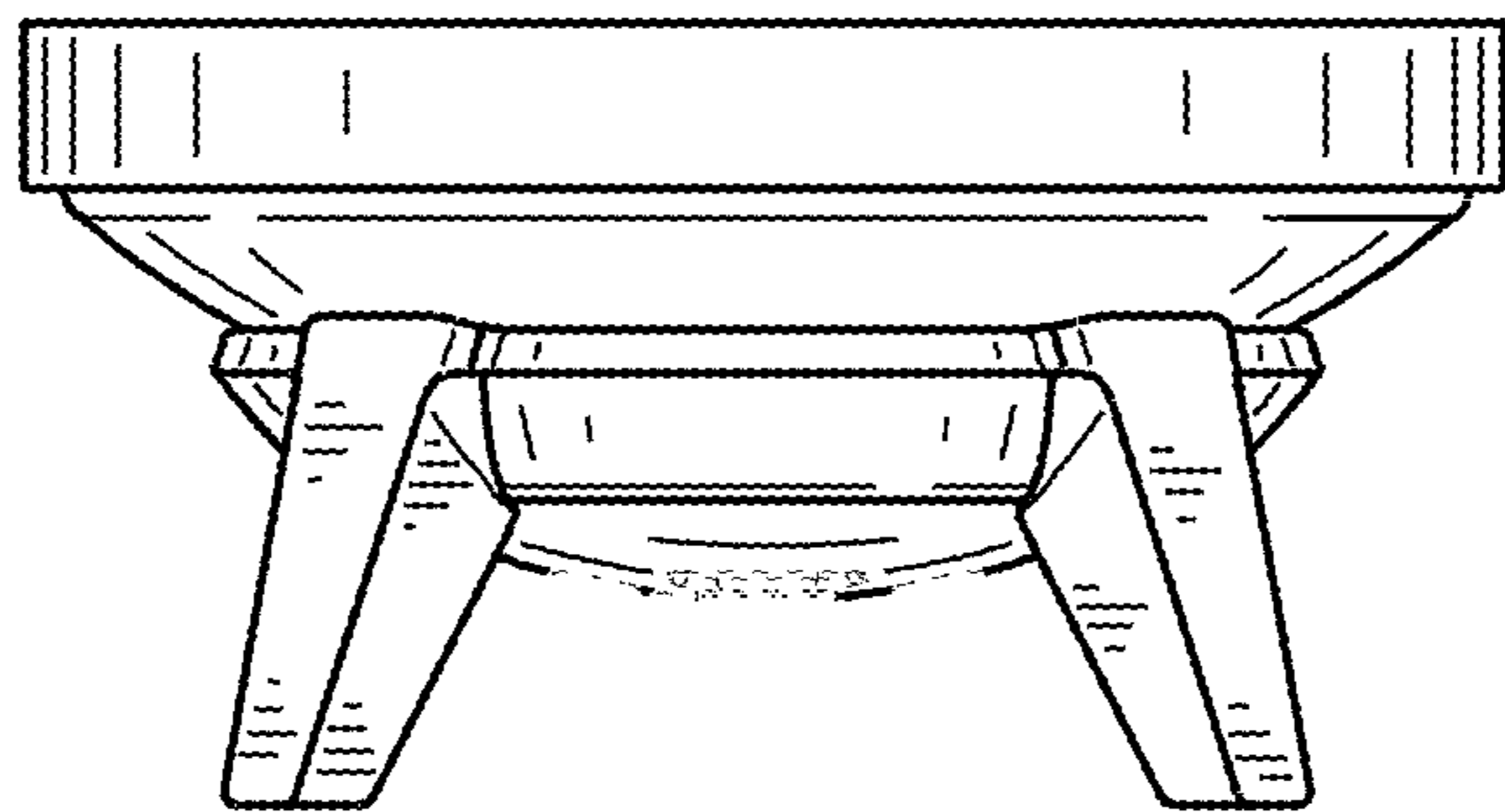


FIG. 10

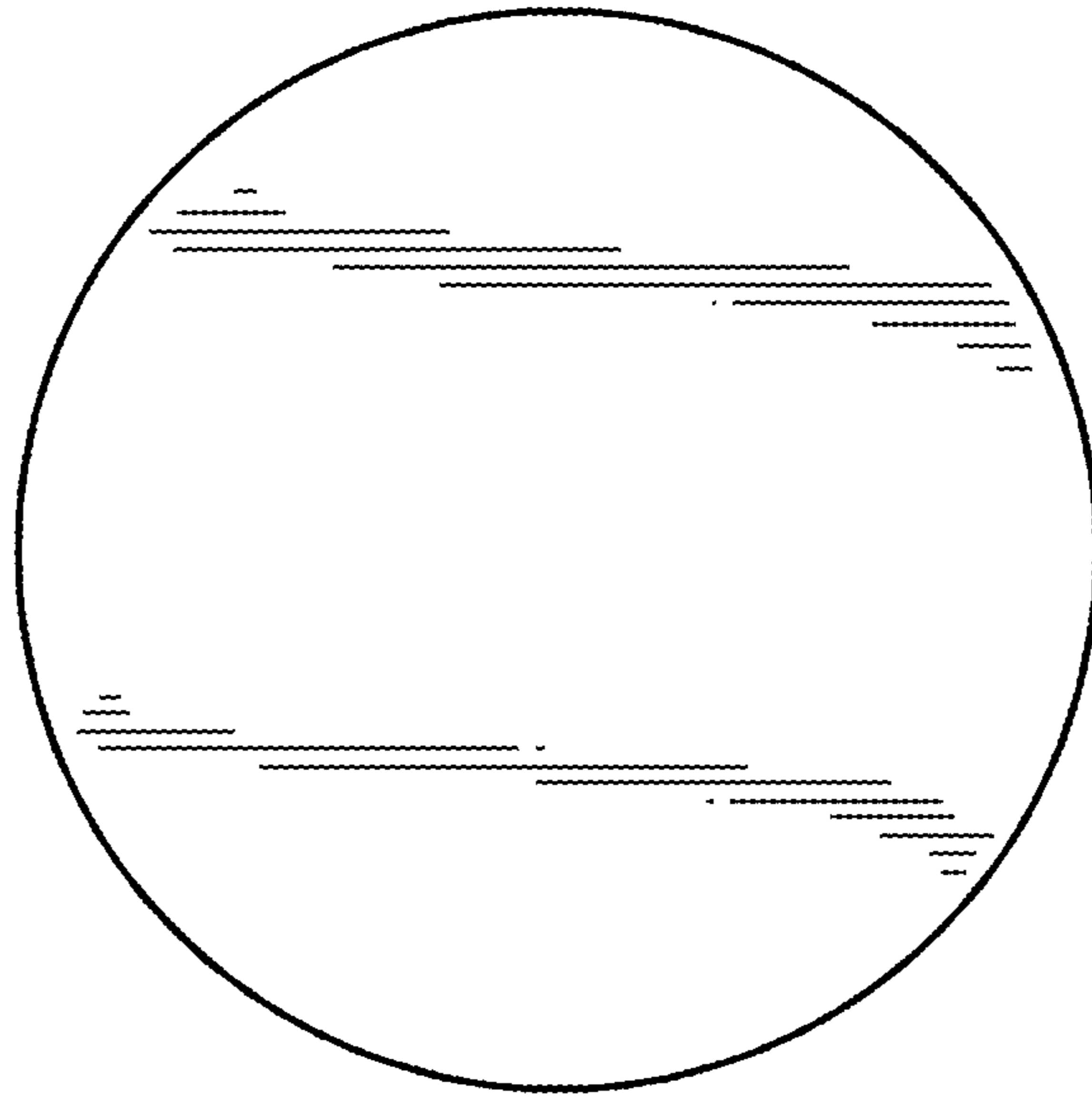


FIG. 11

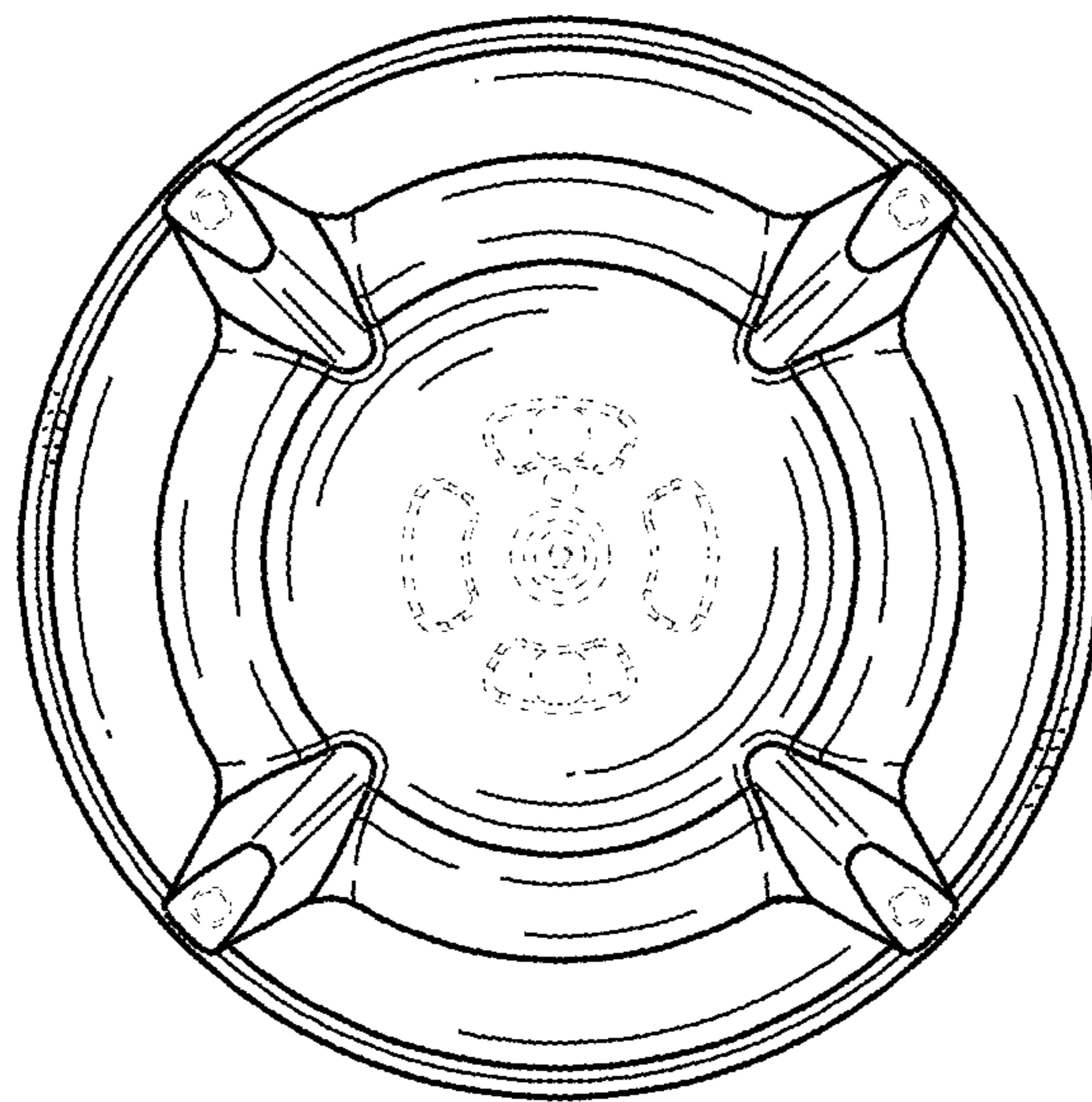


FIG. 12