

US00D764196S

(12) **United States Design Patent**
Handler et al.

(10) **Patent No.:** **US D764,196 S**

(45) **Date of Patent:** **** Aug. 23, 2016**

(54) **STOOL**

(71) Applicants: **Sheryl Handler**, Cambridge, MA (US);
Nadine M. Volicer, Boston, MA (US);
Carl Martinez, Easton, PA (US); **Kelly**
Louise Casilio, West Newton, MA (US)

(72) Inventors: **Sheryl Handler**, Cambridge, MA (US);
Nadine M. Volicer, Boston, MA (US);
Carl Martinez, Easton, PA (US); **Kelly**
Louise Casilio, West Newton, MA (US)

(**) Term: **14 Years**

(21) Appl. No.: **29/502,593**

(22) Filed: **Sep. 17, 2014**

(51) **LOC (10) Cl.** **06-01**

(52) **U.S. Cl.**
USPC **D6/352; D6/360**

(58) **Field of Classification Search**

USPC D6/333, 335, 340, 344, 347, 349–355,
D6/358, 360, 363–365, 381, 406.6, 596,
D6/601, 648, 662.1, 675, 677, 685–687,
D6/688.15, 688.27, 690, 691, 691.8,
D6/692.1–692.3, 695.1, 708.16, 708.2,
D6/709, 709.2, 709.22, 711, 716–716.7,
D6/717

CPC A47C 1/14; A47C 3/00; A47C 3/04;
A47C 3/14; A47C 3/16; A47C 3/18; A47C
3/20; A47C 3/36; A47C 4/00; A47C 4/28;
A47C 4/30; A47C 4/38; A47C 4/42; A47C
4/48; A47C 5/02; A47C 5/04; A47C 5/043;
A47C 7/00–7/006; A47C 7/02; A47C 9/00;
A47C 9/02; A47C 9/002; A47C 9/007;
A47C 9/025; A47C 9/10; A47C 11/00;
A47C 12/00; A47C 13/00; A47C 16/02;
A47B 7/00–7/02; A47B 45/00; A47B
47/04–47/045; A47B 3/00; A47B 3/02;
A47B 3/04; A47B 3/12

See application file for complete search history.

(56) **References Cited**

U.S. PATENT DOCUMENTS

| | | | | | | |
|-----------|---|---|---------|------------------|-------|----------------------|
| D127,494 | S | * | 5/1941 | Wesling | | D6/352 |
| D151,984 | S | * | 12/1948 | Guertin | | 297/144 |
| D156,463 | S | * | 12/1949 | Rita | | D6/352 |
| 3,536,359 | A | * | 10/1970 | Amos | | A47C 3/04 297/239 |
| D234,477 | S | * | 3/1975 | Lockhardt et al. | | D6/349 |
| D237,564 | S | * | 11/1975 | Layton | | D6/692.3 |
| D275,155 | S | * | 8/1984 | Carlin | | D6/353 |
| D280,580 | S | * | 9/1985 | Appel | | D6/692.1 |
| D283,856 | S | * | 5/1986 | Elmaleh | | D6/349 |
| D292,250 | S | * | 10/1987 | Finkelstein | | D6/687 |
| 5,425,313 | A | * | 6/1995 | Rowan | | A47B 1/00 108/140 |
| D442,073 | S | * | 5/2001 | Lyndon | | D6/323 |
| D450,496 | S | * | 11/2001 | Schwartz | | D6/708.2 |
| D523,251 | S | * | 6/2006 | Parpala | | D6/352 |
| D530,109 | S | * | 10/2006 | Barrett | | D6/352 |
| D653,059 | S | * | 1/2012 | Birch | | D6/690 |
| D664,779 | S | * | 8/2012 | Weber | | D6/349 |
| D683,975 | S | * | 6/2013 | Starck | | D6/349 |
| D720,143 | S | * | 12/2014 | Barber | | D6/349 |
| D721,526 | S | * | 1/2015 | Bosman | | D6/692.3 |

* cited by examiner

Primary Examiner — Vy Koenig

(74) *Attorney, Agent, or Firm* — Wolf, Greenfield & Sacks, P.C.

(57) **CLAIM**

The ornamental design for a stool, as shown and described.

DESCRIPTION

FIG. 1 is a top, front, perspective view of a stool showing a first embodiment of our new design;
FIG. 2 is a left side elevation view thereof;
FIG. 3 is a right side elevation view thereof;
FIG. 4 is a front elevation view thereof;
FIG. 5 is a rear elevation view thereof;
FIG. 6 is a top plan view thereof;
FIG. 7 is a bottom plan view thereof;
FIG. 8 is a top, front, perspective view showing a second embodiment thereof;
FIG. 9 is a left side elevation view of FIG. 8;

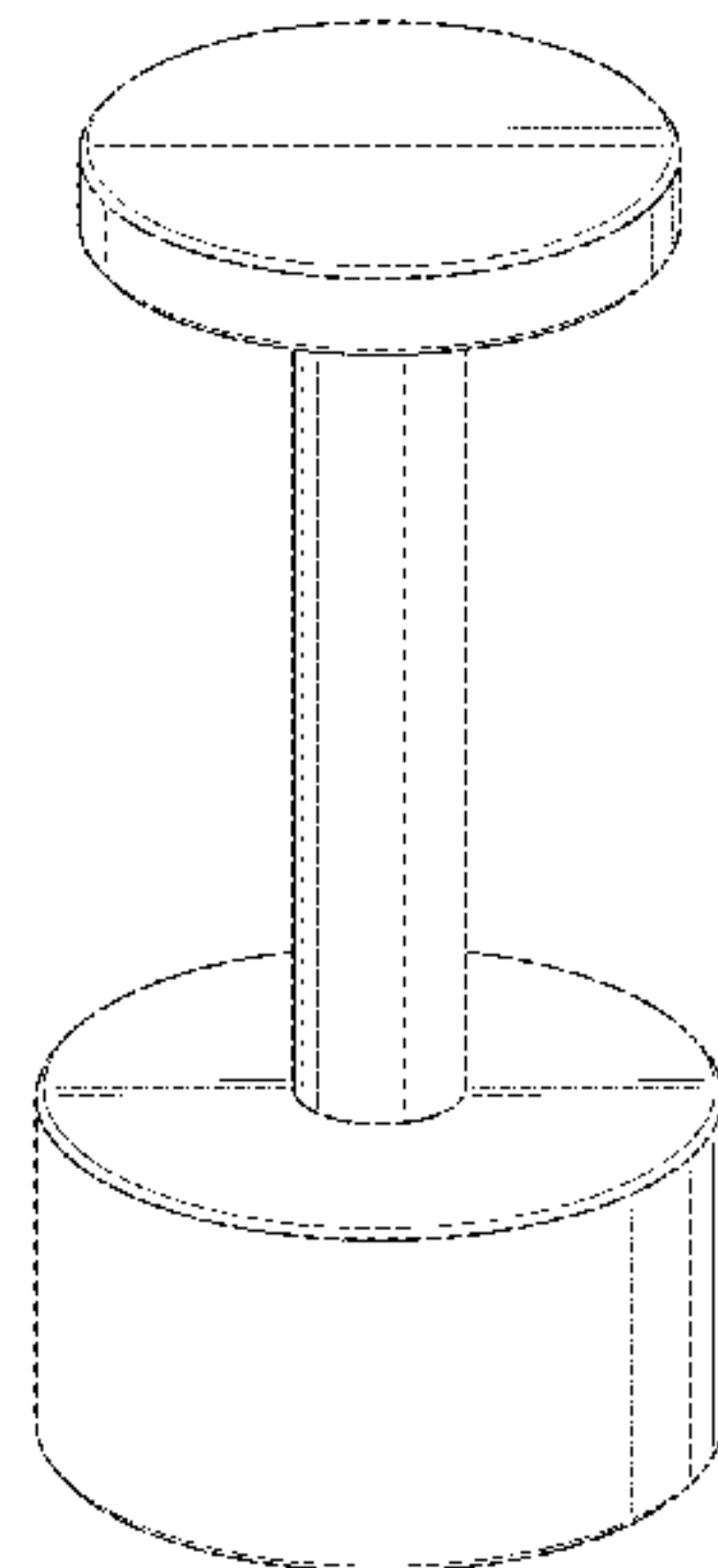


FIG. 10 is a right side elevation view of FIG. 8;
FIG. 11 is a front elevation view of FIG. 8;
FIG. 12 is a rear elevation view of FIG. 8;
FIG. 13 is a top plan view of FIG. 8;
FIG. 14 is a bottom plan view of FIG. 8;
FIG. 15 is a top, front, perspective view showing a third embodiment thereof;
FIG. 16 is a left side elevation view of FIG. 15;
FIG. 17 is a right side elevation view of FIG. 15;
FIG. 18 is a front elevation view of FIG. 15;
FIG. 19 is a rear elevation view of FIG. 15;
FIG. 20 is a top plan view of FIG. 15;
FIG. 21 is a bottom plan view of FIG. 15;
FIG. 22 is a top, front, perspective view showing a fourth embodiment thereof;
FIG. 23 is a left side elevation view of FIG. 22;
FIG. 24 is a right side elevation view of FIG. 22;
FIG. 25 is a front elevation view of FIG. 22;
FIG. 26 is a rear elevation view of FIG. 22;
FIG. 27 is a top plan view of FIG. 22;
FIG. 28 is a bottom plan view of FIG. 22;

FIG. 29 is a top, front, perspective view showing a fifth embodiment thereof;
FIG. 30 is a left side elevation view of FIG. 29;
FIG. 31 is a right side elevation view of FIG. 29;
FIG. 32 is a front elevation view of FIG. 29;
FIG. 33 is a rear elevation view of FIG. 29;
FIG. 34 is a top plan view of FIG. 29;
FIG. 35 is a bottom plan view of FIG. 29;
FIG. 36 is a top, front, perspective view showing a sixth embodiment thereof;
FIG. 37 is a left side elevation view of FIG. 36;
FIG. 38 is a right side elevation view of FIG. 36;
FIG. 39 is a front elevation view of FIG. 36;
FIG. 40 is a rear elevation view of FIG. 36;
FIG. 41 is a top plan view of FIG. 36; and,
FIG. 42 is a bottom plan view of FIG. 36.
The dashed broken lines of the figures represent portions of the stool that form no part of the claimed design. The dash-dot broken lines define boundaries of the claimed design, and form no part of the claimed design.

1 Claim, 36 Drawing Sheets

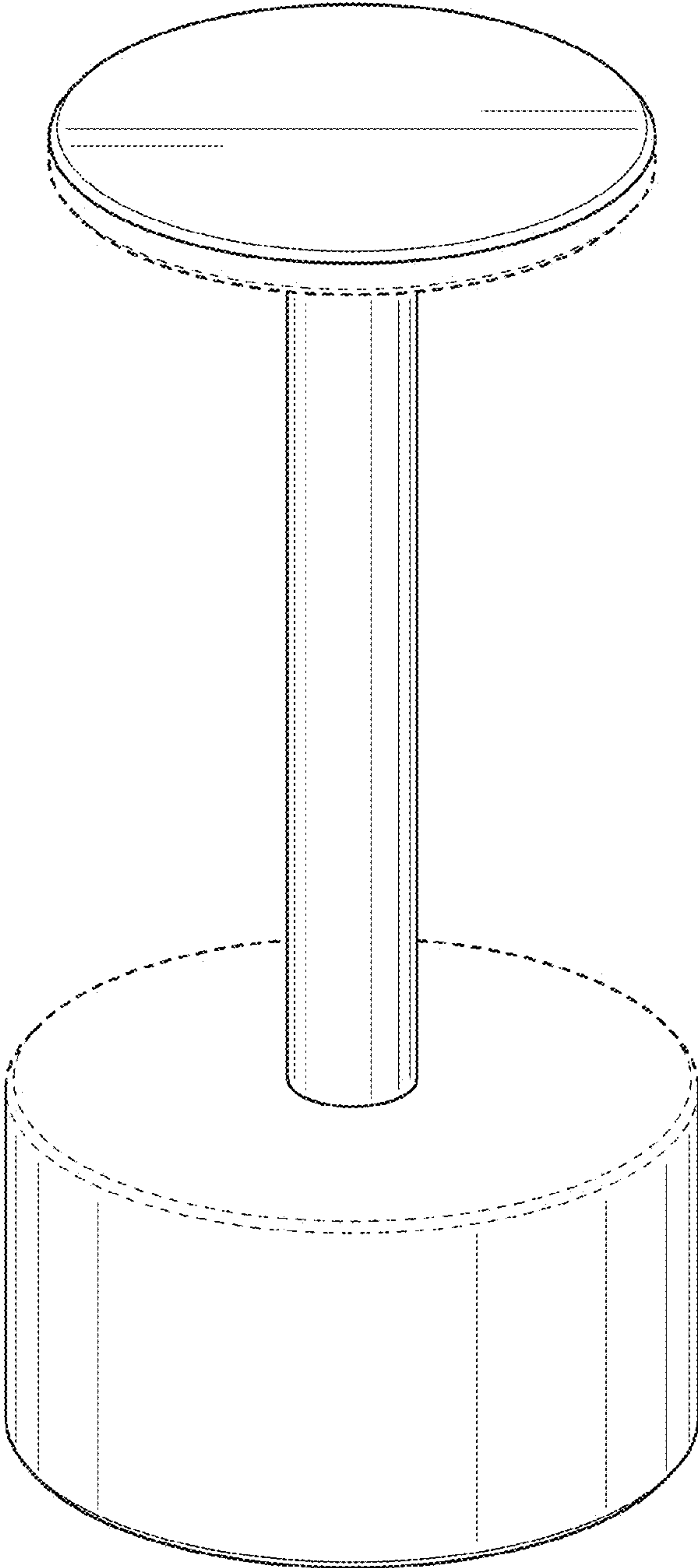


FIG. 1

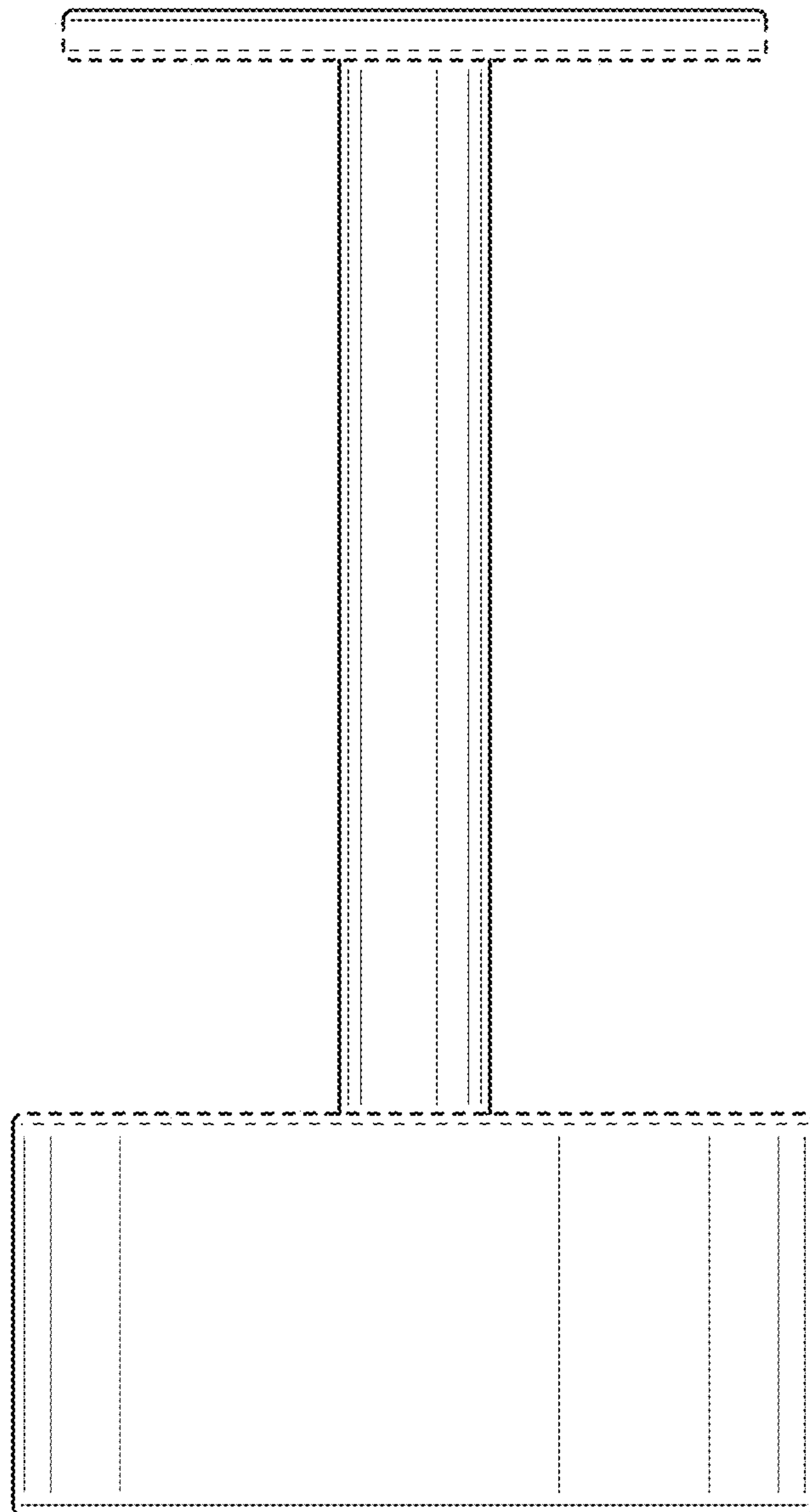


FIG. 2

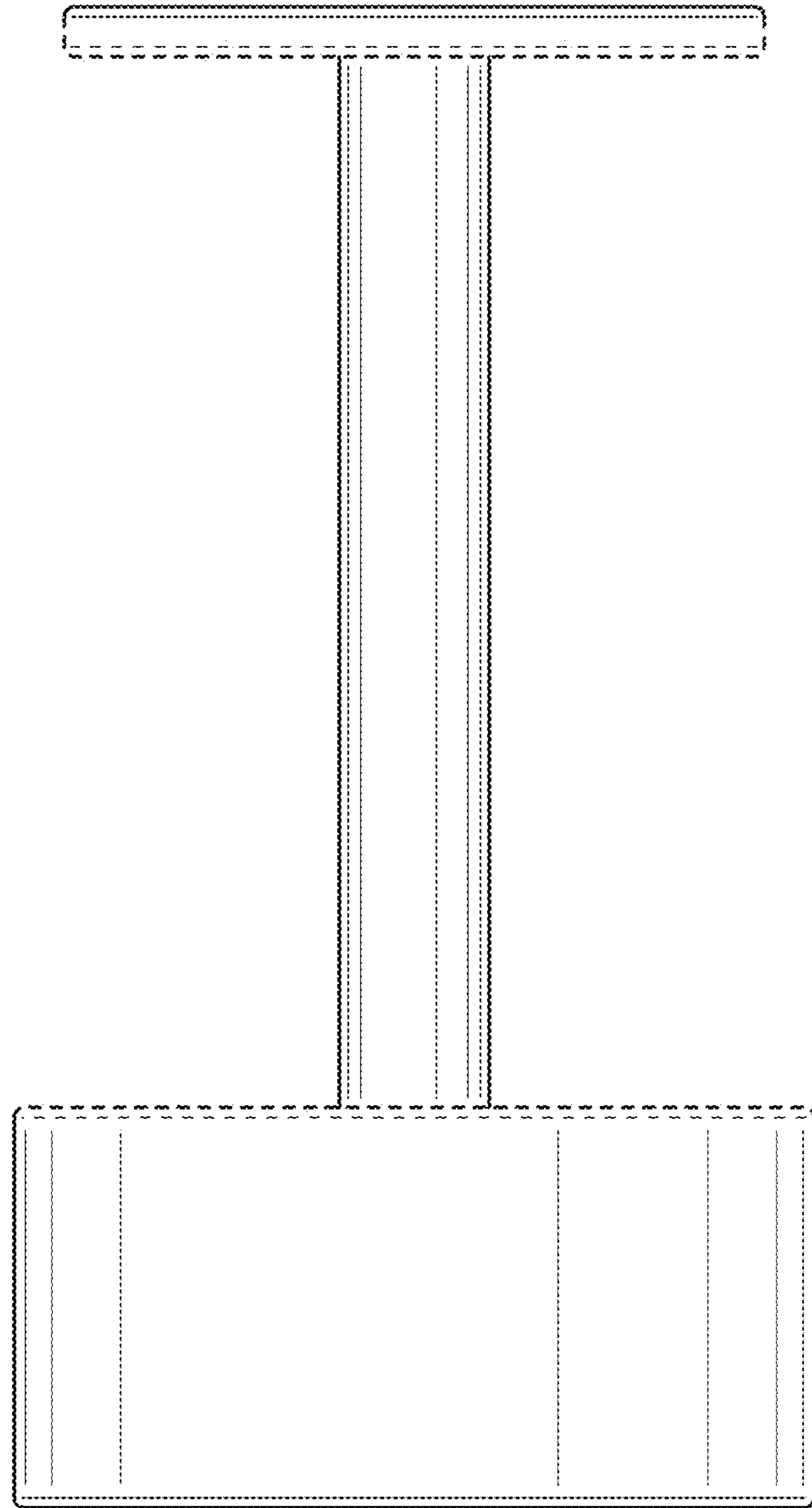


FIG. 3

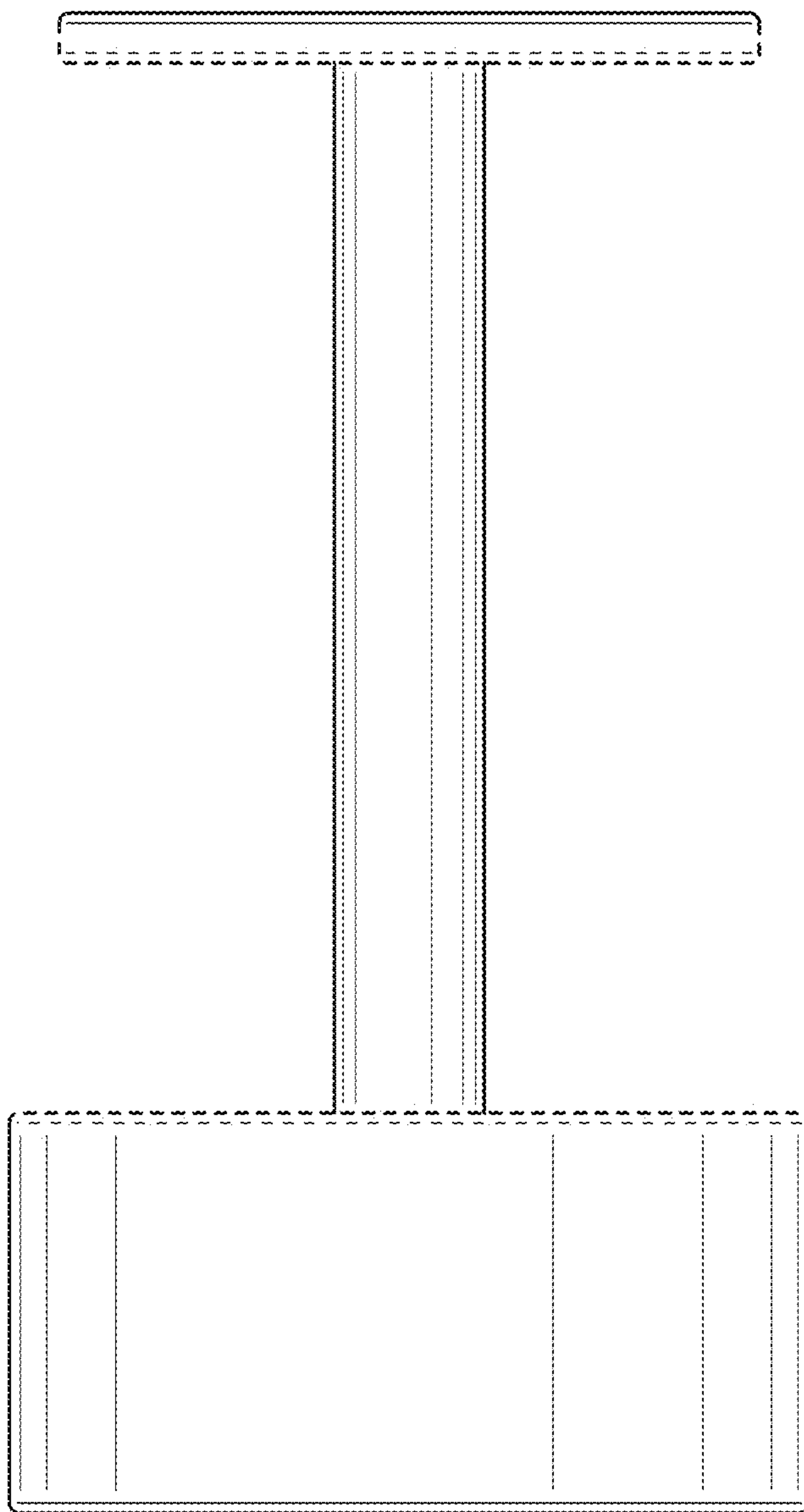


FIG. 4

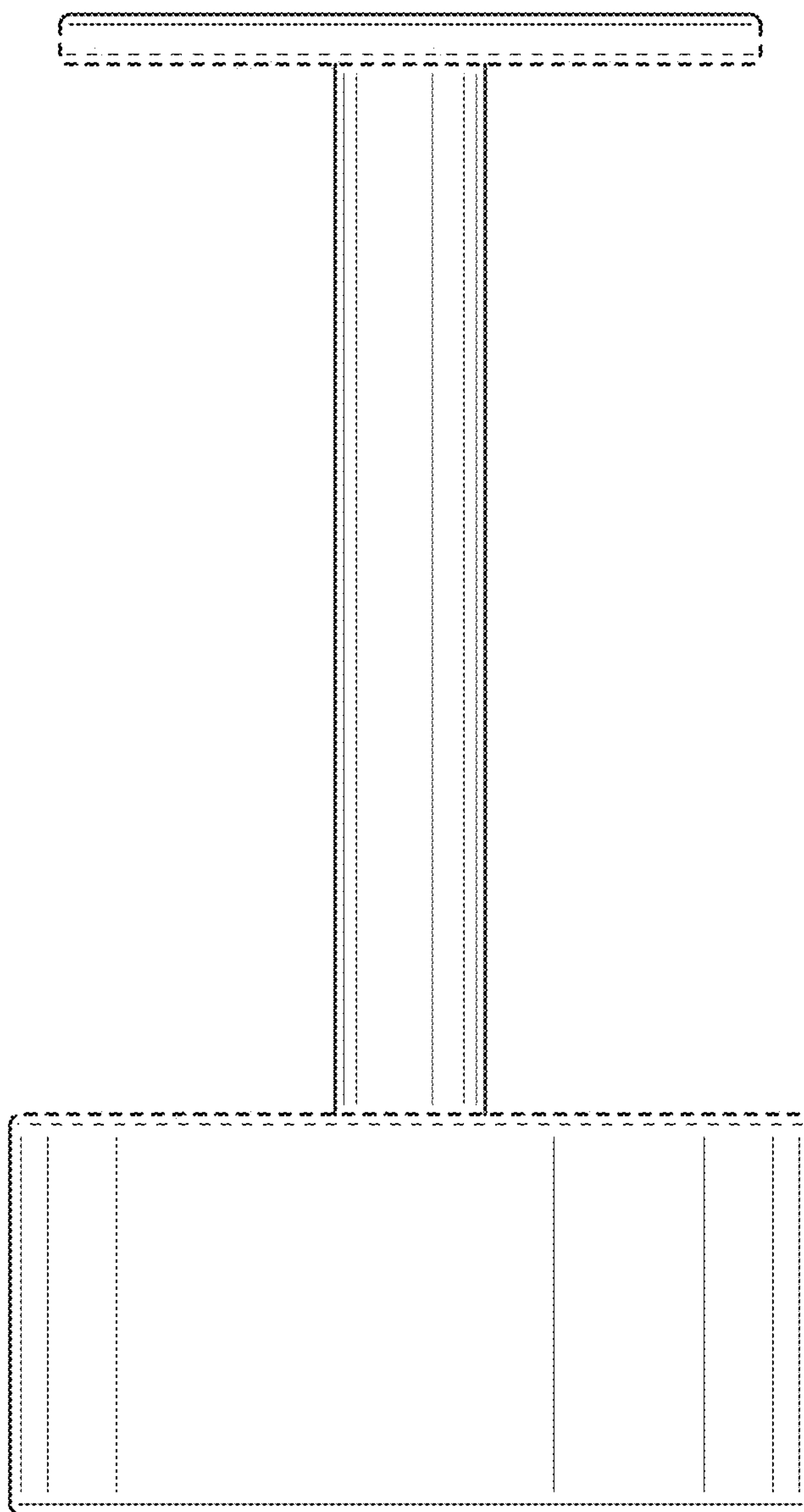


FIG. 5

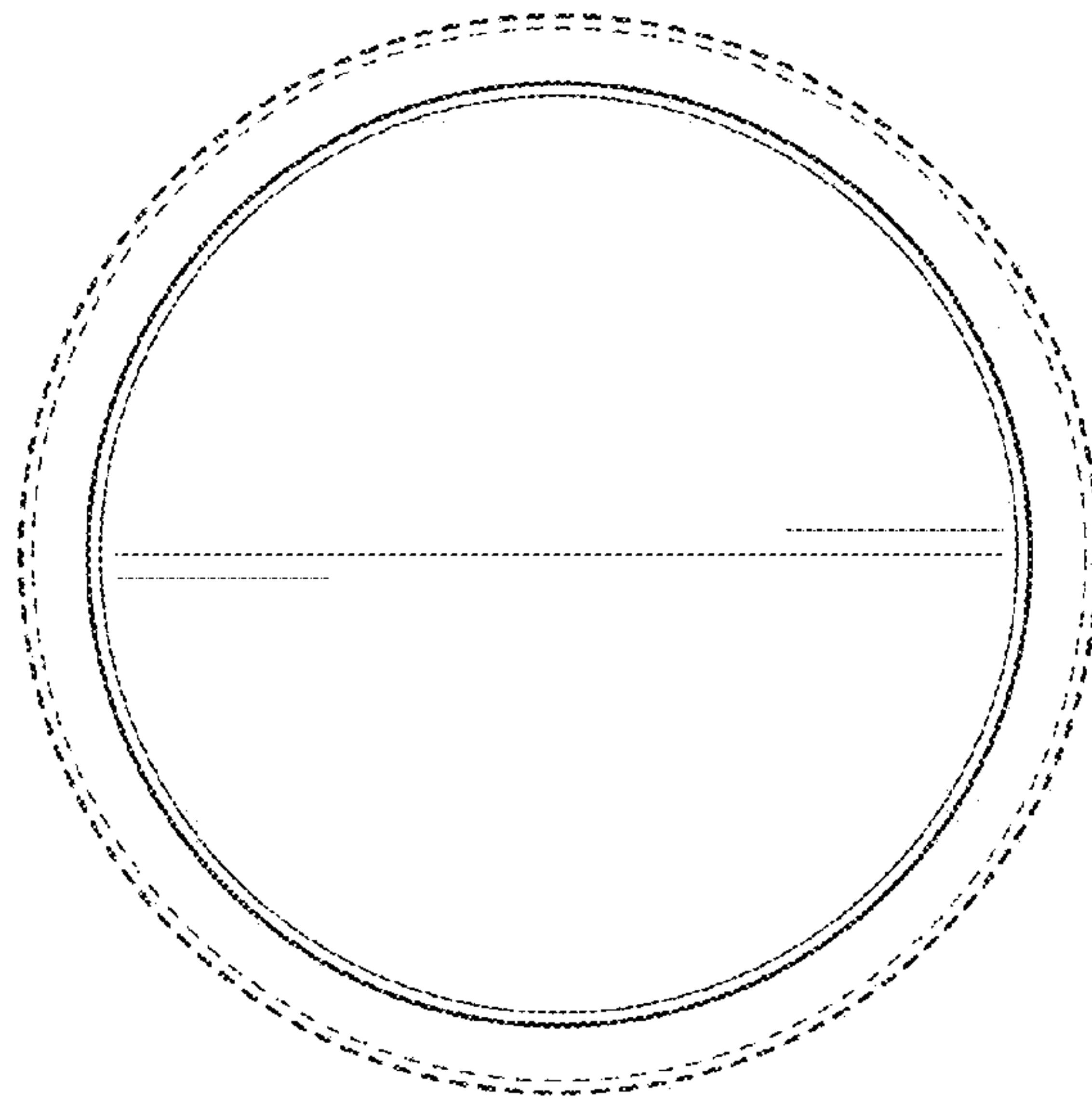


FIG. 6

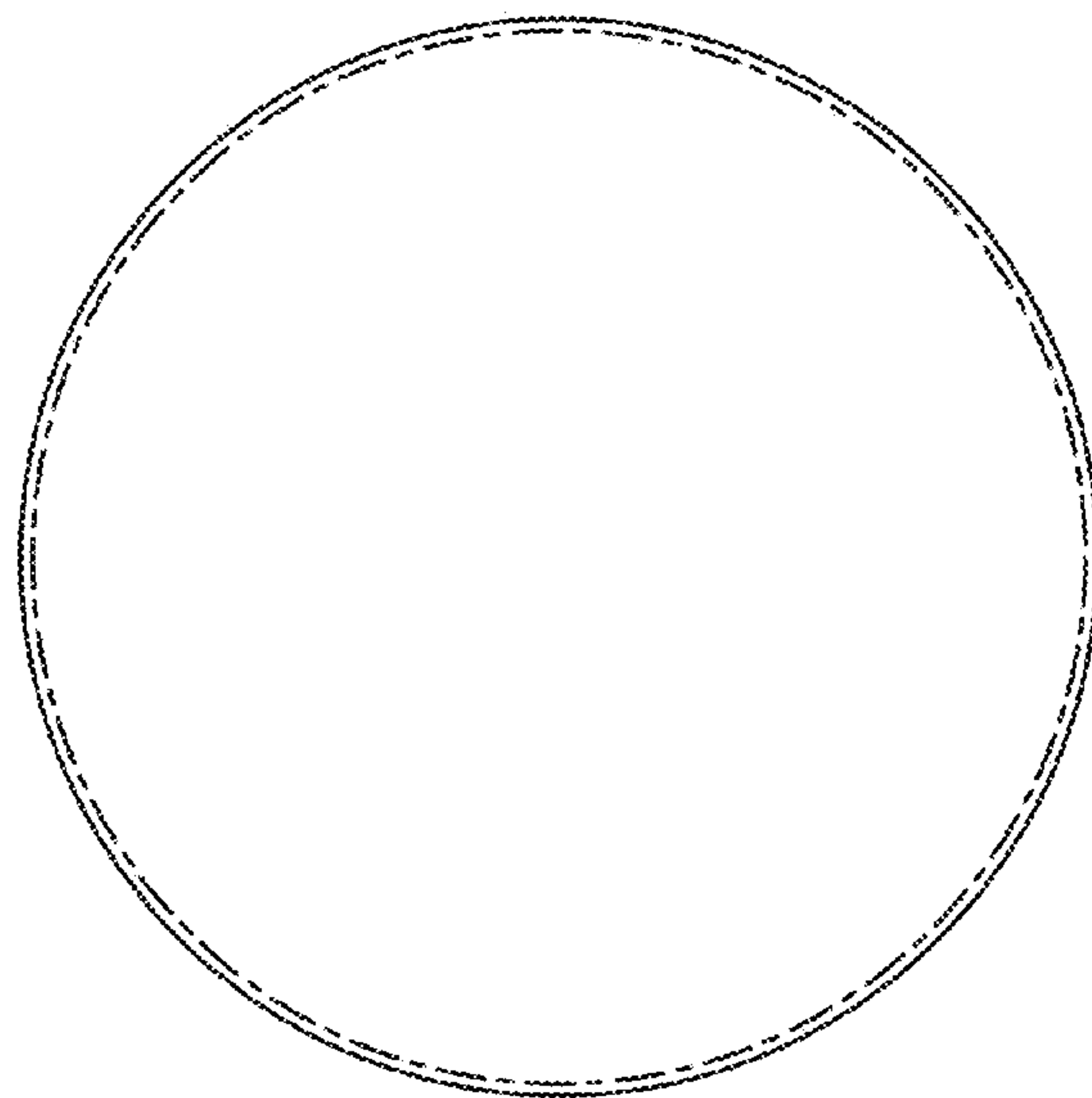


FIG. 7

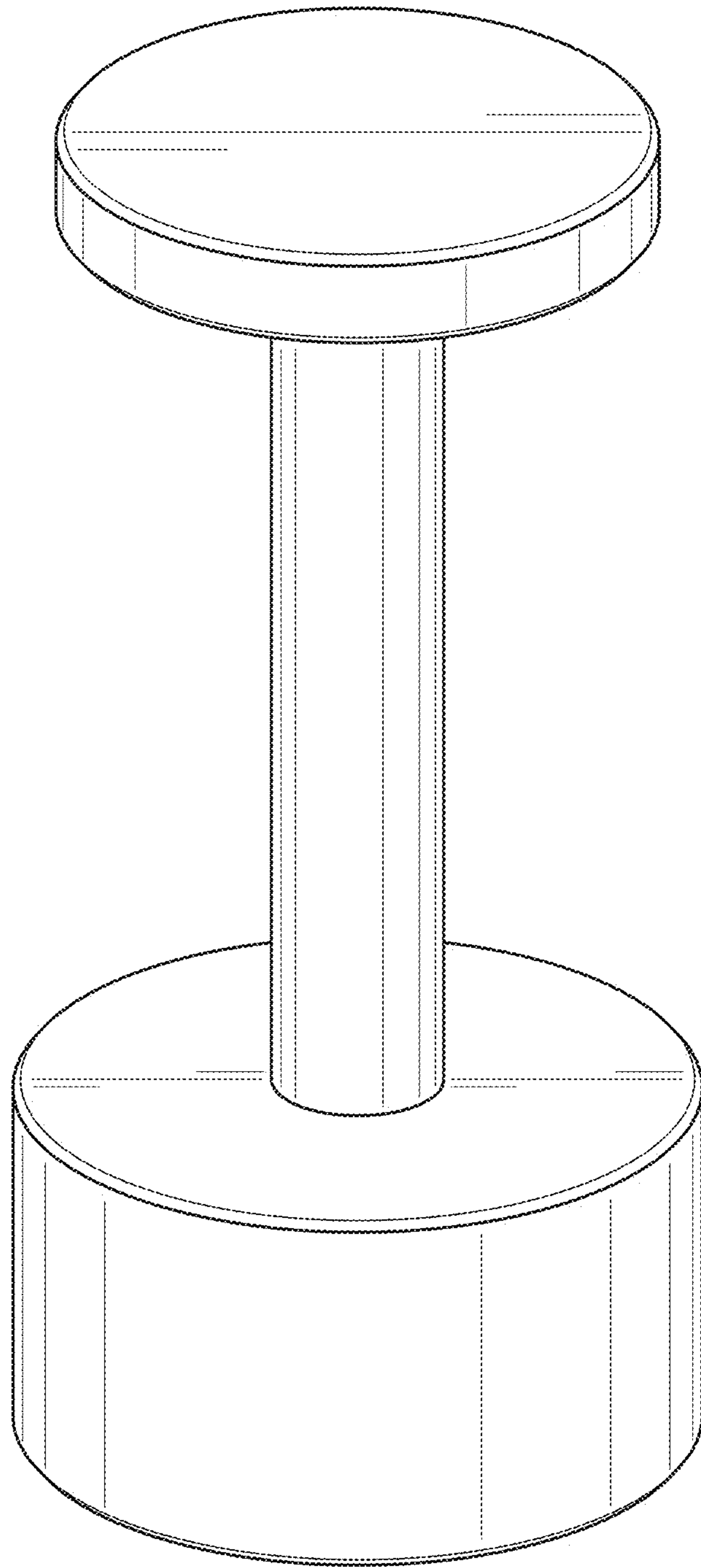


FIG. 8

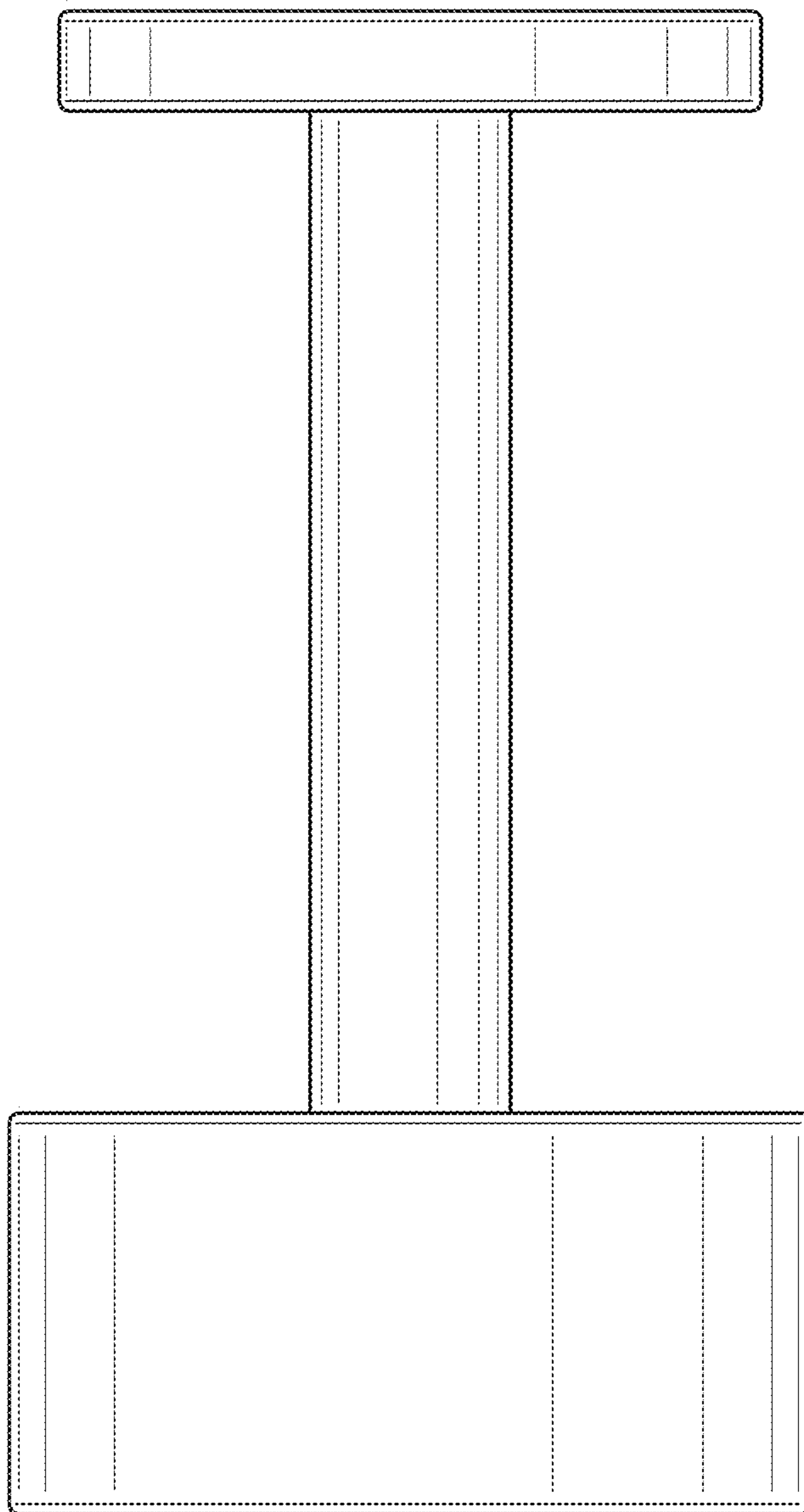


FIG. 9

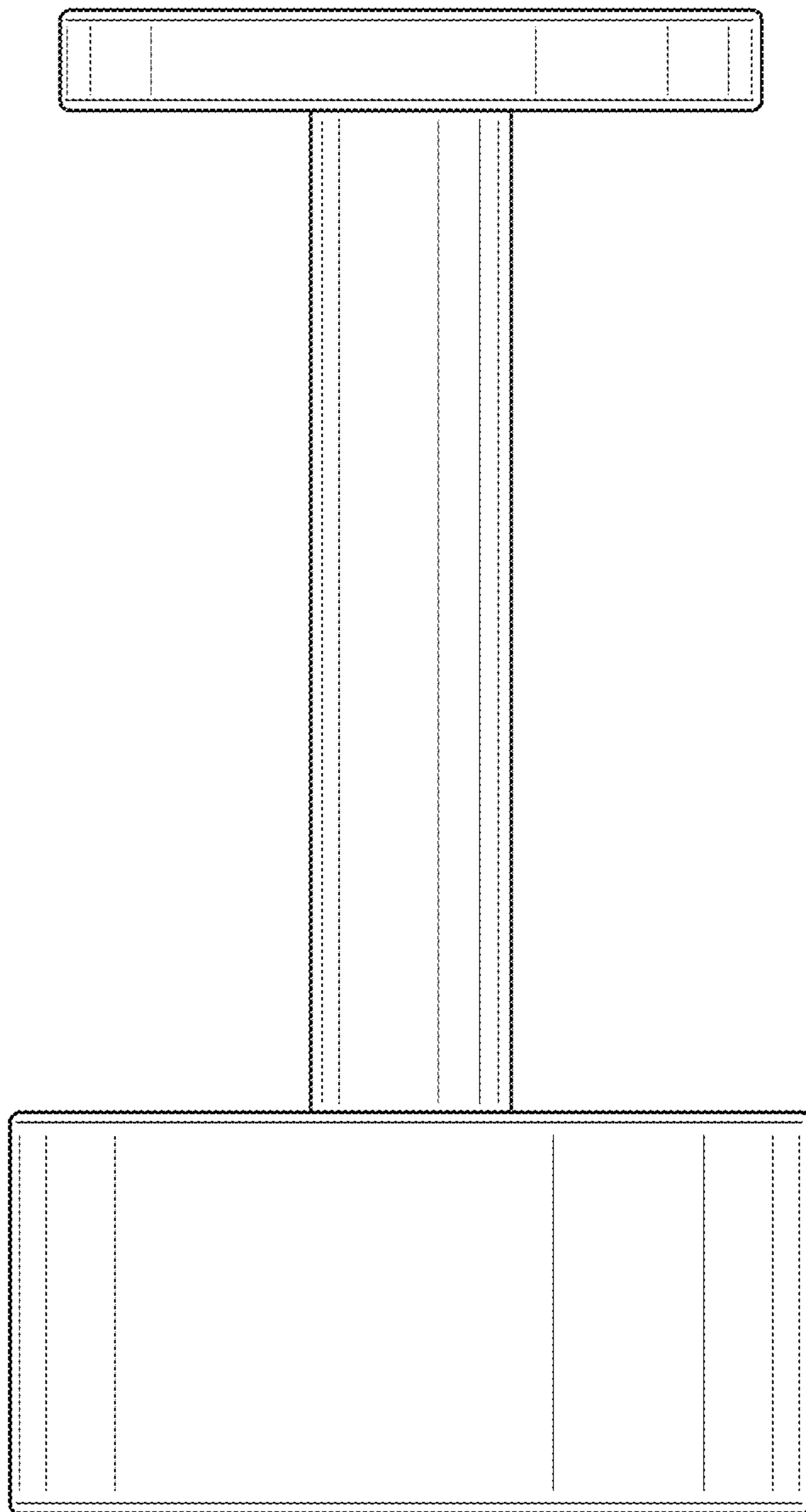


FIG. 10

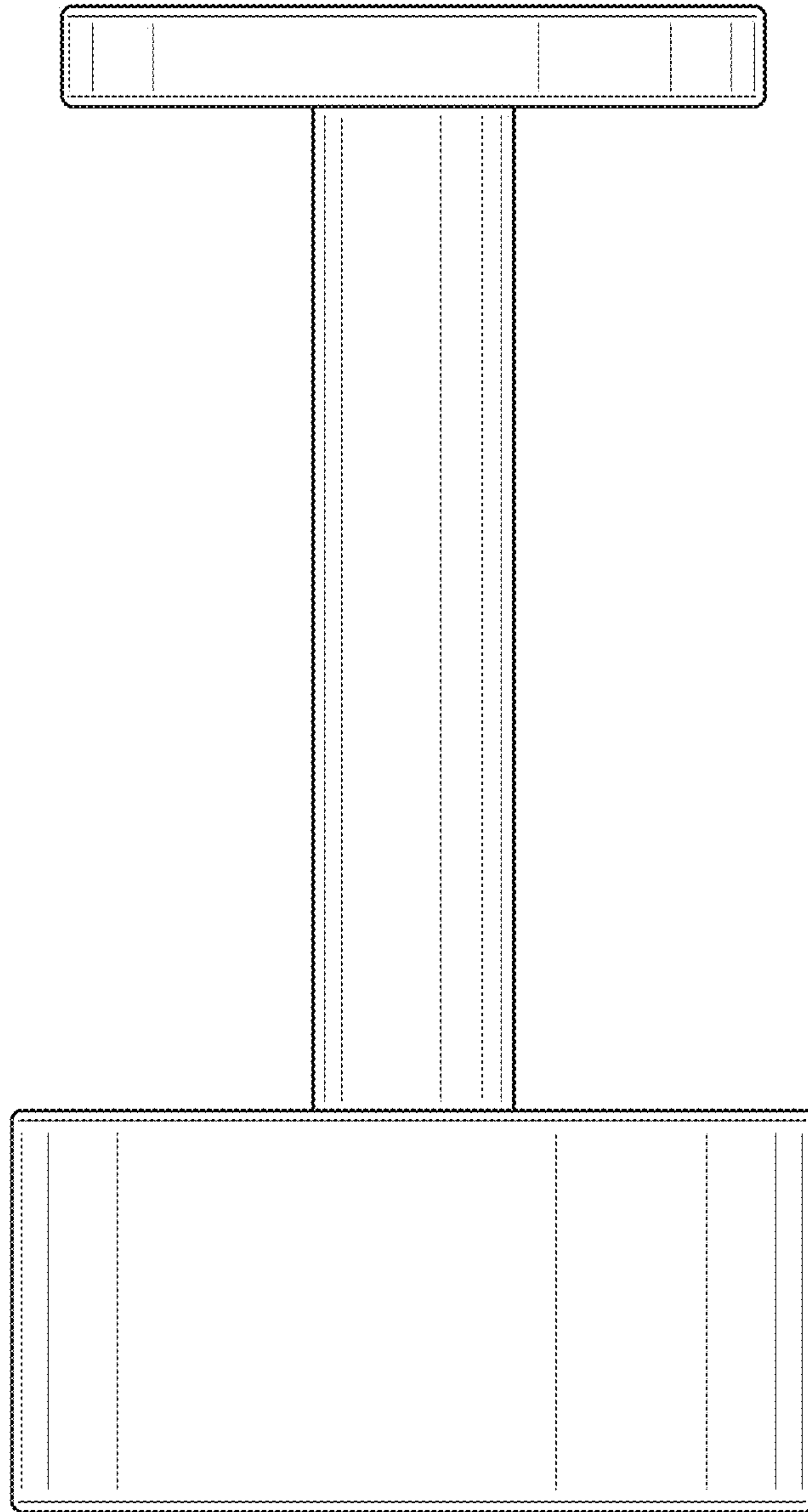


FIG. 11

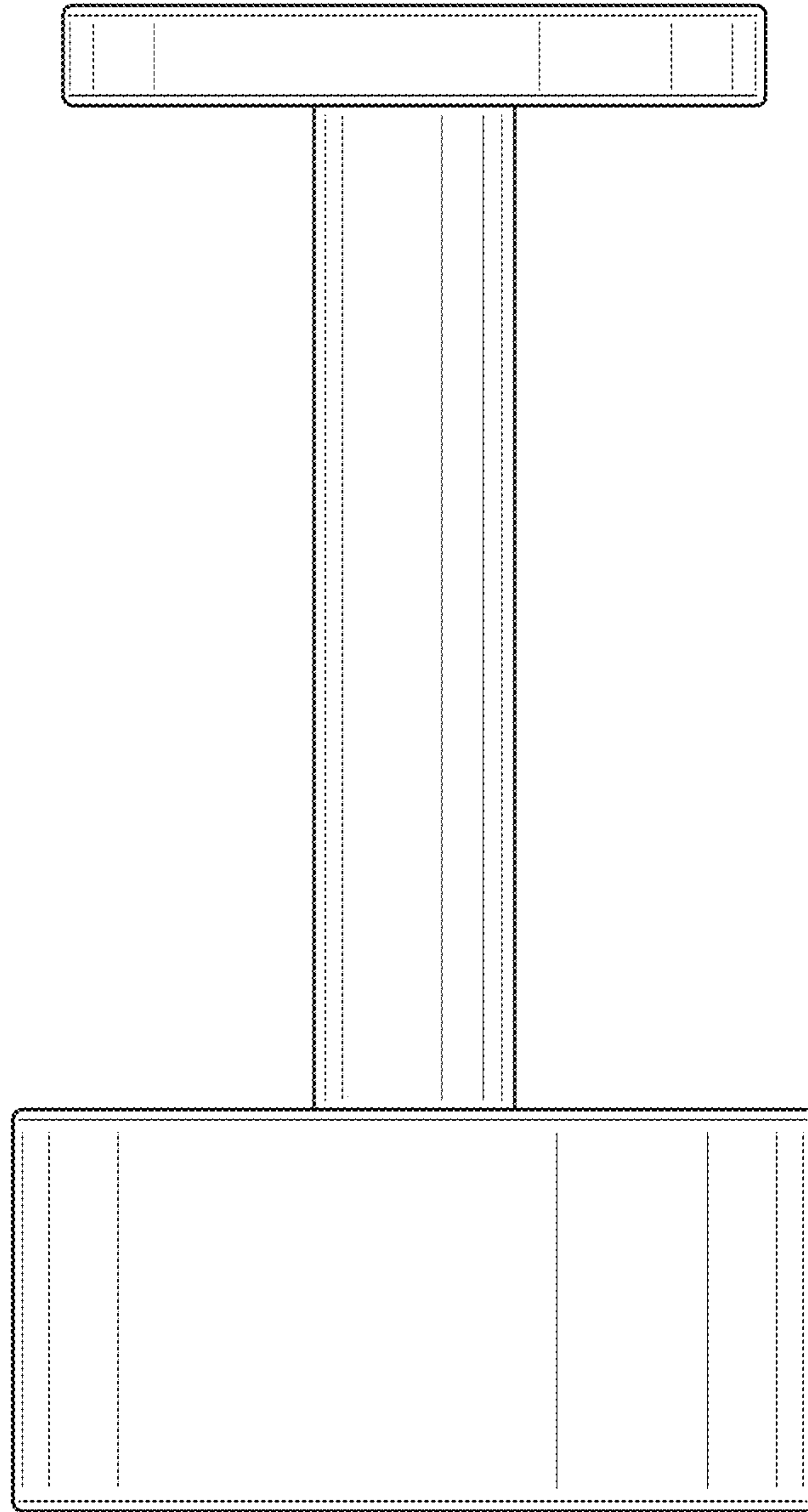


FIG. 12

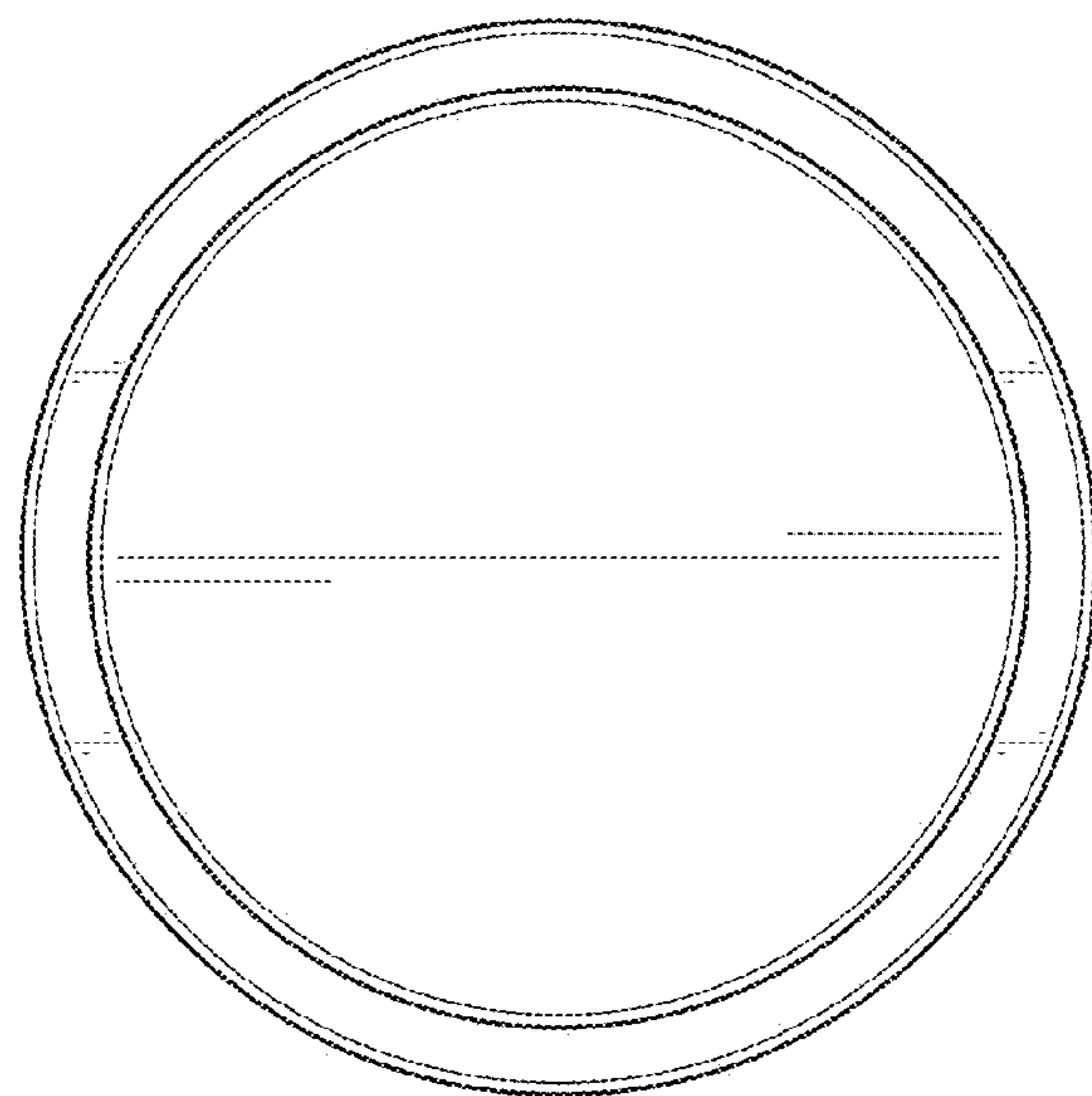


FIG. 13

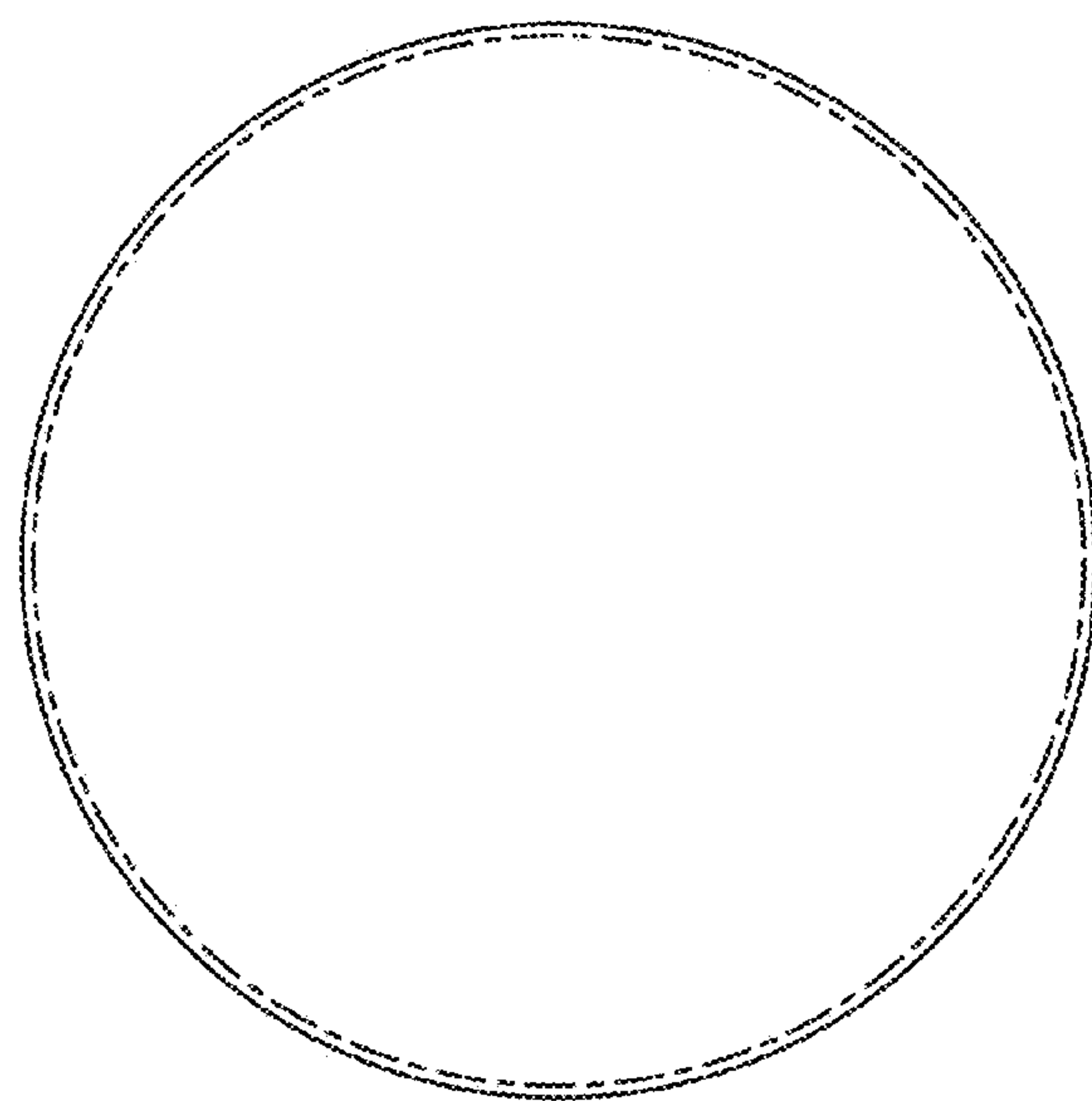


FIG. 14

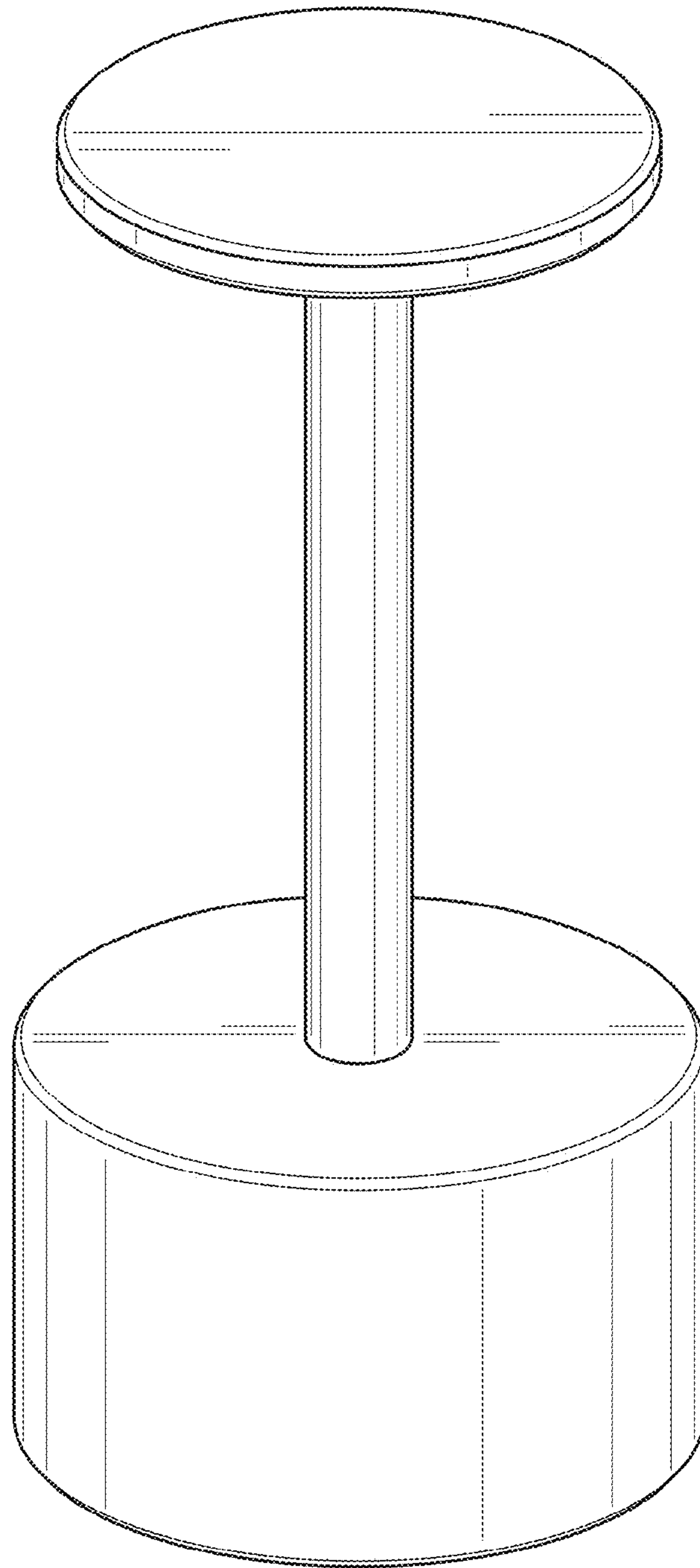


FIG. 15

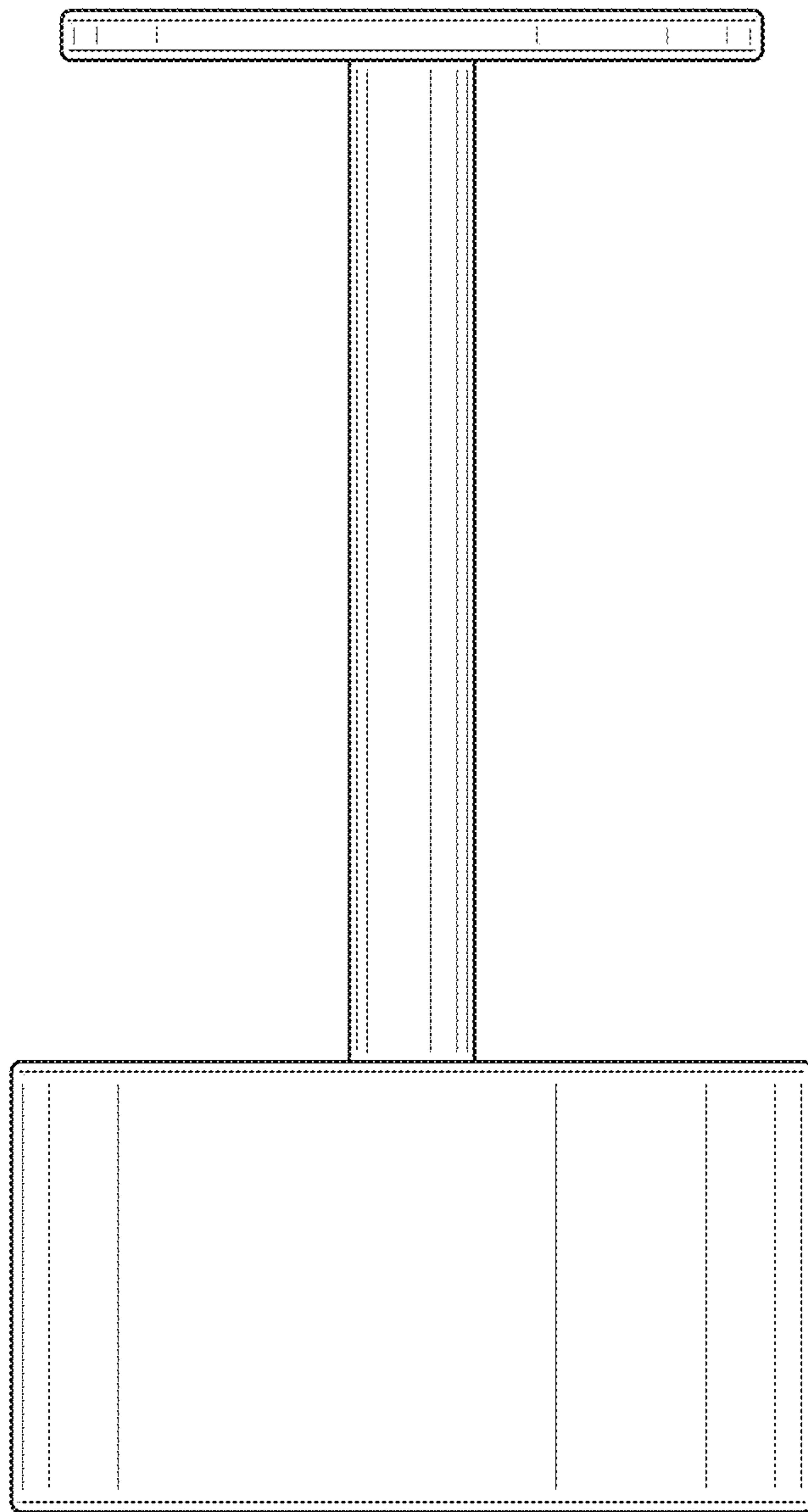


FIG. 16

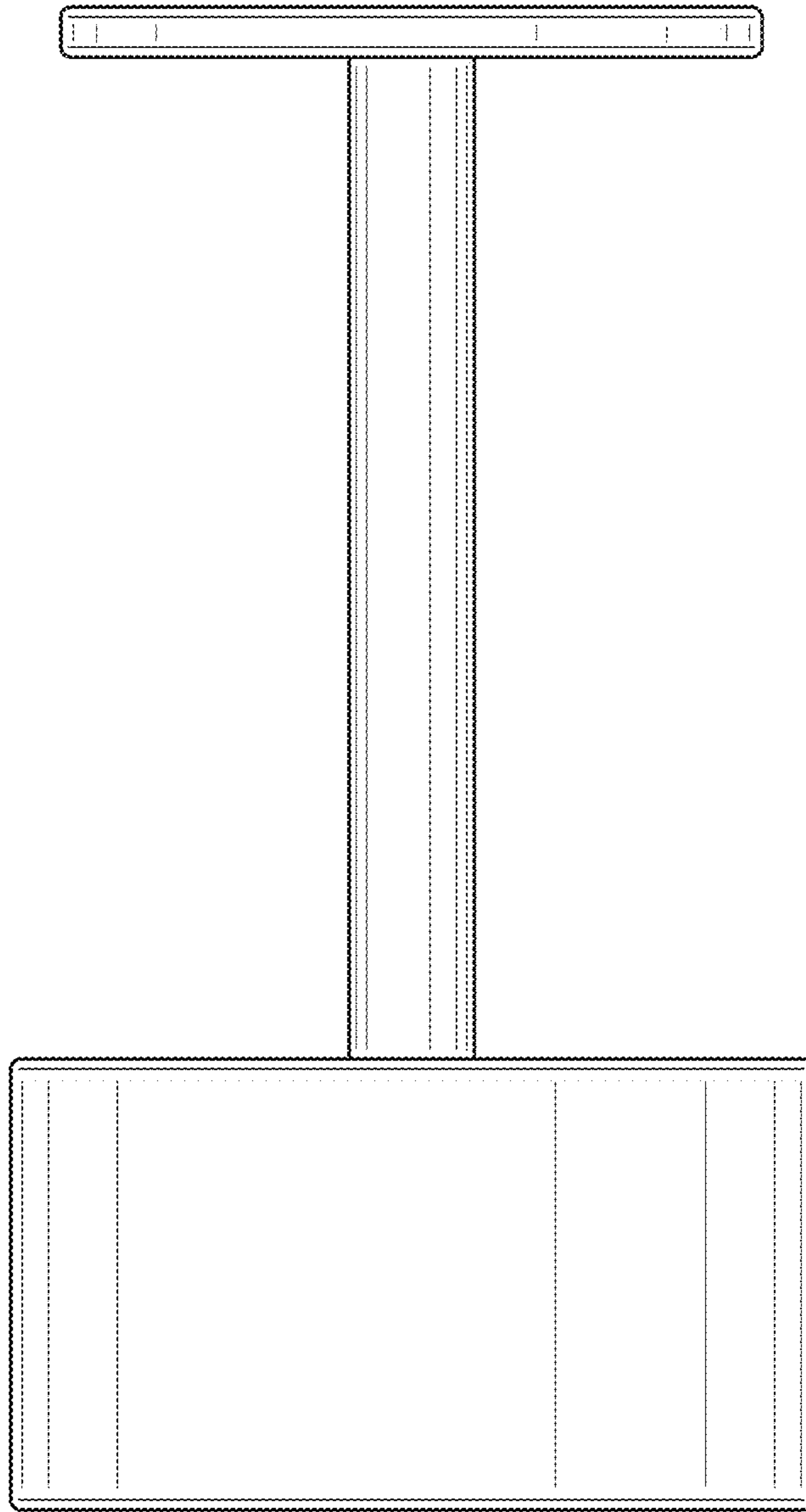


FIG. 17

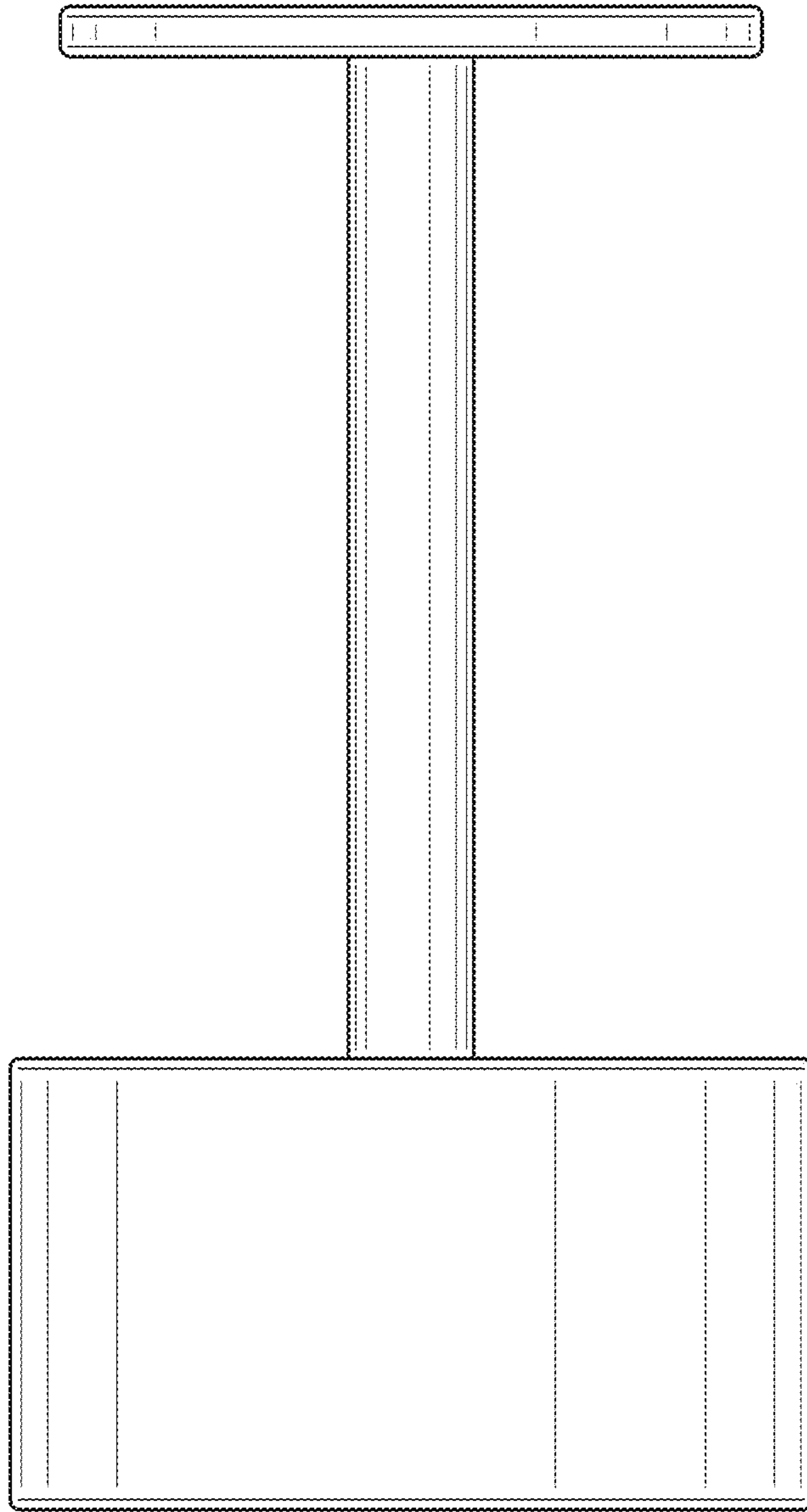


FIG. 18

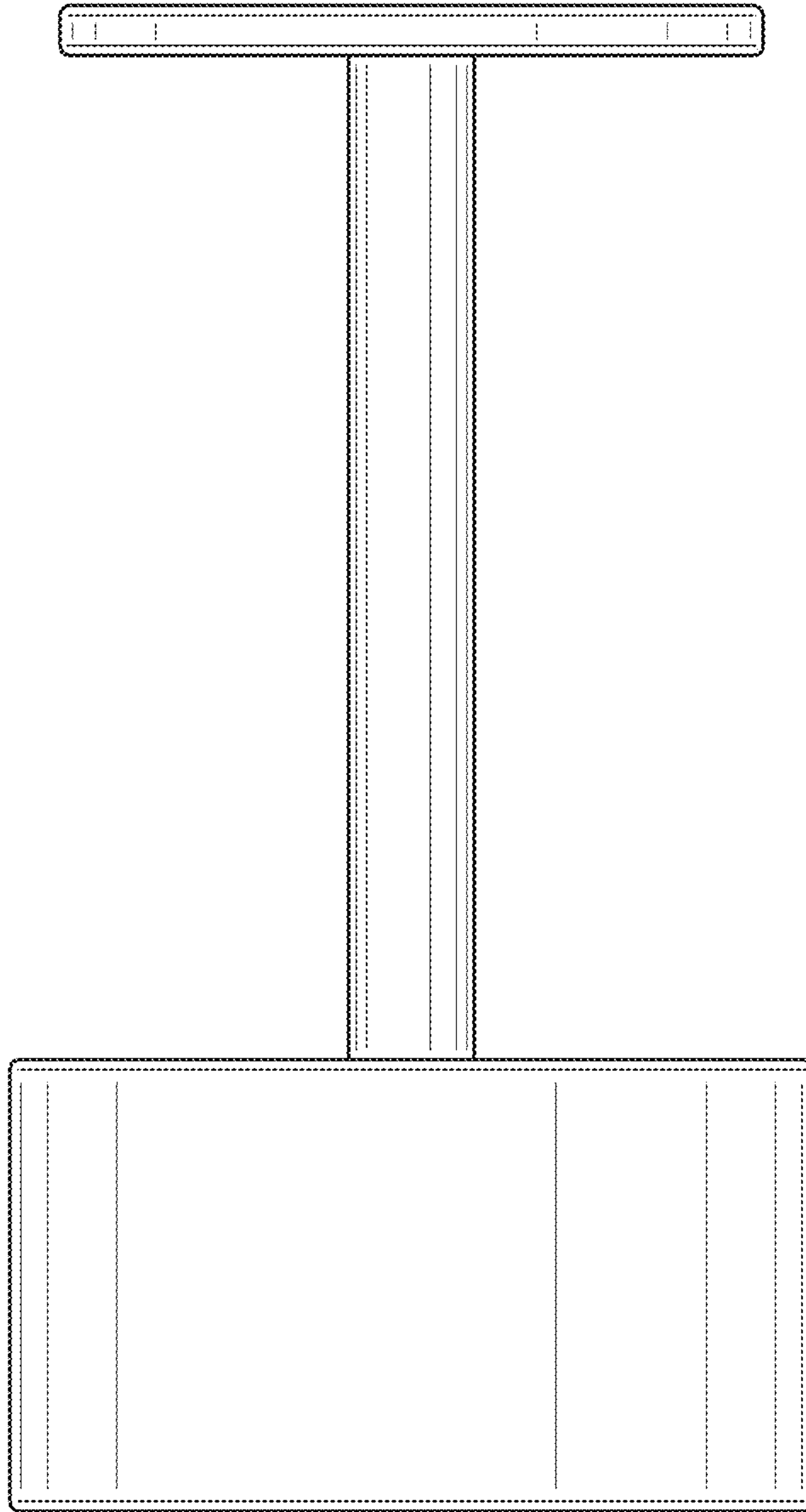


FIG. 19

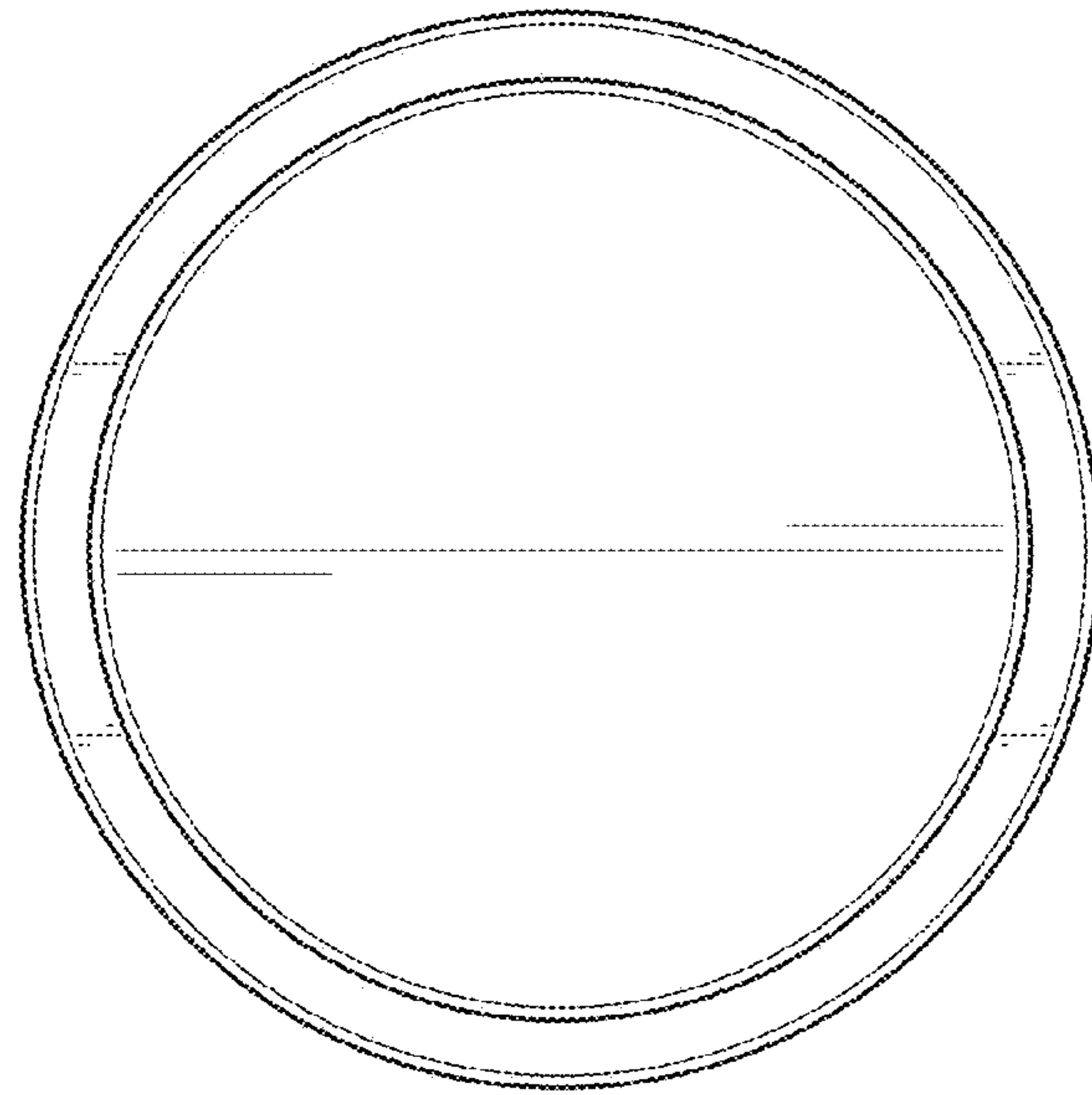


FIG. 20

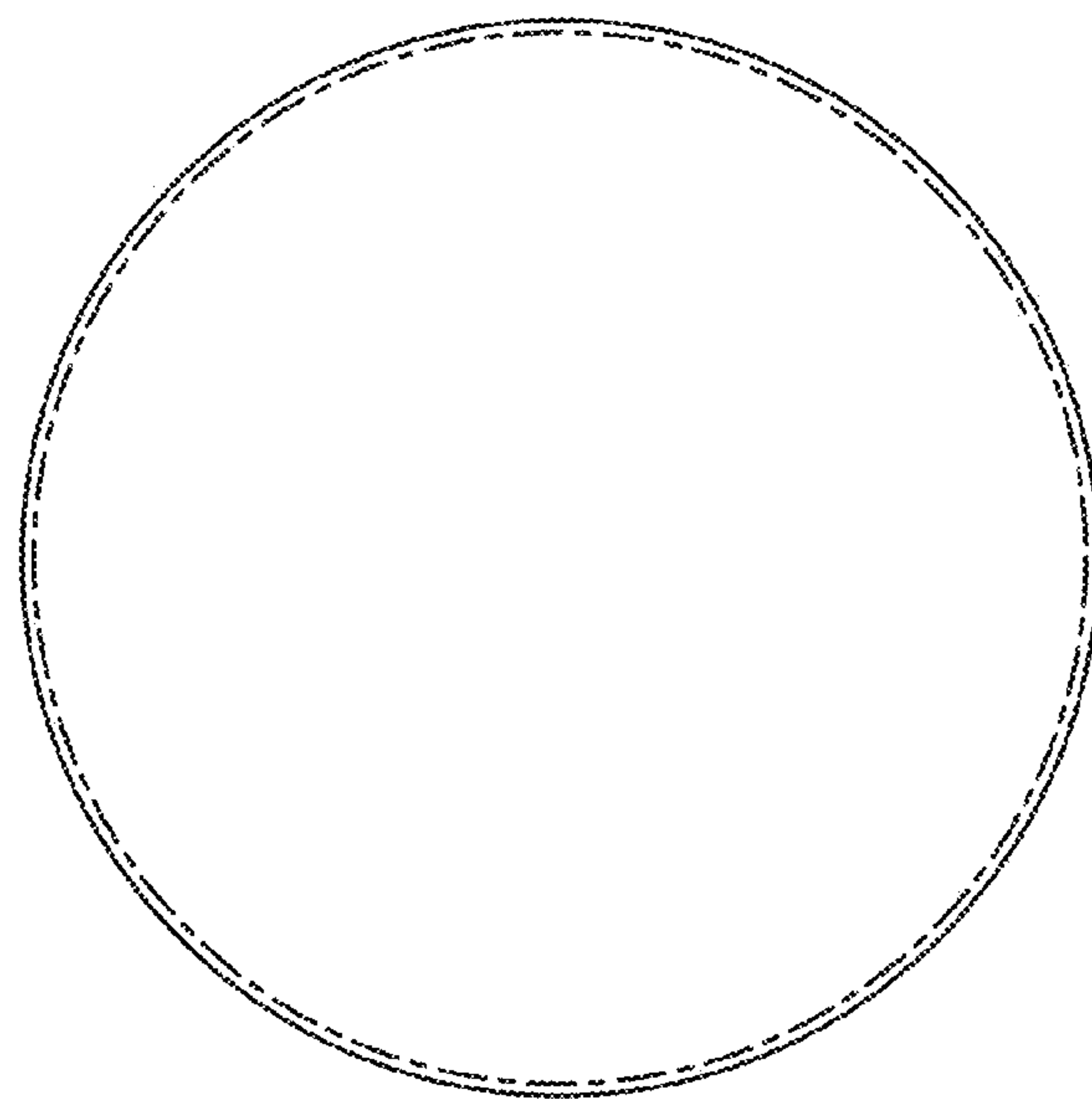


FIG. 21

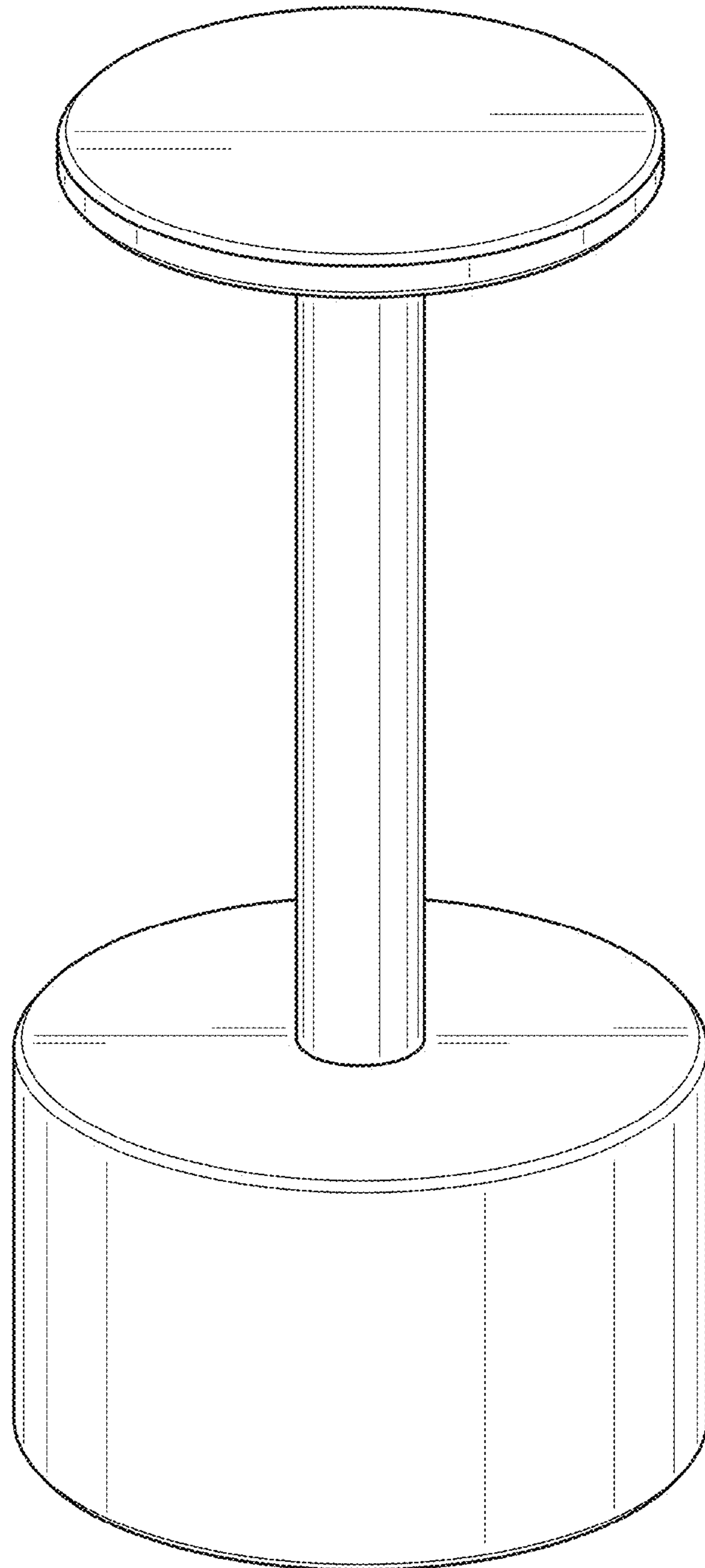


FIG. 22

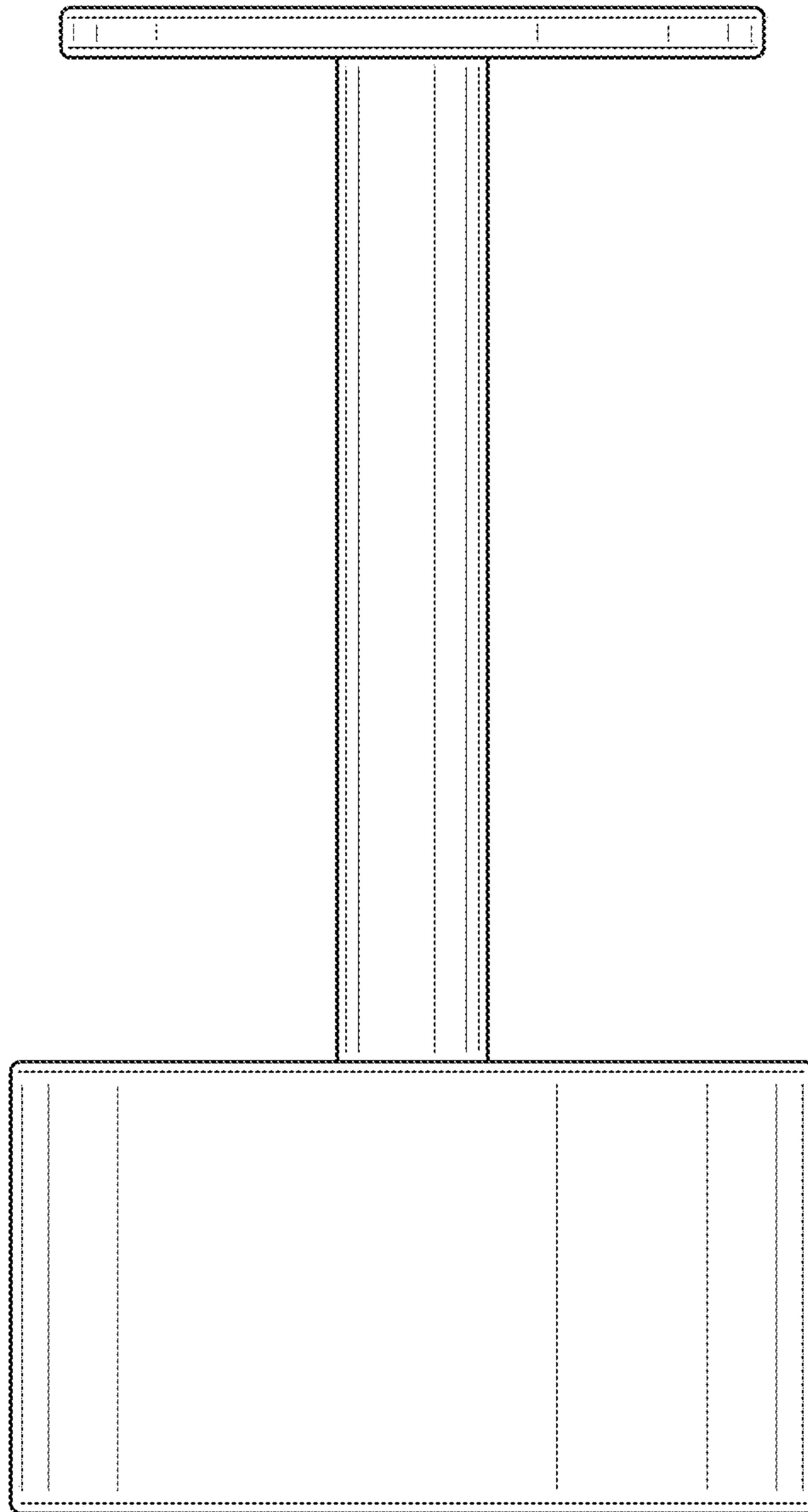


FIG. 23

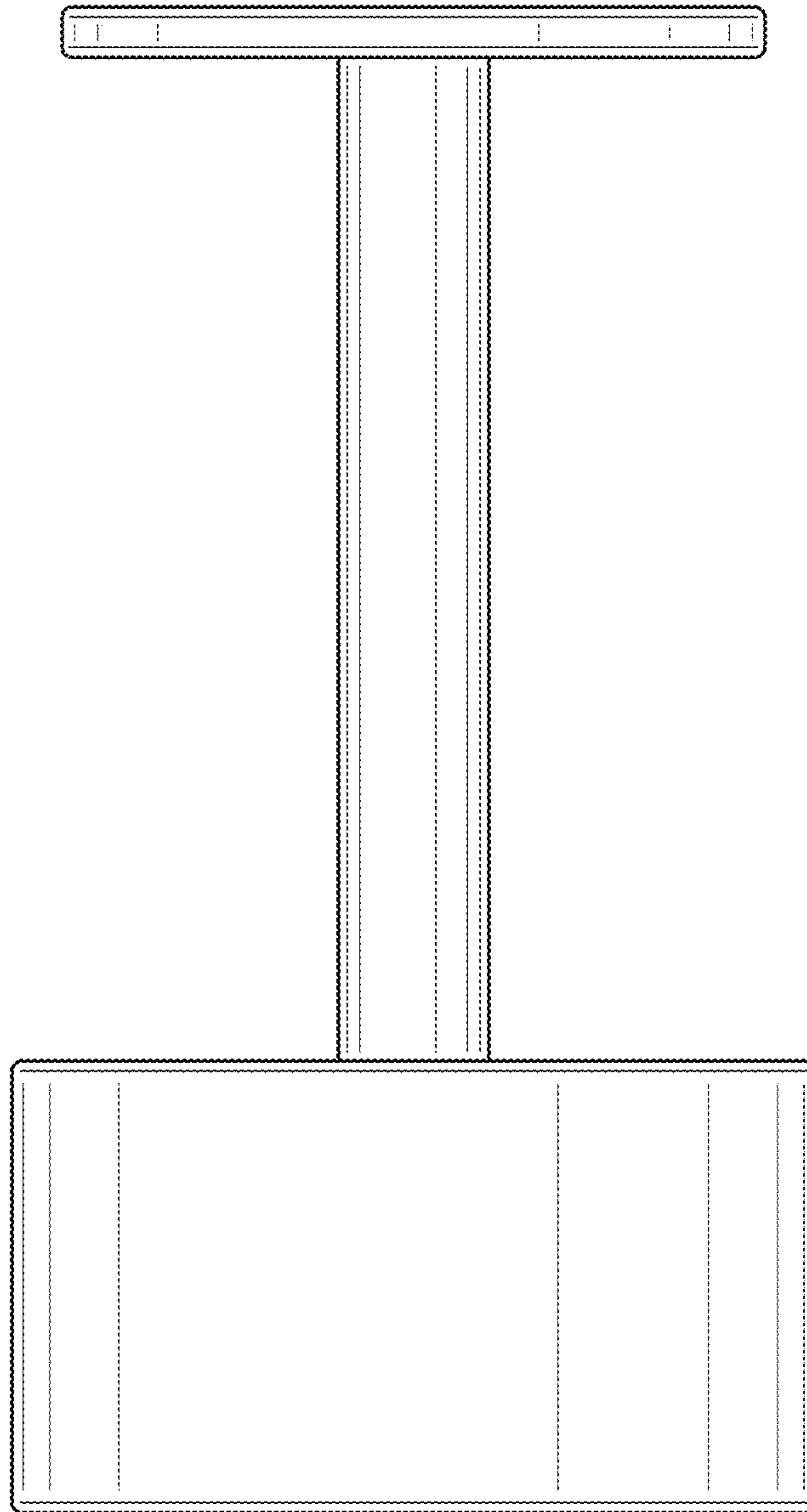


FIG. 24

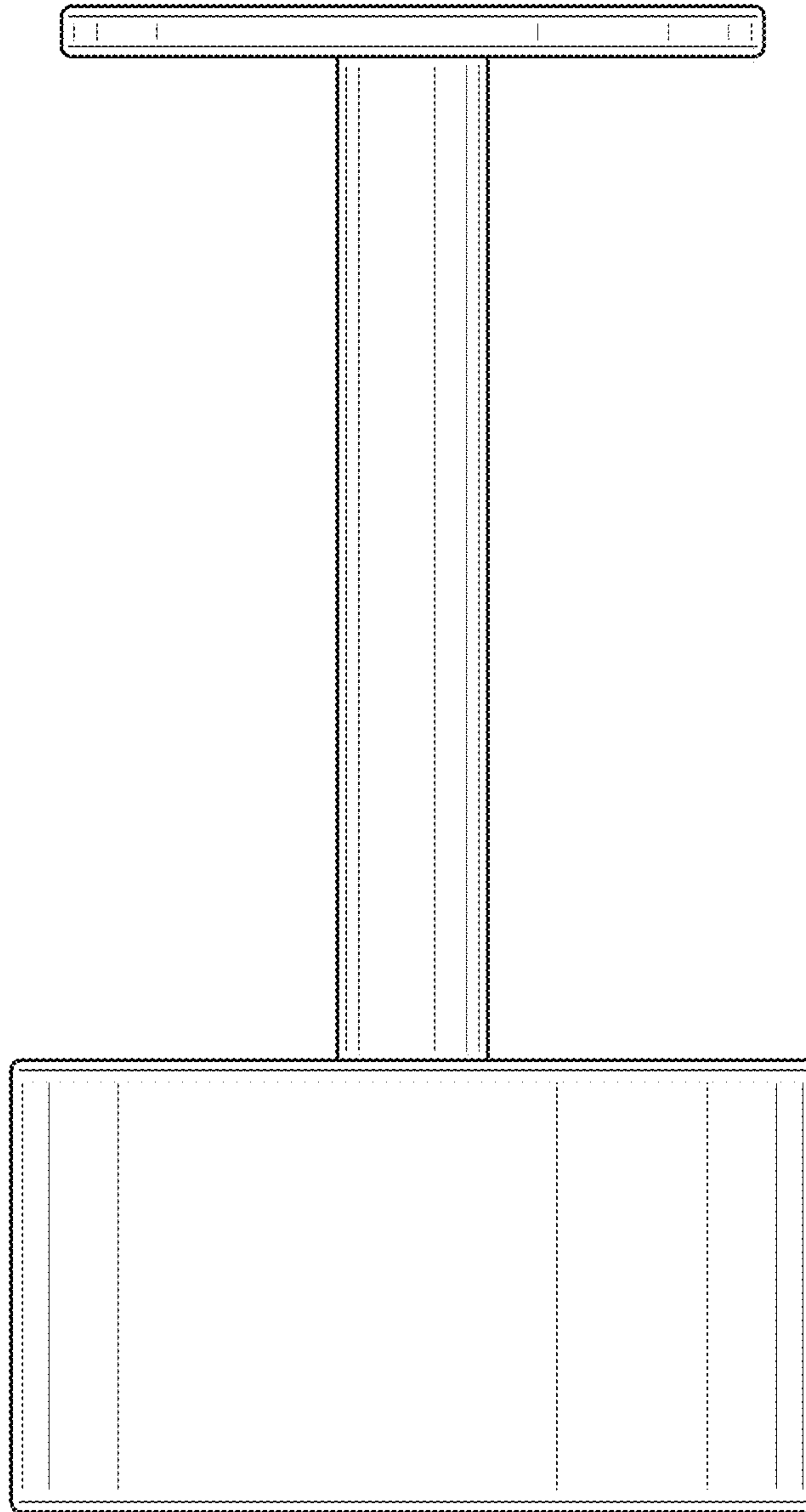


FIG. 25

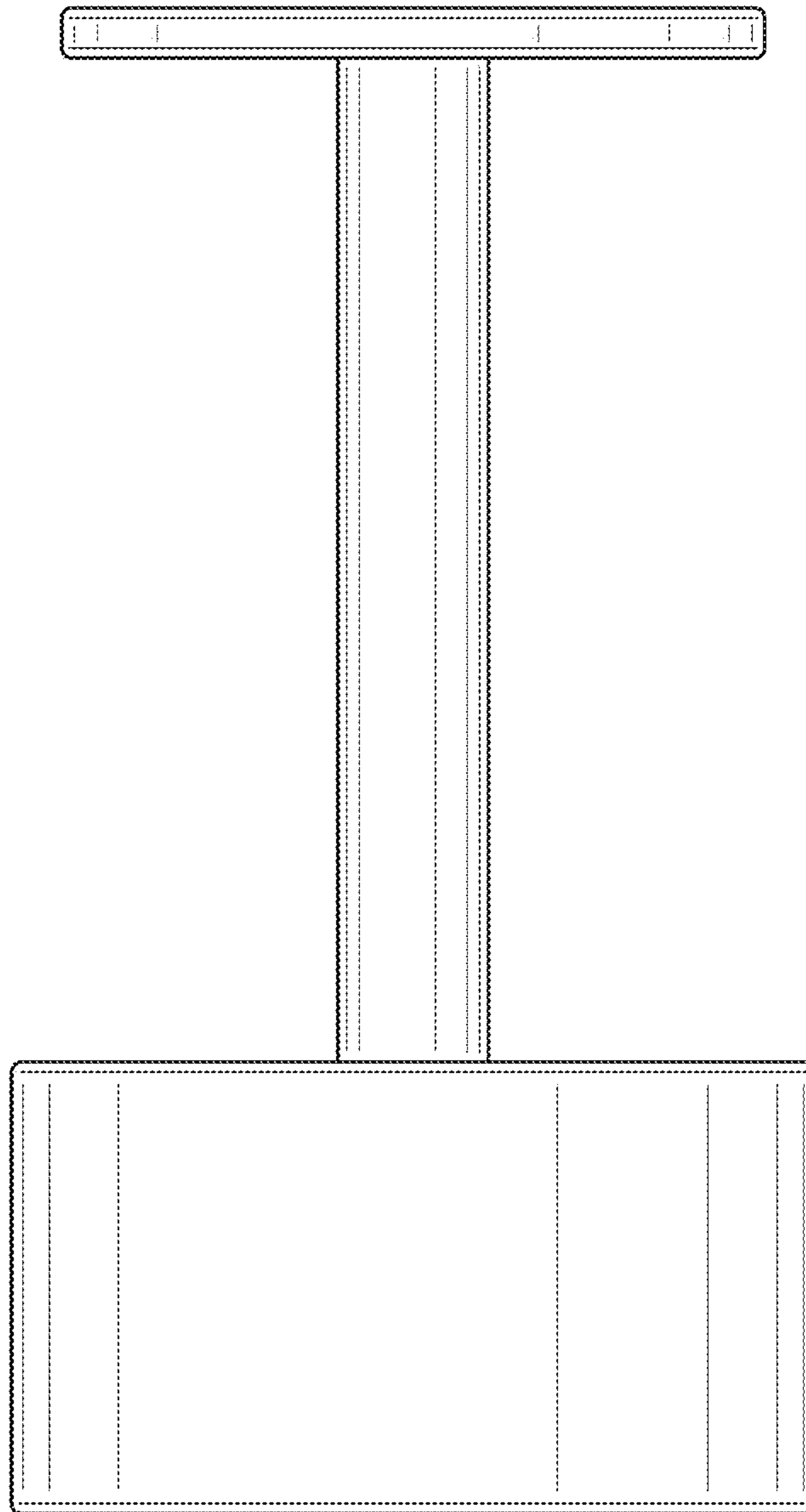


FIG. 26

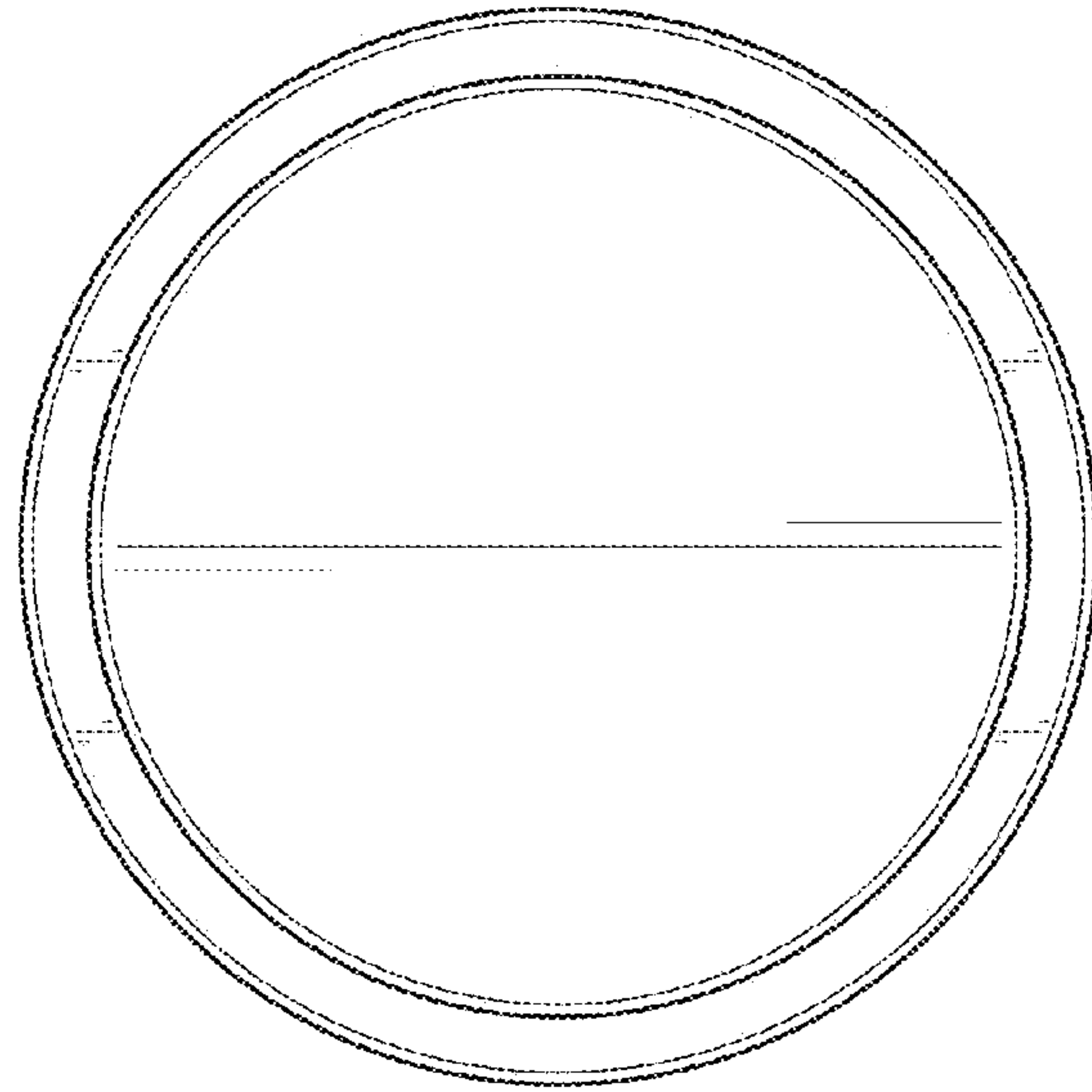


FIG. 27

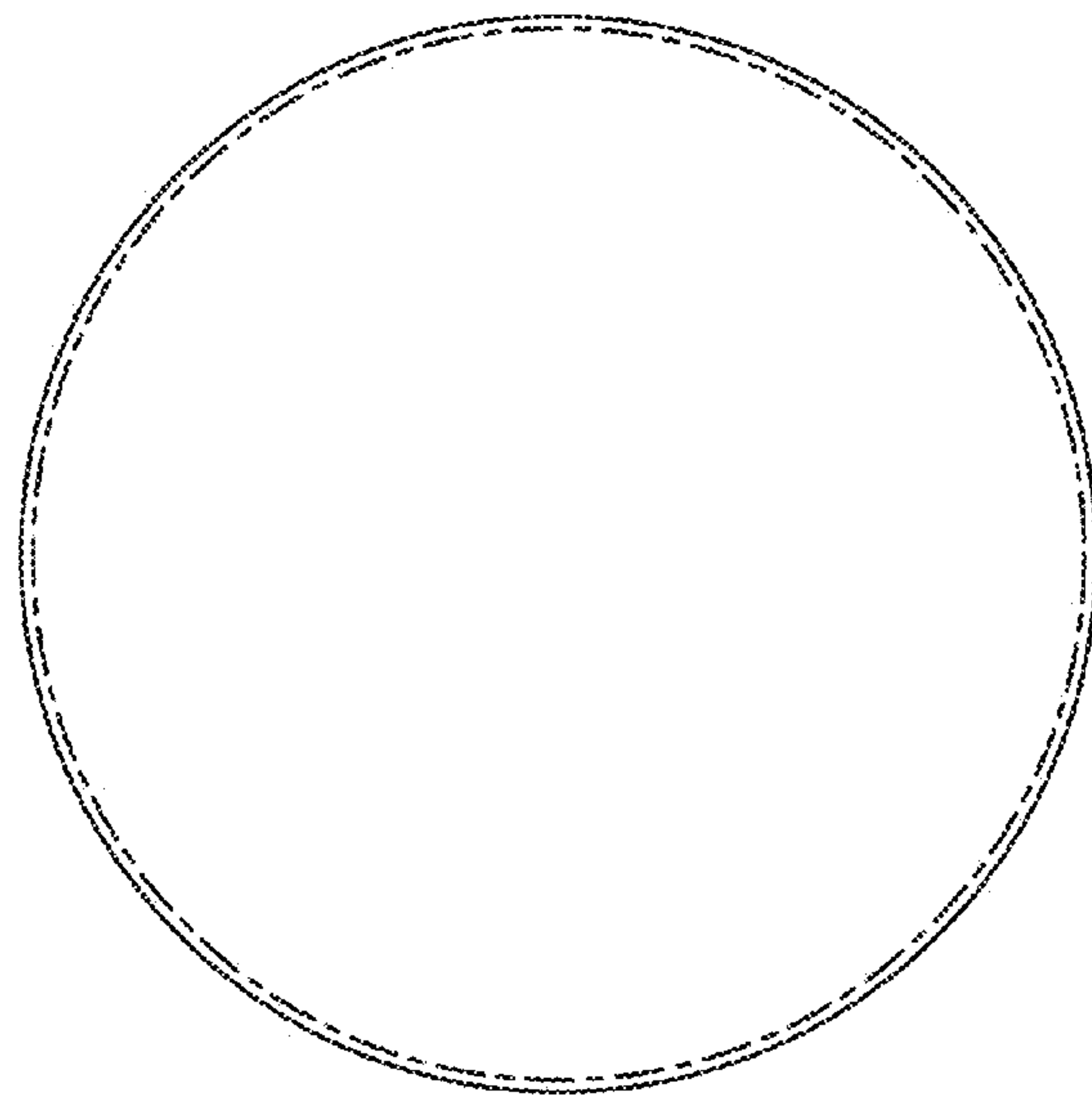


FIG. 28

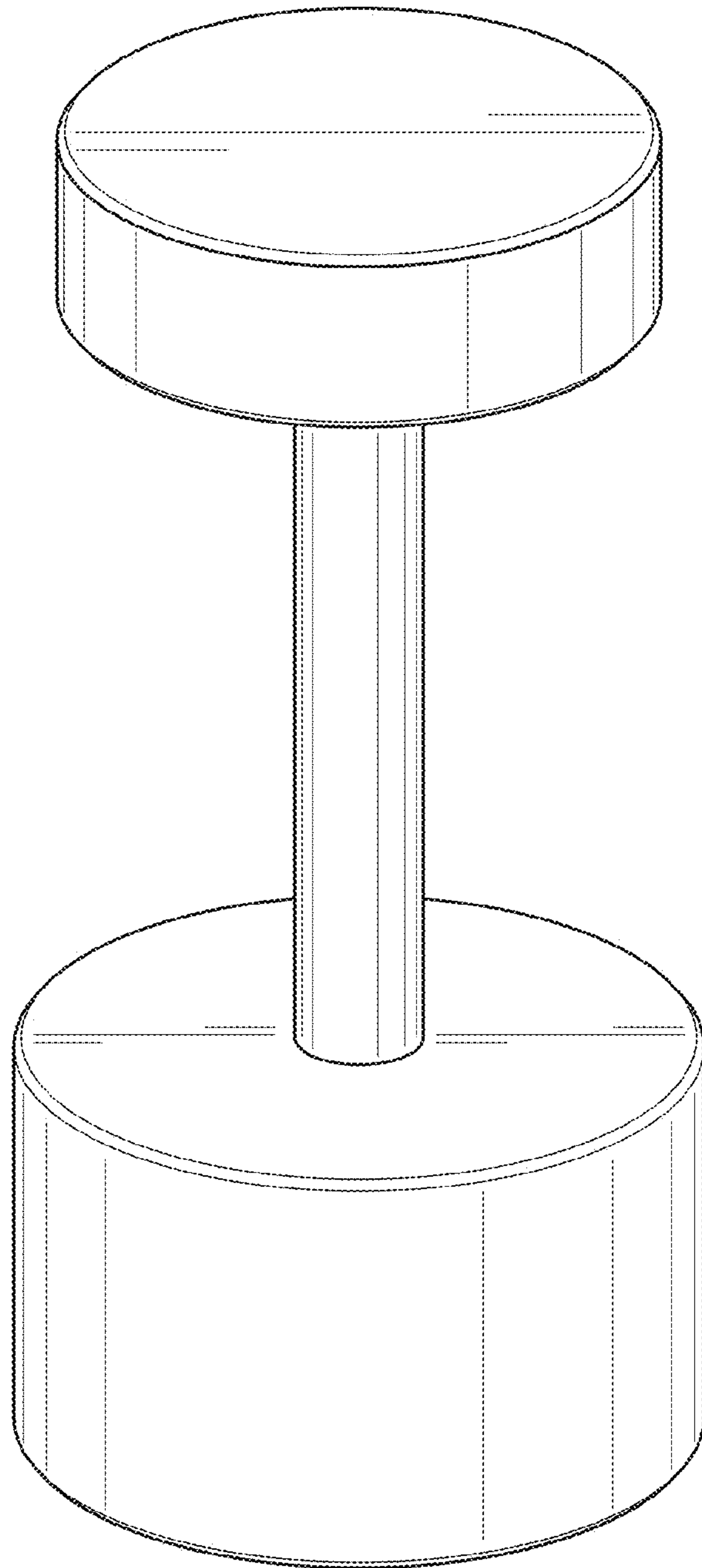


FIG. 29

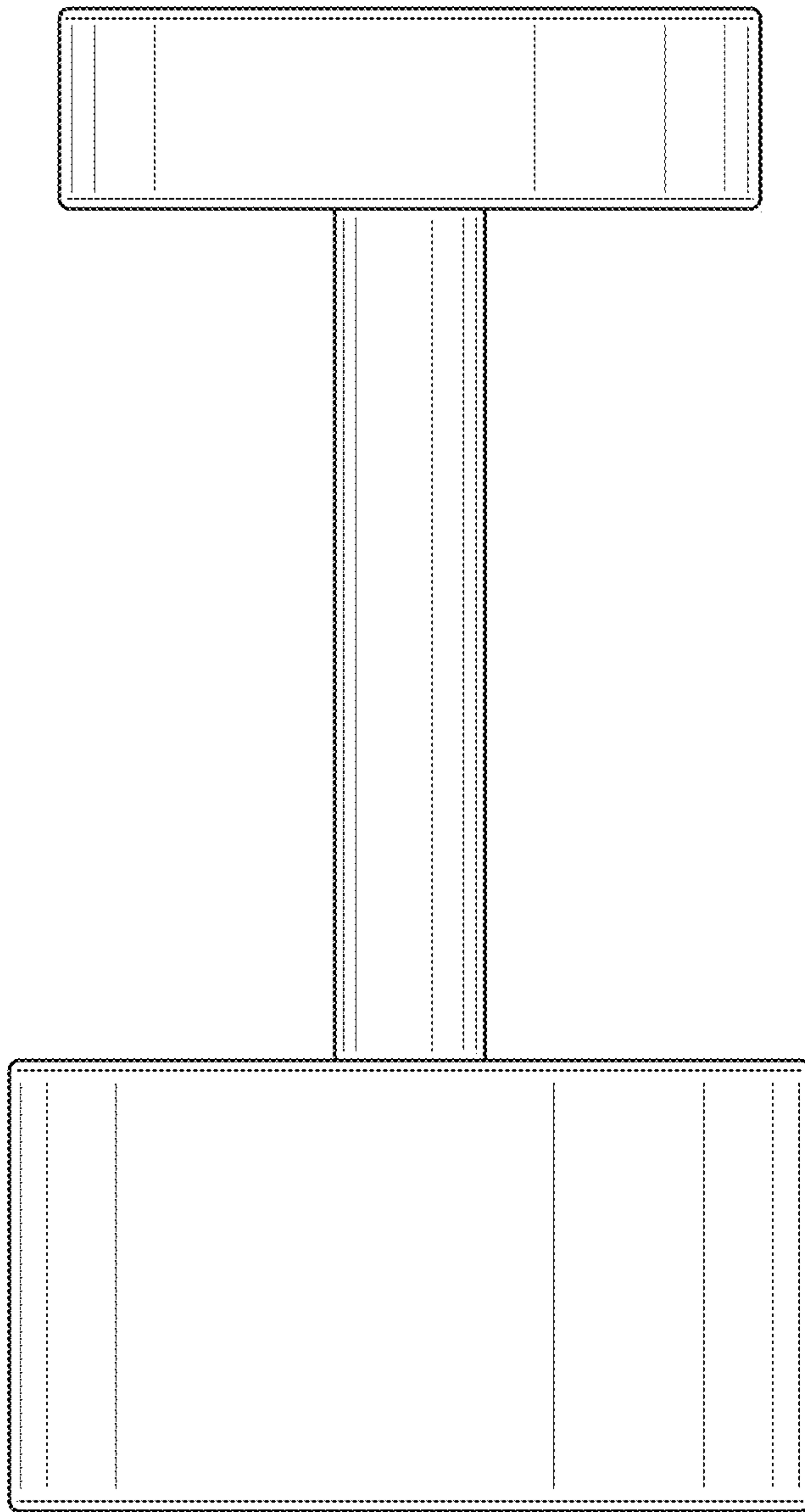


FIG. 30

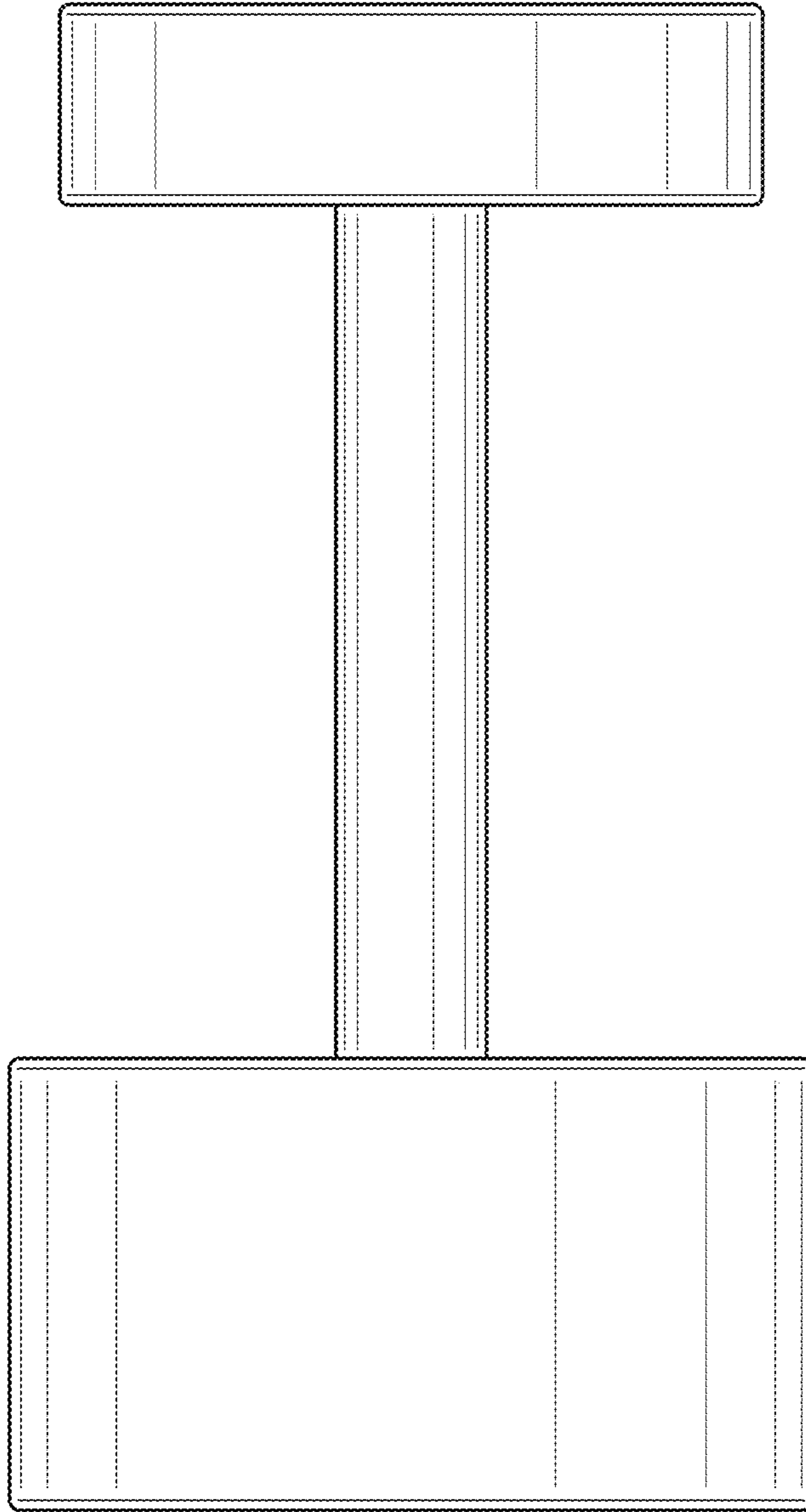


FIG. 31

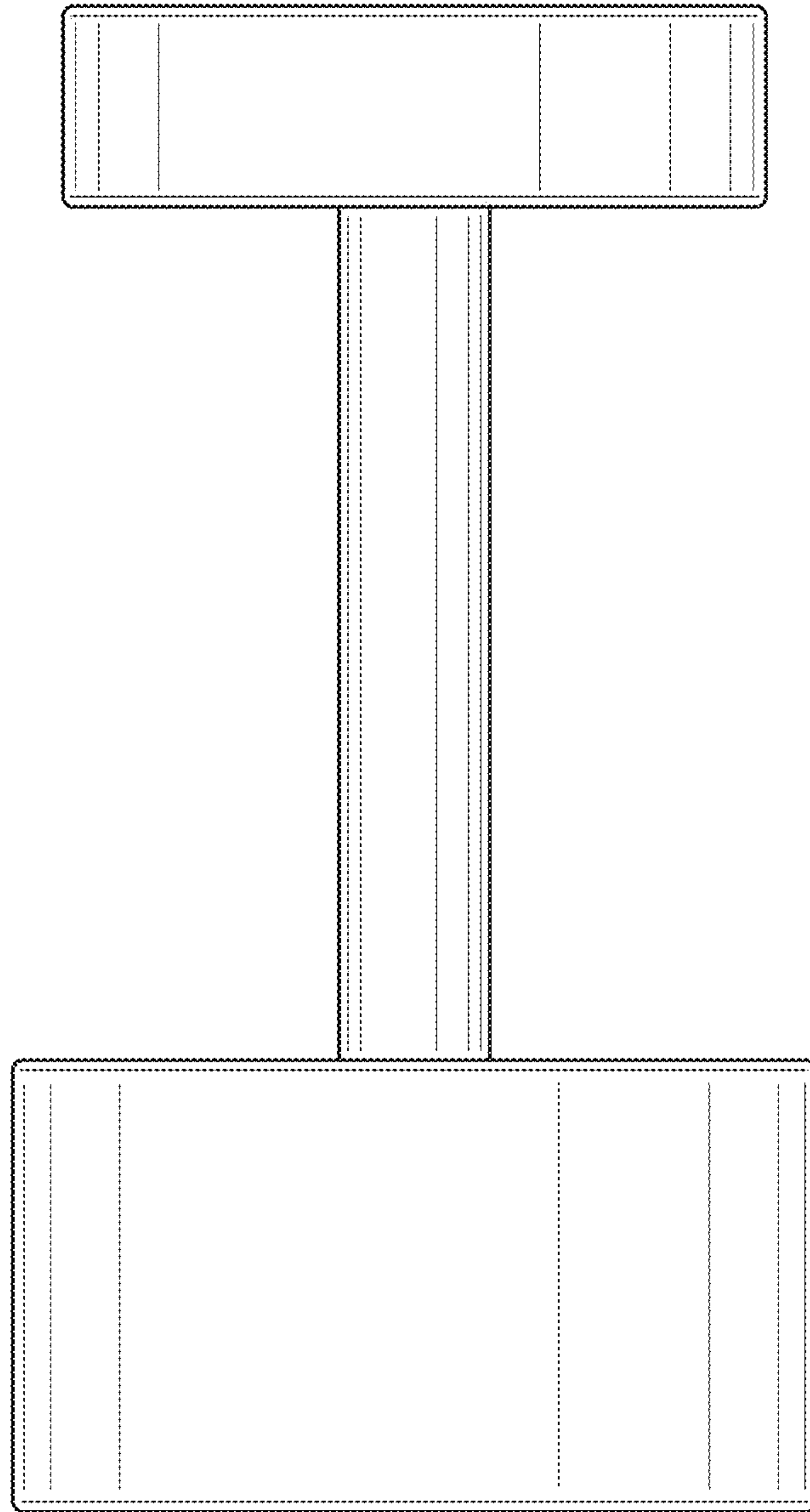


FIG. 32

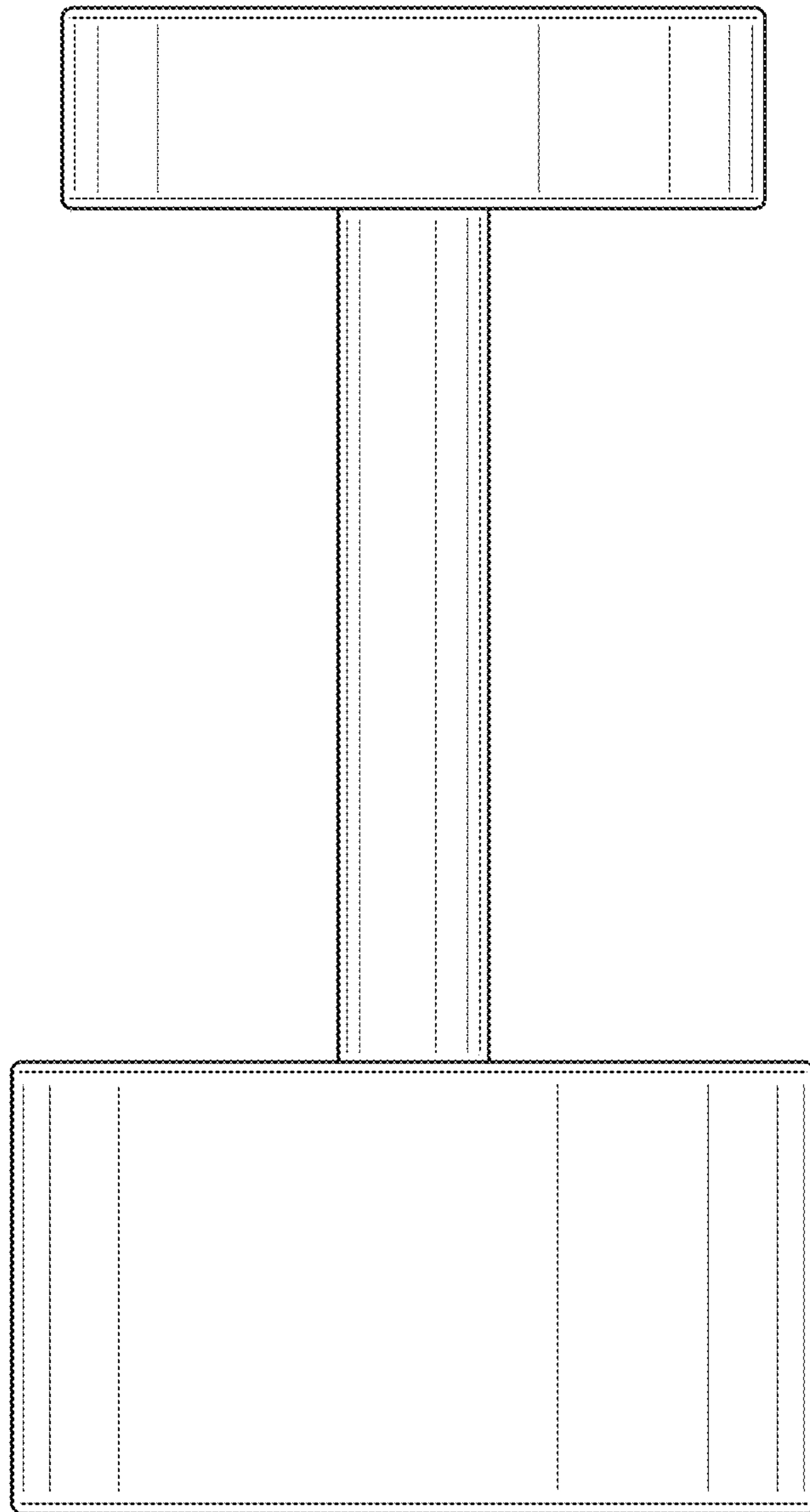


FIG. 33

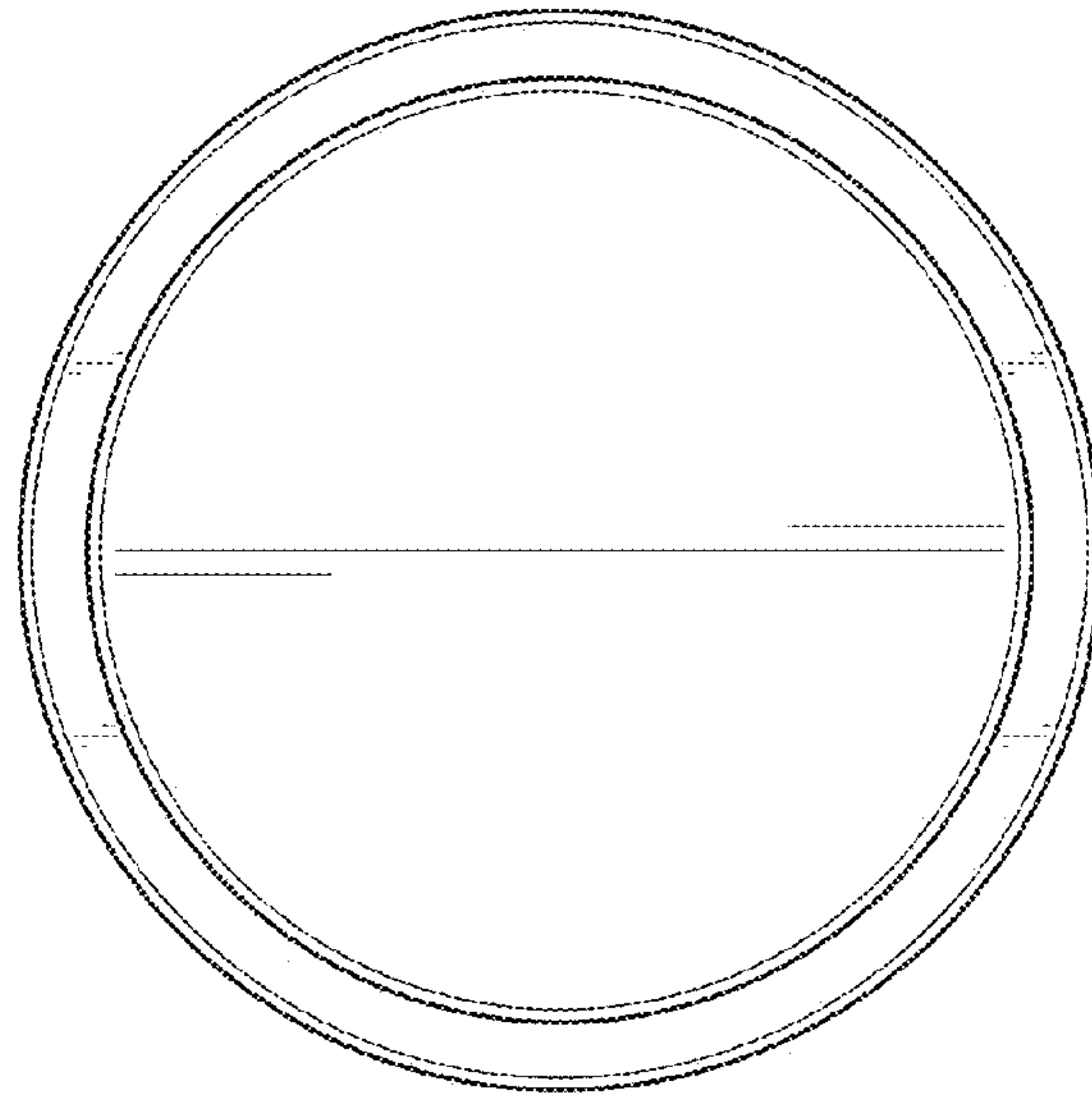


FIG. 34

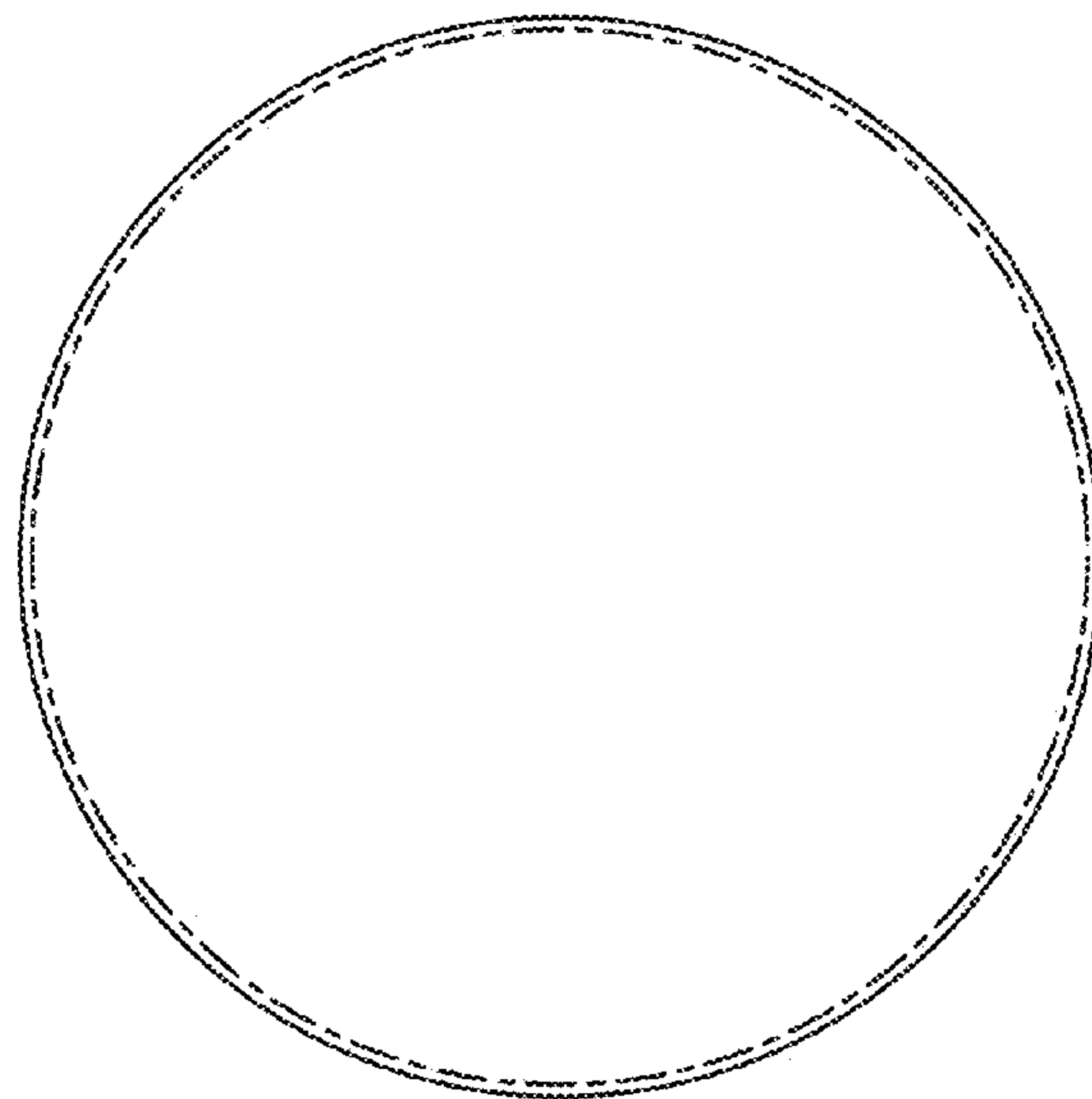


FIG. 35

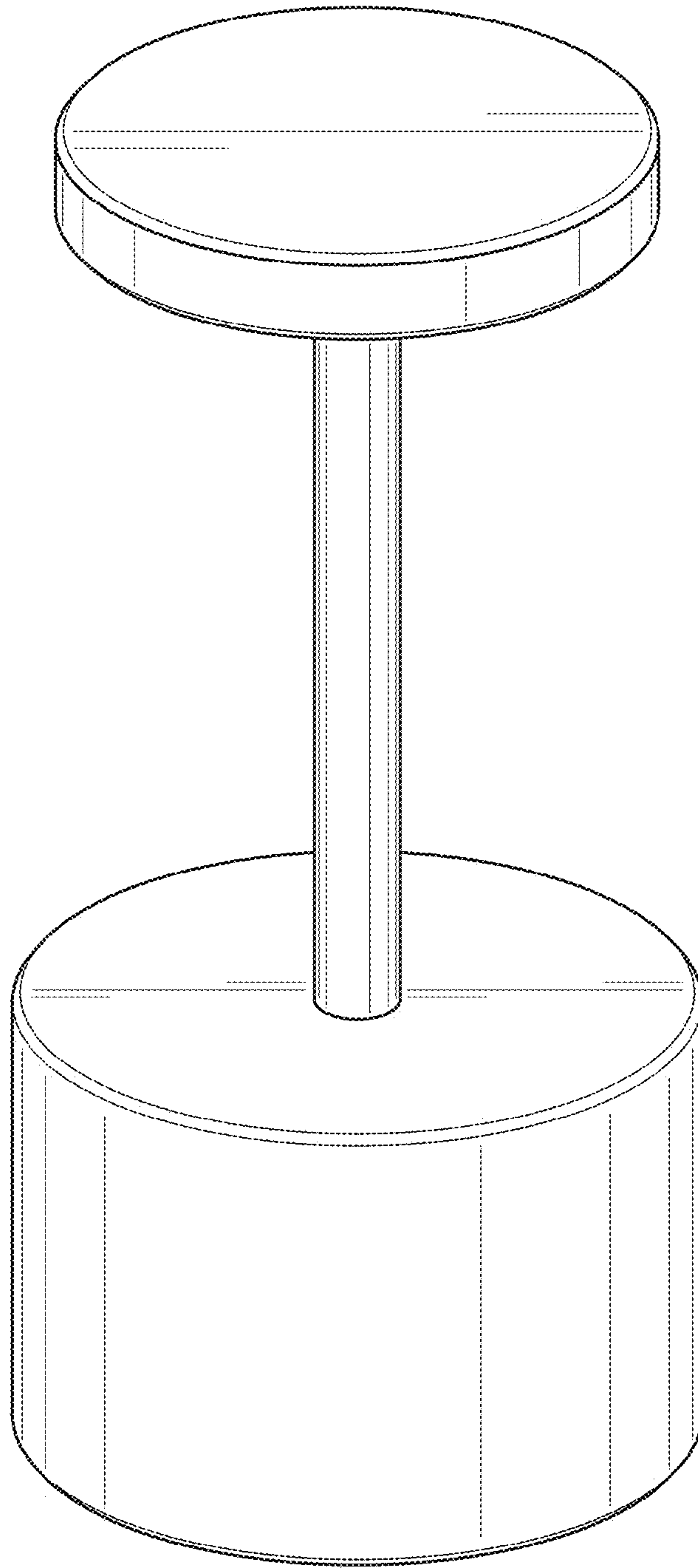


FIG. 36

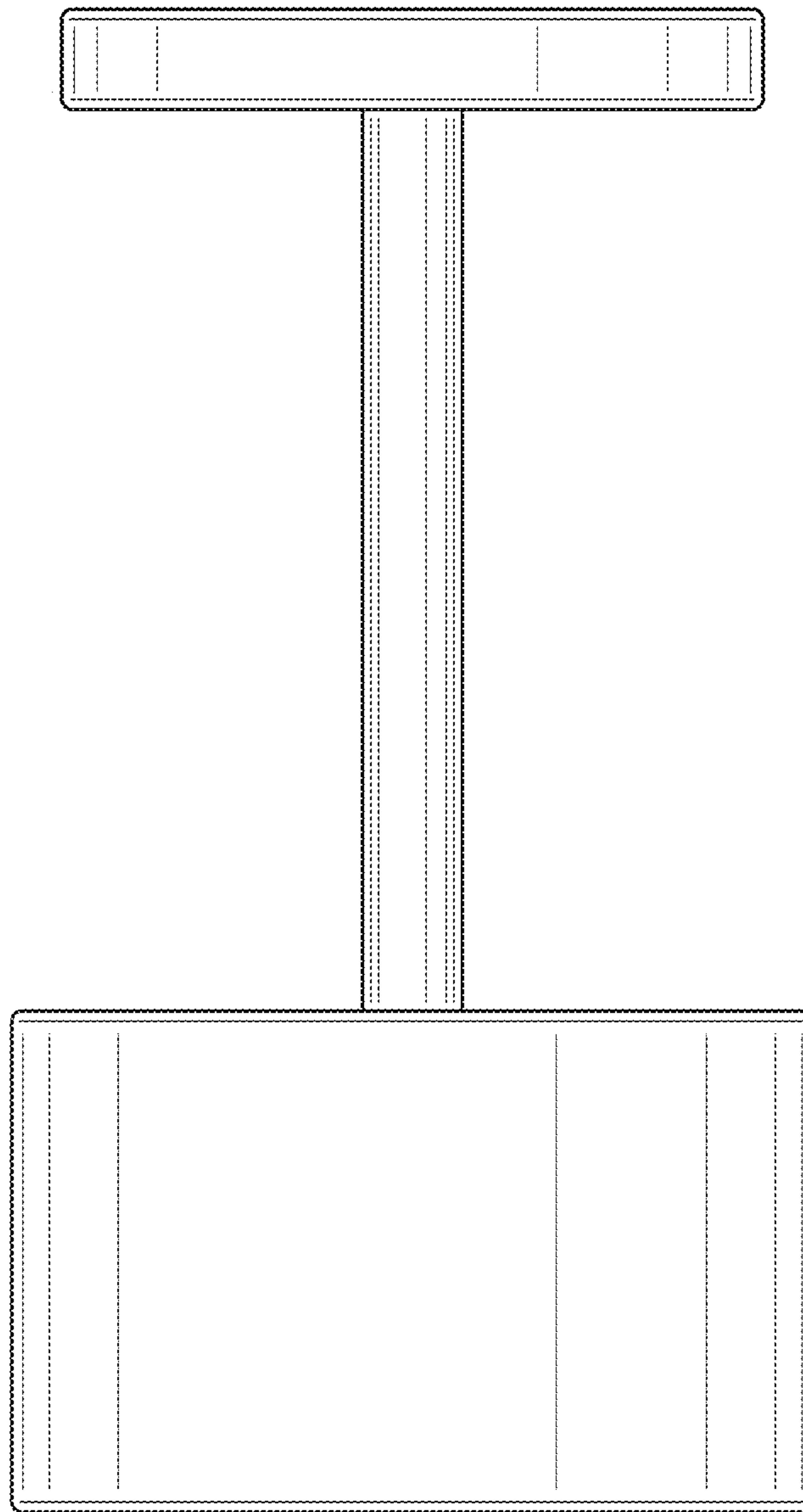


FIG. 37

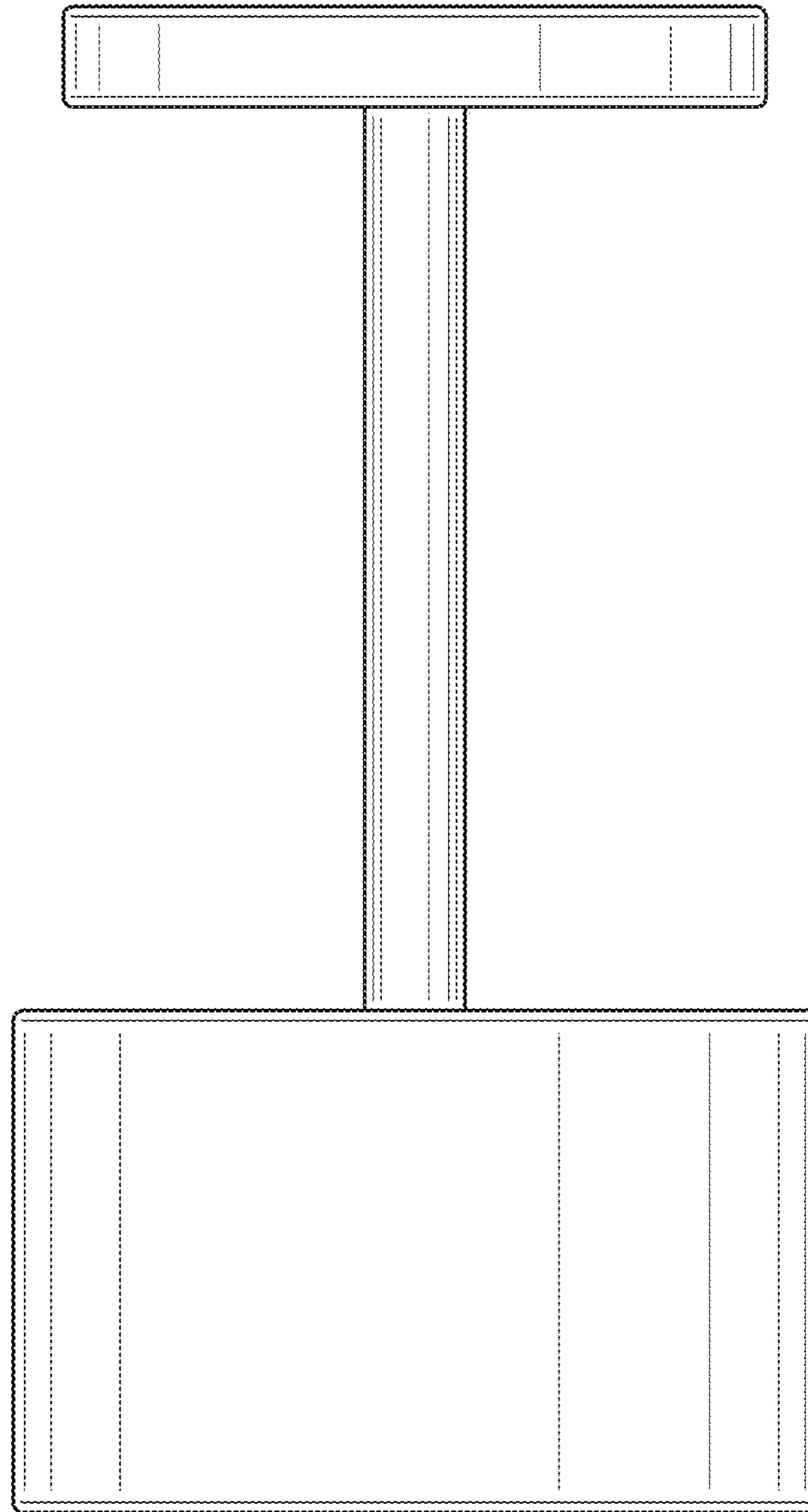


FIG. 38

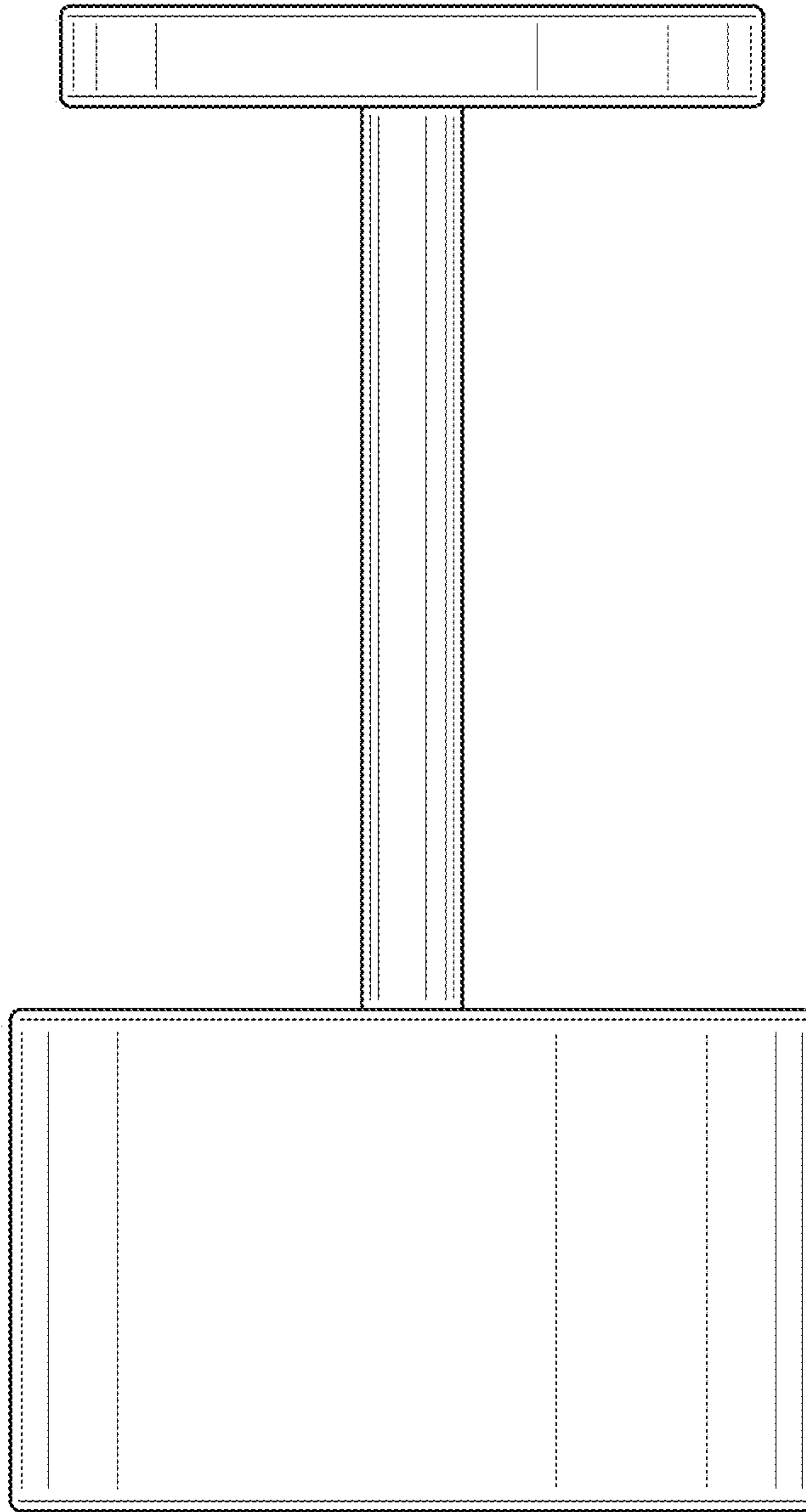


FIG. 39

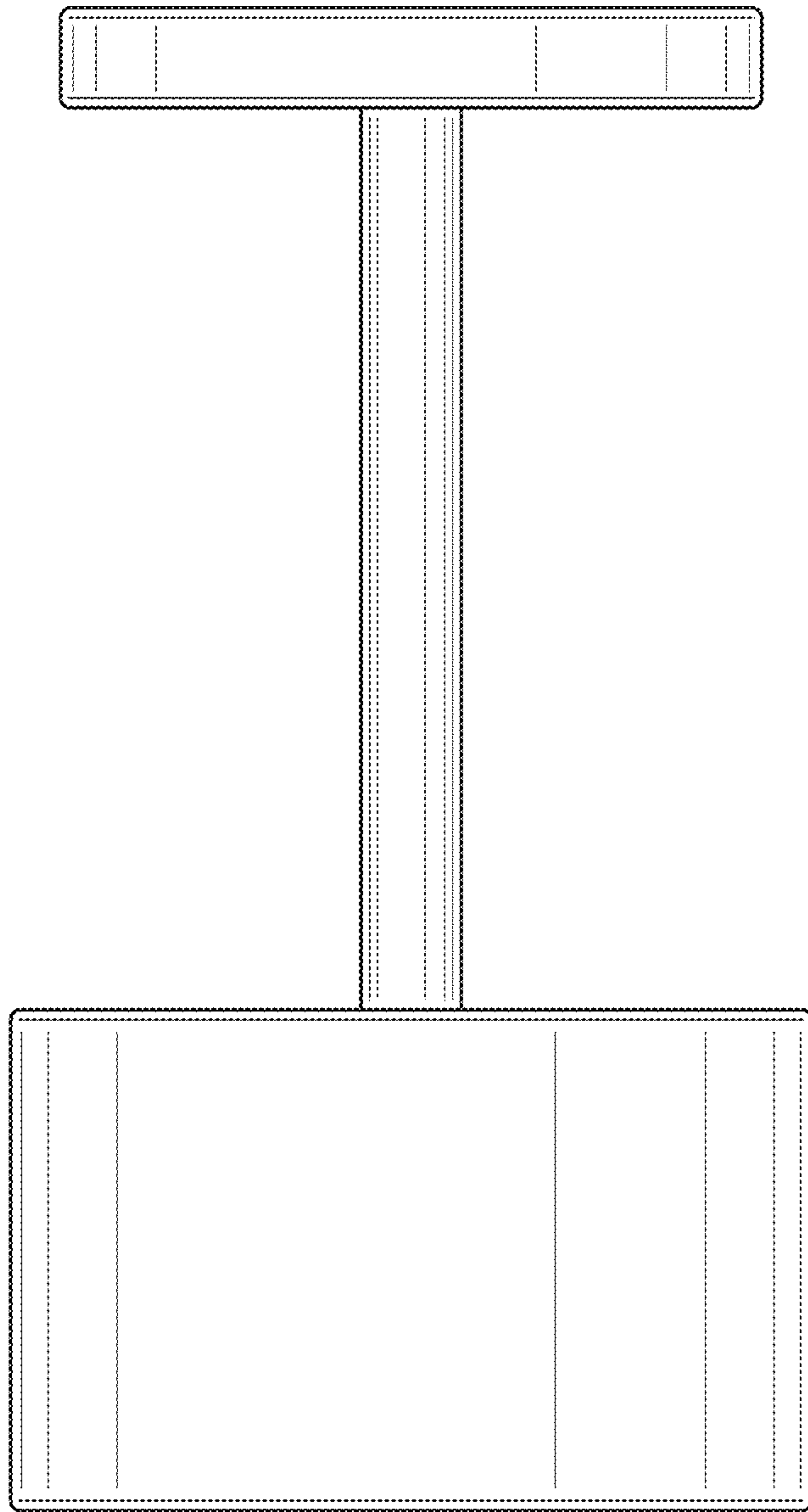


FIG. 40

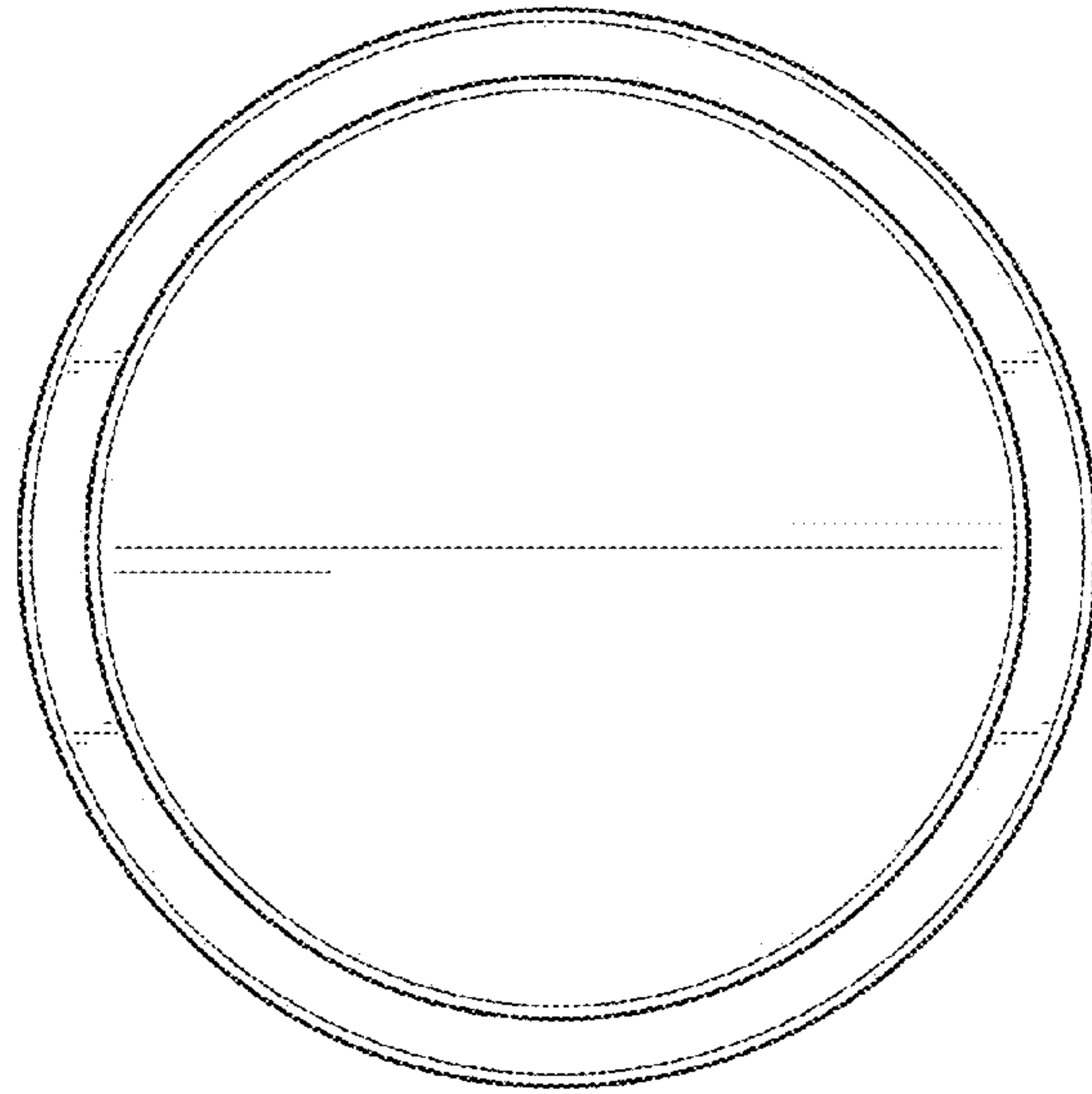


FIG. 41

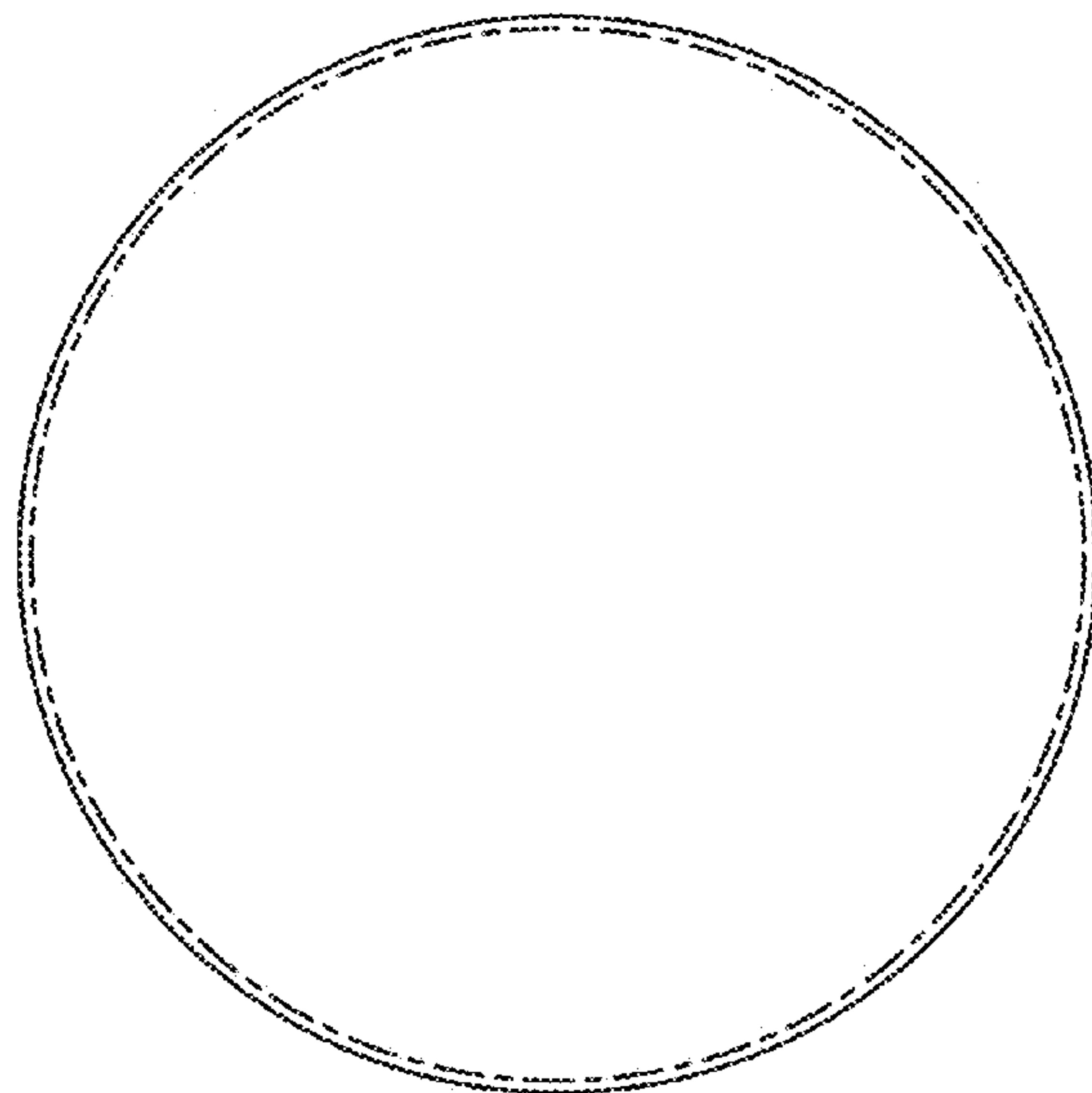


FIG. 42