



US00D764194S

(12) **United States Design Patent**  
**Murray et al.**

(10) **Patent No.:** **US D764,194 S**

(45) **Date of Patent:** **\*\* Aug. 23, 2016**

- (54) **STOOL**
- (71) Applicant: **Knoll, Inc.**, East Greenville, PA (US)
- (72) Inventors: **Seth Murray**, San Francisco, CA (US);  
**Bret Recor**, San Francisco, CA (US)
- (73) Assignee: **Knoll, Inc.**, East Greenville, PA (US)
- (\*\*) Term: **15 Years**
- (21) Appl. No.: **29/527,922**
- (22) Filed: **May 22, 2015**
- (51) **LOC (10) Cl.** ..... **06-01**
- (52) **U.S. Cl.**  
USPC ..... **D6/349**
- (58) **Field of Classification Search**  
USPC ..... D6/334-335, 349-355, 358, 360,  
D6/362-365, 370, 374, 381, 691, 691.1,  
D6/691.4, 692, 693, 694, 694.2  
CPC ..... A47C 9/00; A47C 9/02; A47C 9/002;  
A47C 9/007; A47C 9/025; A47C 9/10;  
A47C 11/00; A47C 12/00; A47C 13/00;  
A47C 16/02; A47C 5/02; A47C 5/04; A47C  
5/043; A47C 7/00-7/006; A47C 7/02; A47B  
3/00; A47B 3/02; A47B 3/04; A47B 3/12  
See application file for complete search history.

4,130,263	A	12/1978	Roericht	
4,738,487	A	4/1988	Shalinsky et al.	
D341,259	S *	11/1993	Mele	D6/349
D454,438	S *	3/2002	Volkman	D6/349
D467,745	S *	12/2002	Ryan	D6/364
D473,389	S *	4/2003	Ryan	D6/364
6,834,916	B2	12/2004	Volkman et al.	
6,997,511	B2	2/2006	Marchand et al.	
7,478,878	B2	1/2009	Oettinger	
D641,981	S *	7/2011	Wu	D6/353
D657,149	S *	4/2012	Lievore	D6/360
D666,425	S *	9/2012	Link	D6/349
D689,705	S *	9/2013	Gustafson	D6/353
D691,840	S *	10/2013	Copeland	D6/656.15
D697,328	S *	1/2014	Keen	D6/353
8,646,841	B2	2/2014	Molnar	
D741,073	S *	10/2015	Keen	D6/349

\* cited by examiner

*Primary Examiner* — Vy Koenig

(74) *Attorney, Agent, or Firm* — Buchanan Ingersoll & Rooney PC

(57) **CLAIM**

The ornamental design for a stool, as shown and described.

**DESCRIPTION**

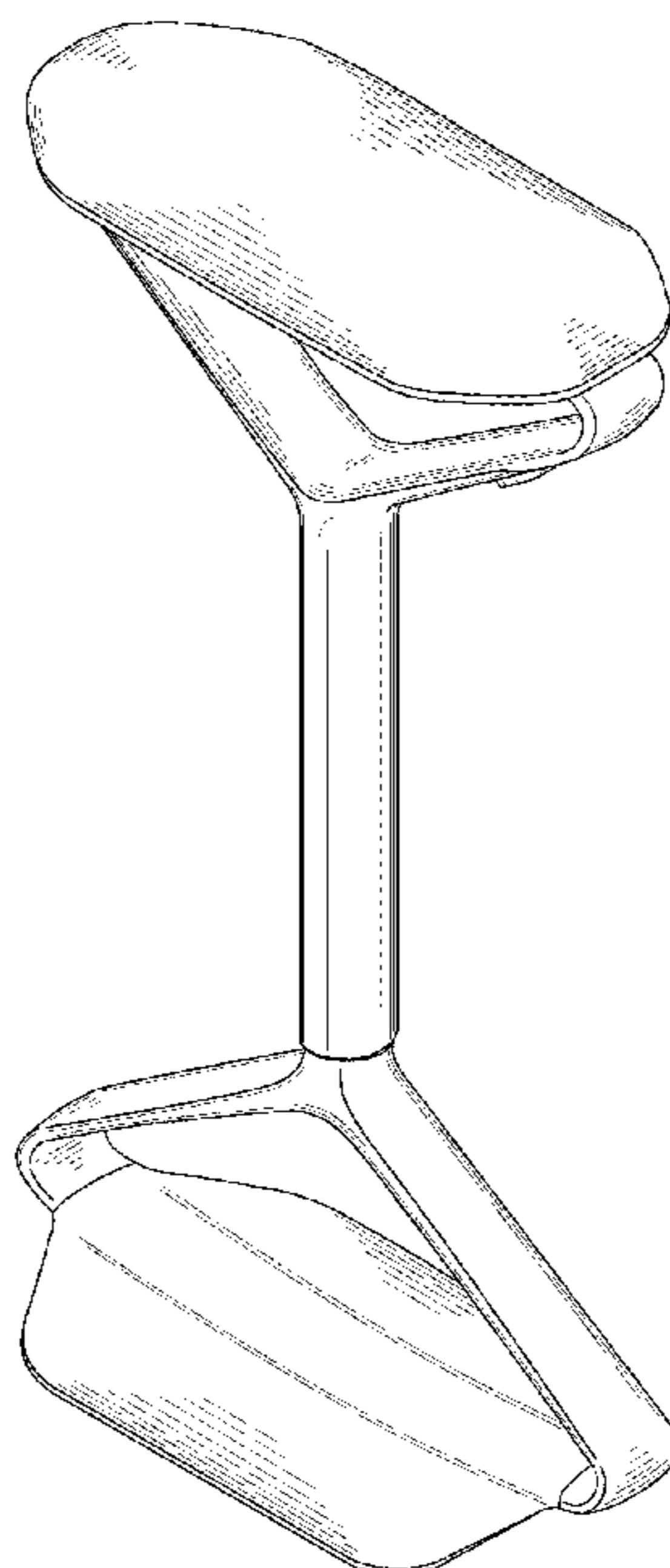
FIG. 1 is a perspective view of a stool showing our new design;  
 FIG. 2 is a front elevational view thereof;  
 FIG. 3 is a rear elevational view thereof;  
 FIG. 4 is a top plan view thereof;  
 FIG. 5 is a bottom plan view thereof;  
 FIG. 6 is a left side elevational view thereof;  
 FIG. 7 is a right side elevational view thereof; and,  
 FIG. 8 is a bottom, rear perspective view thereof.

**1 Claim, 6 Drawing Sheets**

(56) **References Cited**

U.S. PATENT DOCUMENTS

3,312,437	A	4/1967	Barth	
3,467,033	A *	9/1969	Remer	A47C 9/10 108/115
4,098,478	A *	7/1978	Spitzke	A47C 9/10 108/115



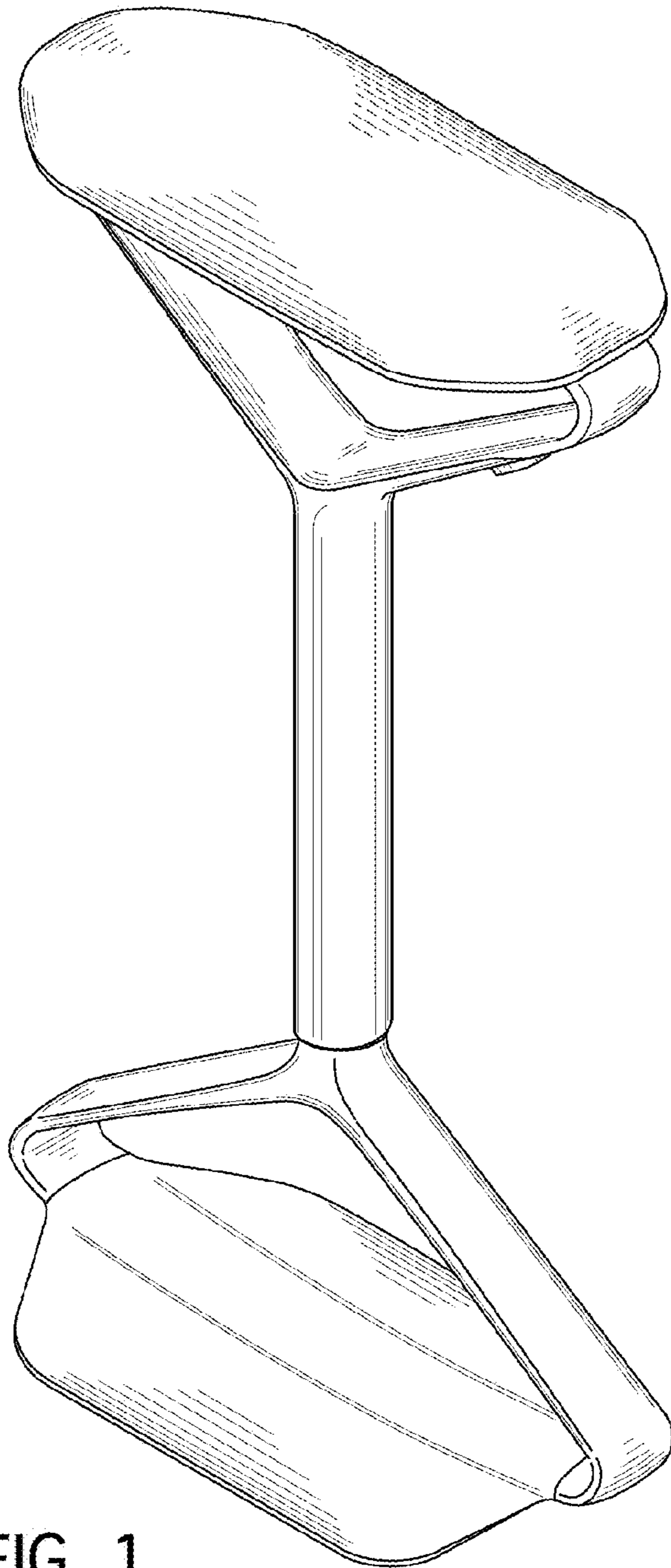


FIG. 1

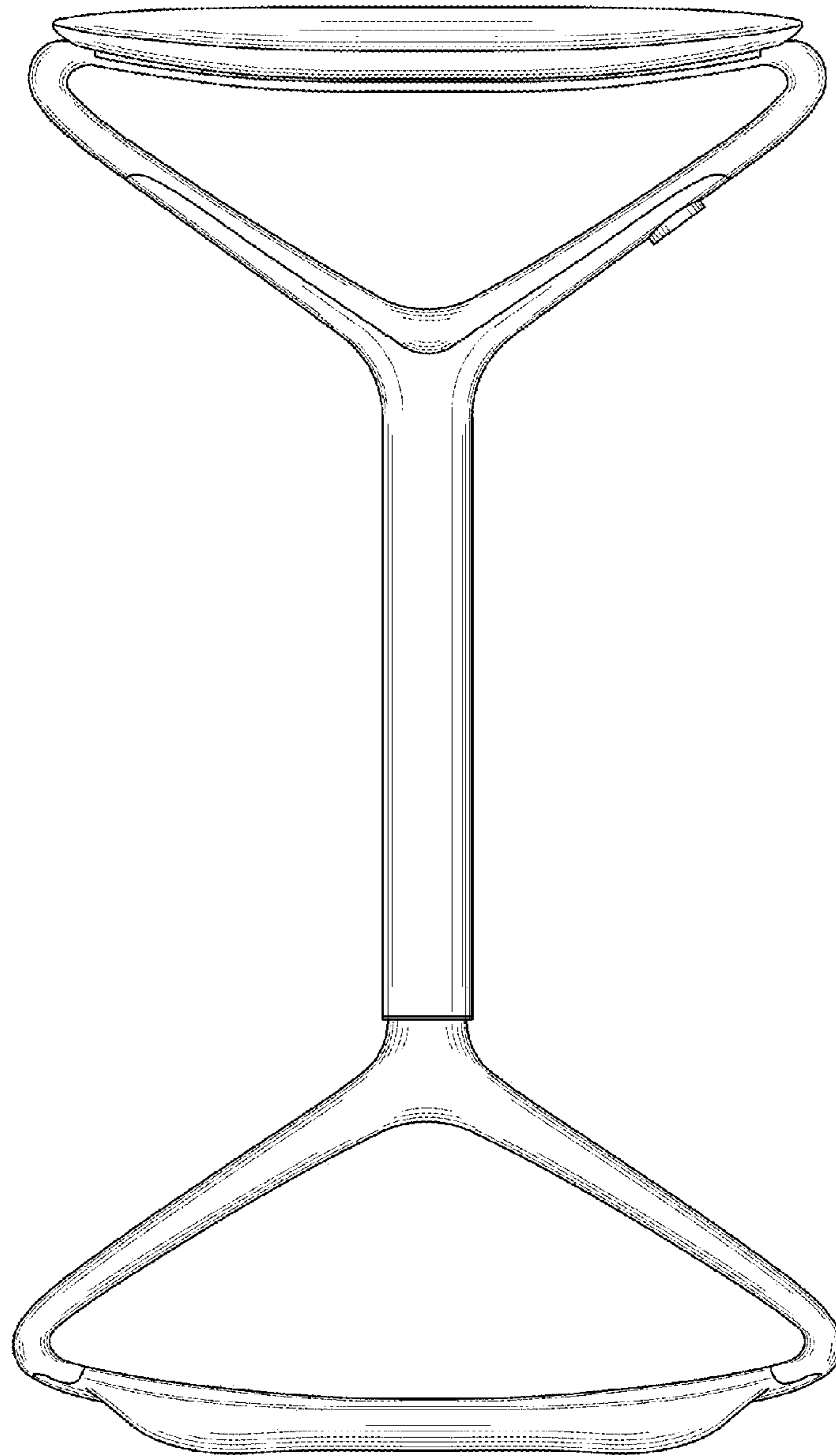


FIG. 2

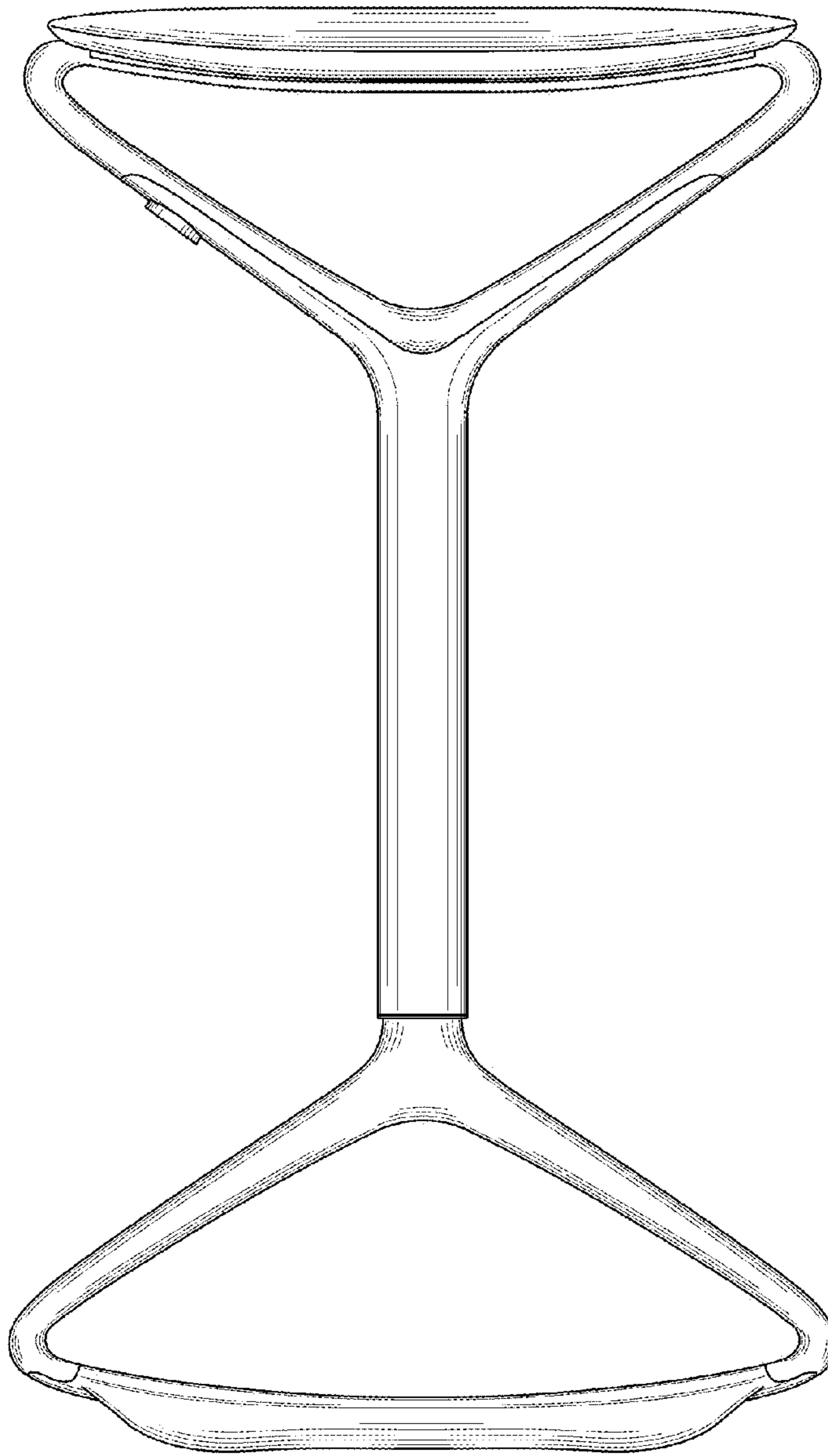


FIG. 3

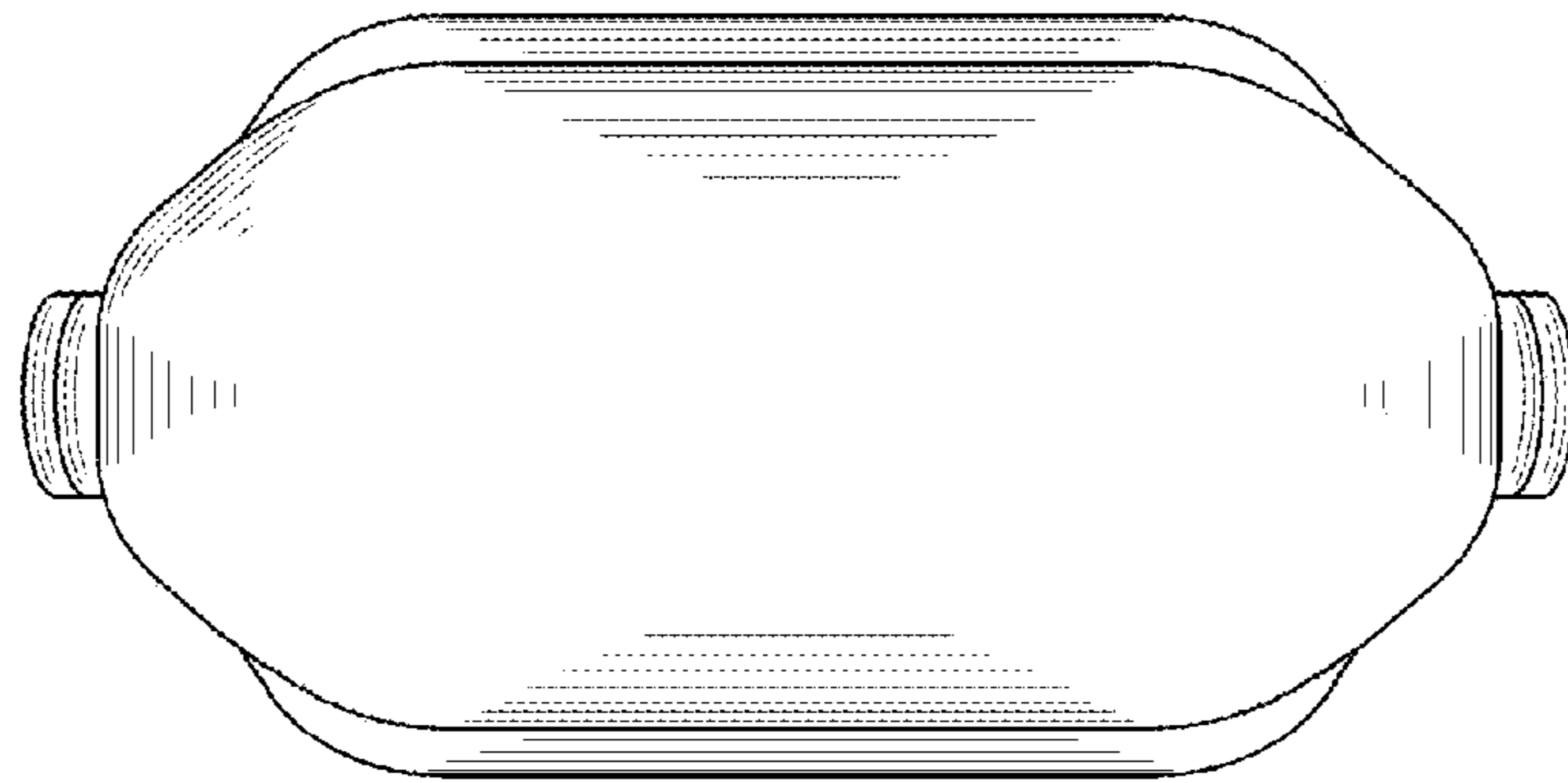


FIG. 4



FIG. 5

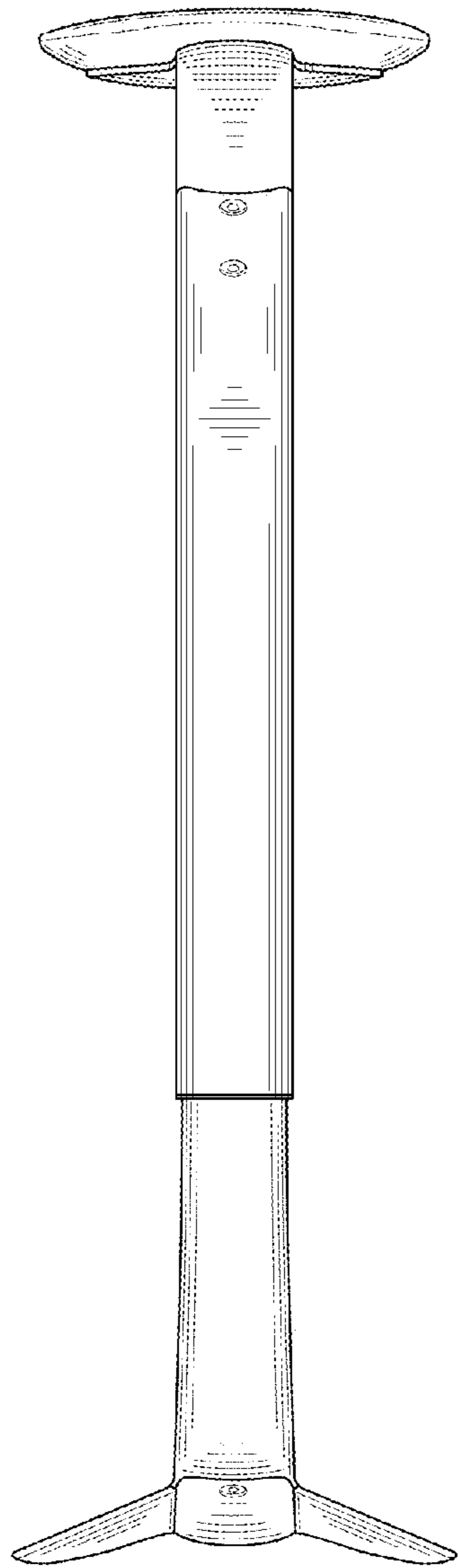


FIG. 6

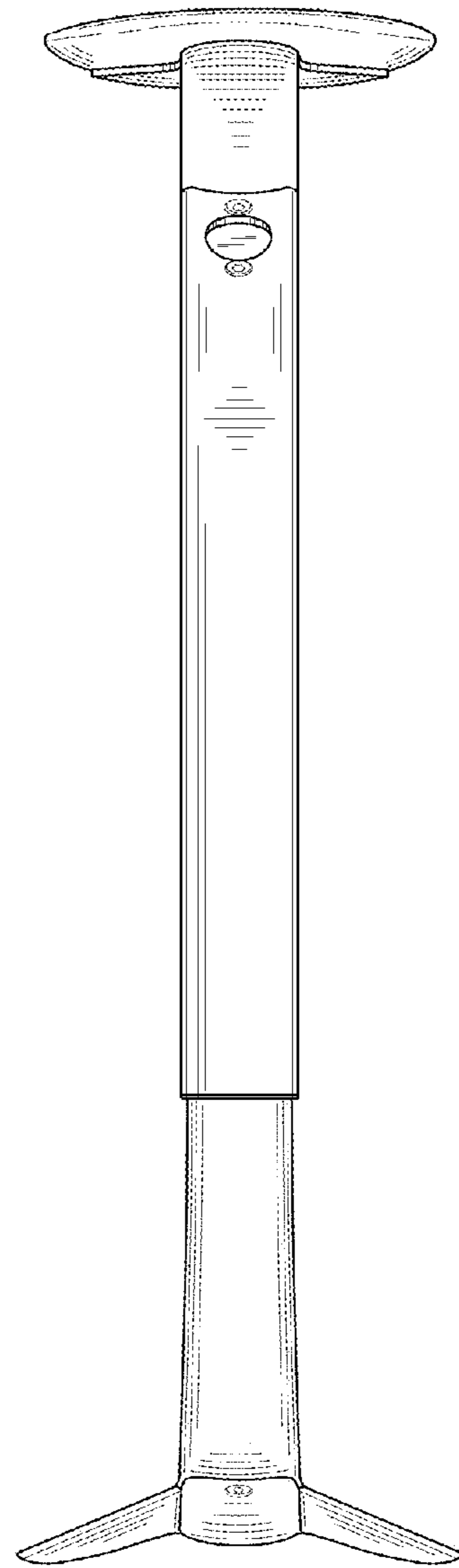


FIG. 7

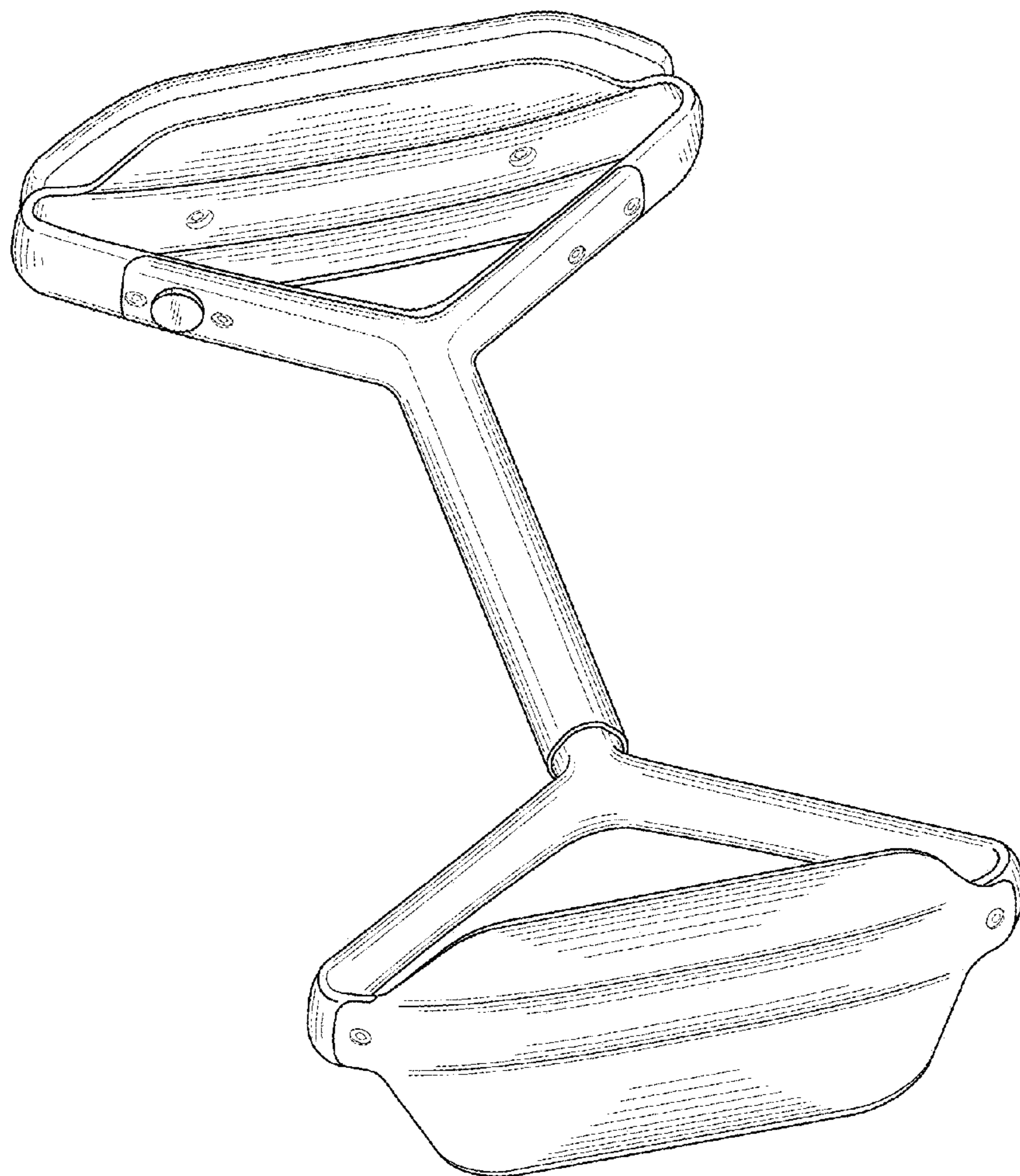


FIG. 8