

US00D764191S

(12) **United States Design Patent**  
**Gelman**

(10) **Patent No.:** **US D764,191 S**

(45) **Date of Patent:** **\*\* Aug. 23, 2016**

(54) **STOOL**

(71) Applicant: **Eric Gelman**, Melbourne, FL (US)

(72) Inventor: **Eric Gelman**, Melbourne, FL (US)

(\*\*) Term: **14 Years**

(21) Appl. No.: **29/525,281**

(22) Filed: **Apr. 28, 2015**

(51) **LOC (10) Cl.** ..... **06-01**

(52) **U.S. Cl.**  
USPC ..... **D6/349; D6/370**

(58) **Field of Classification Search**

USPC ..... D6/334–335, 349–355, 358, 360,  
D6/362–365, 370, 374, 381, 691, 691.1,  
D6/691.4, 692, 693, 694, 694.2

CPC ..... A47C 9/00; A47C 9/02; A47C 9/002;  
A47C 9/007; A47C 9/025; A47C 9/10;  
A47C 11/00; A47C 12/00; A47C 13/00;  
A47C 16/02; A47C 5/02; A47C 5/04; A47C  
5/043; A47C 7/00–7/006; A47C 7/02; A47B  
3/00; A47B 3/02; A47B 3/04; A47B 3/12  
See application file for complete search history.

(56) **References Cited**

**U.S. PATENT DOCUMENTS**

D398,453 S \* 9/1998 Stead ..... D6/349  
D455,277 S \* 4/2002 Hutton ..... D6/349

D516,842 S \* 3/2006 Cross ..... D6/691.1  
D703,450 S \* 4/2014 Gelman ..... D6/349  
D703,451 S \* 4/2014 Gelman ..... D6/349  
D703,452 S \* 4/2014 Gelman ..... D6/349  
D717,053 S \* 11/2014 Gelman ..... D6/349  
D718,942 S \* 12/2014 Cohen ..... D6/349  
D721,894 S \* 2/2015 Cohen ..... D6/349  
D722,780 S \* 2/2015 Cohen ..... D6/349  
D736,529 S \* 8/2015 Cohen ..... D6/349  
D736,530 S \* 8/2015 Cohen ..... D6/349

\* cited by examiner

*Primary Examiner* — Vy Koenig

(74) *Attorney, Agent, or Firm* — Mark Malek; Widerman Malek, PL

(57) **CLAIM**

The ornamental design for a stool, as shown and described.

**DESCRIPTION**

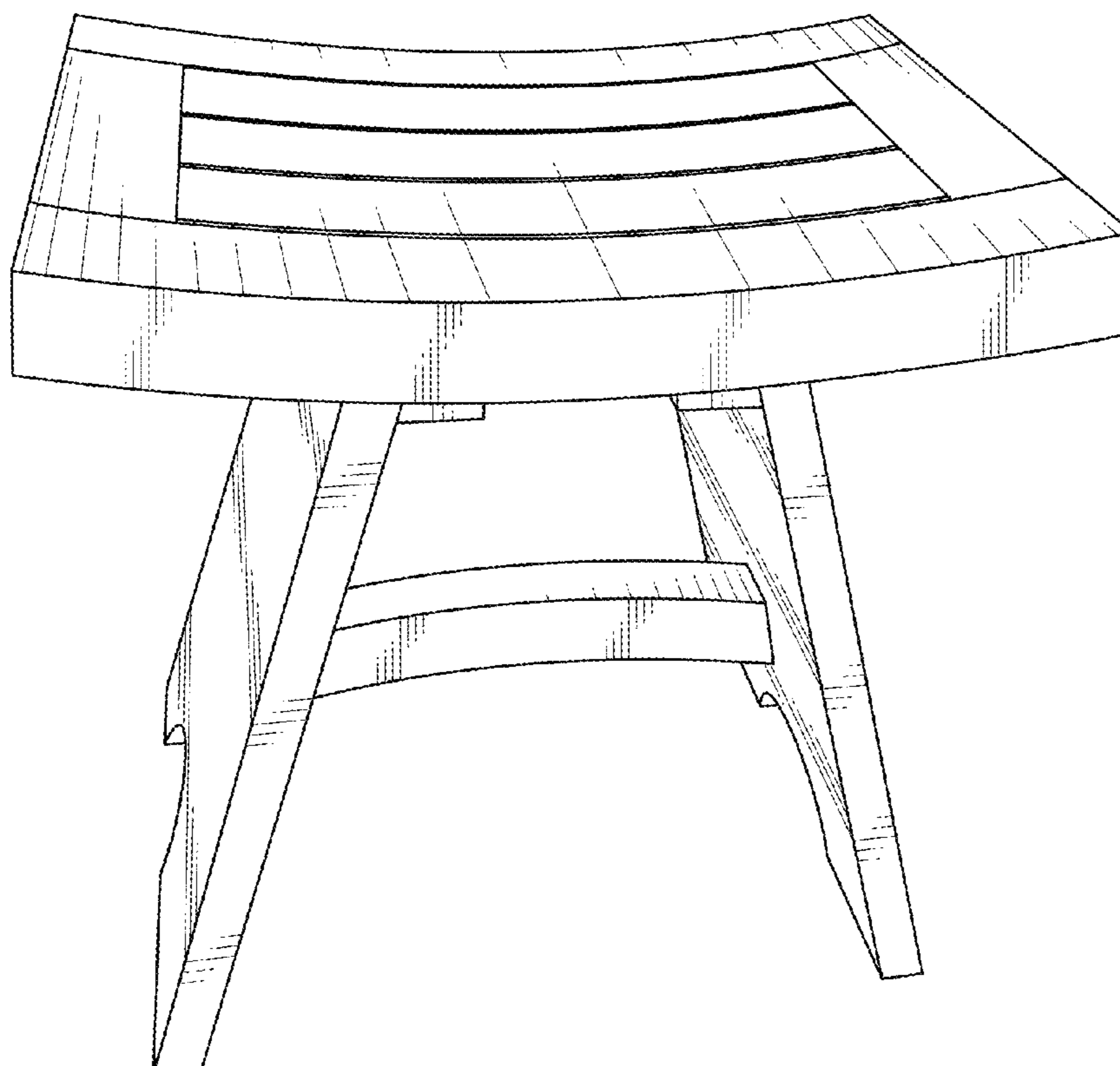
FIG. 1 is a perspective view of a stool according to the present invention.

FIG. 2 is a front elevation view of the stool illustrated in FIG. 1.

FIG. 3 is a side elevation view of the stool illustrated in FIG. 1.

FIG. 4 is a top plan view of the stool illustrated in FIG. 1; and, FIG. 5 is a bottom plan view of the stool illustrated in FIG. 1.

**1 Claim, 3 Drawing Sheets**



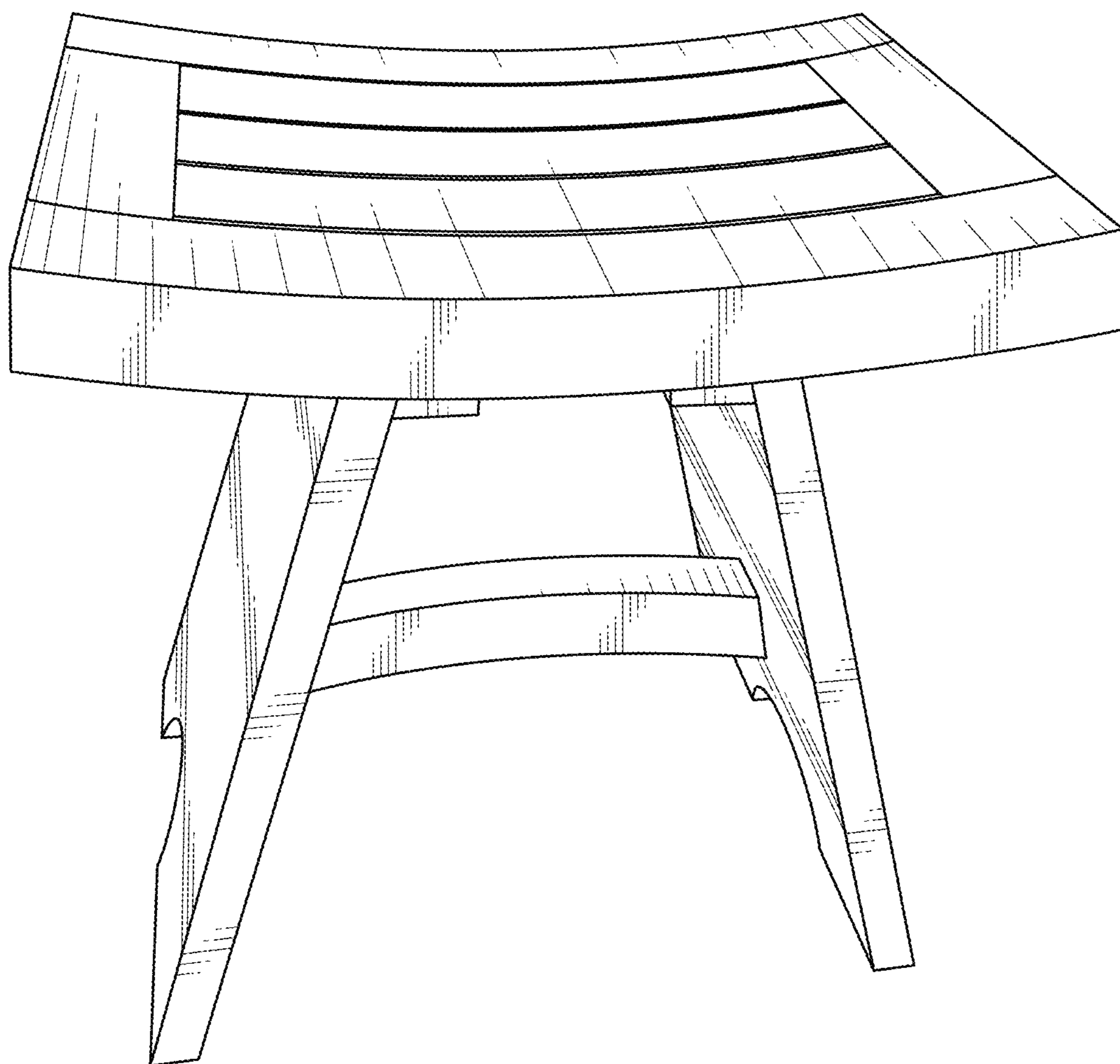


FIG. 1

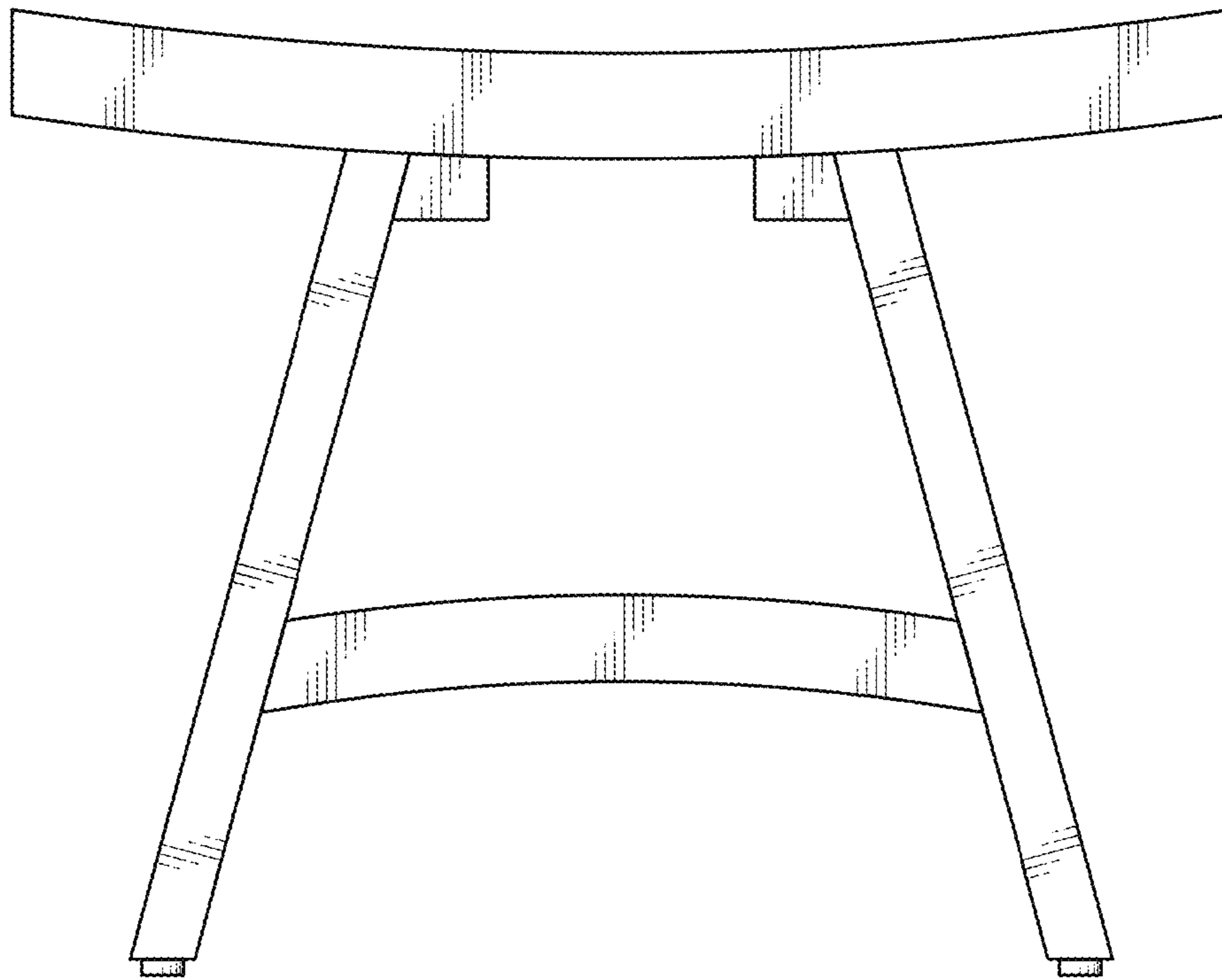


FIG. 2

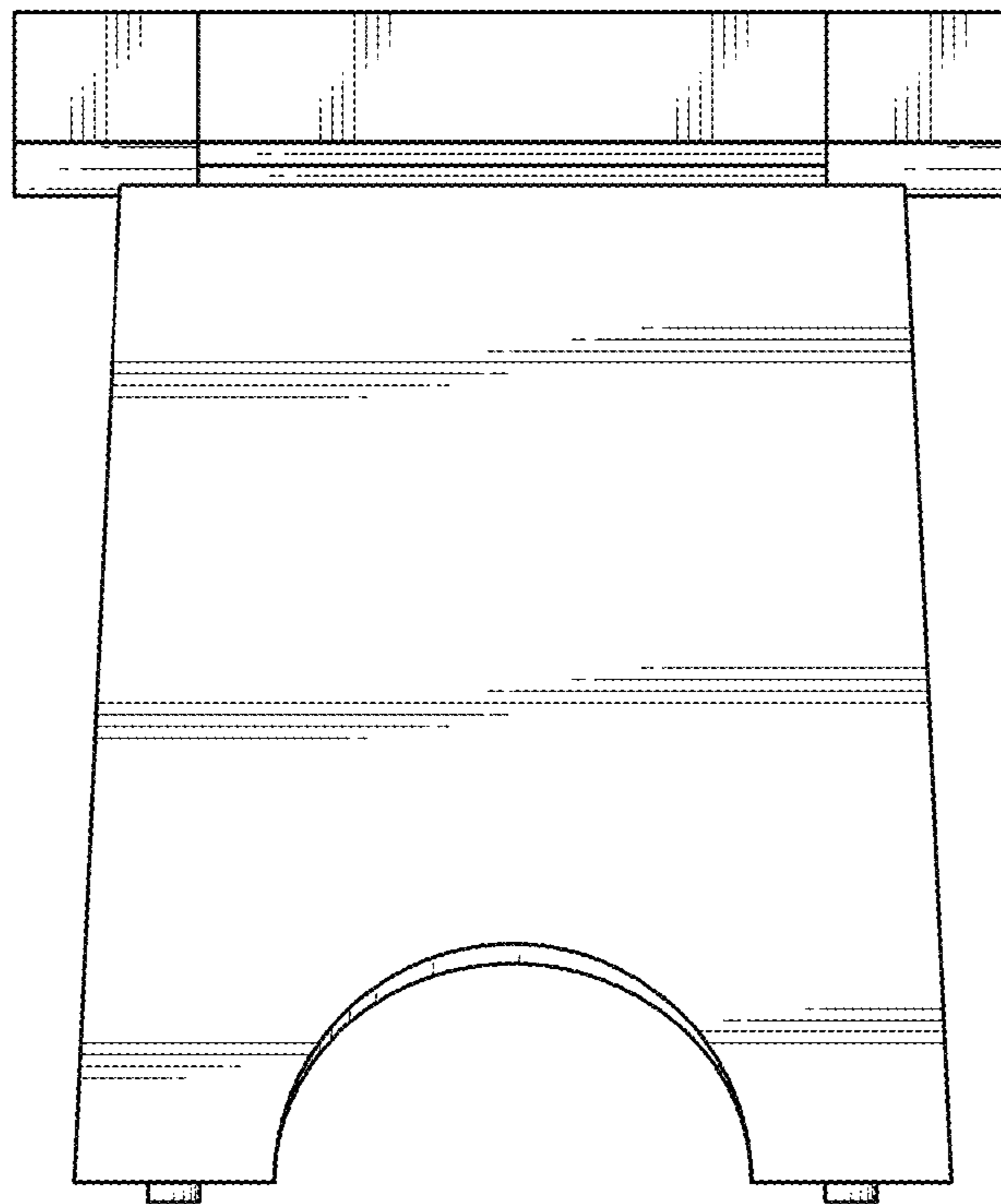


FIG. 3

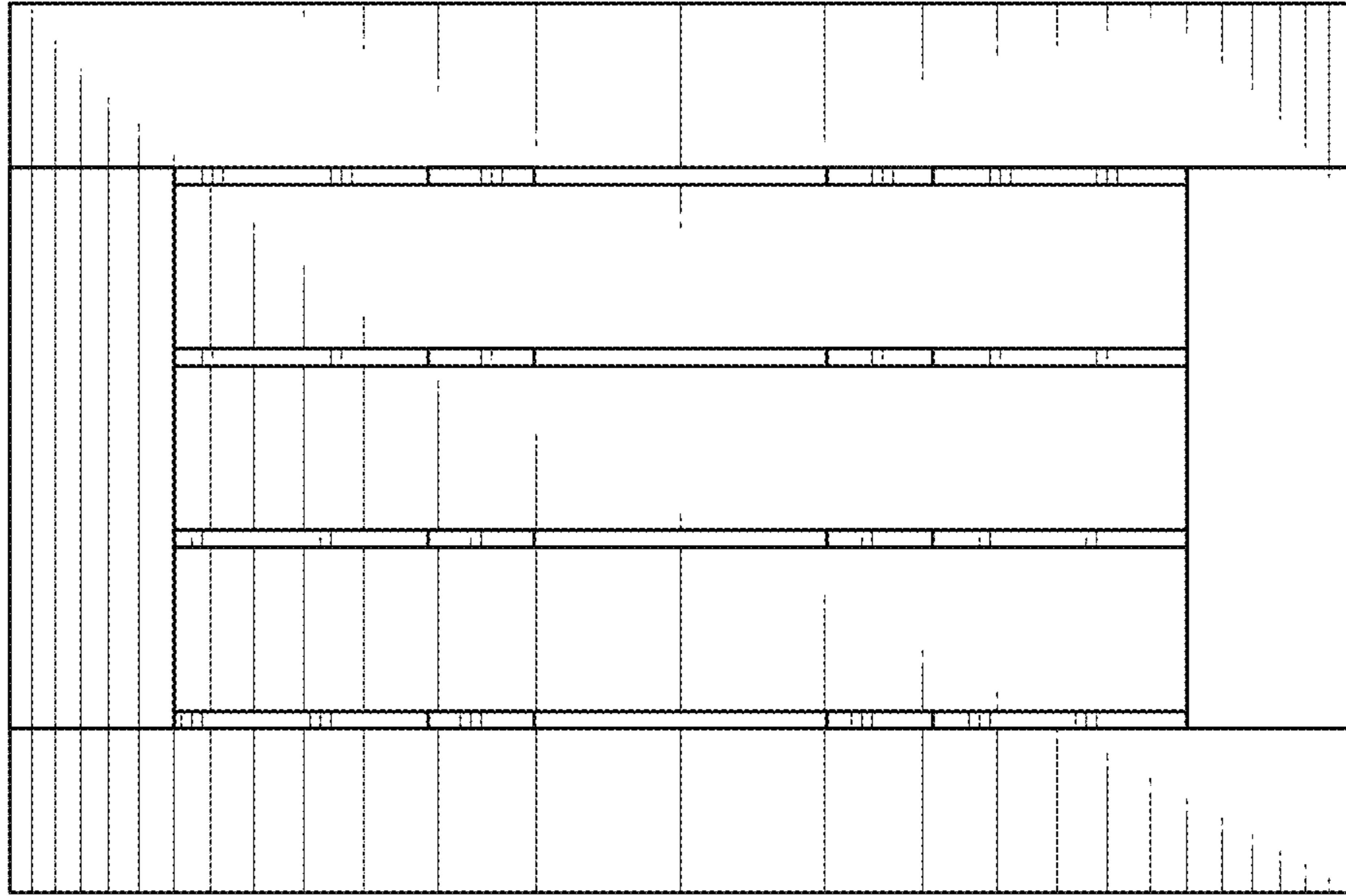


FIG. 4

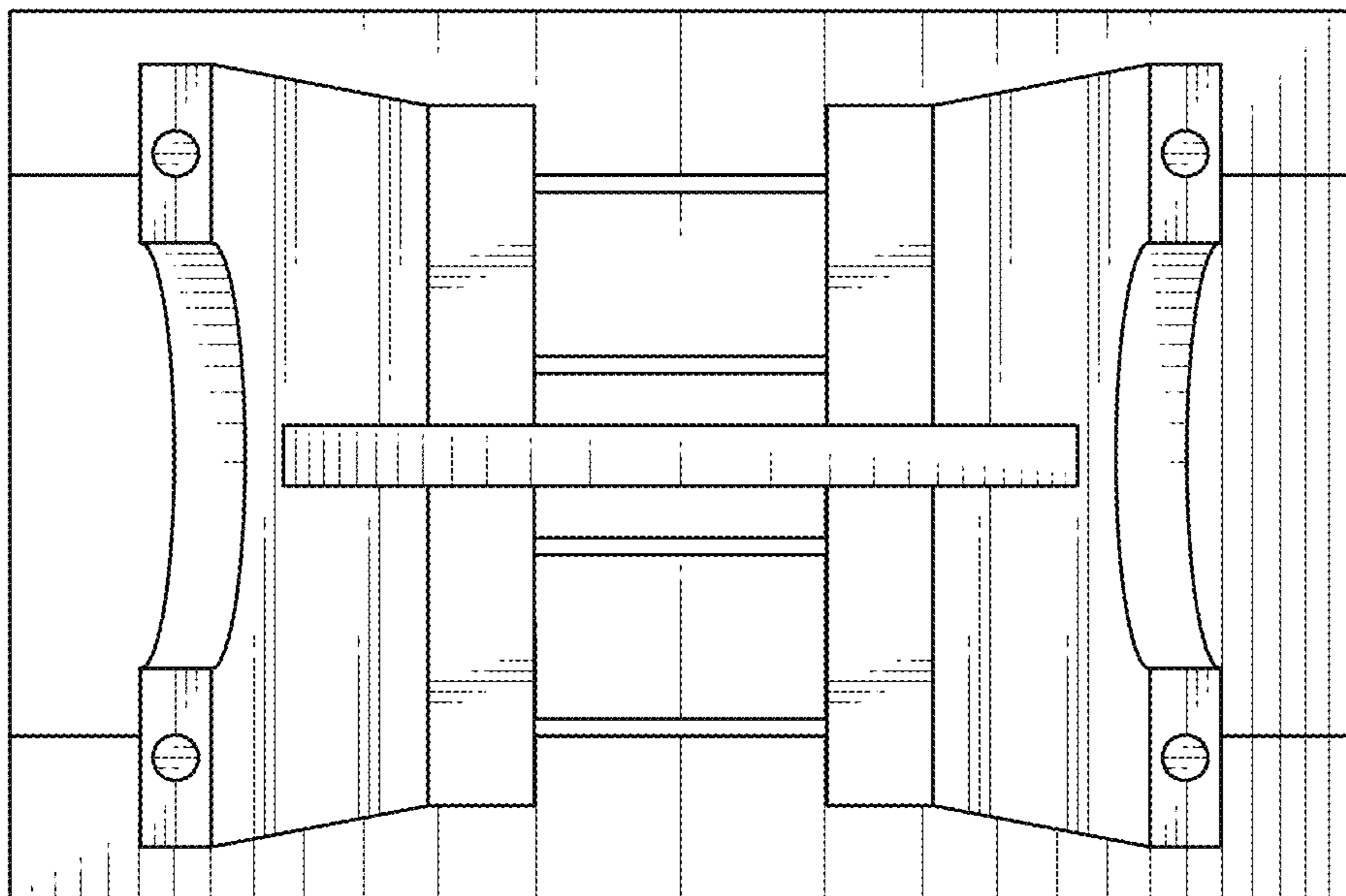


FIG. 5