



US00D764190S

(12) **United States Design Patent**
Chang

(10) **Patent No.:** **US D764,190 S**
(45) **Date of Patent:** **** Aug. 23, 2016**

- (54) **BENCH**
- (71) Applicant: **Charles Yaochung Chang**, Diamond Bar, CA (US)
- (72) Inventor: **Charles Yaochung Chang**, Diamond Bar, CA (US)
- (73) Assignee: **OCEANSTAR DESIGN GROUP INC.**, Diamond Bar, CA (US)
- (**) Term: **14 Years**
- (21) Appl. No.: **29/524,863**
- (22) Filed: **Apr. 23, 2015**
- (51) **LOC (10) Cl.** **06-01**
- (52) **U.S. Cl.**
USPC **D6/349**
- (58) **Field of Classification Search**
USPC D6/334–335, 349–355, 358, 360,
D6/362–365, 370, 374, 381, 691, 691.1,
D6/691.4, 692, 693, 694, 694.2
CPC A47C 9/00; A47C 9/02; A47C 9/002;
A47C 9/007; A47C 9/025; A47C 9/10;
A47C 11/00; A47C 12/00; A47C 13/00;
A47C 16/02; A47C 5/02; A47C 5/04; A47C
5/043; A47C 7/00–7/006; A47C 7/02; A47B
3/00; A47B 3/02; A47B 3/04; A47B 3/12
See application file for complete search history.

- D668,882 S * 10/2012 Asner D6/349
- D703,451 S * 4/2014 Gelman D6/349
- D703,452 S * 4/2014 Gelman D6/349
- D717,053 S * 11/2014 Gelman D6/349

OTHER PUBLICATIONS

Oceanstar Solid Wood Spa Shower Bench with Storage Shelf. [online] Retrieved Mar. 4, 2016 from URL: <<http://www.overstock.com/Bedding-Bath/Oceanstar-Solid-Wood-Spa-Shower-Bench-with-Storage-Shelf/10486270/product.html?reset=ea3fe0bf>>.*
Teak Shower Bench with Removable Spa Bath Mat. [online] Retrieved Mar. 4, 2016 from URL: <<http://www.overstock.com/BeddingBath/TeakShowerBenchwithRemovableSpaBathMat/8394626/product.html>>.*
Deluxe Bamboo Shower Seat Bench with Storage Shelf. [online] Retrieved Mar. 4, 2016 from URL: <<http://www.wayfair.com/DeluxeBambooShowerSeatBenchwithStorageShelf.TTPBS1TTH1029.html>>.*
Redmon Company Genuine Teak Bench. [online] Retrieved Mar. 4, 2016 from URL: <<http://www.bellacor.com/productdetail/redmoncompany5323genuineteakbench712451.htm>>.*
“Creative Bath Bamboo Spa Bench,” Kohls, Apr. 20, 2015, three pages; http://www.kohls.com/product/prd-1013154/creative-bath-bamboo-spa-bench.jsp?ci_mcc= . . .

(Continued)

Primary Examiner — Vy Koenig

(57) **CLAIM**
The ornamental design for a bench, as shown and described.

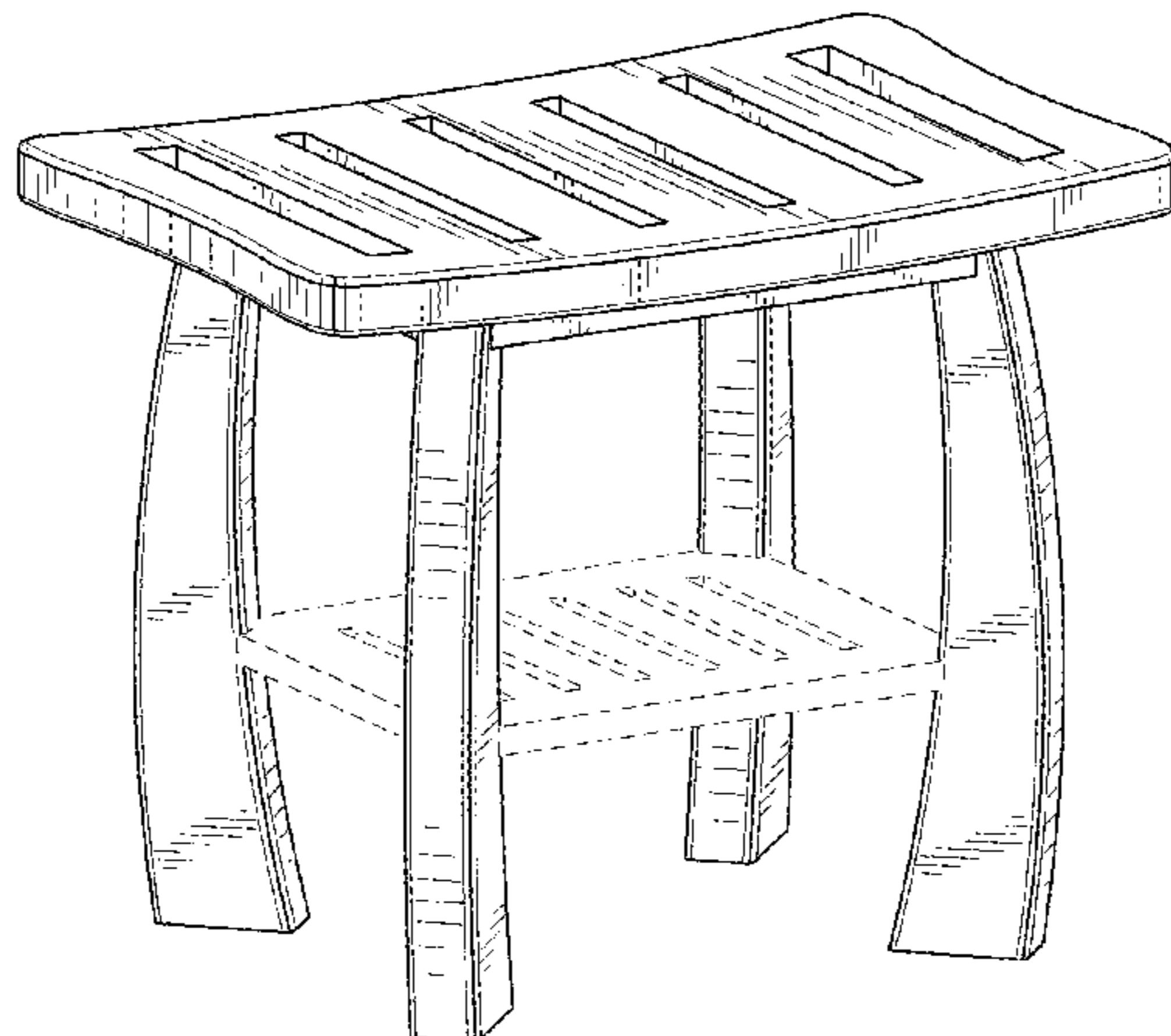
DESCRIPTION

FIG. 1 is a front perspective view of a bench;
FIG. 2 is a front elevation view thereof, the rear elevation view being an identical image thereof;
FIG. 3 is a left side elevation view thereof, the right side elevation view being an identical image thereof;
FIG. 4 is a top plan view thereof; and,
FIG. 5 is a bottom plan view thereof.
The broken lines shown in the drawings illustrate portions of the bench that form no part of the claimed design.

1 Claim, 3 Drawing Sheets

(56) **References Cited**
U.S. PATENT DOCUMENTS

- D133,624 S * 9/1942 Hollander D6/691.3
- D159,947 S * 9/1950 Bell D6/349
- D178,092 S * 6/1956 Van Koert D6/349
- D312,736 S * 12/1990 Grosfillex D6/349
- D456,644 S * 5/2002 Weaver D6/691.3
- D463,164 S * 9/2002 Davis D6/691
- D504,578 S * 5/2005 Moser D6/349
- D646,912 S * 10/2011 Van Rijn D6/691



(56)

References Cited

OTHER PUBLICATIONS

“Authenteak 30 inch Rectangular Teak Spa Bench with Shelf—Rest Easy,” authenTEAK Outdoor Living, Apr. 20, 2015, one page; <http://www.authenteak.com/authenteak-30-rectangular-teak-spa-bench-w-shelf-natural.html>.

“Give Your Bath a Luxury Spa Feel with a Teak Shower Bench and Floor Mat,” Teak Patio Furniture World, Apr. 20, 2015, six pages; [http://teakpatiofurnitureworld.com/give-your-bath-a-luxury-spa-feel-with-a-teak-shower-b . . .](http://teakpatiofurnitureworld.com/give-your-bath-a-luxury-spa-feel-with-a-teak-shower-b...)

* cited by examiner

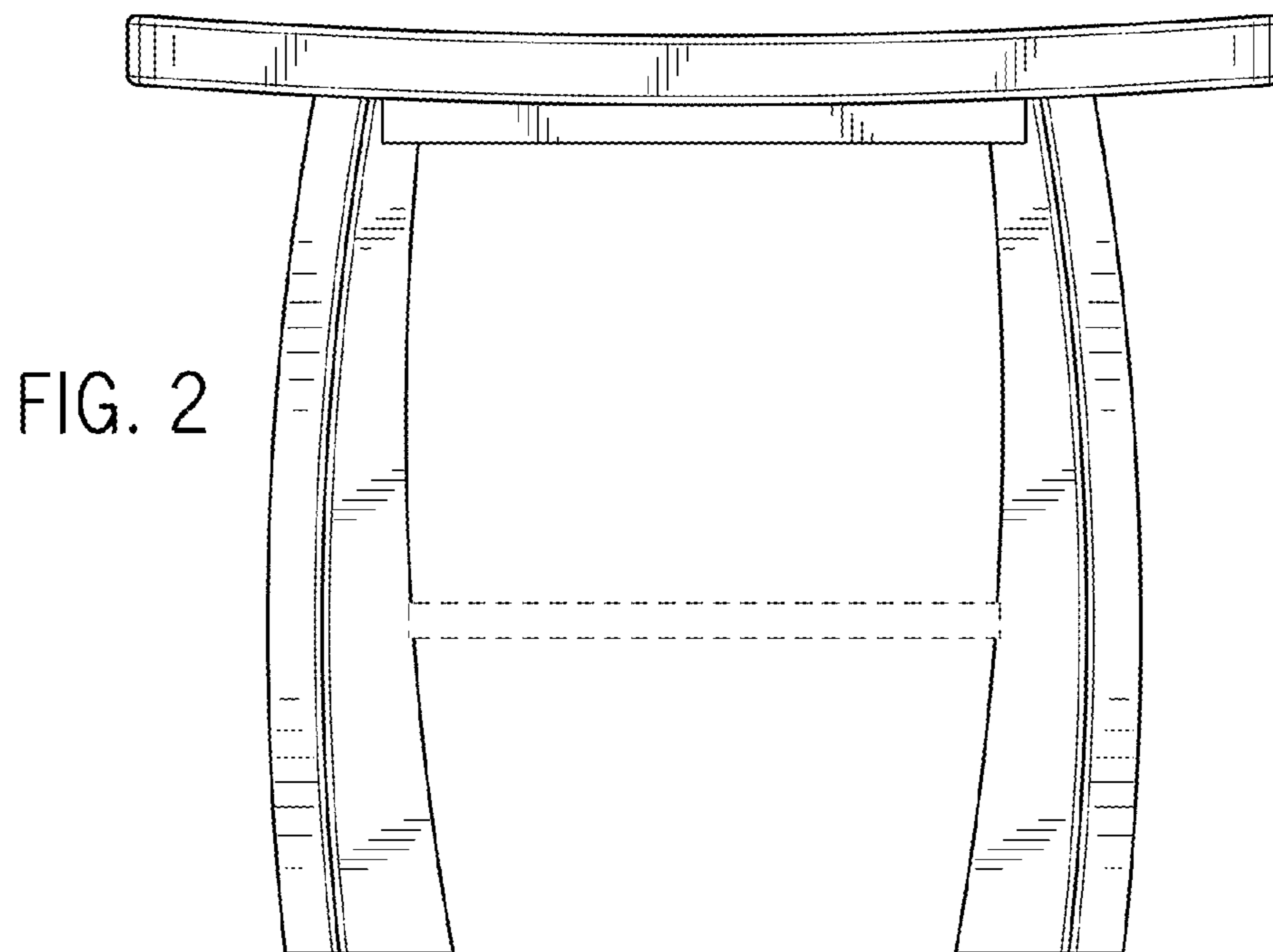
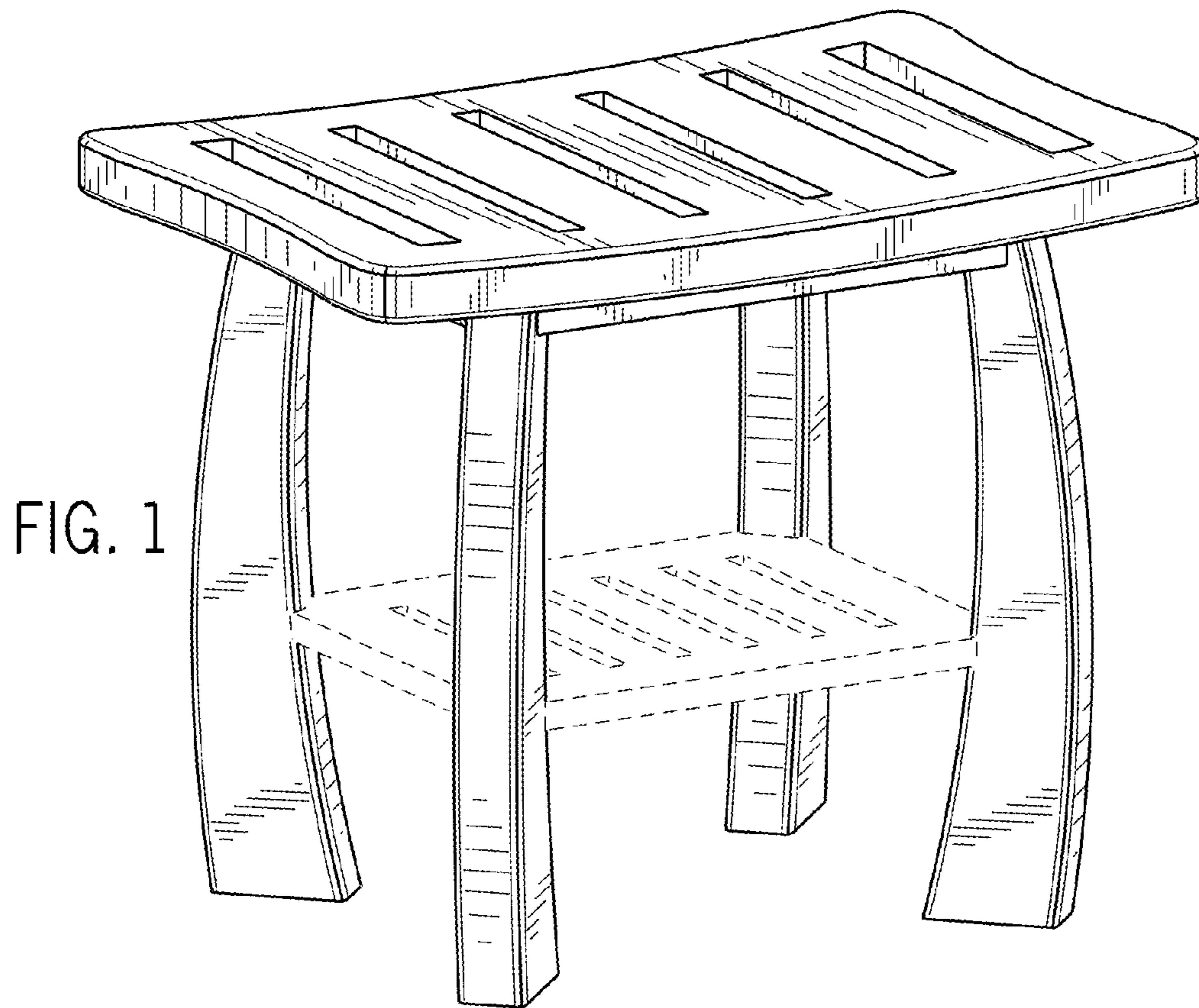


FIG. 3

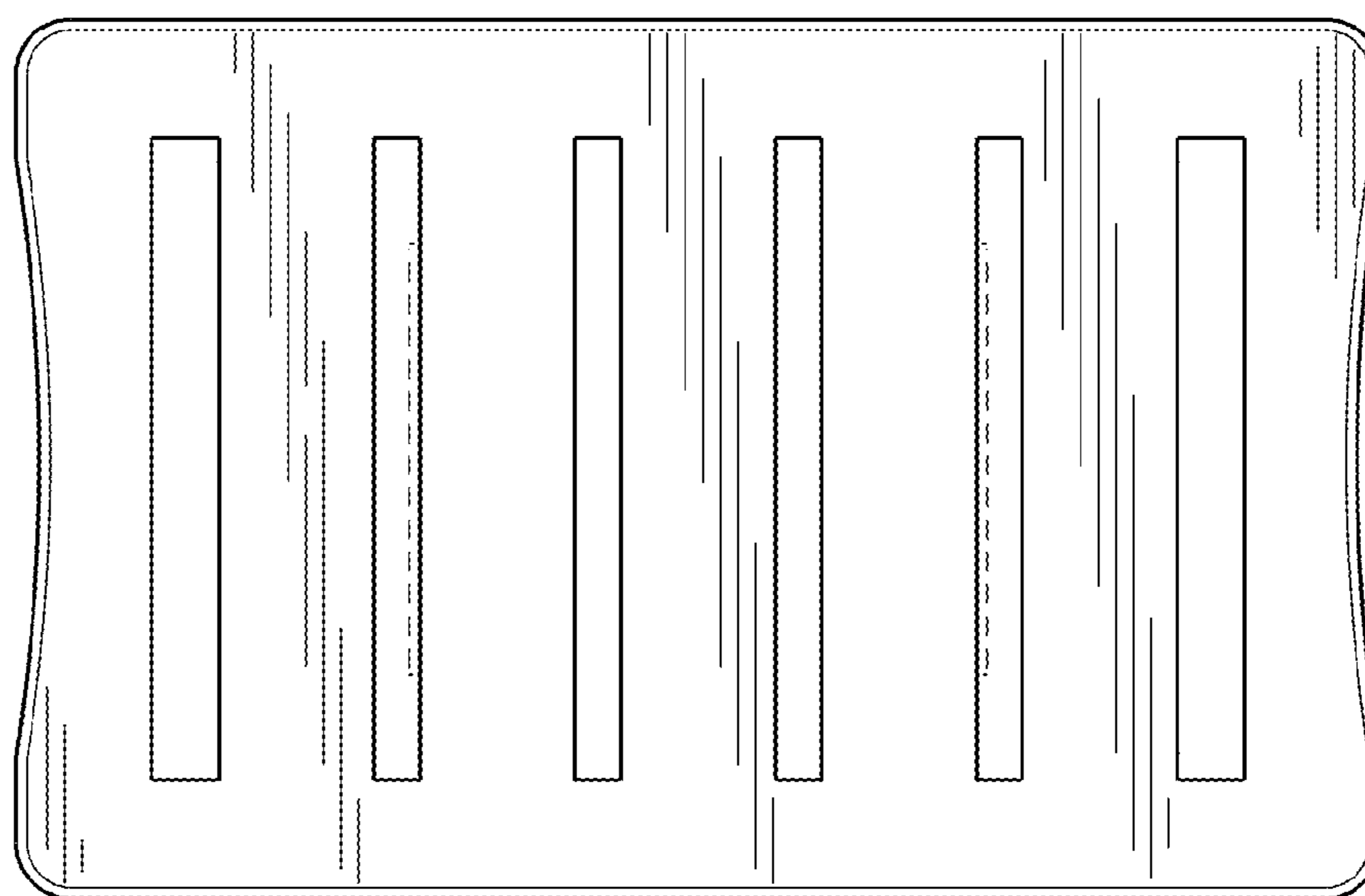
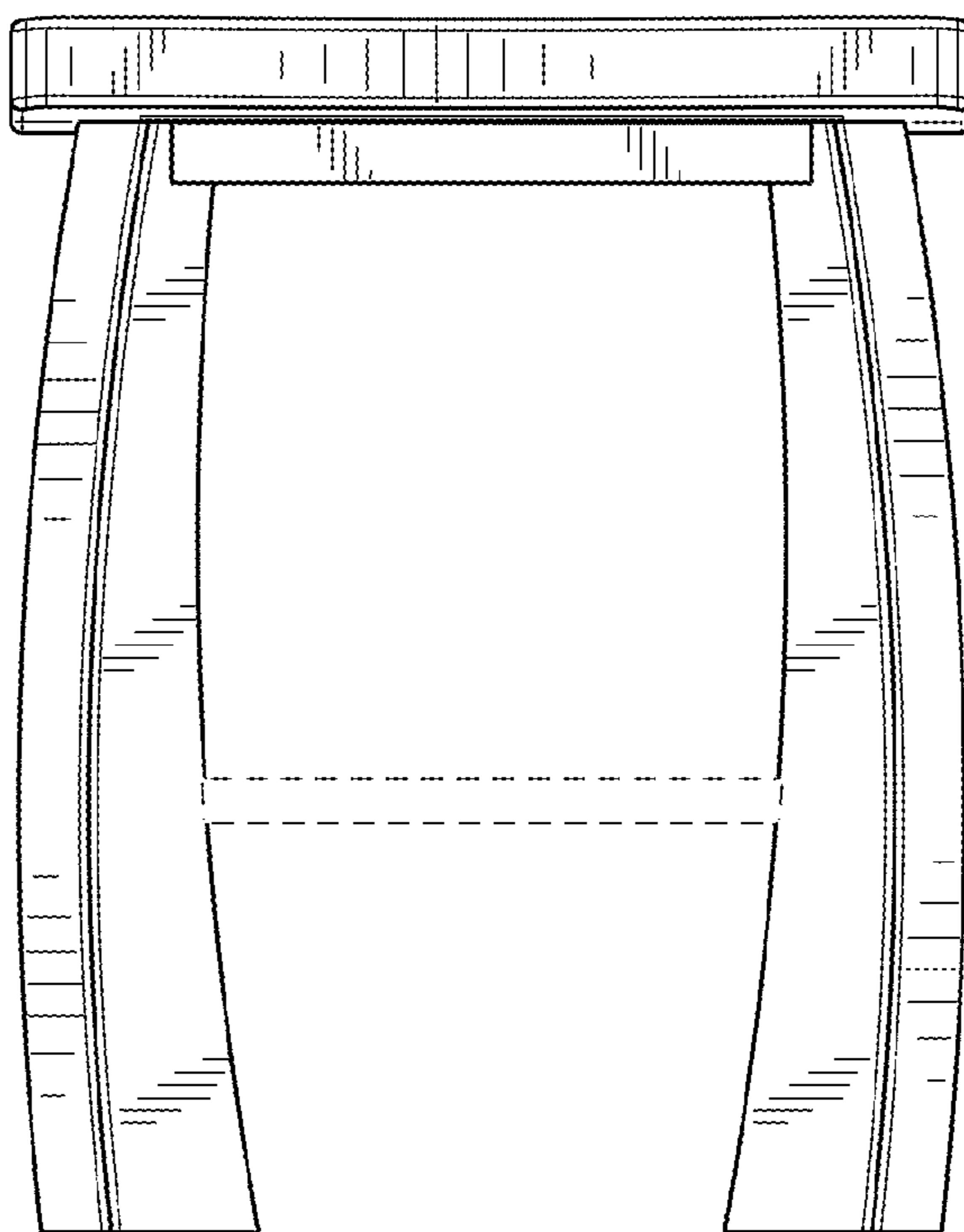


FIG. 4

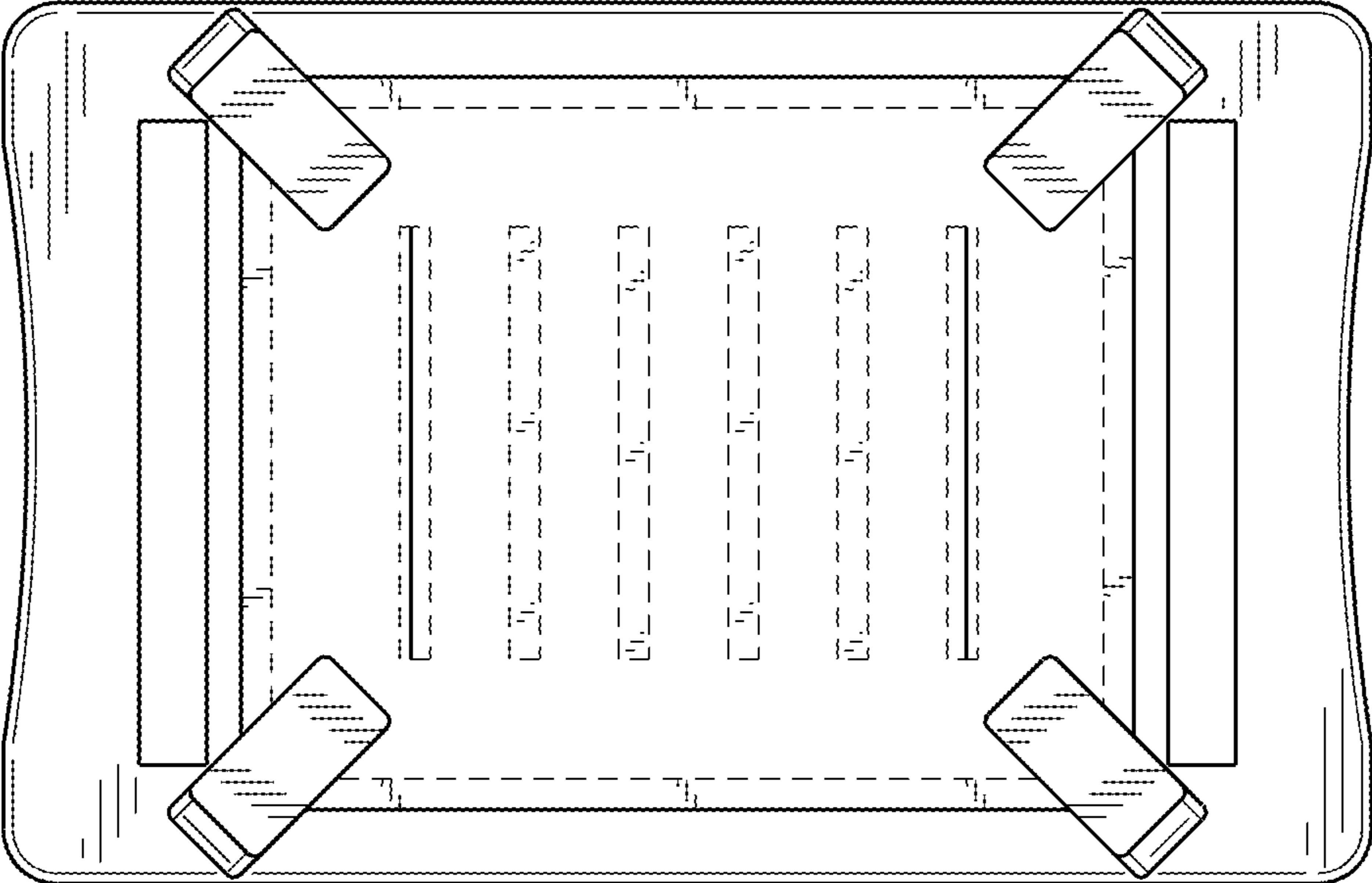


FIG. 5