



US00D764189S

(12) **United States Design Patent**  
**Edwards et al.**

(10) **Patent No.:** **US D764,189 S**

(45) **Date of Patent:** **\*\* Aug. 23, 2016**

(54) **INFLATABLE TOILET FOOTREST**

(71) Applicants: **Robert W Edwards**, St. George, UT  
(US); **Judy M Edwards**, St. George, UT  
(US)

(72) Inventors: **Robert W Edwards**, St. George, UT  
(US); **Judy M Edwards**, St. George, UT  
(US)

(\*\*) Term: **14 Years**

(21) Appl. No.: **29/521,273**

(22) Filed: **Mar. 21, 2015**

(51) **LOC (10) Cl.** ..... **06-01**

(52) **U.S. Cl.**  
USPC ..... **D6/349; D6/604**

(58) **Field of Classification Search**  
USPC ..... D6/334–335, 349–355, 358, 360,  
D6/362–365, 370, 374, 381, 601, 604, 691,  
D6/691.1, 691.4, 692, 693, 694, 694.2;  
D23/309

CPC ..... A47C 9/00; A47C 9/02; A47C 9/002;  
A47C 9/007; A47C 9/025; A47C 9/10;  
A47C 11/00; A47C 12/00; A47C 13/00;  
A47C 16/02; A47C 5/02; A47C 5/04; A47C  
5/043; A47C 7/00–7/006; A47C 7/02; A47B  
3/00; A47B 3/02; A47B 3/04; A47B 3/12  
See application file for complete search history.

(56) **References Cited**

**U.S. PATENT DOCUMENTS**

D268,796 S \* 5/1983 Kola ..... D6/349  
D300,884 S \* 5/1989 Friedman ..... D6/349

D364,302 S \* 11/1995 Cloud ..... D6/406.5  
D386,571 S \* 11/1997 Wilhelm ..... D23/309  
D396,980 S \* 8/1998 Novros ..... D6/601  
D398,678 S \* 9/1998 Terry ..... D23/309  
D416,745 S \* 11/1999 Noyes ..... D6/601  
D508,556 S \* 8/2005 Palazzolo ..... D23/309  
D509,289 S \* 9/2005 Palazzolo ..... D23/309  
D637,439 S \* 5/2011 Mettler ..... D6/601  
D677,507 S \* 3/2013 Rocha ..... D6/601  
D738,136 S \* 9/2015 Goldblatt ..... D6/601

**OTHER PUBLICATIONS**

Porta-Squatty. [online] Retrieved Mar. 4, 2016 from URL: <http://www.squattypotty.com/shop/product/porta-squatty/>.\*

\* cited by examiner

*Primary Examiner* — Vy Koenig

(74) *Attorney, Agent, or Firm* — Gurr & Brande, PLLC;  
Robert A. Gurr

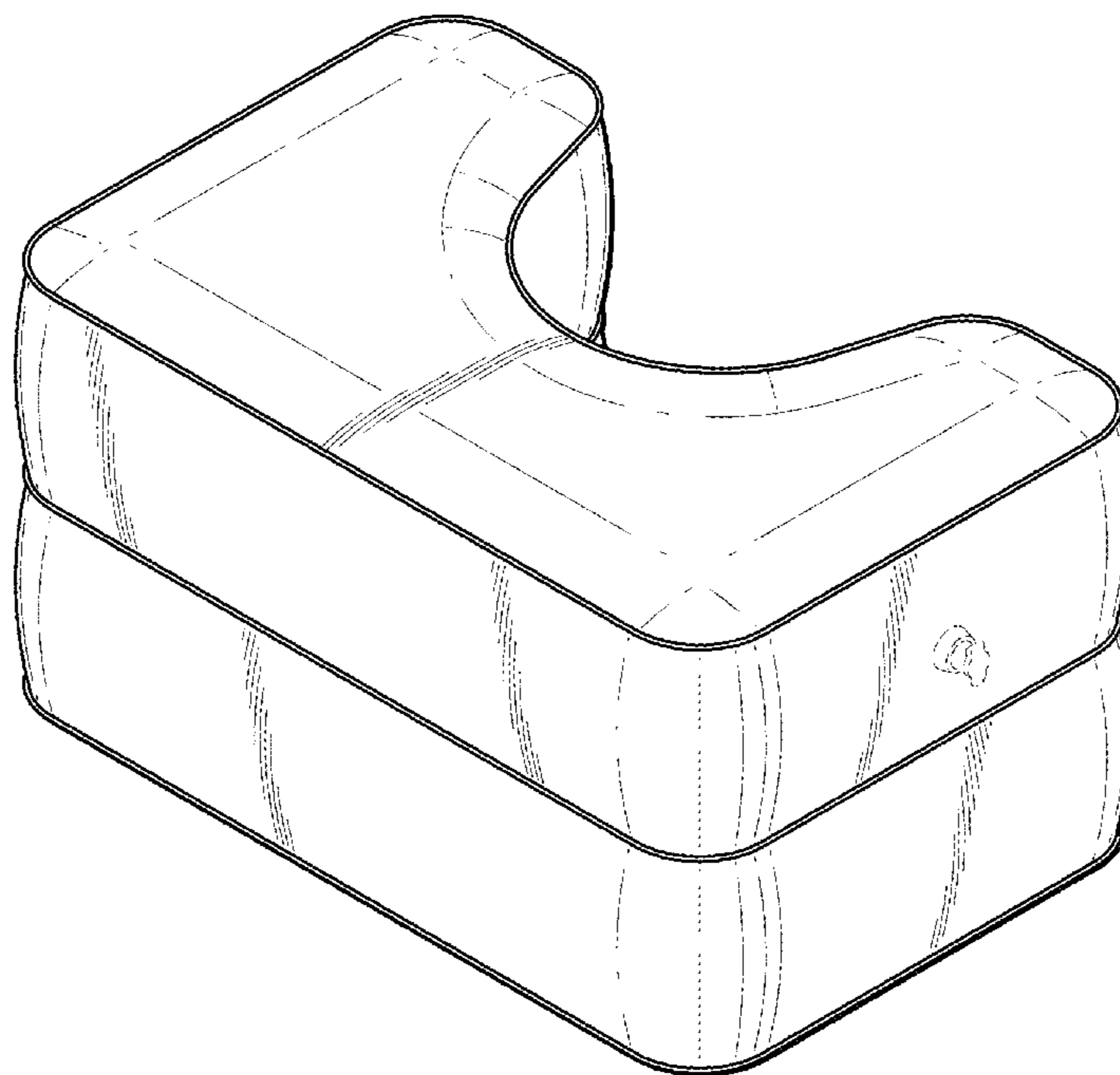
(57) **CLAIM**

The ornamental design for an inflatable toilet footrest, as shown and described.

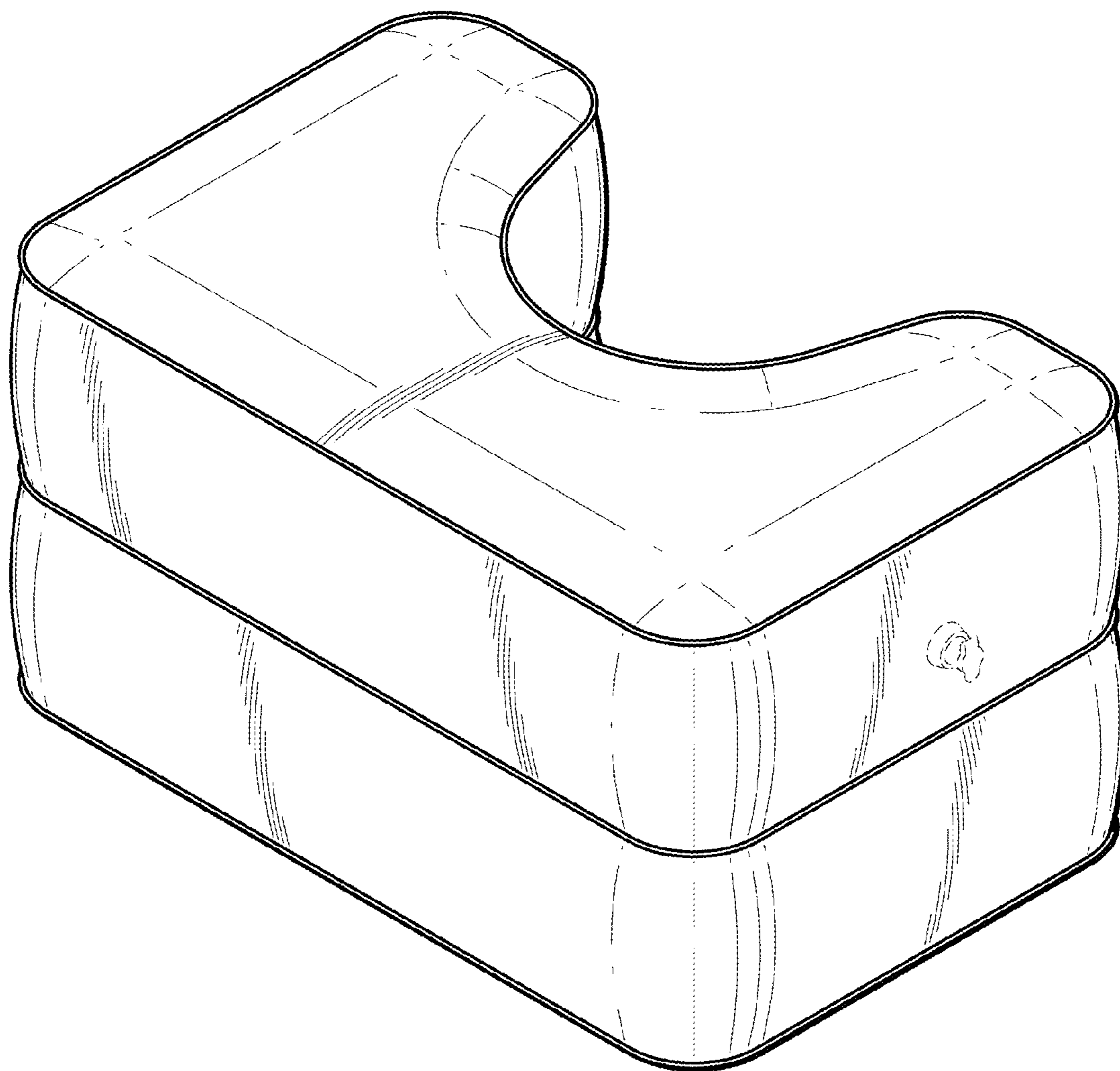
**DESCRIPTION**

FIG. 1 is a perspective view of the inflatable toilet footrest; FIG. 2 is a top plan view of the inflatable toilet footrest; FIG. 3 is a back elevation view of the inflatable toilet footrest; FIG. 4 is a front elevation view of the inflatable toilet footrest; FIG. 5 is a right side elevation view of the inflatable toilet footrest; and, FIG. 6 is a bottom plan view of the inflatable toilet footrest. The broken lines in the drawings depict portions of the inflatable toilet footrest that forms no part of the claimed design.

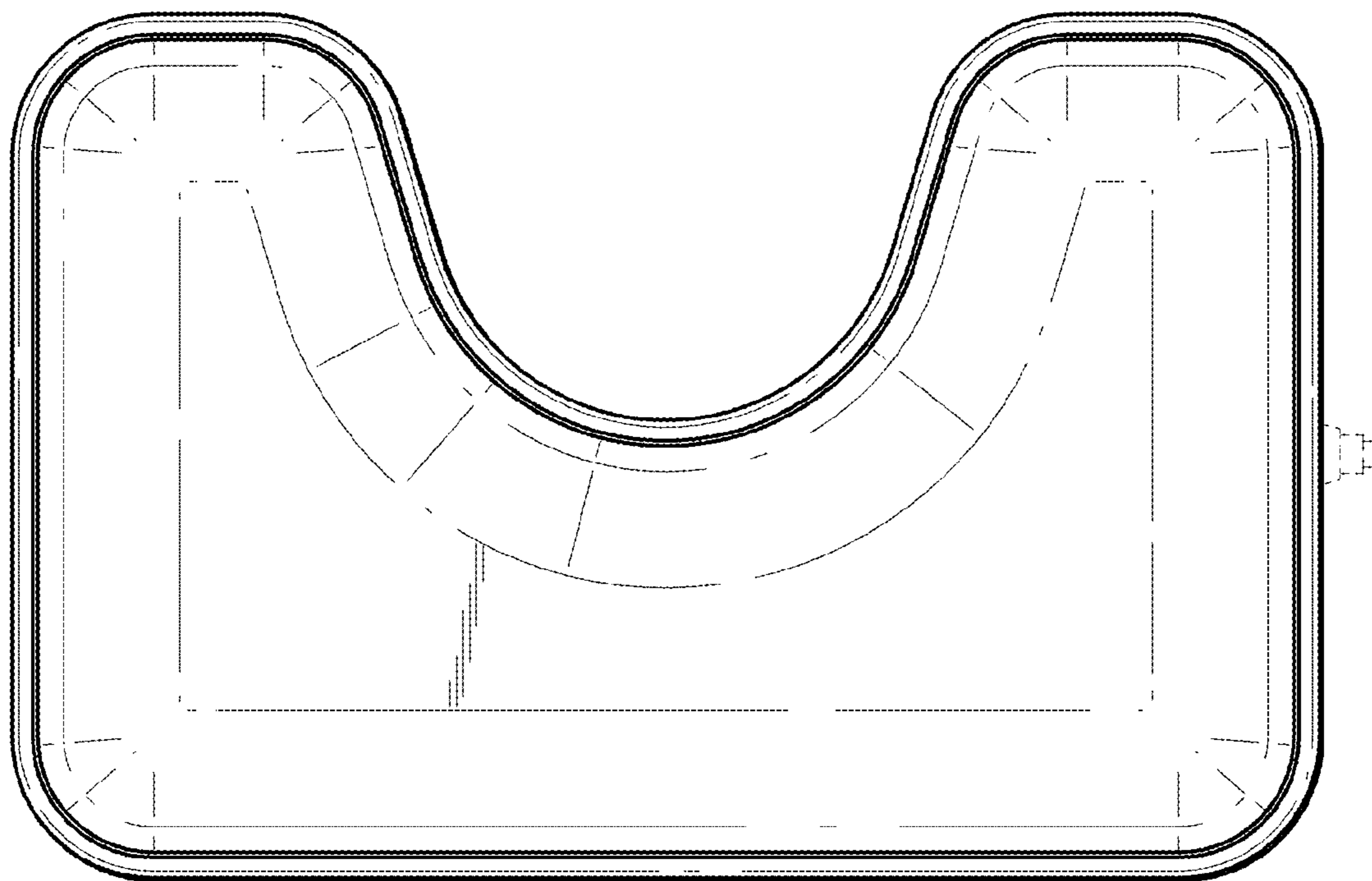
**1 Claim, 4 Drawing Sheets**



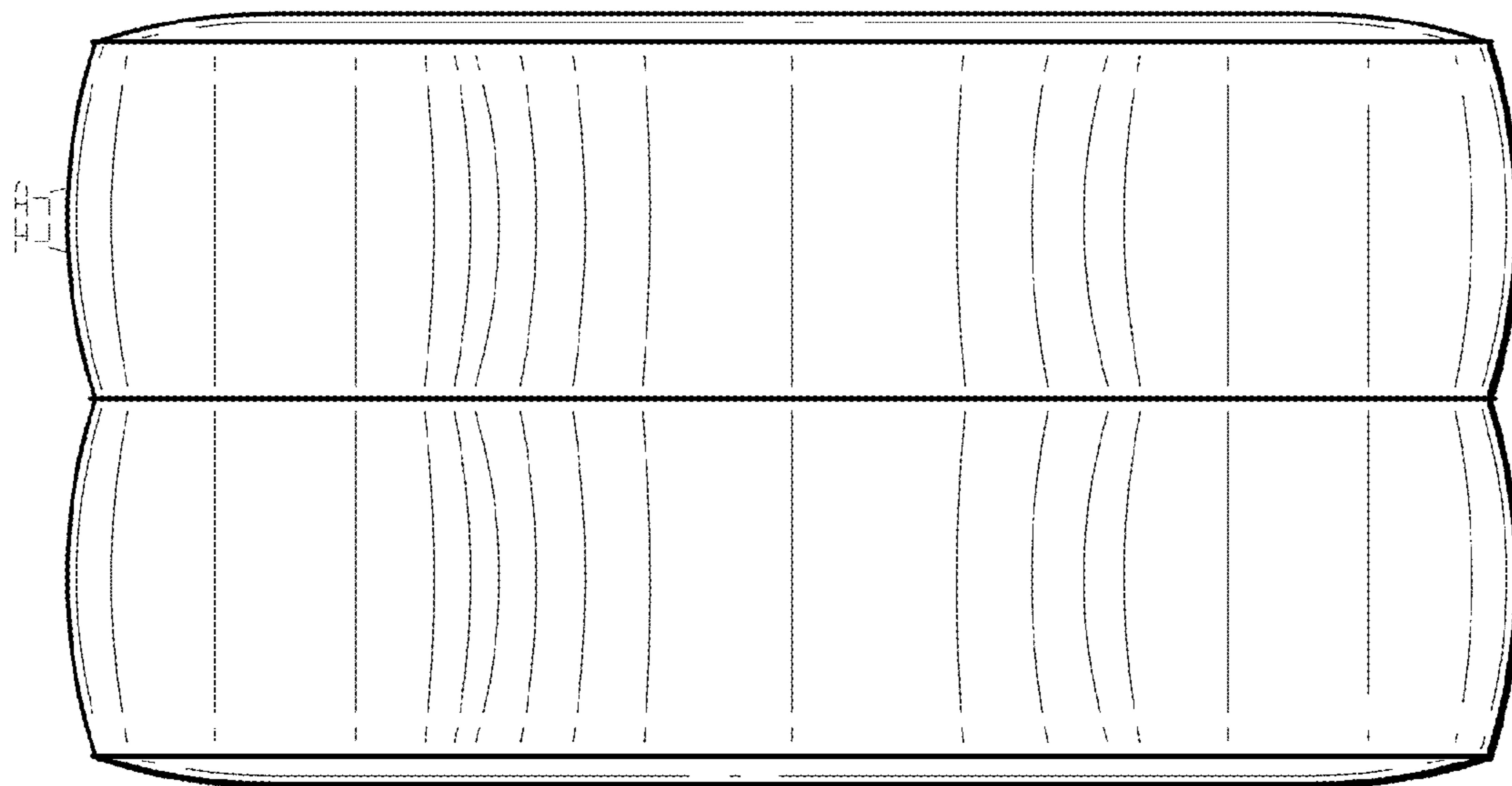
*FIG. 1*



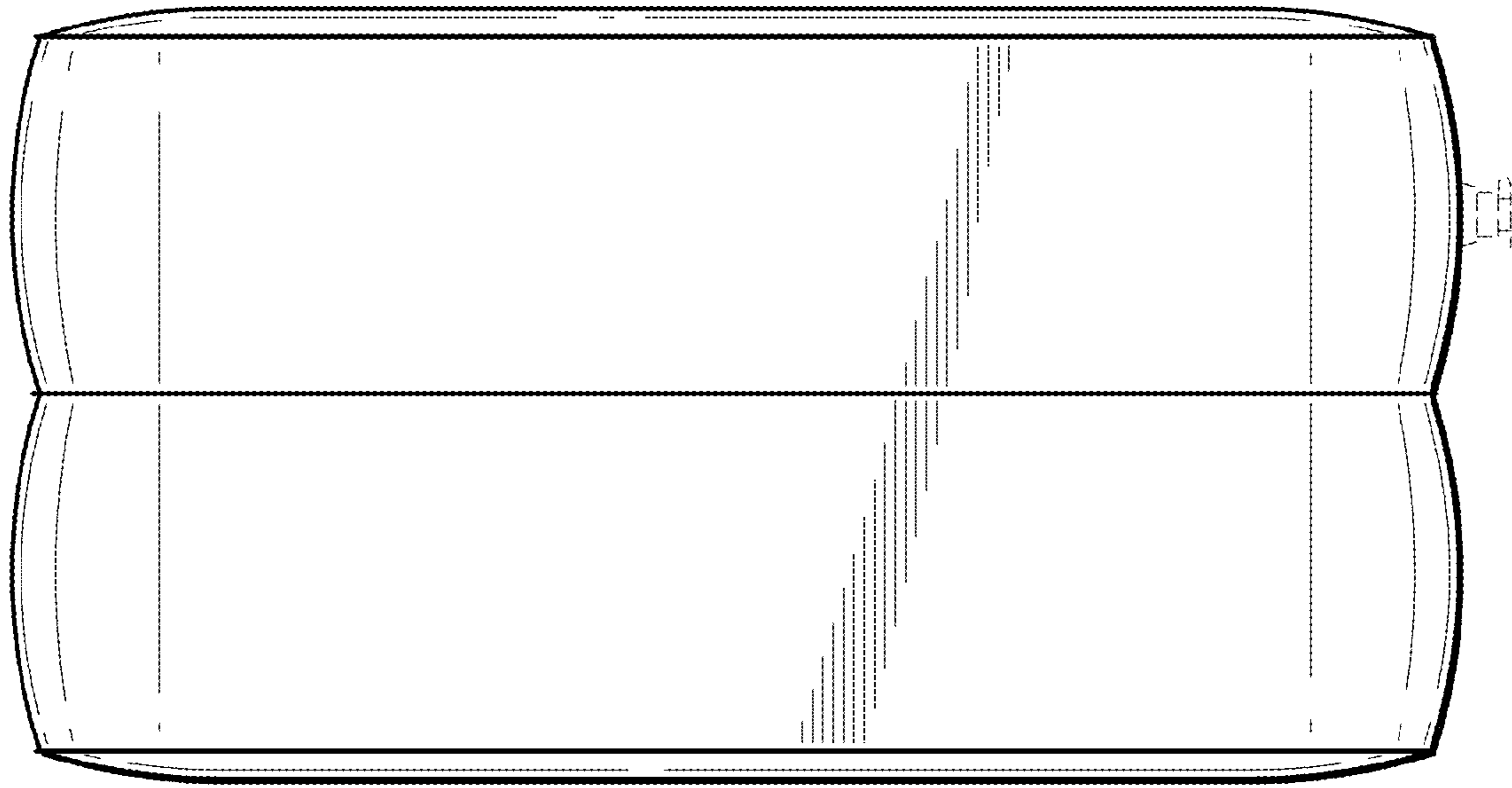
**FIG. 2**



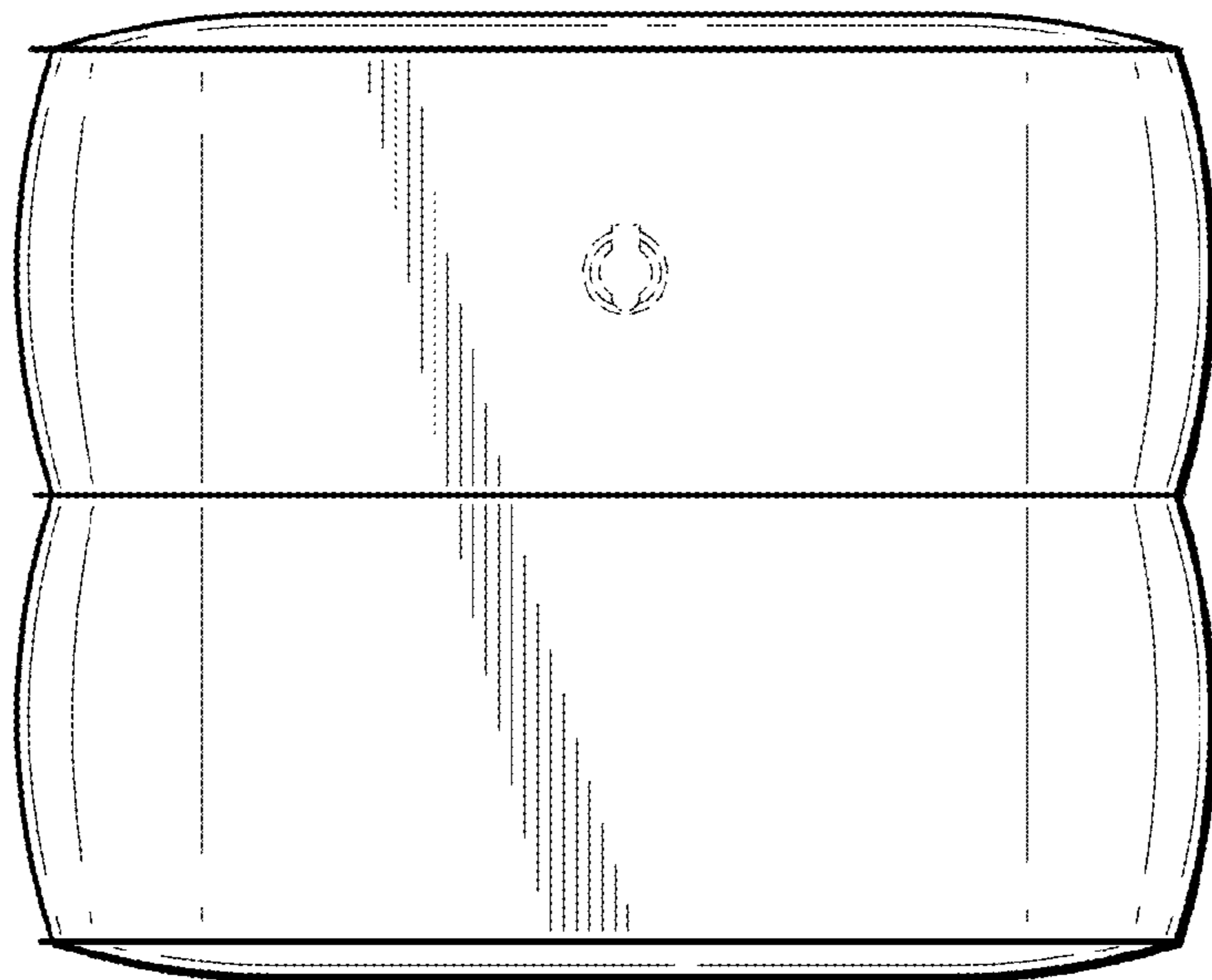
**FIG. 3**



**FIG. 4**



**FIG. 5**



**FIG. 6**

