



US00D764185S

(12) **United States Design Patent**
Washington

(10) **Patent No.:** **US D764,185 S**

(45) **Date of Patent:** **** Aug. 23, 2016**

(54) **CLOTHES HANGER**

(71) Applicant: **Suzanne Washington**, Egg Harbor City,
NJ (US)

(72) Inventor: **Suzanne Washington**, Egg Harbor City,
NJ (US)

(**) Term: **14 Years**

(21) Appl. No.: **29/524,279**

(22) Filed: **Apr. 19, 2015**

(51) **LOC (10) Cl.** **06-08**

(52) **U.S. Cl.**
USPC **D6/319**

(58) **Field of Classification Search**
USPC D6/315-328; 223/85-98; 211/10, 13.1,
211/85.3, 86.01, 87.01, 113
CPC A47G 25/14; A47G 25/28; A47G 25/26;
A47G 25/30; A47G 25/36; A47G 25/50;
A47G 25/442; A47G 25/483; A47G 25/743;
A47G 25/4023; A47F 5/0006
See application file for complete search history.

(56) **References Cited**

U.S. PATENT DOCUMENTS

D104,301 S * 4/1937 Woods 223/88
2,827,211 A * 3/1958 Bradley A47G 25/20
223/89
D211,221 S * 5/1968 Najarian D6/315
D229,002 S * 11/1973 Brannon D6/316

3,862,687 A * 1/1975 Pirman B65D 73/0071
206/289
D383,614 S * 9/1997 Colby D6/315
D387,911 S * 12/1997 Albert D6/317
6,776,463 B2 * 8/2004 Simon A45C 11/16
206/6.1
D737,583 S * 9/2015 Li D6/319
2002/0033403 A1 * 3/2002 Bennett A47F 7/12
223/87
2006/0213937 A1 * 9/2006 Fife A47G 11/006
223/85
2010/0012689 A1 * 1/2010 Guffey D06F 73/00
223/72

* cited by examiner

Primary Examiner — Derrick Holland

Assistant Examiner — Lauren Calve

(74) *Attorney, Agent, or Firm* — Gulf Coast Intellectual
Property Group

(57) **CLAIM**

The ornamental design for the clothes hanger, as shown and
described.

DESCRIPTION

FIG. 1 is a front perspective view of a clothes hanger of the
present invention shown in environmental use;

FIG. 2 is a front view thereof;

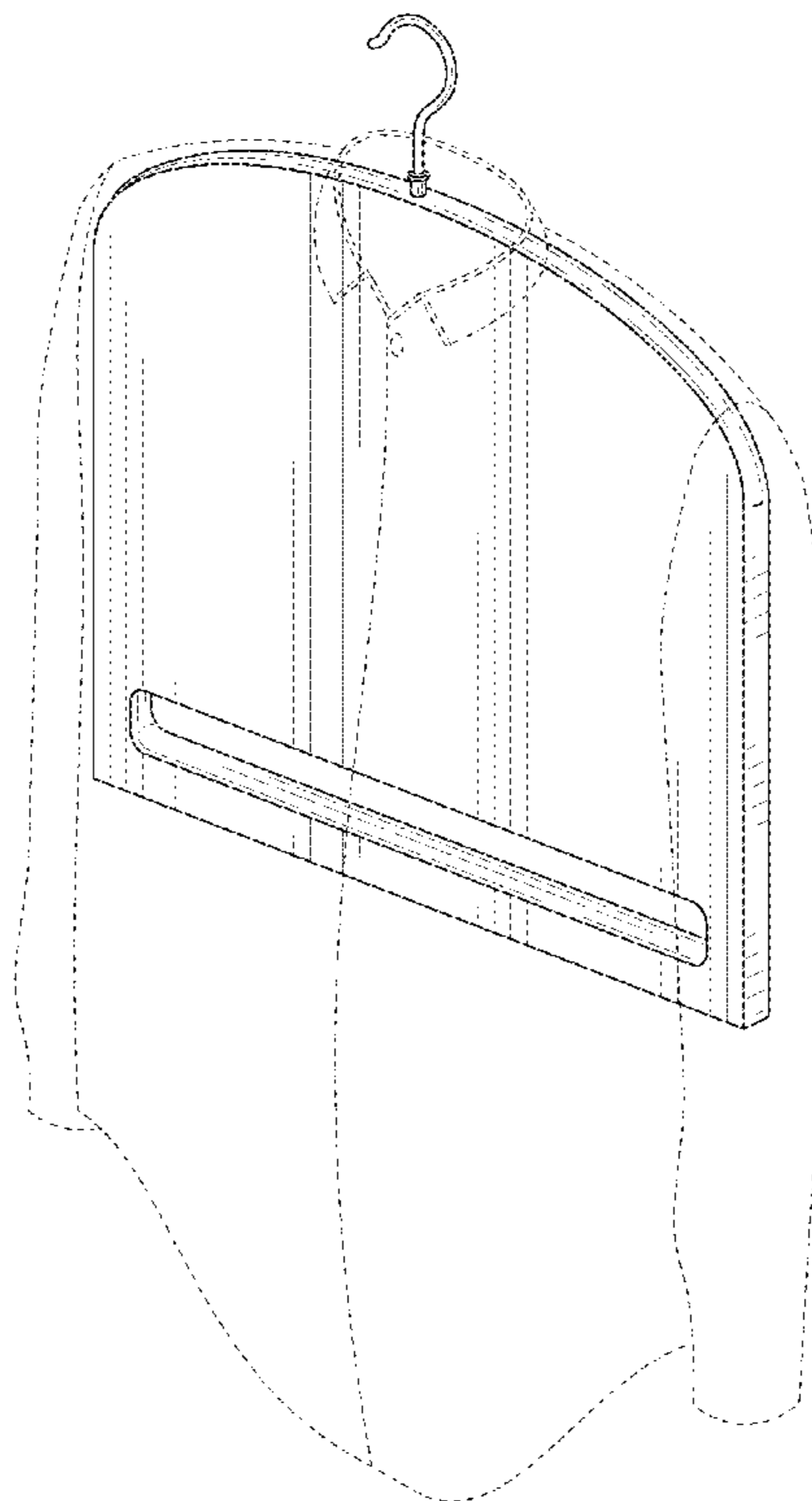
FIG. 3 is a rear view thereof;

FIG. 4 is a left side view thereof; and,

FIG. 5 is a right side view thereof.

The broken lines shown represent unclaimed subject matter
and form no part of the claimed design.

1 Claim, 3 Drawing Sheets



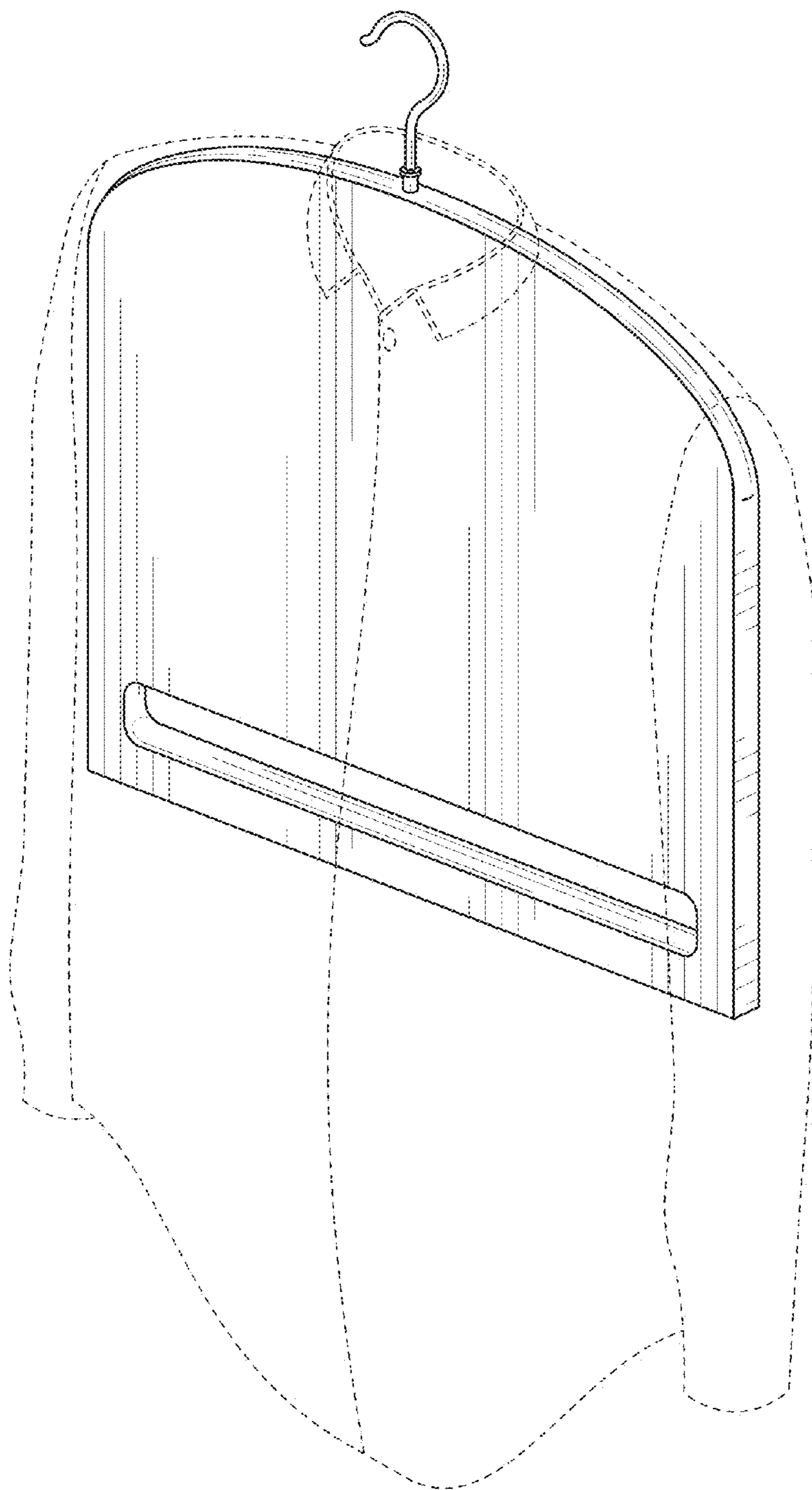


FIG. 1

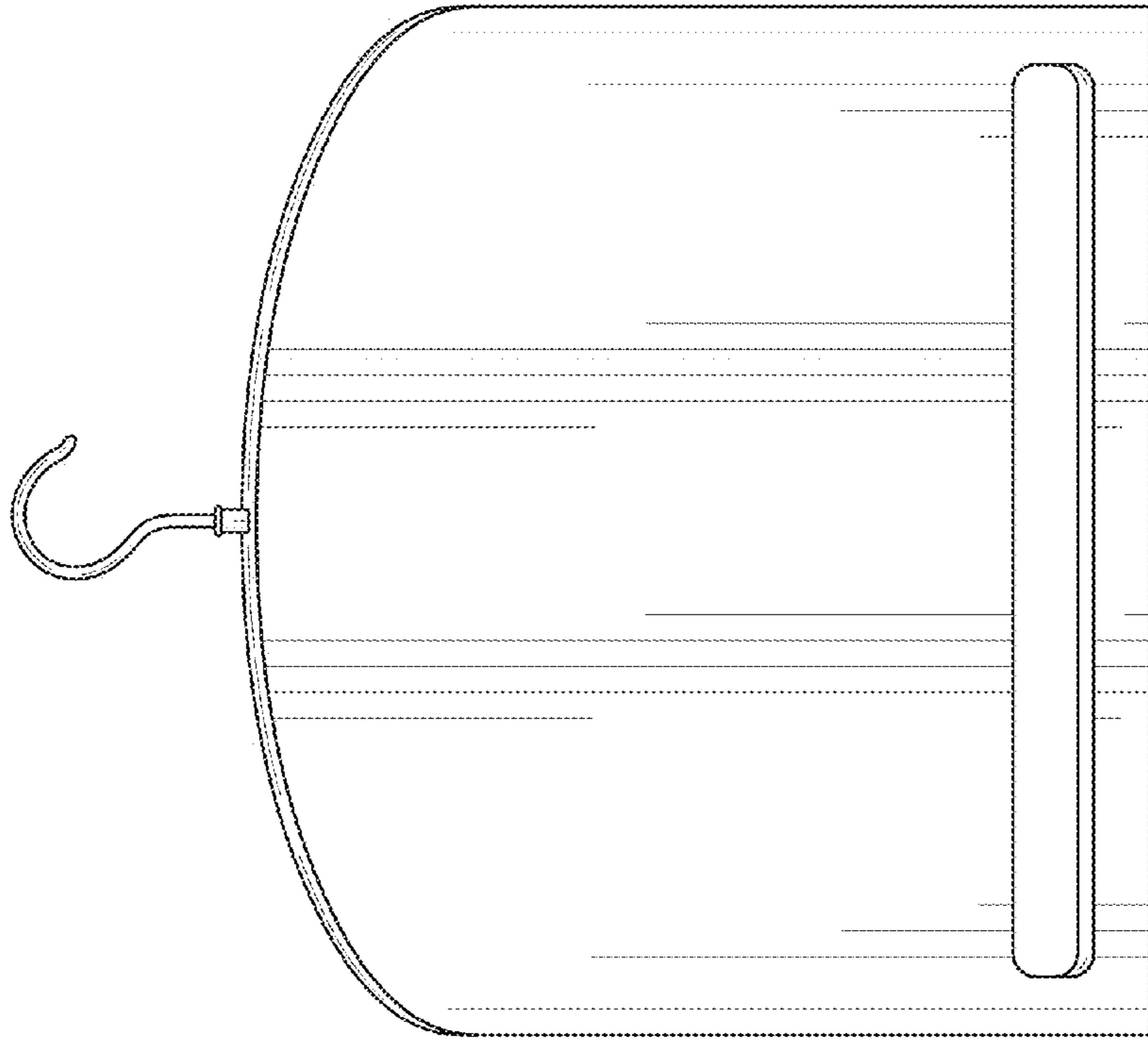


FIG. 3

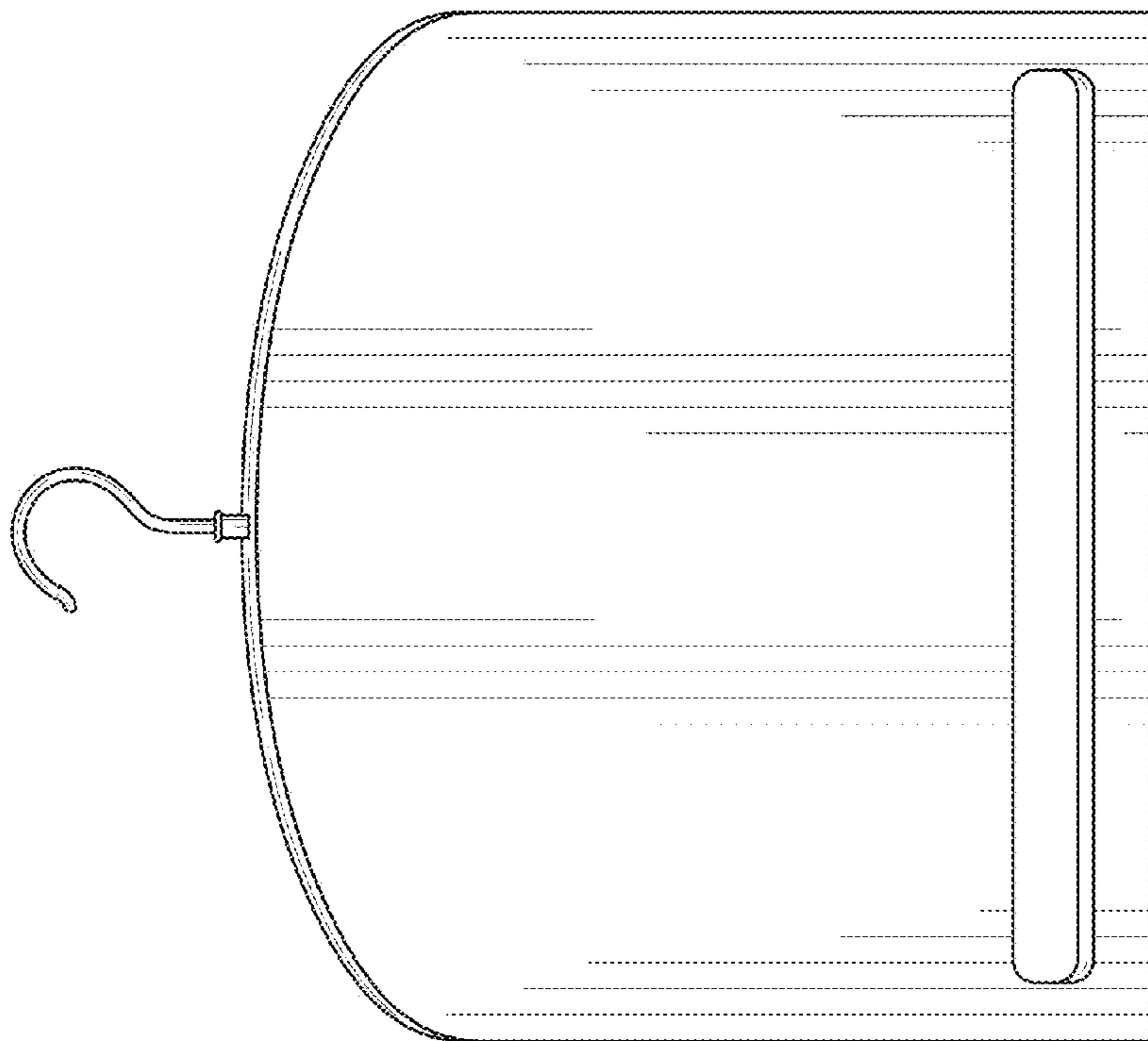


FIG. 2



FIG. 4



FIG. 5