



US00D764178S

(12) **United States Design Patent**  
**Taylor, Jr.**

(10) **Patent No.:** **US D764,178 S**  
(45) **Date of Patent:** **\*\* Aug. 23, 2016**

- (54) **GRILL CLEANING HEAD**
- (71) Applicant: **Bruce Martin Taylor, Jr.**, Trinidad, CA (US)
- (72) Inventor: **Bruce Martin Taylor, Jr.**, Trinidad, CA (US)
- (\*\*) Term: **15 Years**
- (21) Appl. No.: **29/558,443**
- (22) Filed: **Mar. 17, 2016**
- (51) **LOC (10) Cl.** ..... **04-01**
- (52) **U.S. Cl.**  
USPC ..... **D4/118**
- (58) **Field of Classification Search**  
USPC ..... D4/104–118, 121, 127–133, 135, 138, D4/199; D32/15, 19, 35, 40, 42, 46, 48, D32/49, 51; D8/10, 11, 90, 94; D15/18  
CPC ..... A46B 15/0081; A46B 15/0055; A46B 5/026; A46B 5/005; A47L 13/022; A47L 13/08; A47L 13/06  
See application file for complete search history.

8,763,193 B1 \* 7/2014 Thompson ..... A46B 15/0055  
15/106  
9,125,480 B2 9/2015 Guido  
D748,399 S \* 2/2016 Lu ..... D4/118  
2002/0178523 A1 \* 12/2002 Kahler ..... A46B 9/06  
15/111  
2005/0086755 A1 \* 4/2005 Dalias ..... A46B 9/028  
15/111  
2005/0178405 A1 8/2005 Coulthard, Jr.  
2006/0207042 A1 9/2006 Di Paolo  
2007/0231054 A1 \* 10/2007 Wales ..... A46B 5/0008  
401/280  
2008/0178404 A1 \* 7/2008 Wales ..... A46B 11/0013  
15/106  
2014/0196232 A1 7/2014 Guido

\* cited by examiner

*Primary Examiner* — Michael A. Pratt  
*Assistant Examiner* — Michelle E Wilson  
 (74) *Attorney, Agent, or Firm* — Michael J. Sullivan

(57) **CLAIM**  
 The ornamental design for a grill cleaning head, as shown and described.

**DESCRIPTION**

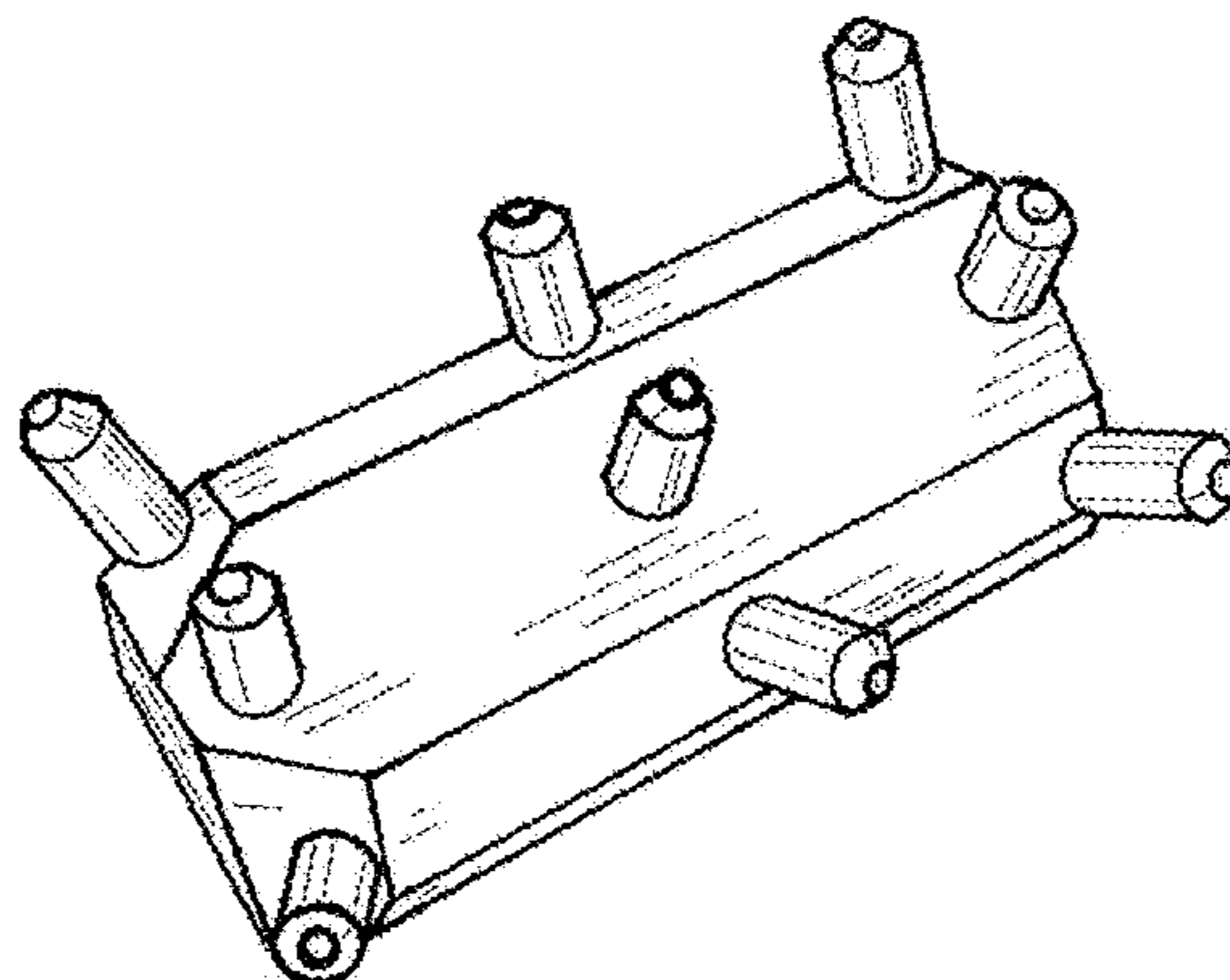
FIG. 1 is a perspective view of the grill cleaning head;  
 FIG. 2 is a perspective view from a different angle of the grill cleaning head;  
 FIG. 3 is a front view thereof;  
 FIG. 4 is a back view thereof;  
 FIG. 5 is a top view thereof;  
 FIG. 6 is a bottom view thereof;  
 FIG. 7 is a left side view thereof;  
 FIG. 8 is a right side view thereof;  
 FIG. 9 is a perspective view of the grill cleaning head attached to a handle and of a crumpled piece of foil that is ready for placement on the grill cleaning head; and,  
 FIG. 10 is a perspective view of the grill cleaning head holding a crumpled piece of foil and attached to a handle.  
 The broken lines showing of the crumpled piece of foil and handle in FIGS. 9 and 10 illustrate environment and does not form a part of the claimed design.

**1 Claim, 9 Drawing Sheets**

(56) **References Cited**

U.S. PATENT DOCUMENTS

D226,045	S	*	1/1973	Yran	.....	D24/211
D281,742	S	*	12/1985	Pagnini	.....	D2/642
D282,689	S	*	2/1986	McCormick	.....	D28/91.2
D293,164	S	*	12/1987	Shearer	.....	15/105
6,023,810	A		2/2000	Gessert		
6,061,862	A	*	5/2000	Whitaker	.....	A21B 3/16 15/111
D441,536	S	*	5/2001	Jackson-MacDonald	.....	D4/118
6,966,094	B1		11/2005	Rigakos		
D520,312	S		5/2006	Roma et al.		
7,039,983	B1		5/2006	Outlaw		
7,047,590	B2		5/2006	Neal et al.		
D530,098	S	*	10/2006	Neal	.....	D4/118
D609,916	S	*	2/2010	Benson	.....	D32/35
D646,898	S	*	10/2011	Raven	.....	D4/118
8,032,974	B2		10/2011	Carpenter		
8,615,838	B1	*	12/2013	Lu	.....	A47L 13/12 15/111



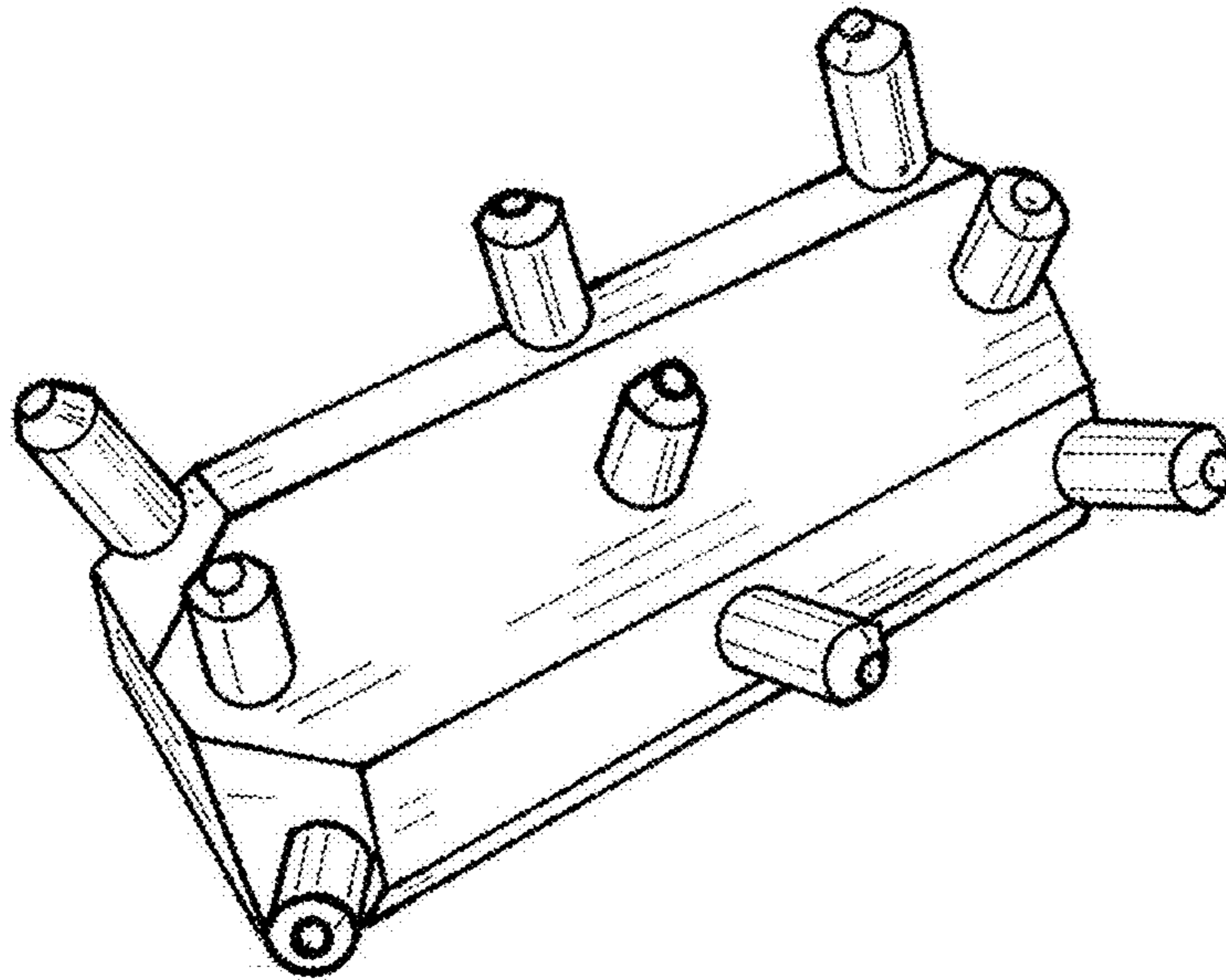


FIG. 1

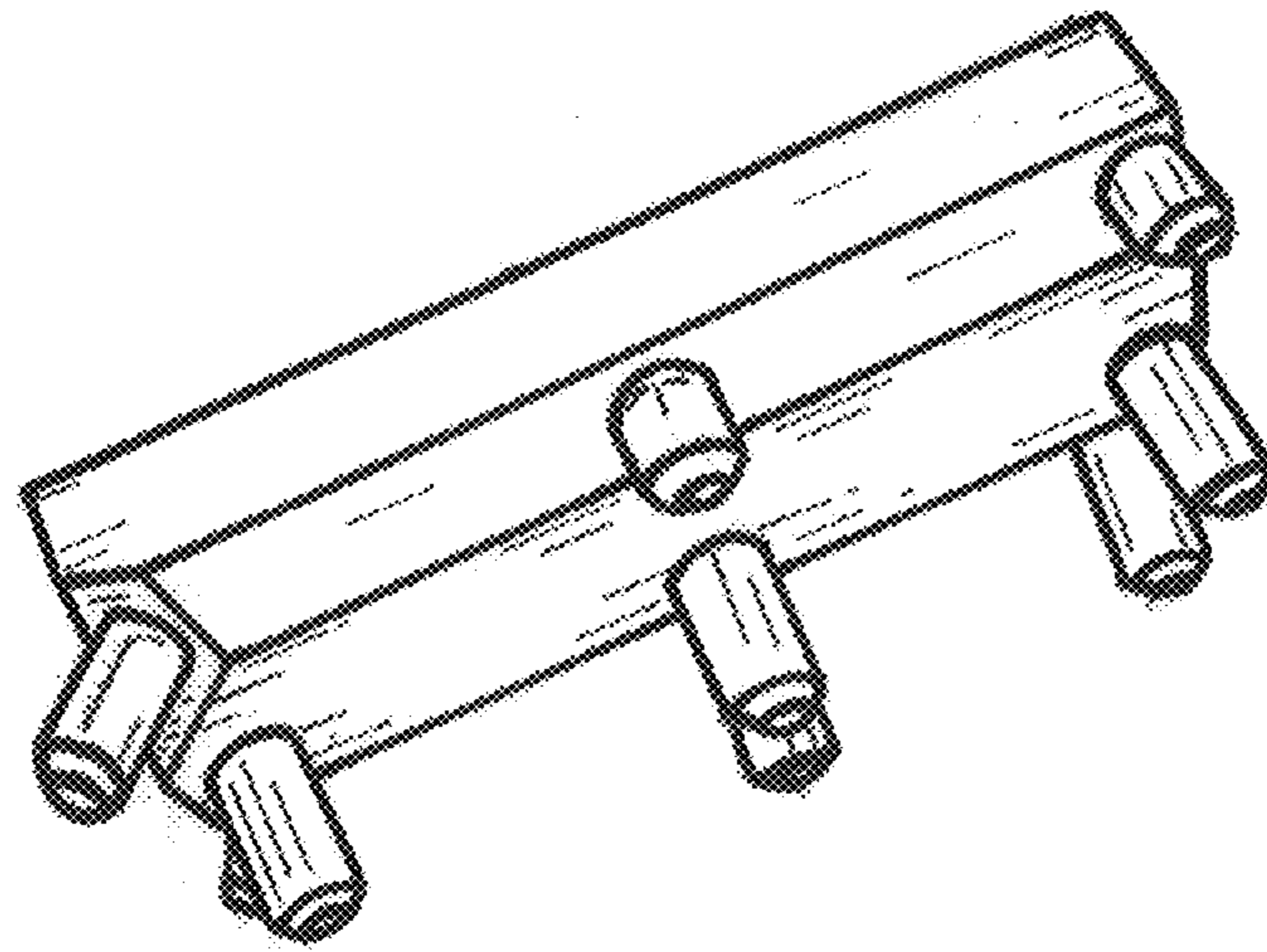


FIG. 2

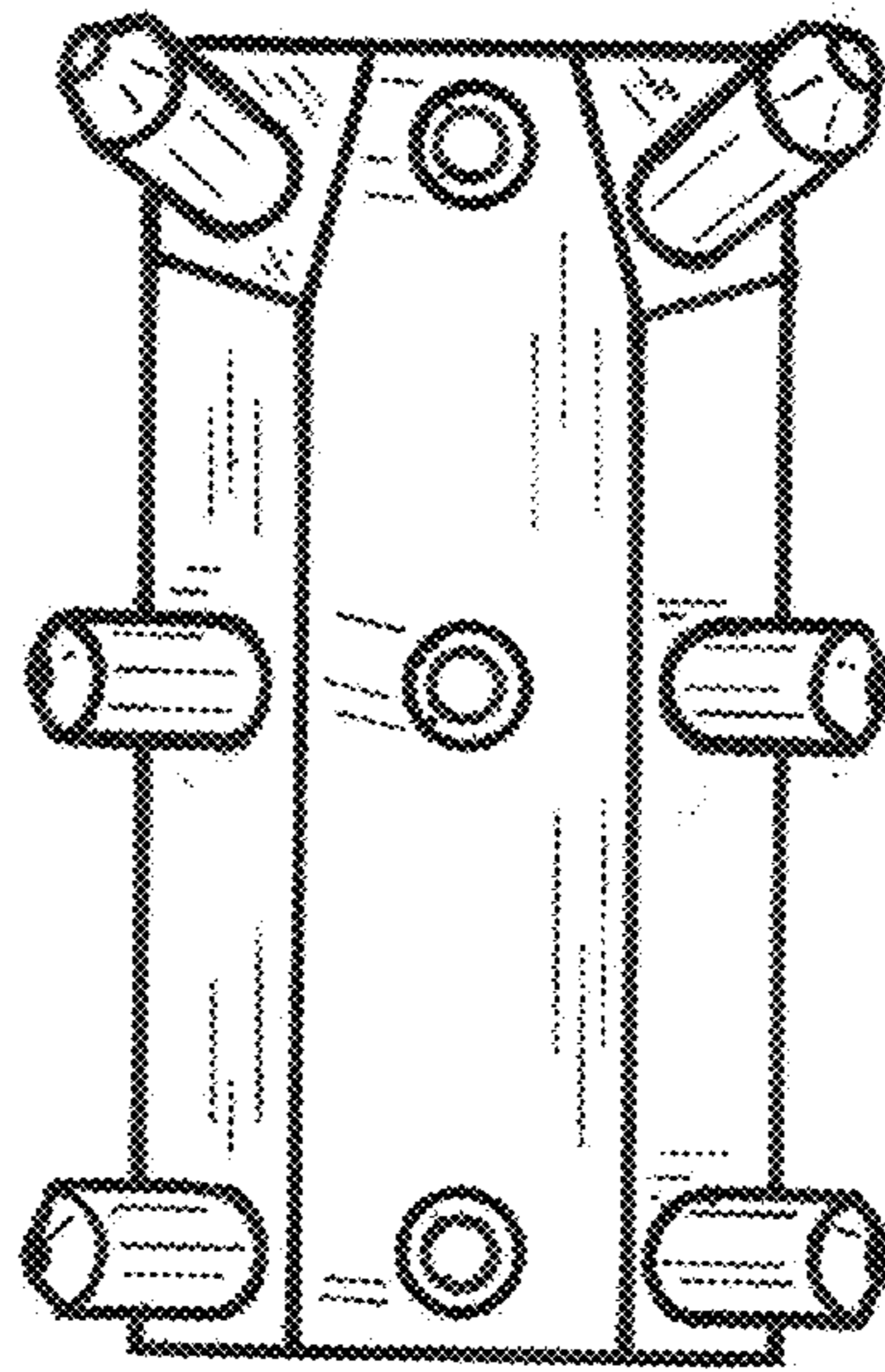


FIG. 3

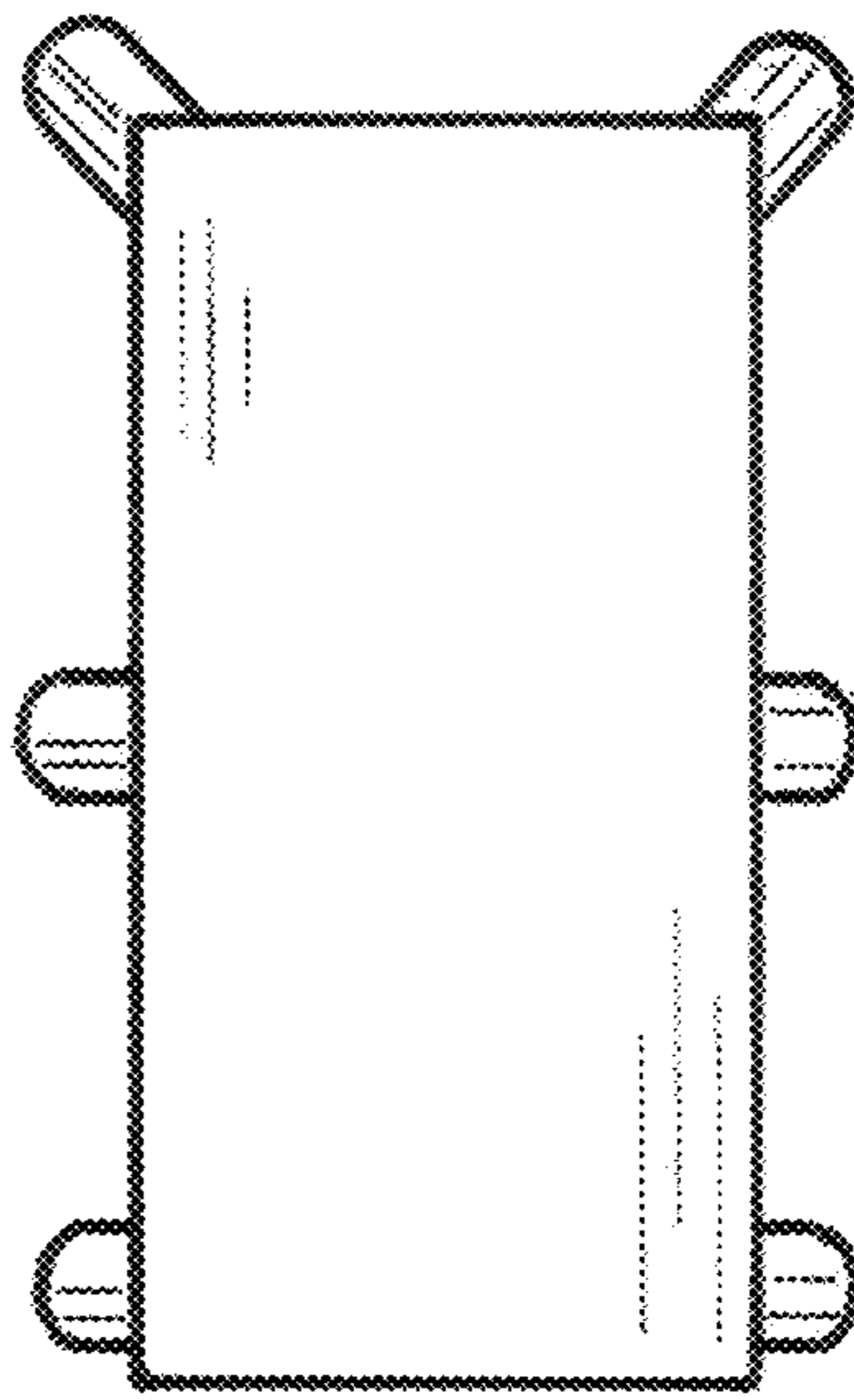


FIG. 4

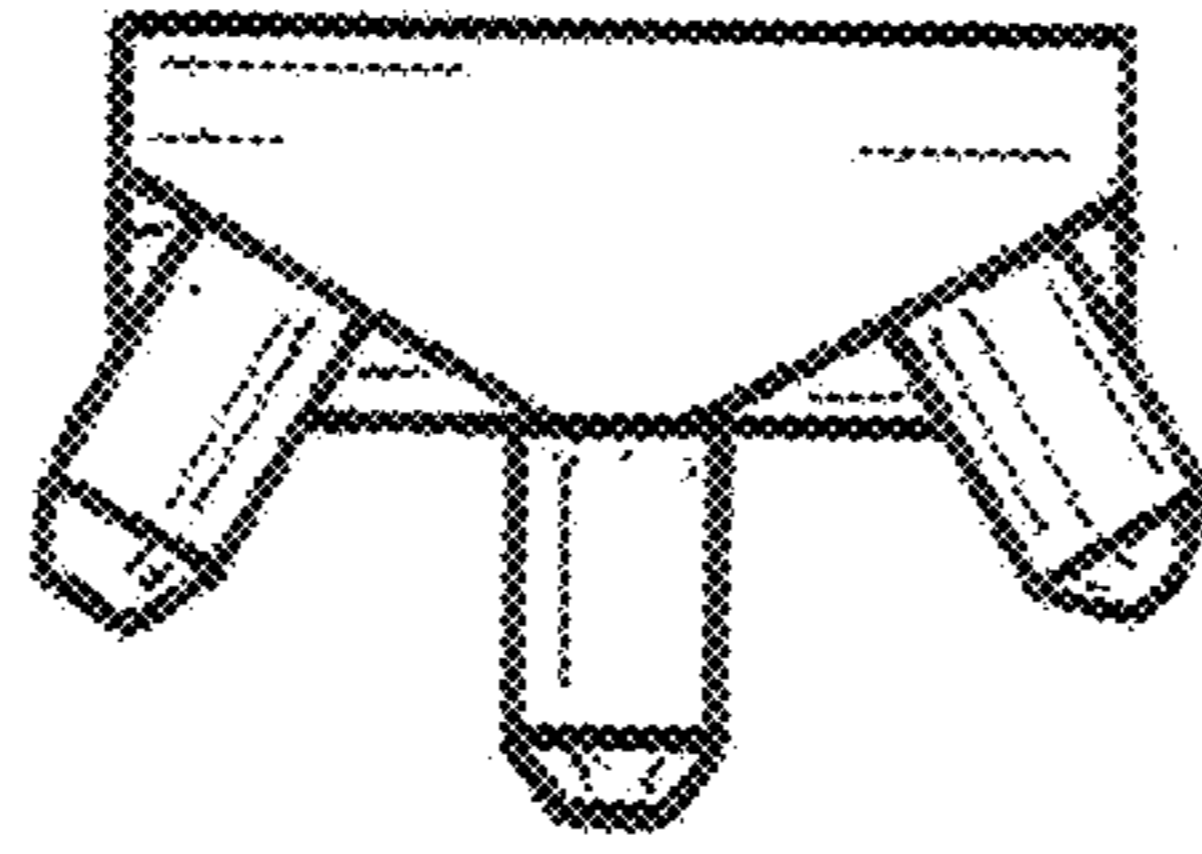


FIG. 5

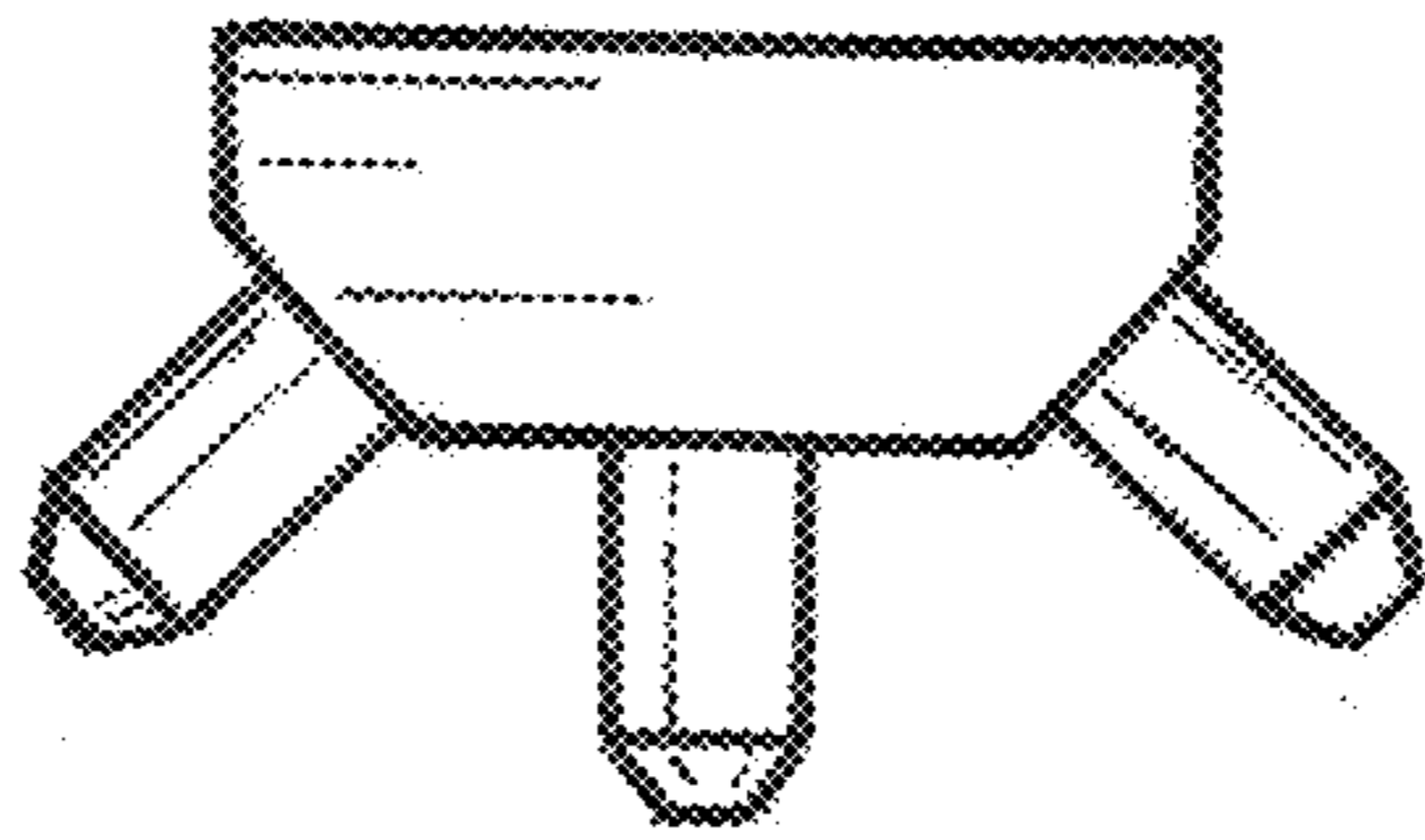


FIG. 6



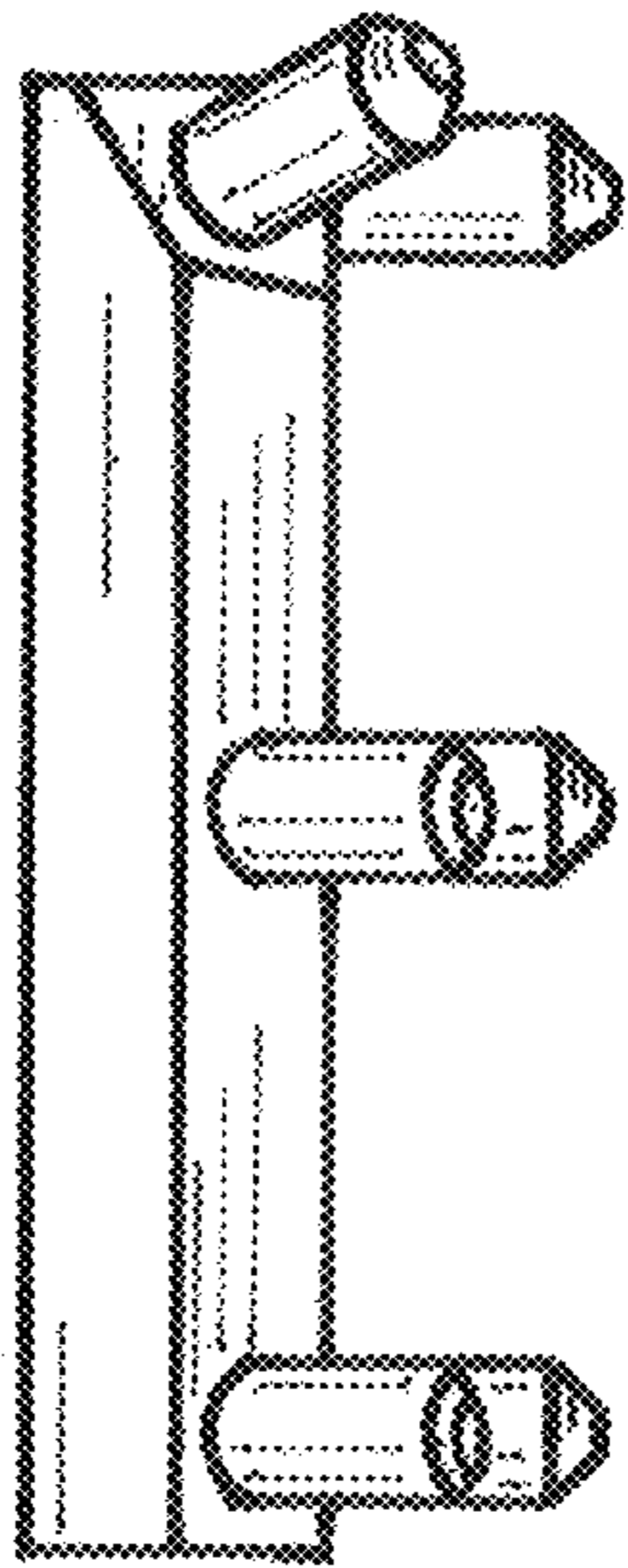


FIG. 7

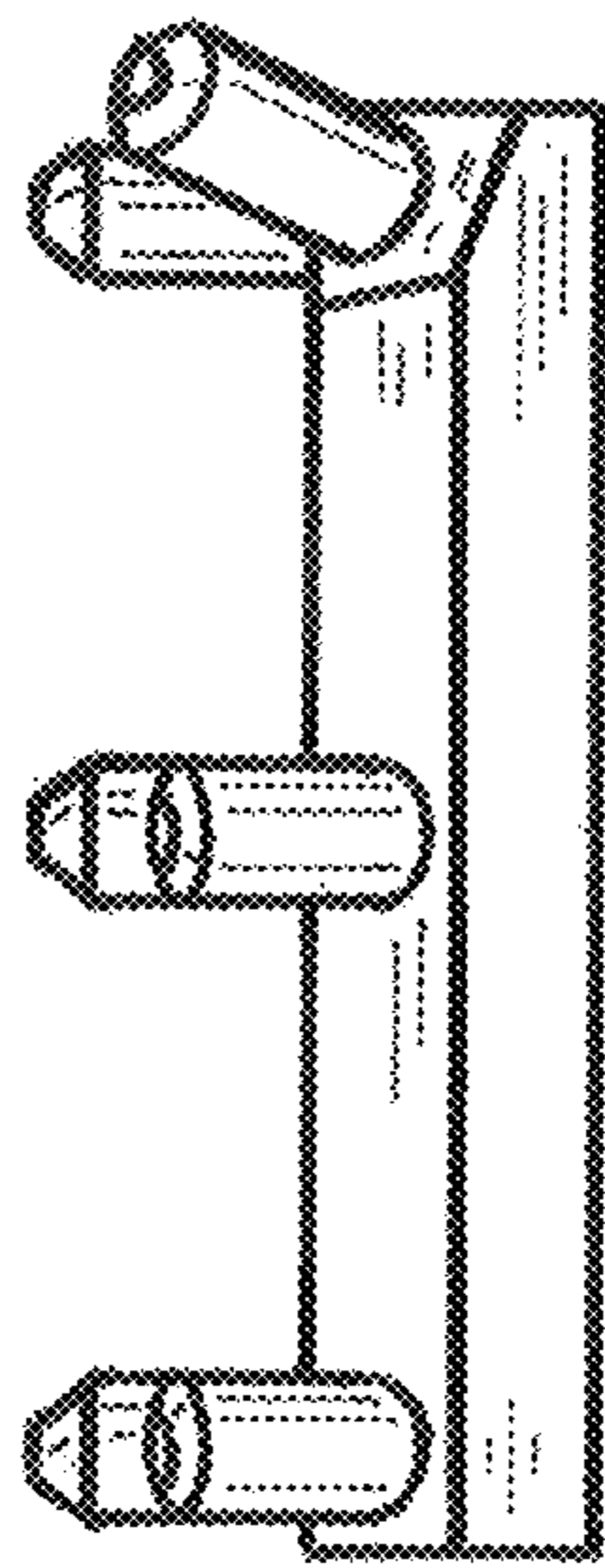


FIG. 8



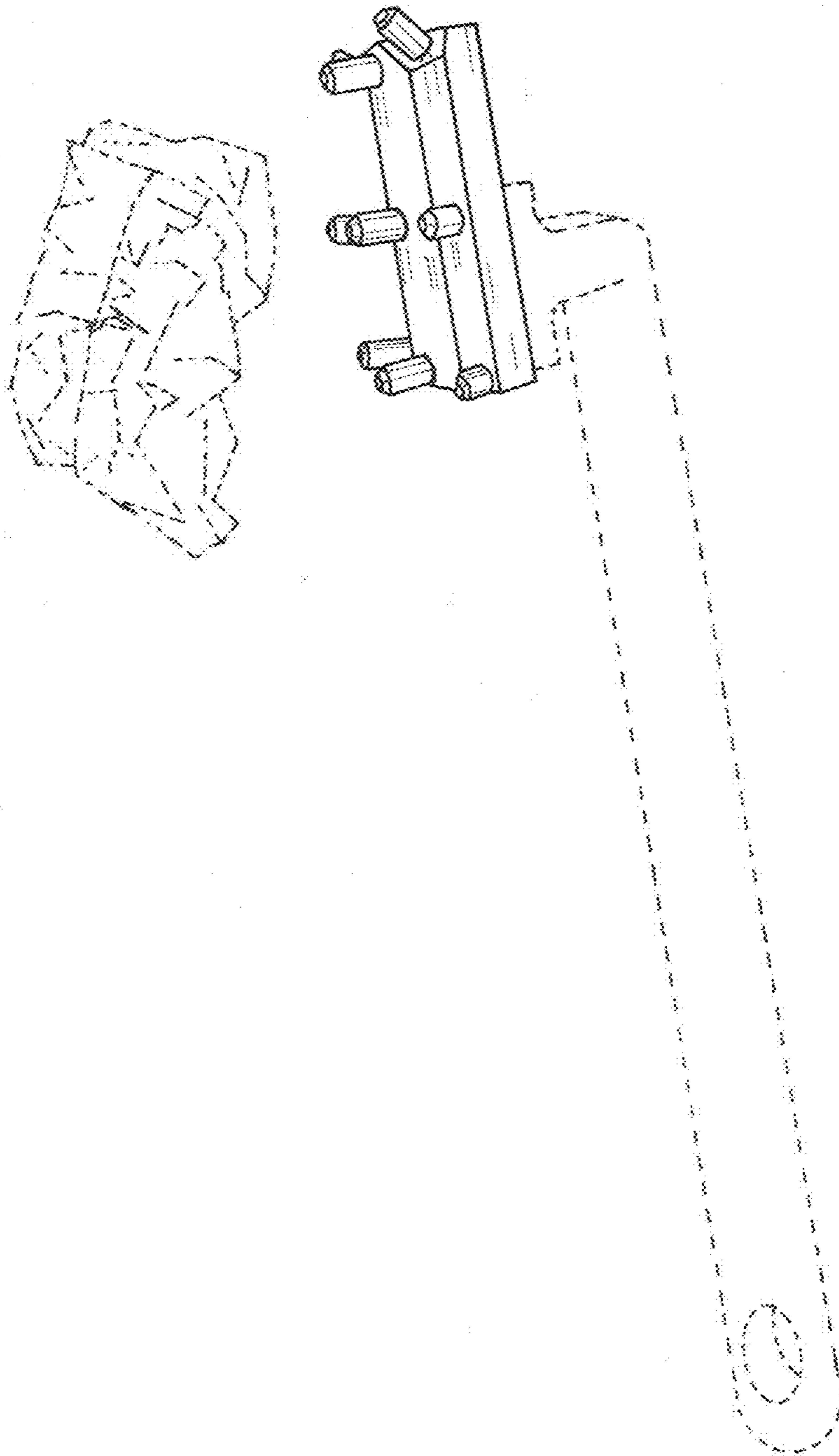


FIG. 9

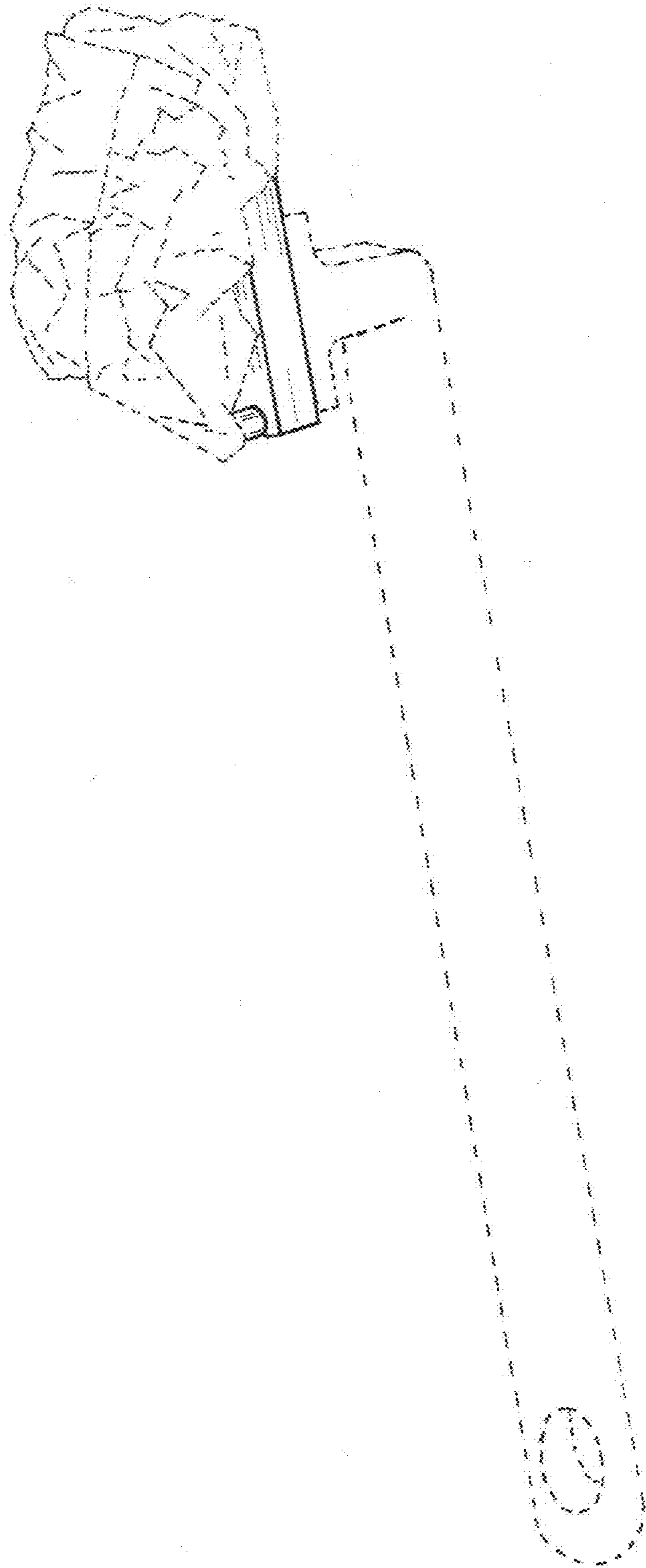


FIG. 10