



US00D764175S

(12) **United States Design Patent**  
**Jimenez et al.**

(10) **Patent No.:** **US D764,175 S**

(45) **Date of Patent:** **\*\* Aug. 23, 2016**

(54) **TOOTHBRUSH**

(71) Applicant: **COLGATE-PALMOLIVE COMPANY**, New York, NY (US)

(72) Inventors: **Eduardo Jimenez**, Manalapan, NJ (US);  
**Robert Moskovich**, East Brunswick, NJ (US);  
**Andreas Wechsler**, Zell am See (AT);  
**Achim Storz**, Zel am See (AT)

(73) Assignee: **COLGATE-PALMOLIVE COMPANY**, New York, NY (US)

(\*\*) Term: **14 Years**

(21) Appl. No.: **29/476,688**

(22) Filed: **Dec. 16, 2013**

(51) **LOC (10) Cl.** ..... **04-02**

(52) **U.S. Cl.**  
USPC ..... **D4/104**

(58) **Field of Classification Search**  
USPC ..... D4/101, 104-112, 138; 15/110, 167.1,  
15/167.2, 207.2; 132/308-311; 601/139,  
601/141, 142; 606/161  
CPC ..... A46B 3/00; A46B 3/005; A46B 3/02;  
A46B 3/04; A46B 3/06; A46B 3/22; A46B  
5/02; A46B 5/023; A46B 5/025; A46B 5/026;  
A46B 5/028; A46B 9/00; A46B 9/005;  
A46B 9/02; A46B 9/04; A46B 9/045; A46B  
9/06; A46B 15/0075; A46B 15/0081; A46B  
2200/00; A46B 2200/10; A46B 2200/1026;  
A46B 2200/1066; A46B 2200/1073; A46B  
2200/1086

See application file for complete search history.

(56) **References Cited**

**U.S. PATENT DOCUMENTS**

D200,385 S 2/1965 Tinsley  
4,583,563 A 4/1986 Turner

D285,730 S 9/1986 Bulwick  
4,813,928 A 3/1989 Abe et al.  
5,066,155 A 11/1991 English et al.  
D347,944 S 6/1994 Honora

(Continued)

**FOREIGN PATENT DOCUMENTS**

AU 722641 5/1997  
AU 2007202870 7/2007

(Continued)

**OTHER PUBLICATIONS**

921 Toothbrush, Chinaboss.com, www.best-b2b.com/usering/764/769-2/adult-toothbrush-021.jpg, downloaded from the Internet Dec. 2, 2011.

(Continued)

*Primary Examiner* — Keli L Hill

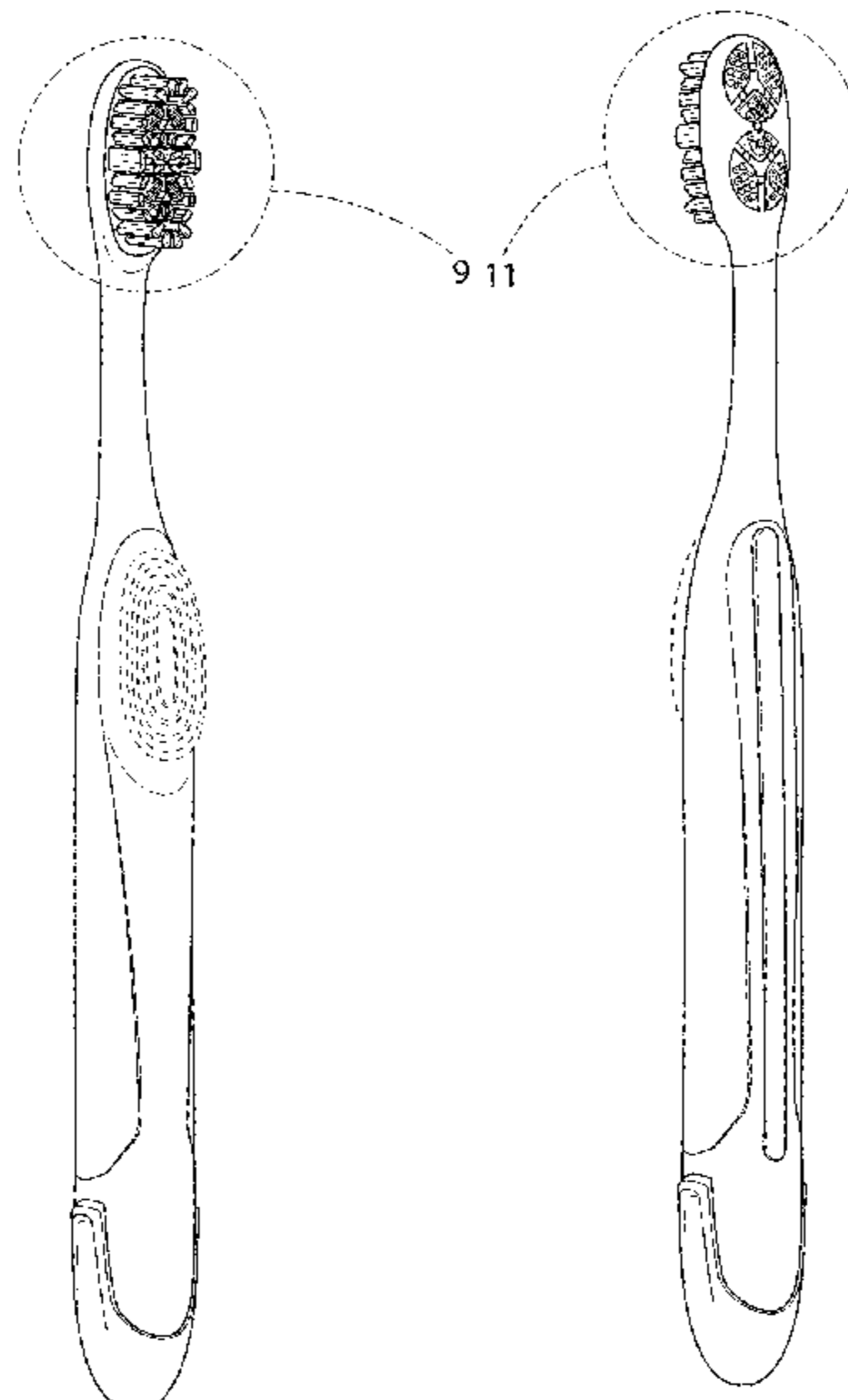
(57) **CLAIM**

The ornamental design for a toothbrush, as shown and described.

**DESCRIPTION**

FIG. 1 is a front perspective view of a toothbrush according to the new design;  
FIG. 2 is a rear perspective view thereof;  
FIG. 3 is a front view thereof;  
FIG. 4 is a rear view thereof;  
FIG. 5 is a left side view thereof;  
FIG. 6 is a right side view thereof;  
FIG. 7 is a greatly enlarged top view thereof;  
FIG. 8 is a greatly enlarged bottom view thereof;  
FIG. 9 is an enlarged detail view of area 9 of FIG. 1;  
FIG. 10 is an enlarged detail view of area 10 of FIG. 3; and,  
FIG. 11 is an enlarged detail view of area 11 of FIG. 2.  
The portions of the handle shown in broken lines form no part of the claimed design.

**1 Claim, 6 Drawing Sheets**



(56)

References Cited

U.S. PATENT DOCUMENTS

D378,957 S 4/1997 Turner et al.  
 5,799,353 A 9/1998 Oishi et al.  
 5,842,487 A 12/1998 Ledet  
 5,896,614 A 4/1999 Flewitt  
 5,980,542 A 11/1999 Saldivar  
 5,985,192 A 11/1999 Weihrauch  
 5,987,688 A 11/1999 Roberts et al.  
 6,004,334 A 12/1999 Mythen  
 D419,775 S 2/2000 Sidhu  
 D422,143 S \* 4/2000 Beals et al. .... D4/104  
 D437,118 S 2/2001 Cheng  
 D440,048 S 4/2001 Beals  
 6,213,662 B1 4/2001 Aljanedi  
 6,280,113 B1 8/2001 Gueret  
 6,299,369 B1 10/2001 Baines et al.  
 6,308,367 B1 10/2001 Beals et al.  
 6,311,358 B1 11/2001 Soetewey et al.  
 D459,585 S 7/2002 Moreno et al.  
 6,463,618 B1 10/2002 Zimmer  
 6,517,350 B2 2/2003 Diasti et al.  
 6,553,604 B1 4/2003 Braun et al.  
 D482,200 S 11/2003 Daniels et al.  
 6,648,538 B2 11/2003 Gueret  
 6,729,789 B2 5/2004 Gordon  
 D537,165 S 2/2007 Leite et al.  
 7,237,974 B2 7/2007 Pfenniger et al.  
 D549,462 S \* 8/2007 Blanchard et al. .... D4/106  
 D569,627 S 5/2008 Goldenthal et al.  
 D574,617 S 8/2008 Gamez et al.  
 D584,512 S 1/2009 Trace  
 7,480,955 B2 \* 1/2009 Hohlbein et al. .... 15/111  
 7,546,658 B2 6/2009 Koeth et al.  
 7,854,036 B2 12/2010 Georgi  
 7,878,728 B2 2/2011 Nasu et al.  
 7,958,589 B2 6/2011 Braun et al.  
 D653,805 S 2/2012 Tani  
 D654,695 S 2/2012 Jimenez et al.  
 D660,003 S 5/2012 Blanchard et al.  
 8,256,979 B2 9/2012 Hilscher et al.  
 D669,982 S 10/2012 Ruiz, Sr. et al.  
 8,276,233 B2 10/2012 Gavney, Jr. et al.  
 8,277,237 B1 10/2012 Cherish  
 8,282,303 B2 10/2012 Umeno et al.  
 8,328,449 B2 12/2012 Wightman et al.  
 8,333,525 B2 12/2012 Wightman et al.  
 D675,024 S 1/2013 Blanchard et al.  
 8,387,628 B2 3/2013 Bowie  
 8,464,914 B2 6/2013 Lulla et al.  
 8,496,393 B2 7/2013 Martin et al.  
 8,500,352 B1 8/2013 Messersmith et al.  
 8,511,323 B2 8/2013 Jimenez et al.  
 8,523,475 B2 9/2013 Jimenez et al.  
 8,528,145 B2 9/2013 Boyd et al.  
 8,528,736 B2 9/2013 Teys et al.  
 8,544,684 B2 10/2013 Perez  
 8,636,433 B2 1/2014 Lerner et al.  
 2004/0255416 A1 12/2004 Hohlbein  
 2006/0107478 A1 \* 5/2006 Boucherie ..... 15/167.1  
 2006/0222683 A1 10/2006 Mythen  
 2007/0283518 A1 12/2007 Blanchard et al.  
 2008/0205970 A1 8/2008 LaFlamme et al.  
 2009/0025162 A1 1/2009 Chan et al.  
 2009/0119859 A1 5/2009 Podolsky  
 2009/0183324 A1 7/2009 Fischer et al.  
 2009/0183331 A1 7/2009 Gross et al.  
 2009/0229063 A1 9/2009 Merl et al.  
 2009/0297253 A1 12/2009 Yuu  
 2010/0296859 A1 11/2010 Lerner et al.  
 2011/0047736 A1 3/2011 Jimenez et al.  
 2011/0308029 A1 12/2011 Edelstein et al.  
 2011/0308030 A1 12/2011 Jimenez et al.  
 2011/0314623 A1 12/2011 Jimenez et al.  
 2011/0315719 A1 12/2011 Tani  
 2012/0034016 A1 2/2012 Jimenez et al.  
 2012/0039661 A1 2/2012 Fukumoto et al.

2012/0077145 A1 3/2012 Tsurukawa et al.  
 2012/0103355 A1 5/2012 Bowie  
 2012/0114410 A1 5/2012 Jimenez et al.  
 2012/0128402 A1 5/2012 Wightman et al.  
 2012/0144612 A1 6/2012 Chen  
 2012/0163902 A1 6/2012 Jimenez et al.  
 2012/0205393 A1 8/2012 Perez  
 2012/0244491 A1 9/2012 Piergallini et al.  
 2012/0248152 A1 10/2012 Weill et al.  
 2012/0251981 A1 10/2012 Piergallini et al.  
 2012/0257920 A1 10/2012 Jimenez et al.  
 2012/0266400 A1 10/2012 Jimenez et al.  
 2012/0272996 A1 11/2012 Jimenez et al.  
 2012/0275841 A1 11/2012 Jimenez et al.  
 2012/0275843 A1 11/2012 Jimenez et al.  
 2012/0284945 A1 11/2012 Lotscher et al.  
 2012/0291910 A1 11/2012 Wightman et al.  
 2012/0301209 A1 11/2012 Fattori  
 2013/0092709 A1 4/2013 Salem et al.  
 2013/0175300 A1 7/2013 Gyakushi et al.  
 2013/0205524 A1 8/2013 Dhami  
 2013/0245597 A1 9/2013 Johnson et al.  
 2013/0255021 A1 10/2013 Xi et al.  
 2013/0316300 A1 11/2013 Jimenez et al.

FOREIGN PATENT DOCUMENTS

AU 2008200508 2/2008  
 AU 2010202358 7/2010  
 AU 2011218764 9/2011  
 CA 2394842 6/2001  
 CN 1415258 5/2003  
 CN 201108158 9/2008  
 CN 300882113 2/2009  
 CN 201263448 7/2009  
 CN 201324009 10/2009  
 CN 201814078 5/2011  
 CN 301548742 5/2011  
 CN 202085945 12/2011  
 CN 202146041 2/2012  
 CN 301961506 6/2012  
 CN 202341227 7/2012  
 CN 202341228 7/2012  
 CN 202407679 9/2012  
 CN 202536513 11/2012  
 CN 202536517 11/2012  
 CN 202552703 11/2012  
 CN 202552709 11/2012  
 CN 202588734 12/2012  
 CN 202636032 1/2013  
 CN 202664665 1/2013  
 CN 202820091 3/2013  
 CN 202820120 3/2013  
 CN 302387323 4/2013  
 CN 302448423 6/2013  
 CN 302471528 6/2013  
 DE 202005009026 11/2005  
 DE 202012004274 U1 \* 8/2012 ..... A46B 9/04  
 EM 000158332-0002 7/2004  
 EM 000158332-0003 7/2004  
 EM 000466164-0001 3/2006  
 EM 000552989-0001 8/2006  
 EM 000552989-0002 8/2006  
 EM 001227524-0001 9/2010  
 EM 001823311-0001 3/2011  
 EM 002270710-0001 7/2013  
 EP 1 661 487 5/2006  
 EP 2 060 201 5/2009  
 EP 2 404 524 1/2012  
 EP 2 008 545 8/2013  
 GB 2 451 230 1/2009  
 IN D214433 1/2008  
 IN D219495 10/2008  
 IN D219496 10/2008  
 IN D231307 9/2010  
 JP 3046561 5/2000  
 JP 3311991 8/2002  
 JP 2002-360342 12/2002  
 JP 3794108 7/2006

(56)

References Cited

FOREIGN PATENT DOCUMENTS

JP	2008-029397	2/2008
JP	2008-055233	3/2008
JP	4076403	4/2008
JP	4076404	4/2008
JP	4076405	4/2008
JP	4076412	4/2008
JP	2008-142371	6/2008
JP	4187483	11/2008
JP	4187489	11/2008
JP	4301380	7/2009
JP	4316487	8/2009
JP	2009-273760	11/2009
JP	2010-158591	7/2010
JP	4515714	8/2010
JP	4541874	9/2010
JP	4570293	10/2010
KR	30-0362655 S *	9/2004
KR	30-0442164	3/2007
KR	30-0682280 S *	2/2013
RU	2143388	12/1999
RU	D55985	1/2005
RU	2250185	4/2005
RU	82113	4/2009
RU	87330	10/2009
RU	2400119	9/2010
RU	100370	12/2010

RU	D78891	7/2011
RU	84564	3/2013
RU	D84563	3/2013
RU	D85378	6/2013
WO	WO 99/58019	11/1999
WO	00/64307	11/2000
WO	WO 03/055351	7/2003
WO	WO 2004/071237	8/2004
WO	WO 2004/082428	9/2004
WO	WO 2006/058969	8/2006
WO	WO 2007/063775	6/2007
WO	WO 2008/104507	9/2008
WO	WO 2010/144938	12/2010
WO	WO 2011/079029	6/2011
WO	WO 2012/099230	7/2012
WO	WO 2013/005034	1/2013
WO	WO 2013095452 A1 *	6/2013 ..... A46B 9/005

OTHER PUBLICATIONS

Fresh Breath 400 TC Toothbrush, <https://secure.jnjcanada.com/reach/en/products.asp>, downloaded from the Internet Dec. 2, 2011.  
 S803 Toothbrush, Chinaboss.com, [www.supplierlist.com/photo\\_images/65486/Adult\\_Toothbrush\\_S803with\\_tongue\\_cleaner.jpg](http://www.supplierlist.com/photo_images/65486/Adult_Toothbrush_S803with_tongue_cleaner.jpg), downloaded from the Internet Dec. 2, 2011.  
 Tongue Cleaner 2011. S535, [www.chinaboss.com](http://www.chinaboss.com), downloaded from the Internet Dec. 2, 2011.

\* cited by examiner

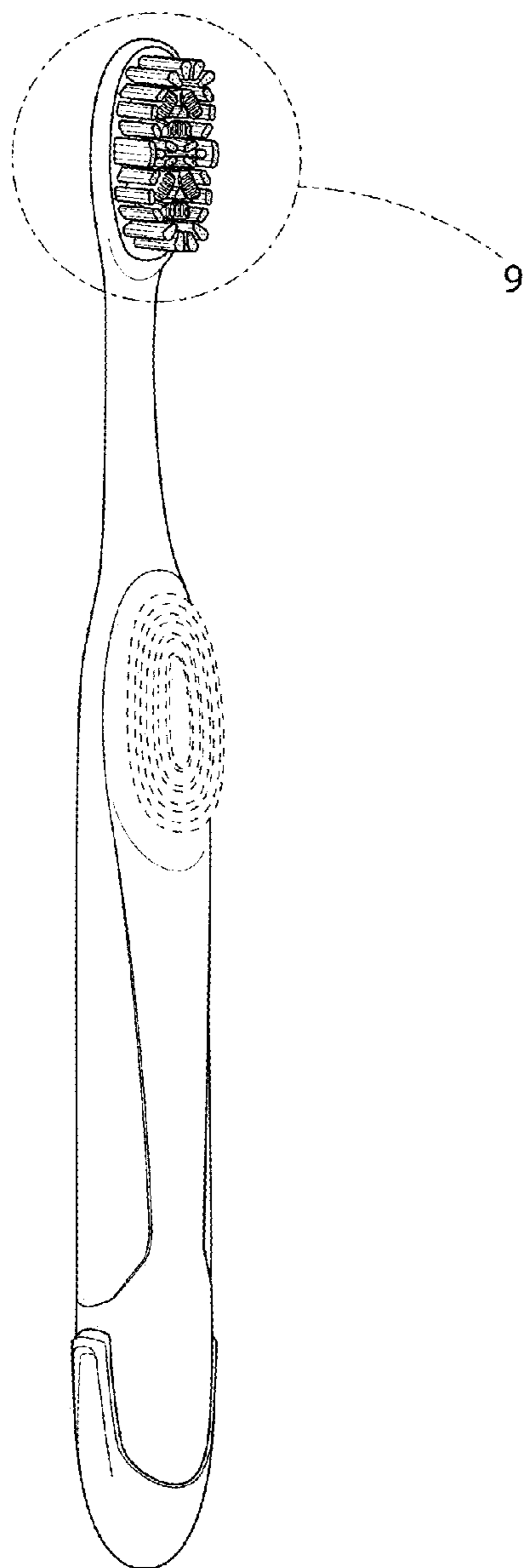


FIG. 1

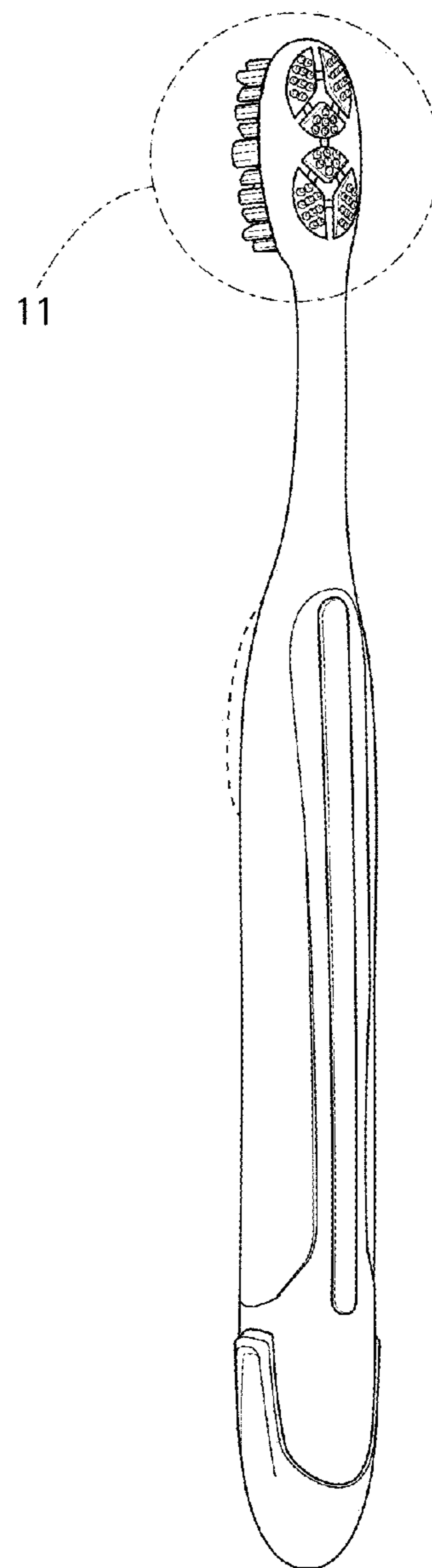


FIG. 2

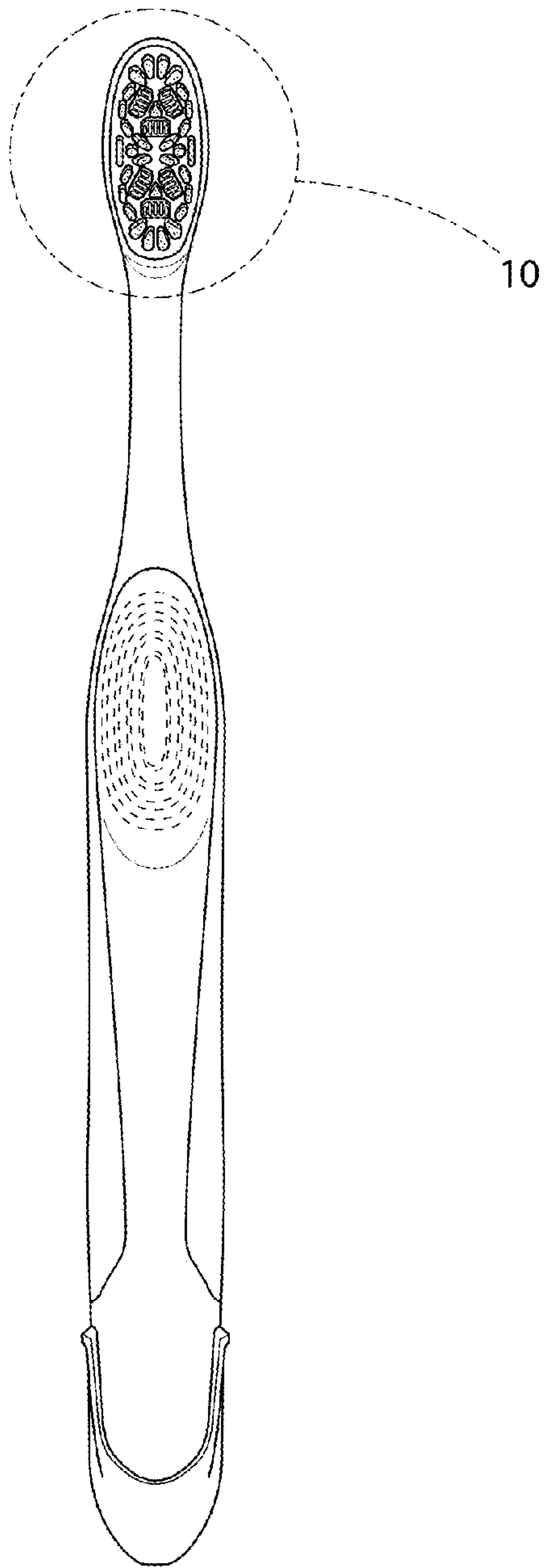


FIG. 3

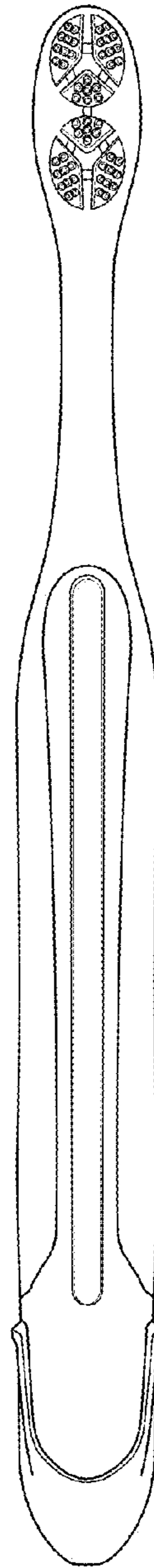


FIG. 4

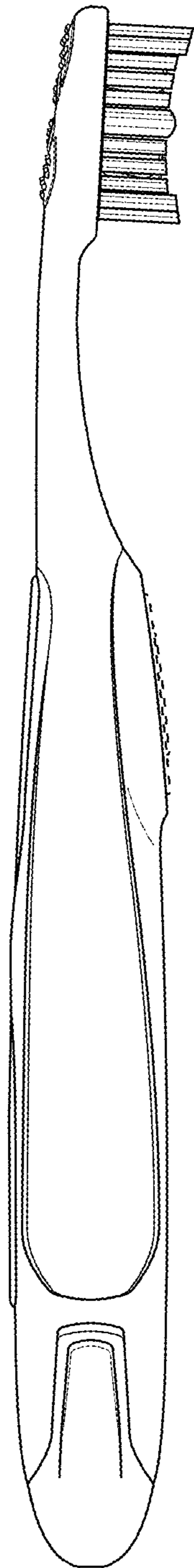


FIG. 5

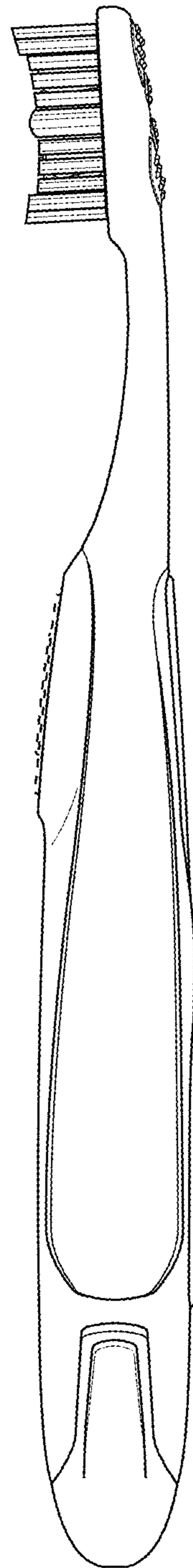


FIG. 6

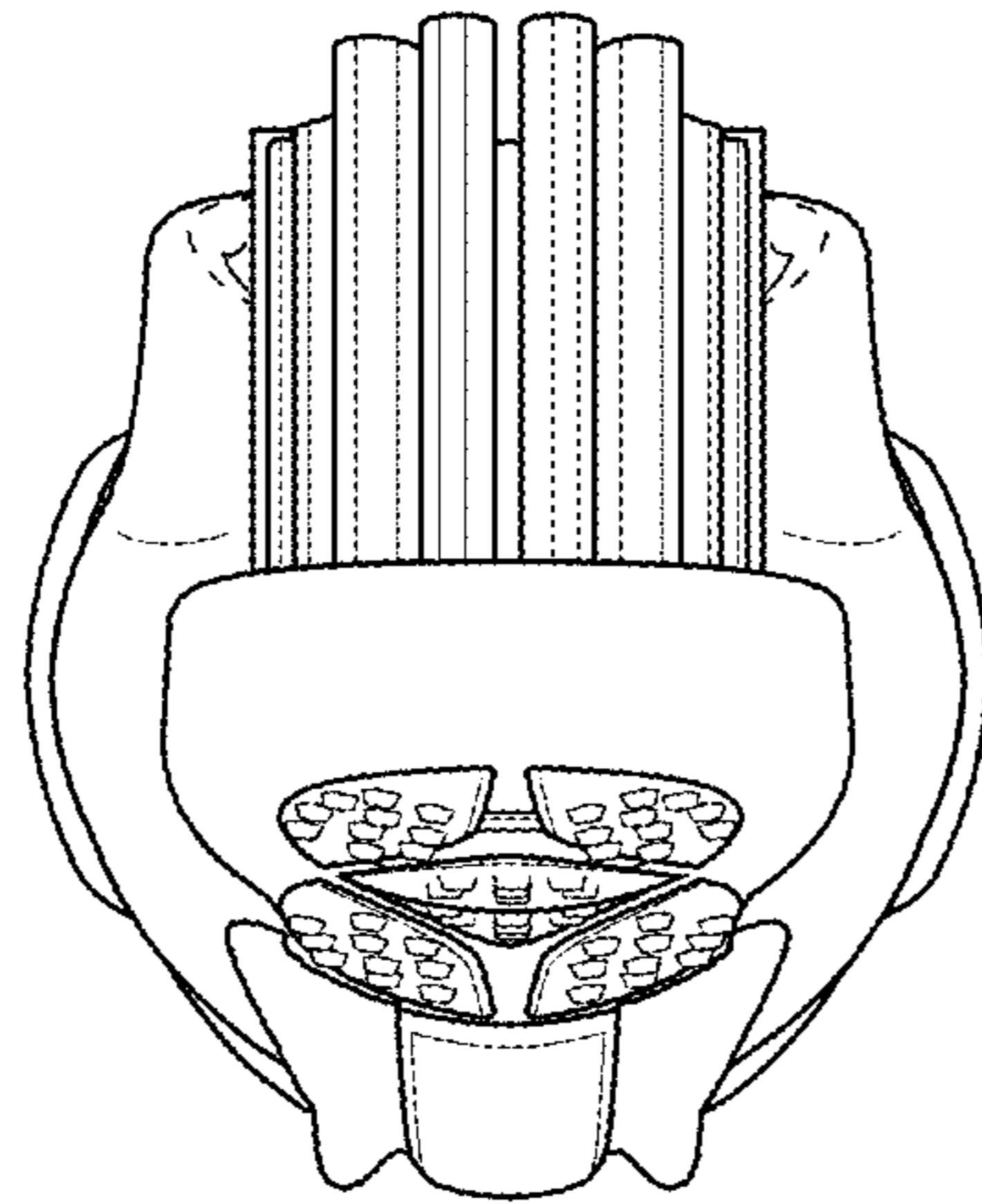


FIG. 7

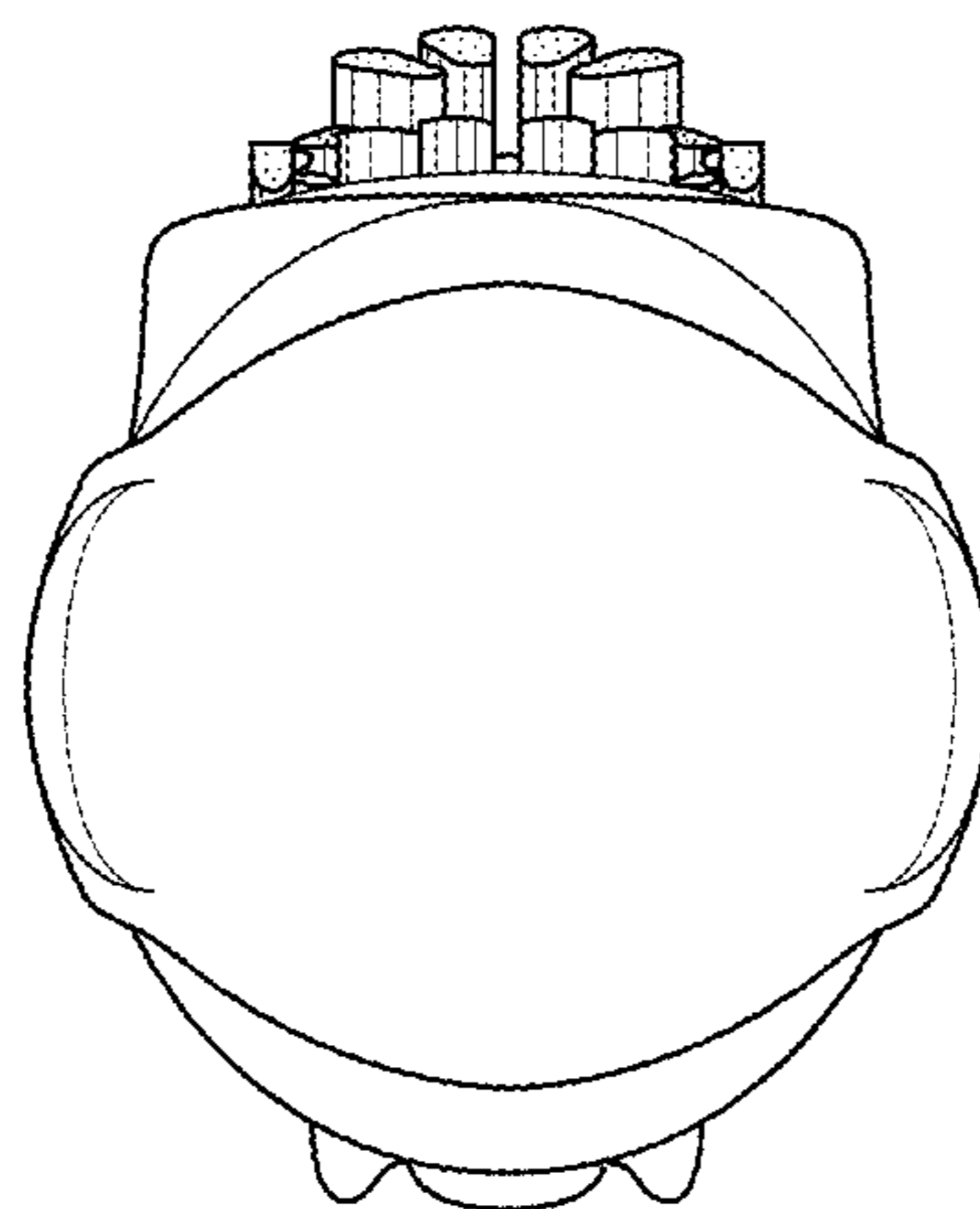


FIG. 8

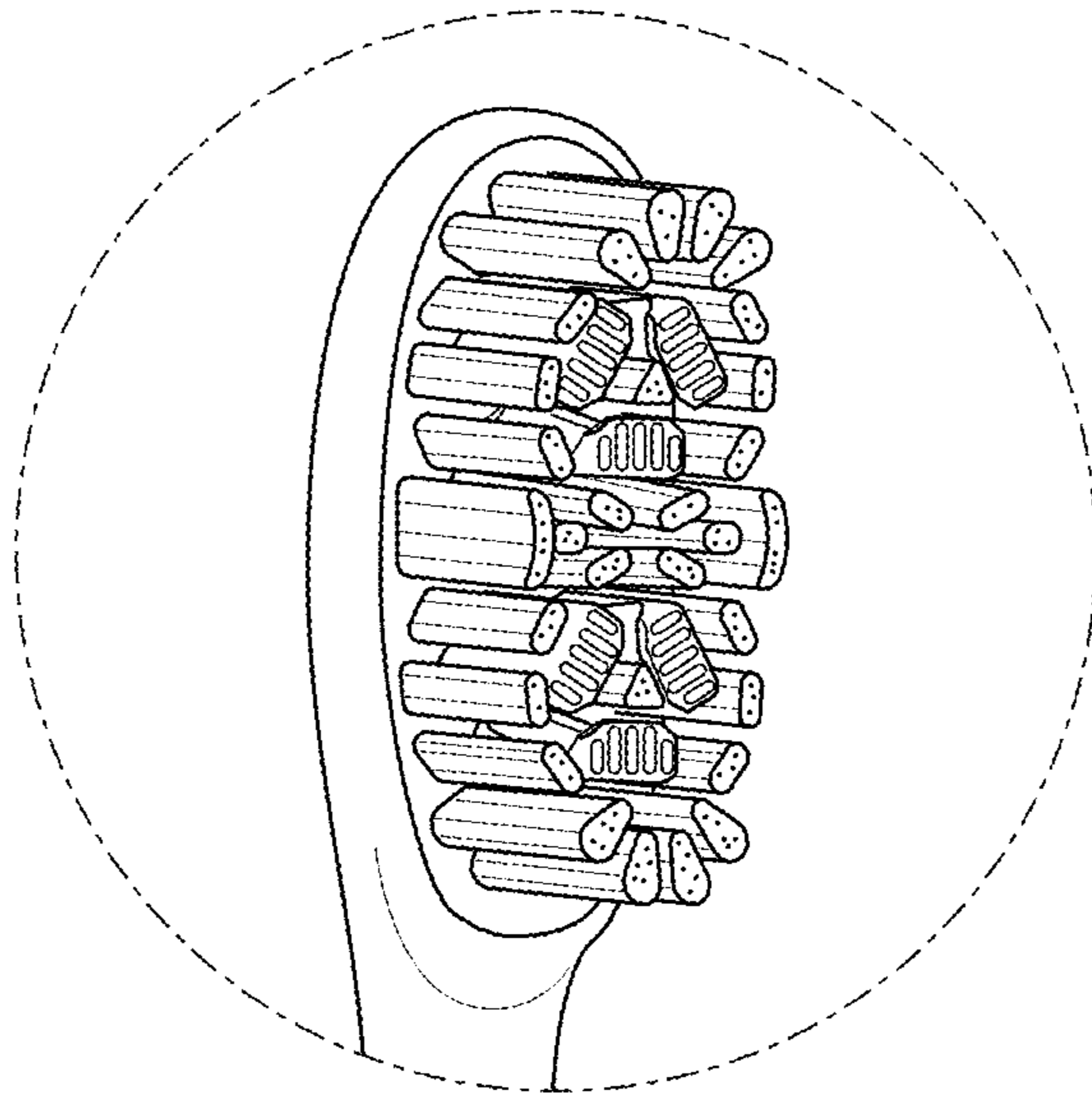


FIG. 9

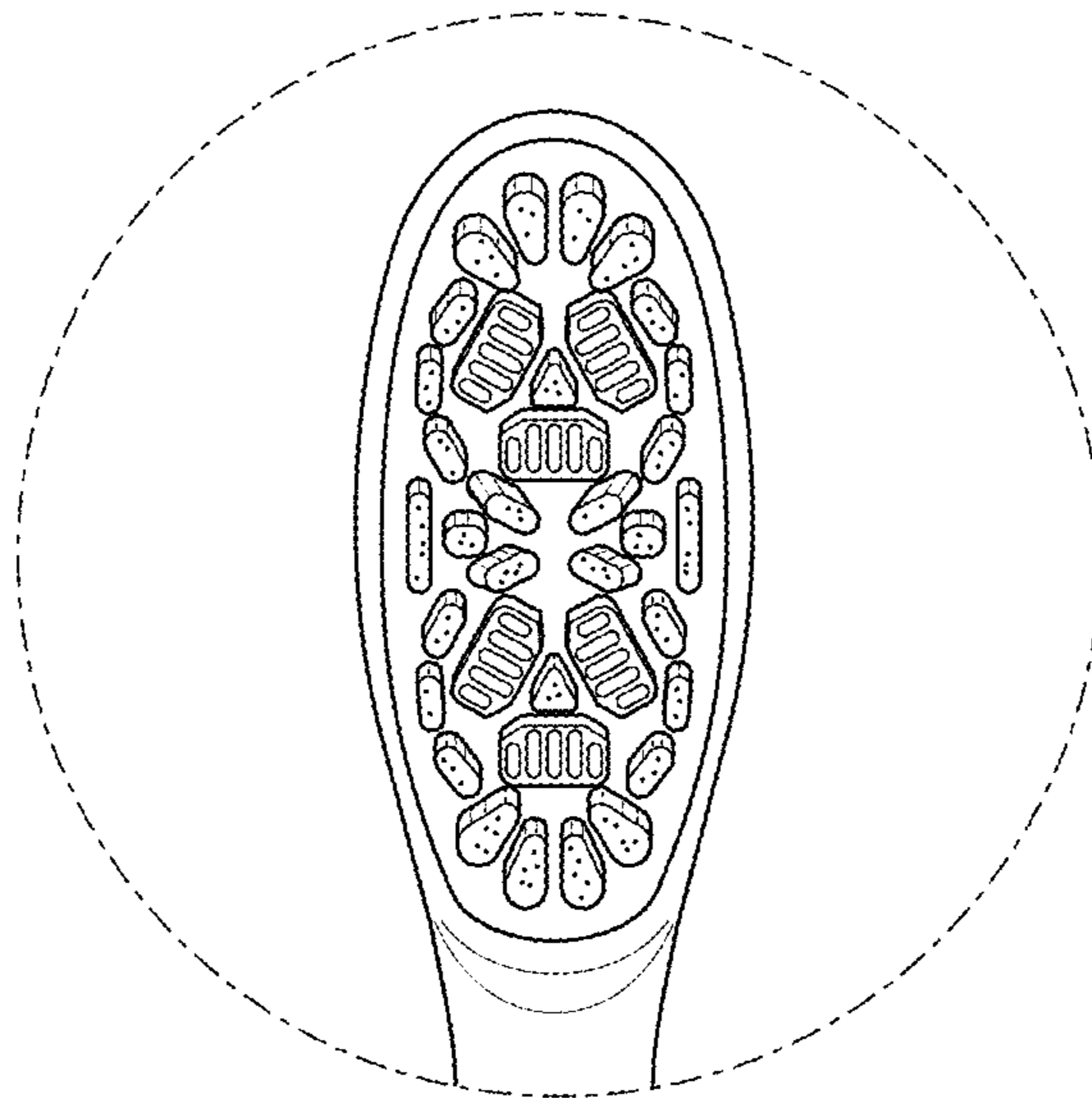


FIG. 10



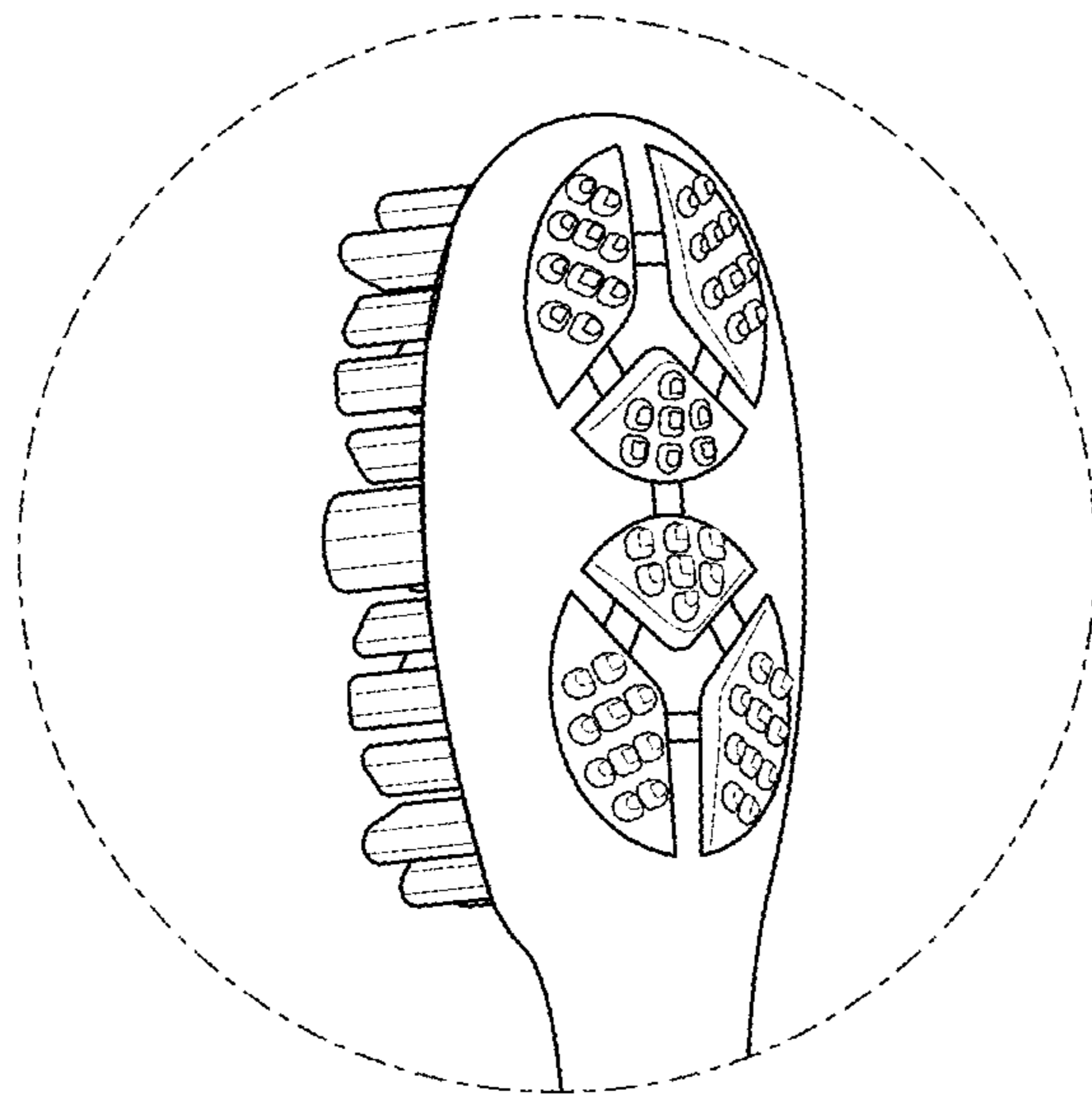


FIG. 11