

US00D764168S

(12) **United States Design Patent**
Hyslop

(10) **Patent No.:** **US D764,168 S**
(45) **Date of Patent:** **** Aug. 23, 2016**

(54) **MOBILE TELEPHONE CASE WITH POCKET**

FOREIGN PATENT DOCUMENTS

(71) Applicant: **Timothy J. Hyslop**, Wolfville (CA)

EP 2408176 A1 1/2012

(72) Inventor: **Timothy J. Hyslop**, Wolfville (CA)

OTHER PUBLICATIONS

(**) Term: **14 Years**

(21) Appl. No.: **29/515,689**

(22) Filed: **Jan. 26, 2015**

(51) **LOC (10) Cl.** **03-01**

(52) **U.S. Cl.**
USPC **D3/303**; D3/218

(58) **Field of Classification Search**
USPC D3/218, 219, 233, 243, 247-249, 301,
D3/303; 150/145-149; 24/67 F, 498; 206/5,
206/37-38, 232, 425
CPC A45C 11/04; A45C 11/24; A45F 5/00;
A45F 2200/0508; A45F 2200/0516; A45F
2005/008; A45F 5/021
See application file for complete search history.

http://smartsaverllc.com/index.php?main_page=product_info&products_id=1738#VAcO2_IdXml (Jan. 28, 2013).
[https://www.google.com/search?q=blackberry+cell+phone+wallet&espv=2&source=lnms&tbm=isch&sa=X&ei=xw4HVLXjCpXBggTTiYHIAg&ved=0CAcQ_AUoAg&biw=1242&bih=606#facrc=_&imgdii=_&imgcr=xfMQgx0Ssf54nM%253A%3BA9q4yr1XXvdZsM%3Bhttp%253A%252F%252Fwww.sovaleather.com%252FL2713fint.jpg%3Bhttp%253A%252F%252Fwww.sovaleather.com%252Fwomen's_wallet_\(5\).htm%3B237%3B320](https://www.google.com/search?q=blackberry+cell+phone+wallet&espv=2&source=lnms&tbm=isch&sa=X&ei=xw4HVLXjCpXBggTTiYHIAg&ved=0CAcQ_AUoAg&biw=1242&bih=606#facrc=_&imgdii=_&imgcr=xfMQgx0Ssf54nM%253A%3BA9q4yr1XXvdZsM%3Bhttp%253A%252F%252Fwww.sovaleather.com%252FL2713fint.jpg%3Bhttp%253A%252F%252Fwww.sovaleather.com%252Fwomen's_wallet_(5).htm%3B237%3B320), Sep. 3, 2014.
<http://www.eholster.com/cell-phone-wallet-cases.html>, Sep. 3, 2014.

* cited by examiner

Primary Examiner — Catheri Oliver-Garcia
(74) *Attorney, Agent, or Firm* — Robert C. Montgomery; Montgomery Patent & Design, LLC

(56) **References Cited**

U.S. PATENT DOCUMENTS

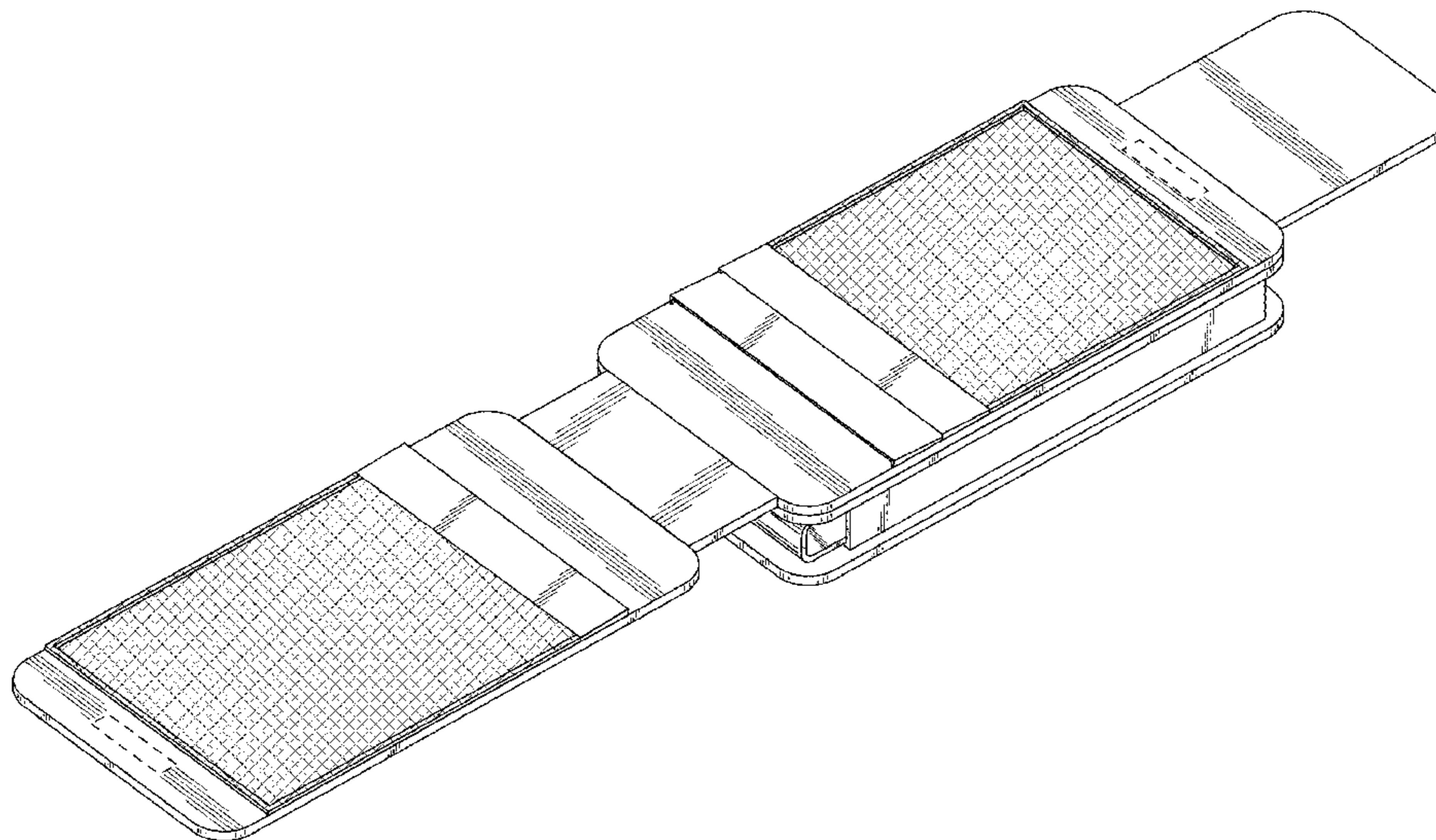
2,479,472	A *	8/1949	Coplon	A45C 11/04 150/145
2,851,754	A *	9/1958	Ecker	A45C 11/24 150/149
7,204,398	B1	4/2007	Smith, Sr.		
D602,689	S *	10/2009	Hewitt	D3/247
D639,552	S	6/2011	Du		
D680,743	S *	4/2013	Chang	D3/303
D680,744	S *	4/2013	Rashid	D3/303
D681,332	S *	5/2013	Rashid	D3/303
D681,949	S *	5/2013	Kershenstein	D3/249
8,499,933	B2	8/2013	Ziemba		
8,504,127	B2	8/2013	Altschul et al.		
8,726,952	B2	5/2014	Jambunathan et al.		
D740,548	S *	10/2015	Hassler	D3/218
2013/0199948	A1	8/2013	Lebauer		

(57) **CLAIM**
The ornamental design for a mobile telephone case with a pocket, as shown and described.

DESCRIPTION

FIG. 1 is a top perspective view of the mobile telephone case with a pocket showing my new design;
FIG. 2 is a front view thereof;
FIG. 3 is a rear view thereof;
FIG. 4 is a right side view with the left side view being a mirror image thereof;
FIG. 5 is a top view thereof; and,
FIG. 6 is a bottom view thereof.
The dashed lines are intended to show boundary areas and are not part of the claimed design.

1 Claim, 5 Drawing Sheets



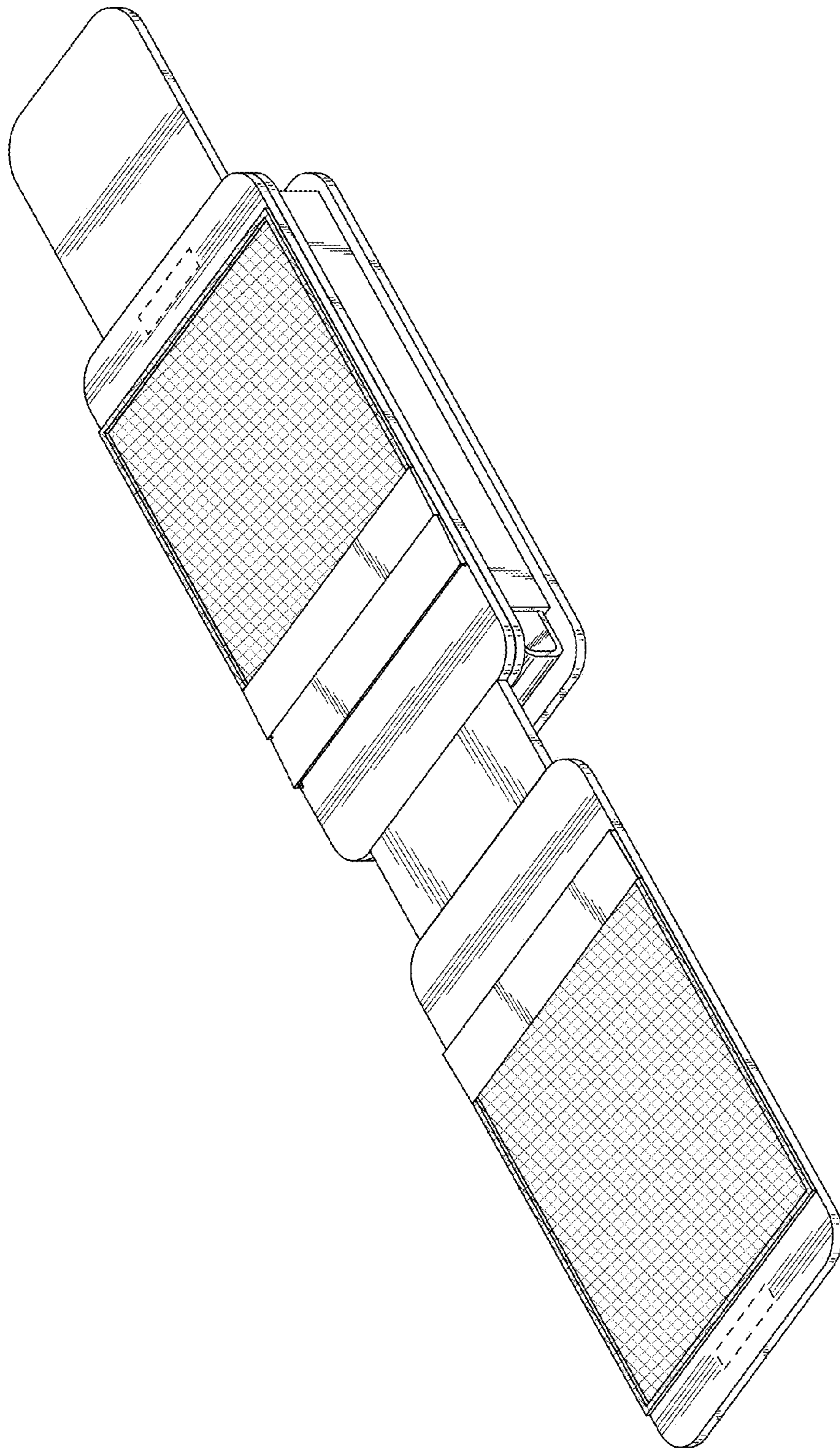


Fig. 1

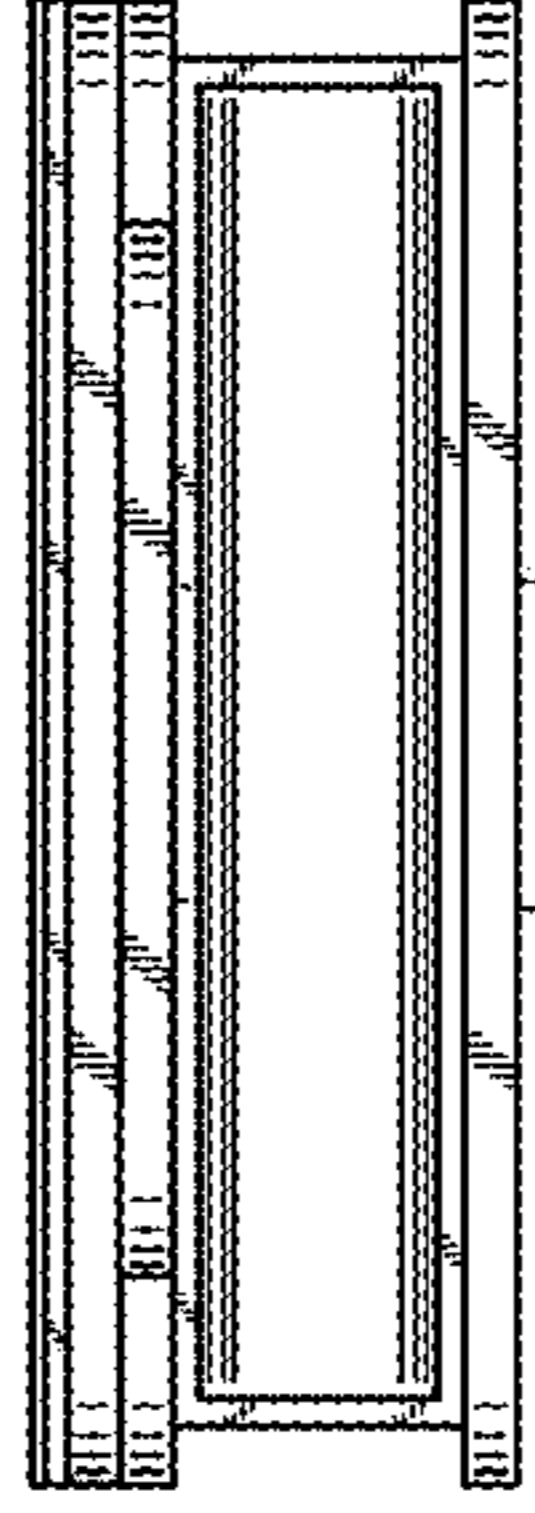


Fig. 3

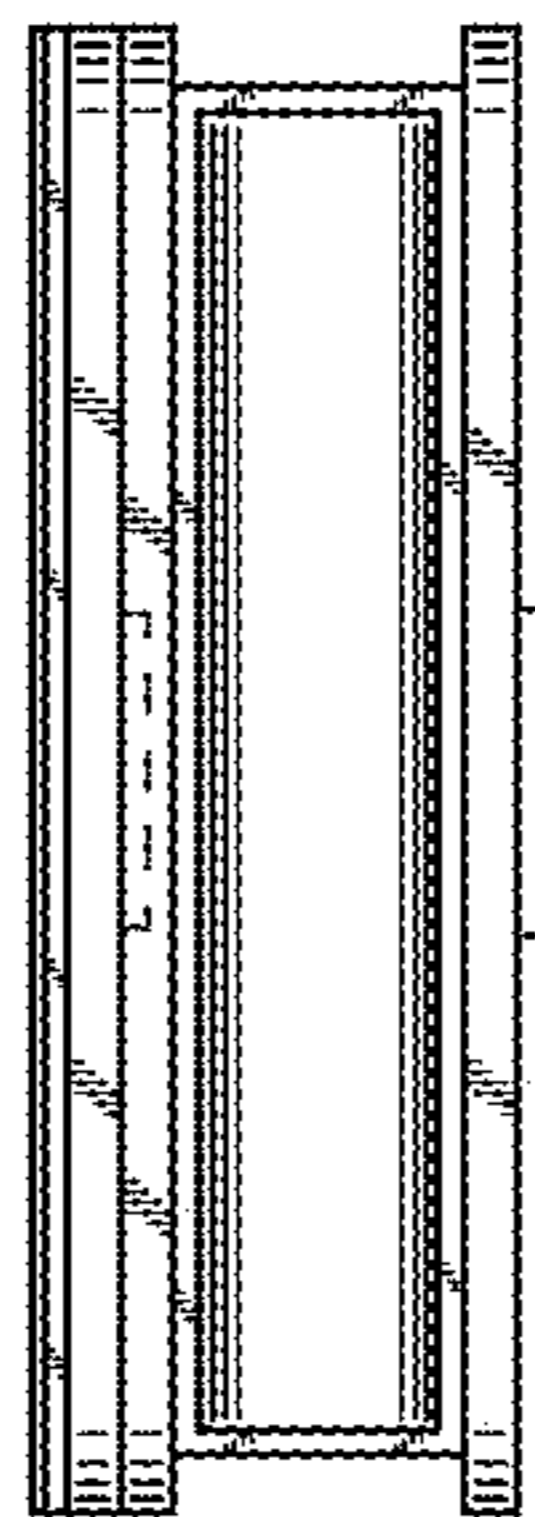


Fig. 2

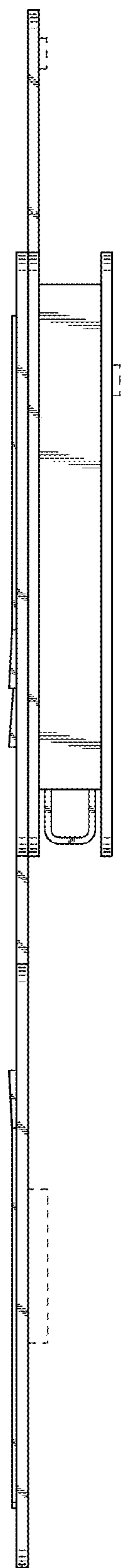


Fig. 4

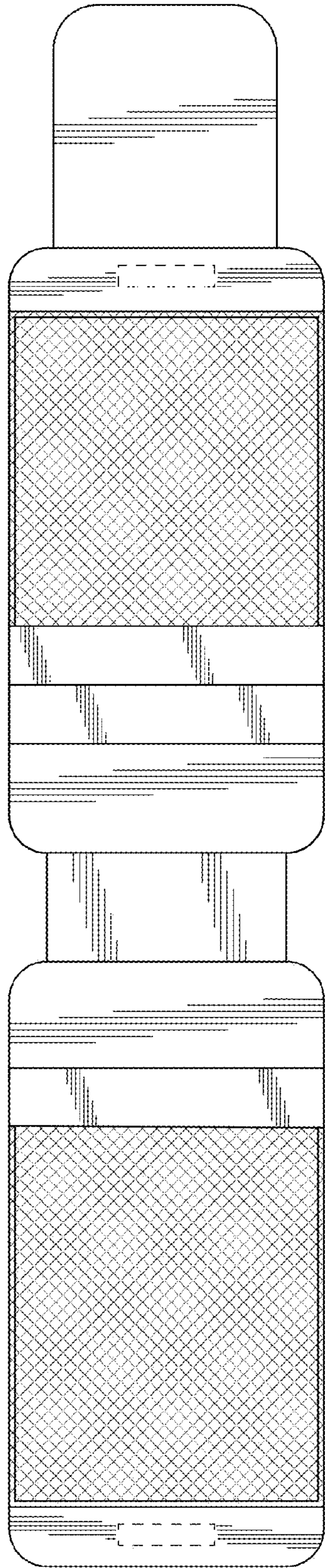


Fig. 5

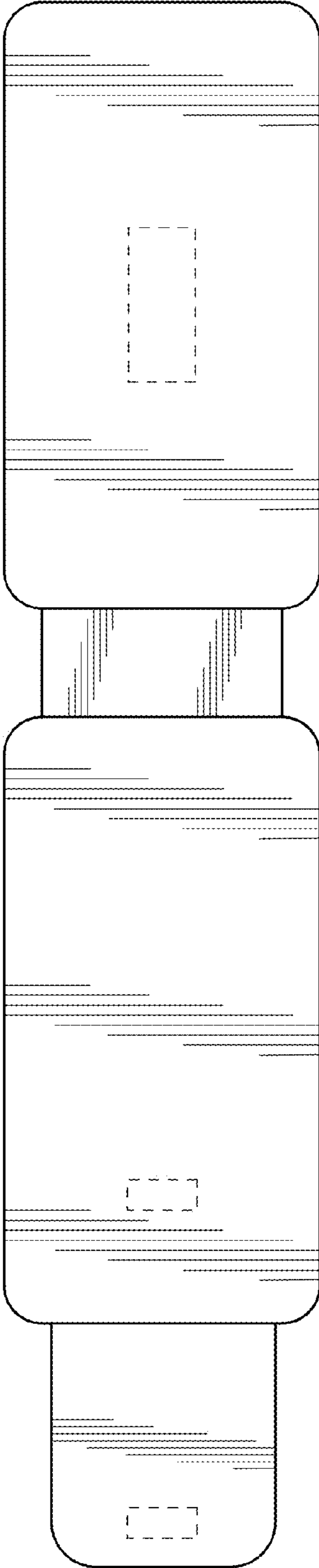


Fig. 6