



US00D764163S

(12) **United States Design Patent**  
**Reaux**

(10) **Patent No.:** **US D764,163 S**

(45) **Date of Patent:** **\*\* Aug. 23, 2016**

(54) **FOLDED SPONGE COUNTER BAG COUPLED TO SPONGE PACK**

D646,485 S \* 10/2011 Mason ..... D3/299  
D658,361 S \* 5/2012 Kontos ..... D3/203.1  
D673,769 S \* 1/2013 Gorman ..... D3/203.3

(75) Inventor: **Brian K Reaux**, Red Oak, TX (US)

\* cited by examiner

(73) Assignee: **Brian K. Reaux**, Red Oak, TX (US)

*Primary Examiner* — Catheri Oliver-Garcia

(\*\*) Term: **14 Years**

(57) **CLAIM**

The ornamental design for a folded sponge counter bag coupled to sponge pack, as shown and described.

(21) Appl. No.: **29/421,536**

**DESCRIPTION**

(22) Filed: **Aug. 10, 2012**

(51) **LOC (10) Cl.** ..... **03-01**

(52) **U.S. Cl.**  
USPC ..... **D3/203.1**

(58) **Field of Classification Search**  
USPC ..... D3/201–205, 299, 303, 283–291;  
206/5, 287.1, 438, 528–540; 224/560;  
190/111, 115, 118, 902–903; 383/4,  
383/23, 25, 37, 39–40

See application file for complete search history.

FIG. 1 is a front perspective view of a folded sponge counter bag coupled to sponge pack showing my new design, with the sponge counter bag shown folded inside of the sponge pack; FIG. 2 is a perspective view, with the sponge counter bag shown removed from the sponge pack; FIG. 3 is a front elevation view, with the sponge counter bag being stored inside the sponge pack; FIG. 4 is a rear elevation view, with the sponge counter bag being stored inside the sponge pack; FIG. 5 is a left elevation view, with the sponge counter bag being stored inside the sponge pack; FIG. 6 is a right elevation view, with the sponge counter bag being stored inside the sponge pack; and, FIG. 7 is a top plan view.

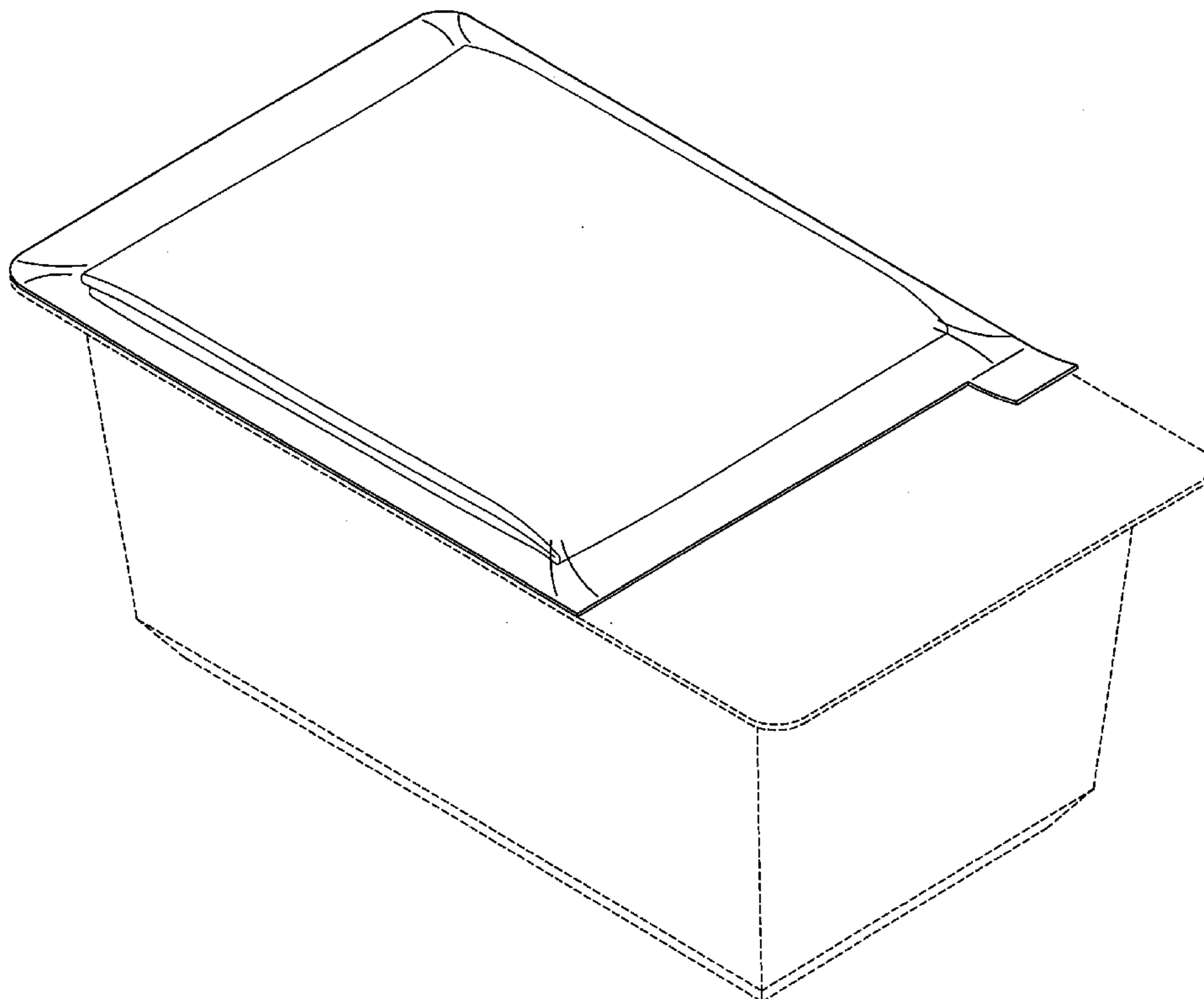
The broken lines depict environment and are included for the purpose of illustrating only and form no part of the claimed design.

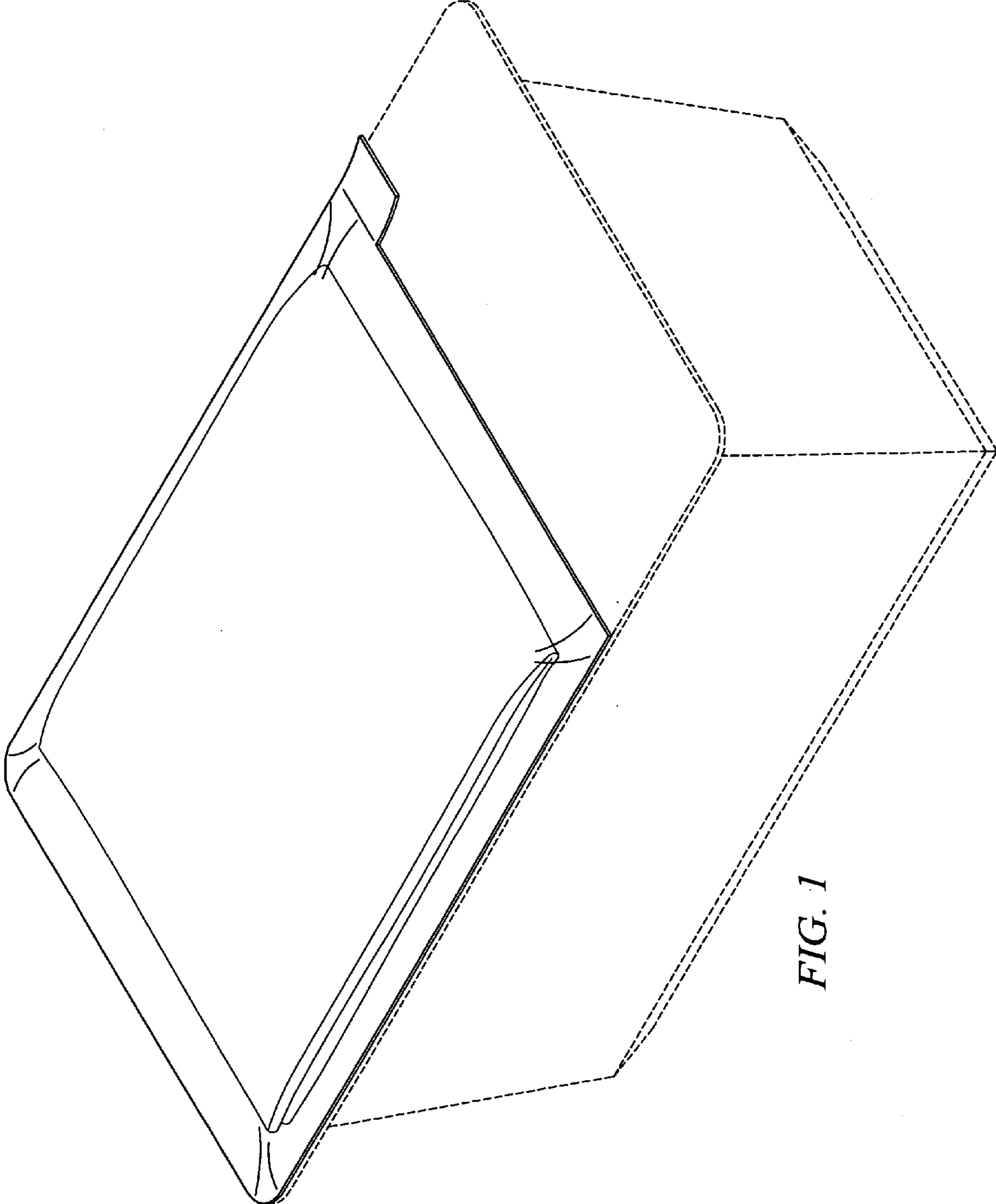
(56) **References Cited**

U.S. PATENT DOCUMENTS

860,264 A \* 7/1907 Stevens ..... 206/5  
2,507,842 A \* 5/1950 Waddill ..... 224/560  
3,749,237 A \* 7/1973 Dorton ..... 206/438  
5,290,104 A \* 3/1994 Sengewald ..... 383/25  
D627,167 S \* 11/2010 Kittrell ..... D3/299

**1 Claim, 6 Drawing Sheets**





*FIG. 1*

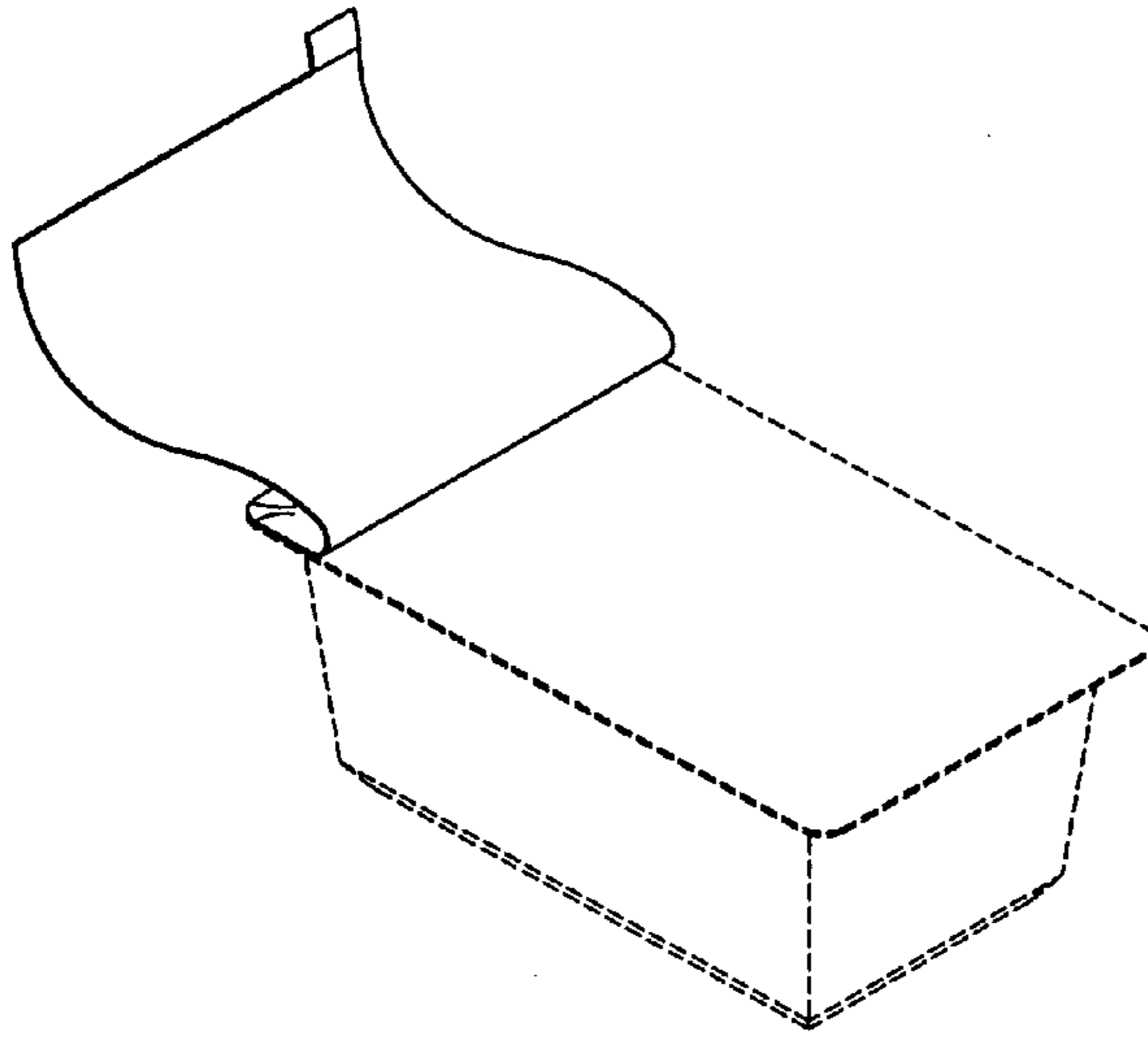
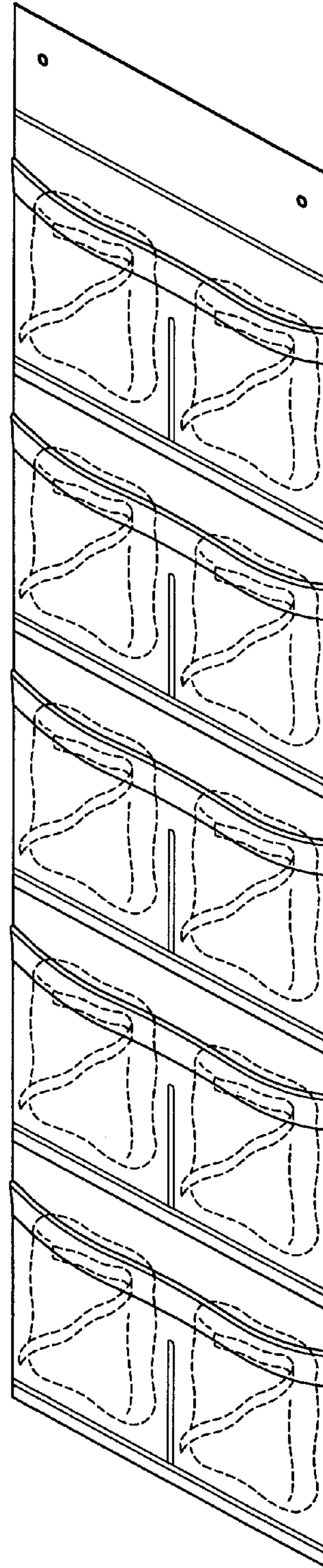


FIG. 2



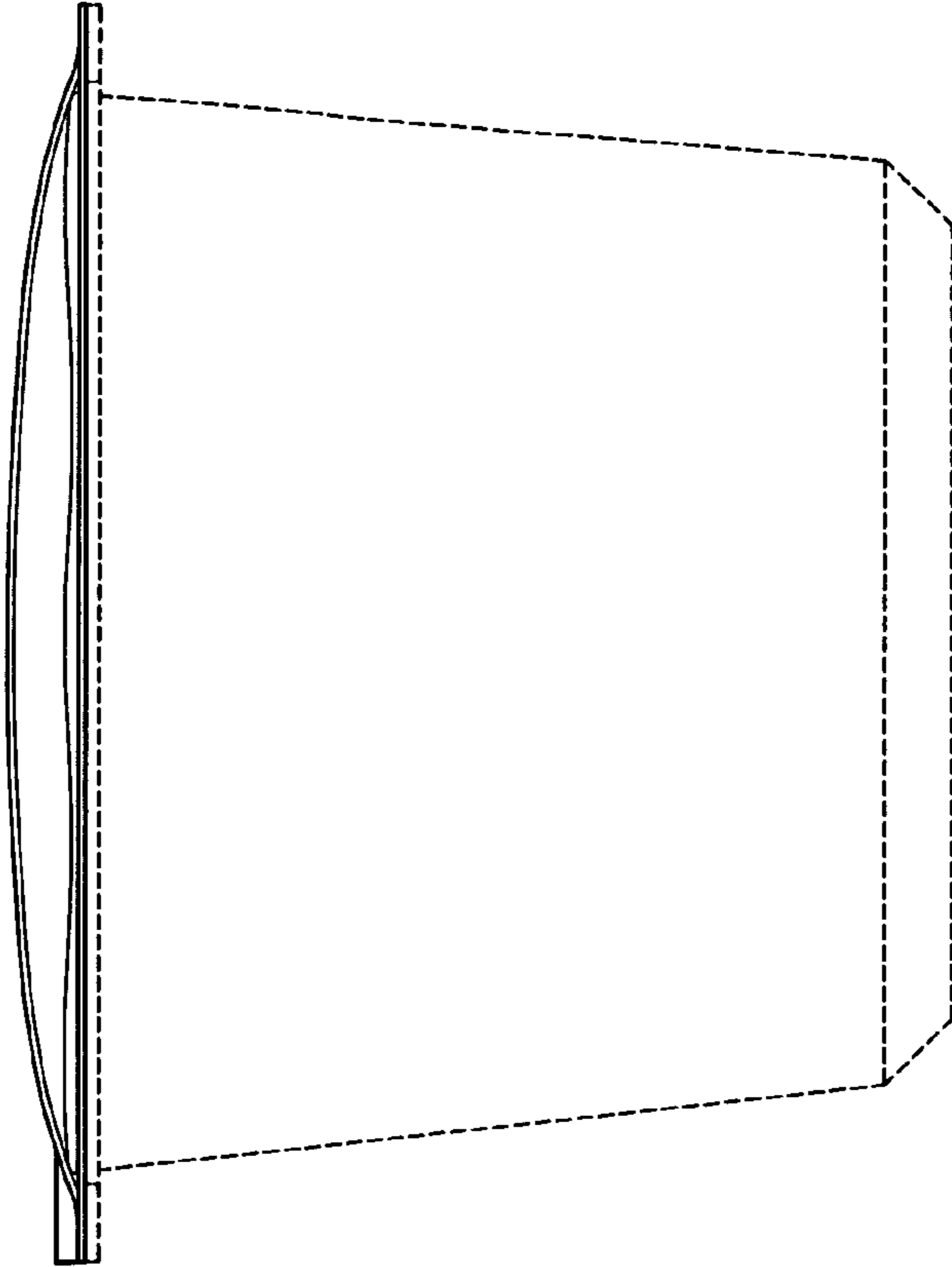


FIG. 4

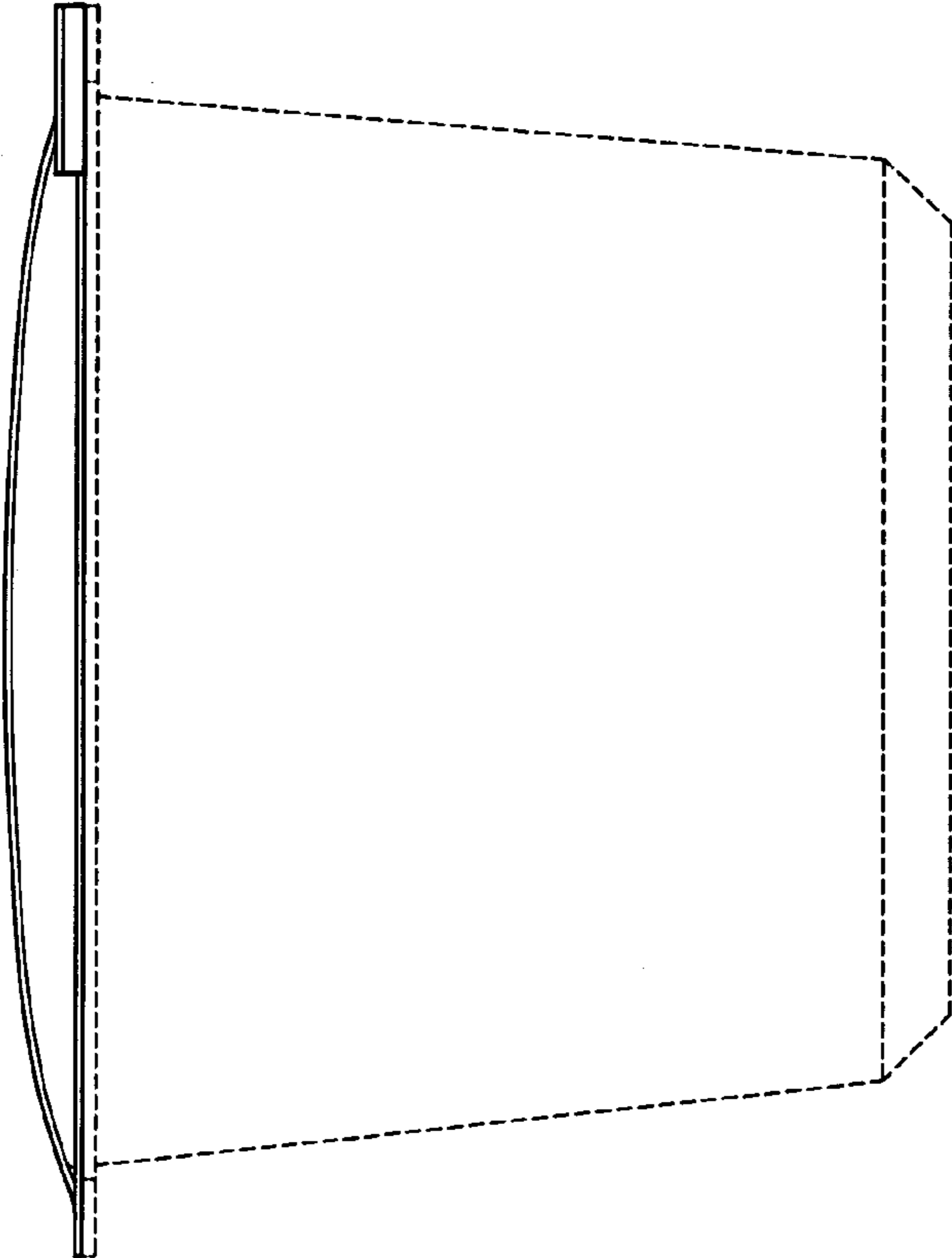


FIG. 3

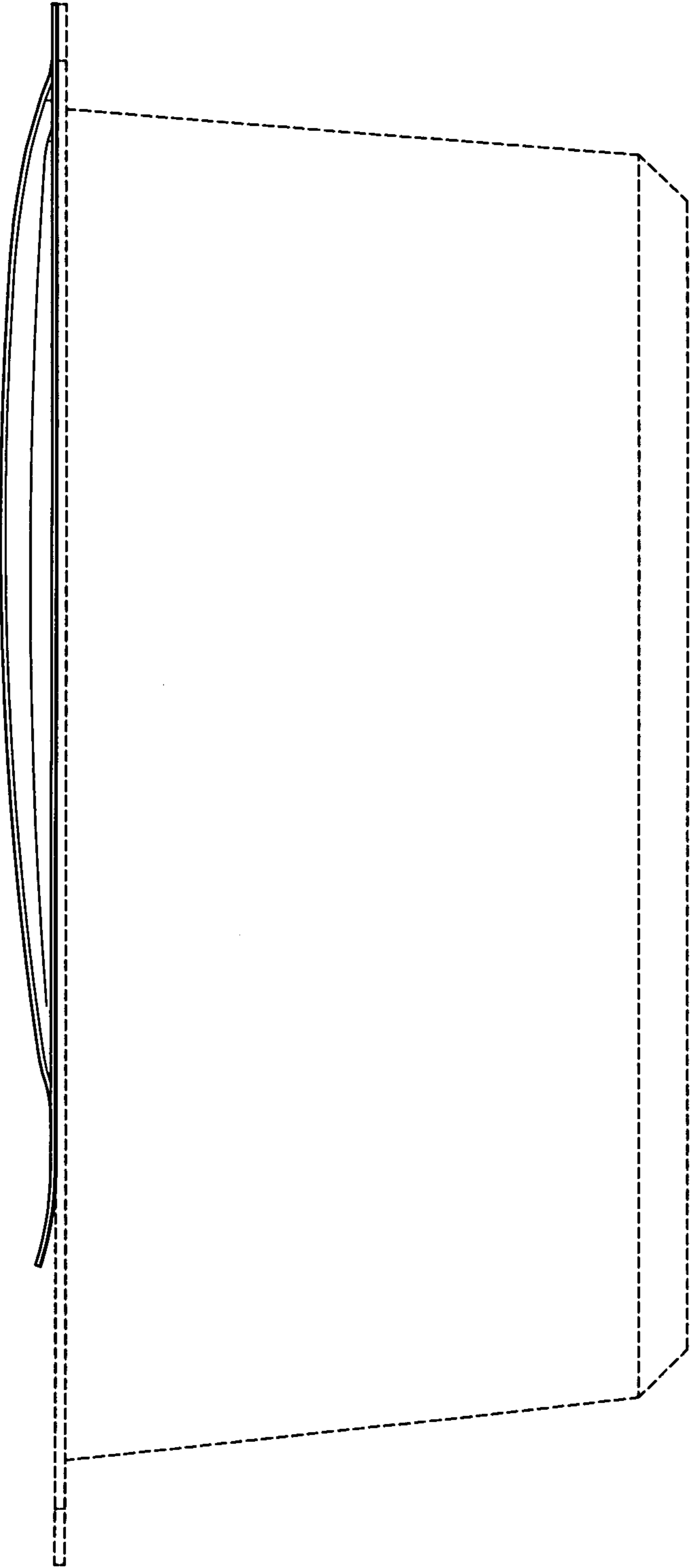


FIG. 5

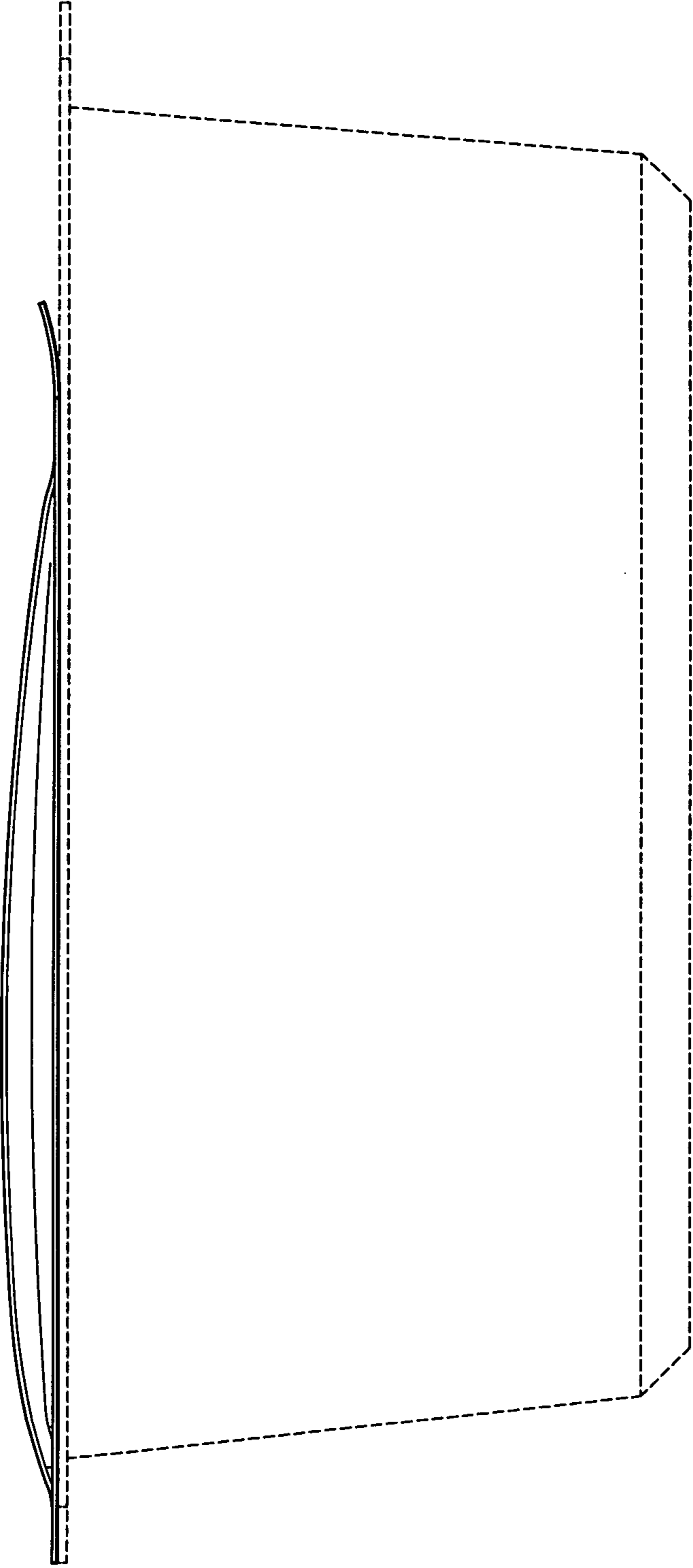


FIG. 6

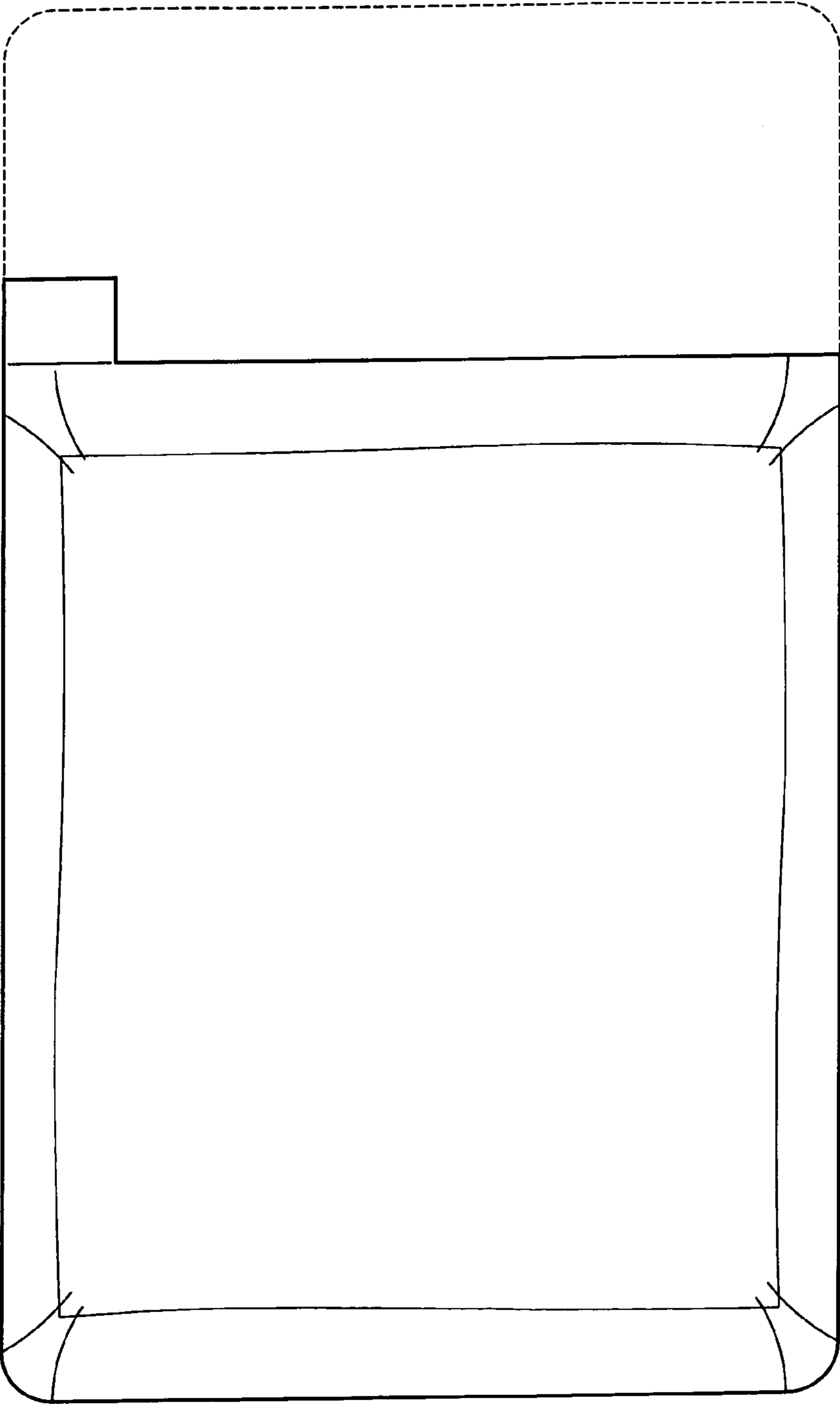


FIG. 7