



US00D764160S

(12) **United States Design Patent** (10) **Patent No.:** **US D764,160 S**
Diamond (45) **Date of Patent:** **** Aug. 23, 2016**

(54) **SOCCER BALL CANE TIP**
(71) Applicant: **Drive Medical Design & Manufacturing**, Port Washington, NY (US)
(72) Inventor: **Harvey Diamond**, Armonk, NY (US)
(73) Assignee: **Drive Medical Design & Manufacturing**, Port Washington, NY (US)
(**) Term: **14 Years**
(21) Appl. No.: **29/504,118**
(22) Filed: **Oct. 2, 2014**
(51) **LOC (10) Cl.** **03-03**
(52) **U.S. Cl.**
USPC **D3/17**
(58) **Field of Classification Search**
USPC D3/17, 6, 10, 9, 7; D34/11, 15; D7/334, D7/515, 360, 707, 710, 606; D21/713; D8/38; D14/501; 135/67, 77, 16; 473/373, 371; 224/148.4; 16/42 R
CPC A61H 3/00; A45B 9/04; A45B 3/00; A63B 37/0003; A45F 5/00; A47B 91/06
See application file for complete search history.

D413,598 S * 9/1999 Cheung D14/501
D416,770 S * 11/1999 Thorpe D7/710
D417,068 S * 11/1999 Swercheck et al. D3/7
D419,387 S * 1/2000 Hansen D7/606
D554,851 S * 11/2007 Carroll D3/6
D555,892 S 11/2007 Carroll

(Continued)

FOREIGN PATENT DOCUMENTS

CN 358866 * 11/2006
JP 1408860 * 3/2011

OTHER PUBLICATIONS

Orre Nickel—Plated Soccer Ball Cane, Announced Aug. 6, 2010, [Site Visited May 27, 2015]http://www.canemart.com/p/811-020-00/nickelplated_knob_soccer_ball_cane.html.*

(Continued)

Primary Examiner — John Windmuller
Assistant Examiner — Luqman McNeil
(74) *Attorney, Agent, or Firm* — Carter, DeLuca, Farrell & Schmidt, LLP

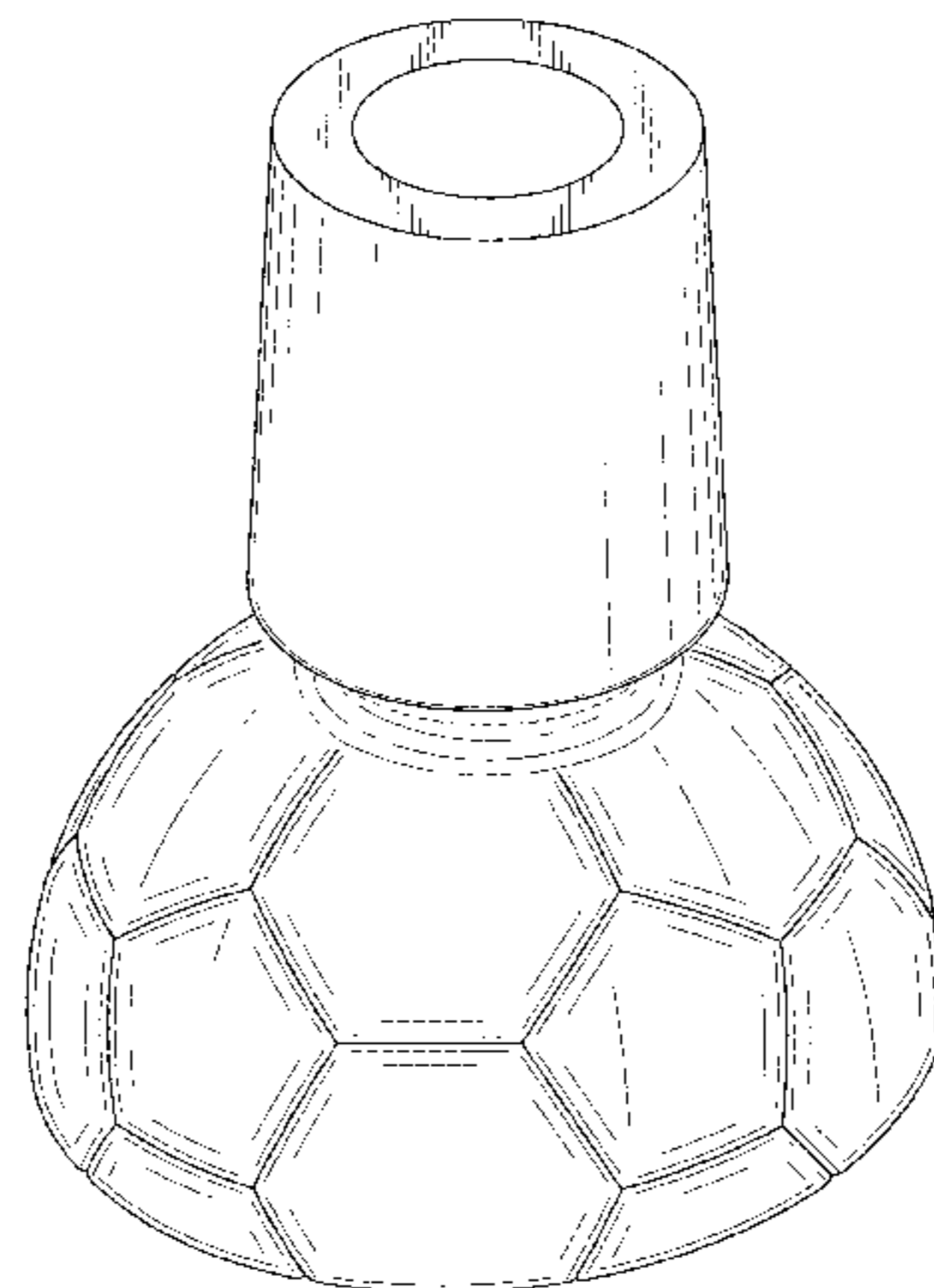
(57) **CLAIM**
The ornamental design for a soccer ball cane tip, as shown and described.

DESCRIPTION

FIG. 1 is a perspective view of a soccer ball cane tip of the new design;
FIG. 2 is a front elevational view thereof;
FIG. 3 is a rear elevational view thereof;
FIG. 4 is a left side elevational view thereof;
FIG. 5 is a right side elevational view thereof;
FIG. 6 is a top plan view thereof; and,
FIG. 7 is a bottom plan view thereof.
The broken lines are included for the purpose of illustrating portions of the soccer ball cane tip that form no part of the claimed design.

1 Claim, 4 Drawing Sheets

(56) **References Cited**
U.S. PATENT DOCUMENTS
D222,207 S * 10/1971 Blum D3/6
D258,832 S * 4/1981 Meadows D21/707
4,339,062 A * 7/1982 Witt, Jr. 224/148.4
D272,677 S * 2/1984 Bove et al. D3/9
D283,370 S * 4/1986 Hill D3/7
D341,241 S * 11/1993 Buckley D34/15
D343,950 S 2/1994 Just
5,301,703 A 4/1994 Kahn
5,476,113 A * 12/1995 Lin et al. 135/16
5,485,862 A 1/1996 Kahn
5,707,303 A 1/1998 Berkowitz et al.
D408,126 S * 4/1999 Hunnicutt et al. D3/7



(56)

References Cited

U.S. PATENT DOCUMENTS

D563,149 S * 3/2008 Henry D7/334
D564,171 S * 3/2008 Gianfrisco D34/11
D593,745 S * 6/2009 Stanec D3/10
D594,703 S * 6/2009 Sax et al. D7/515
D618,493 S * 6/2010 Li D7/360
7,882,848 B2 * 2/2011 Diamond 135/77
D634,380 S * 3/2011 Walling et al. D21/713
D644,078 S * 8/2011 Moman D8/38
D652,616 S * 1/2012 Browne, Jr. D3/10

D665,991 S 8/2012 Slayton et al.
2006/0053587 A1 * 3/2006 Chase 16/42 R
2006/0272691 A1 * 12/2006 DeLesline 135/67
2013/0316851 A1 * 11/2013 Sajima et al. 473/373
2015/0011330 A1 * 1/2015 Ishii et al. 473/371

OTHER PUBLICATIONS

Wooden Soccer Ball "Bowls" —International Association of Penturners , Announced Jun. 20, 2009, [Site Visited May 27, 2015] <http://www.penturners.org/photos/index.php?n=9873>.*

* cited by examiner

FIG. 1

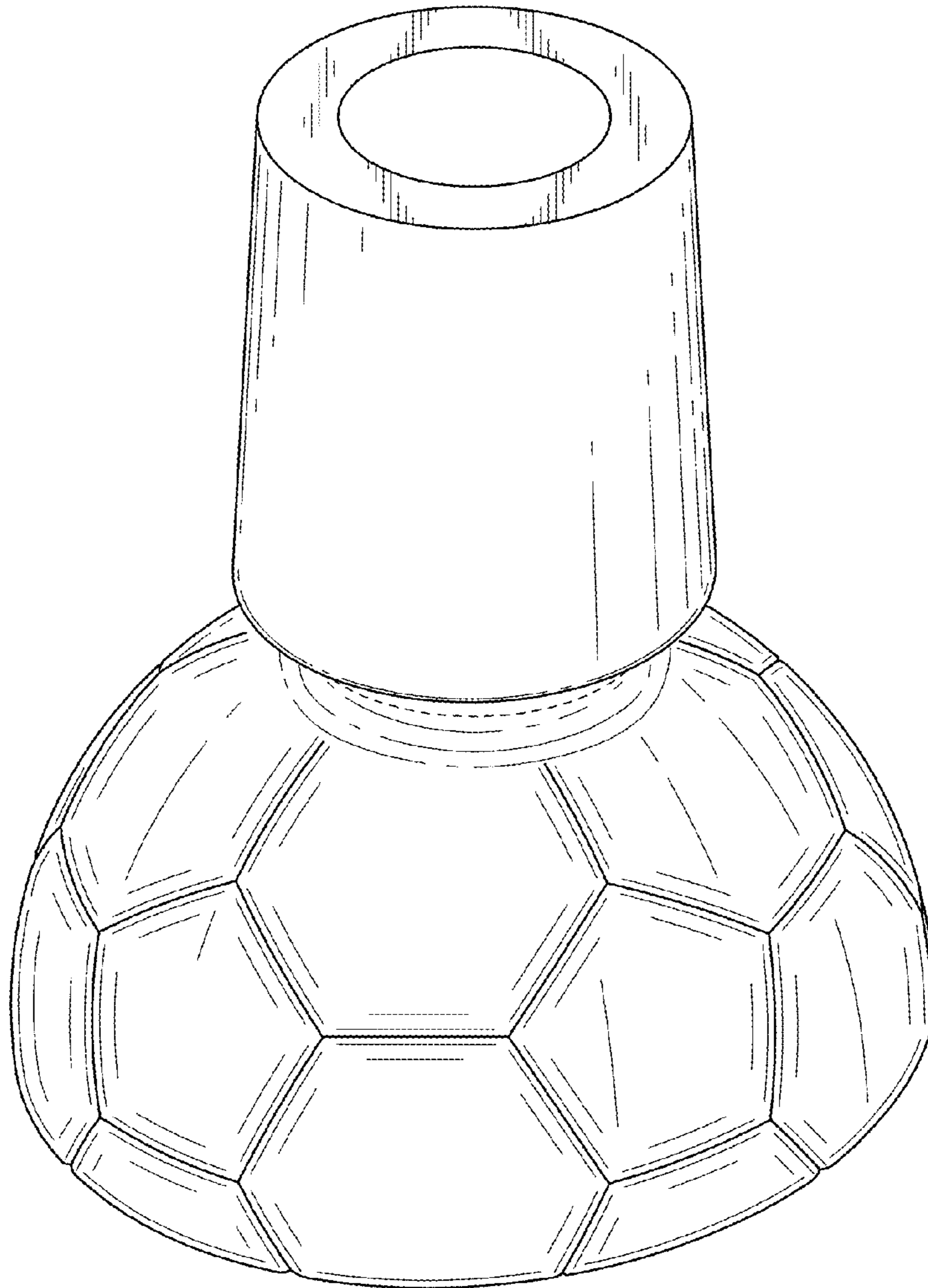


FIG. 3

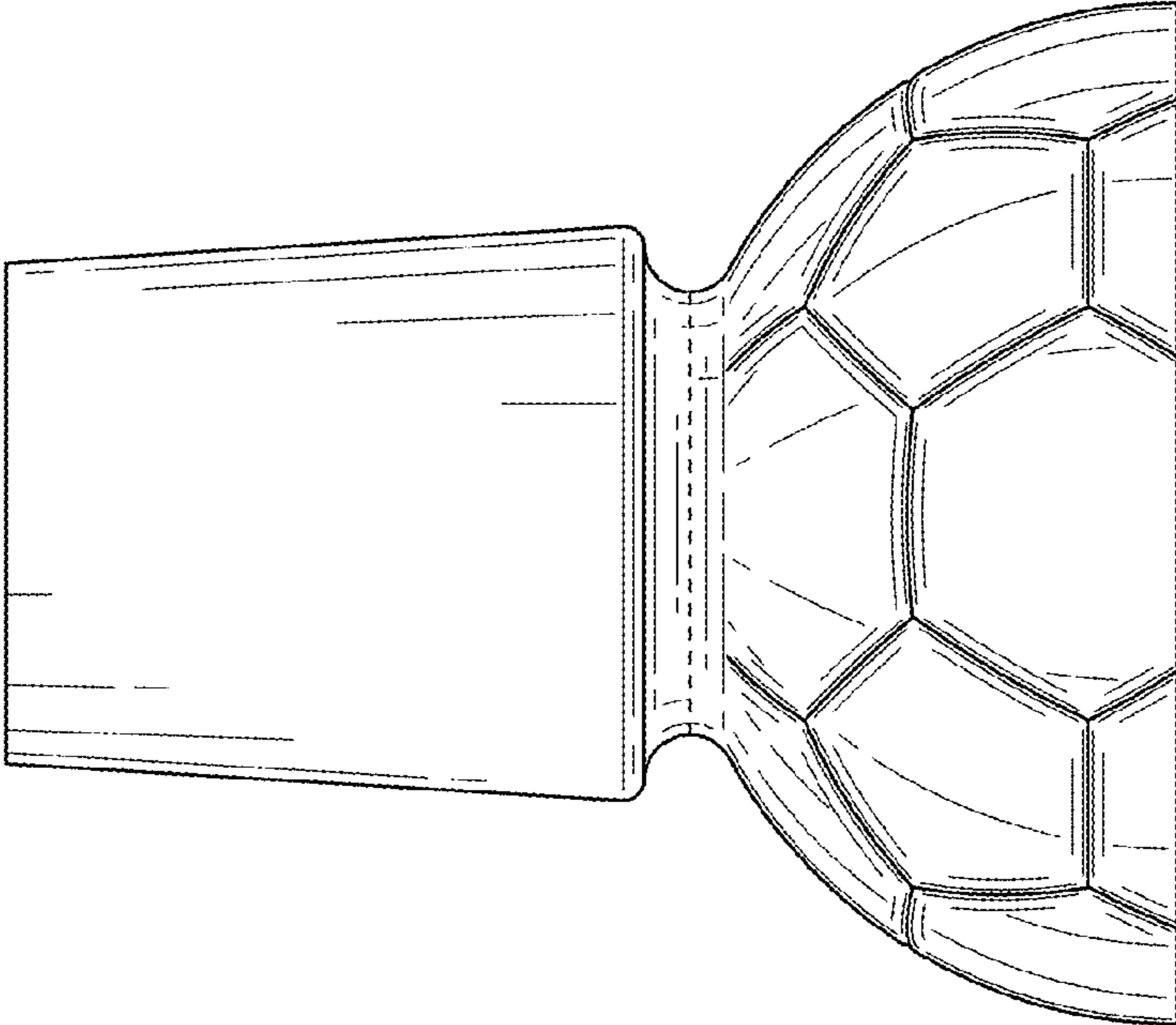


FIG. 2

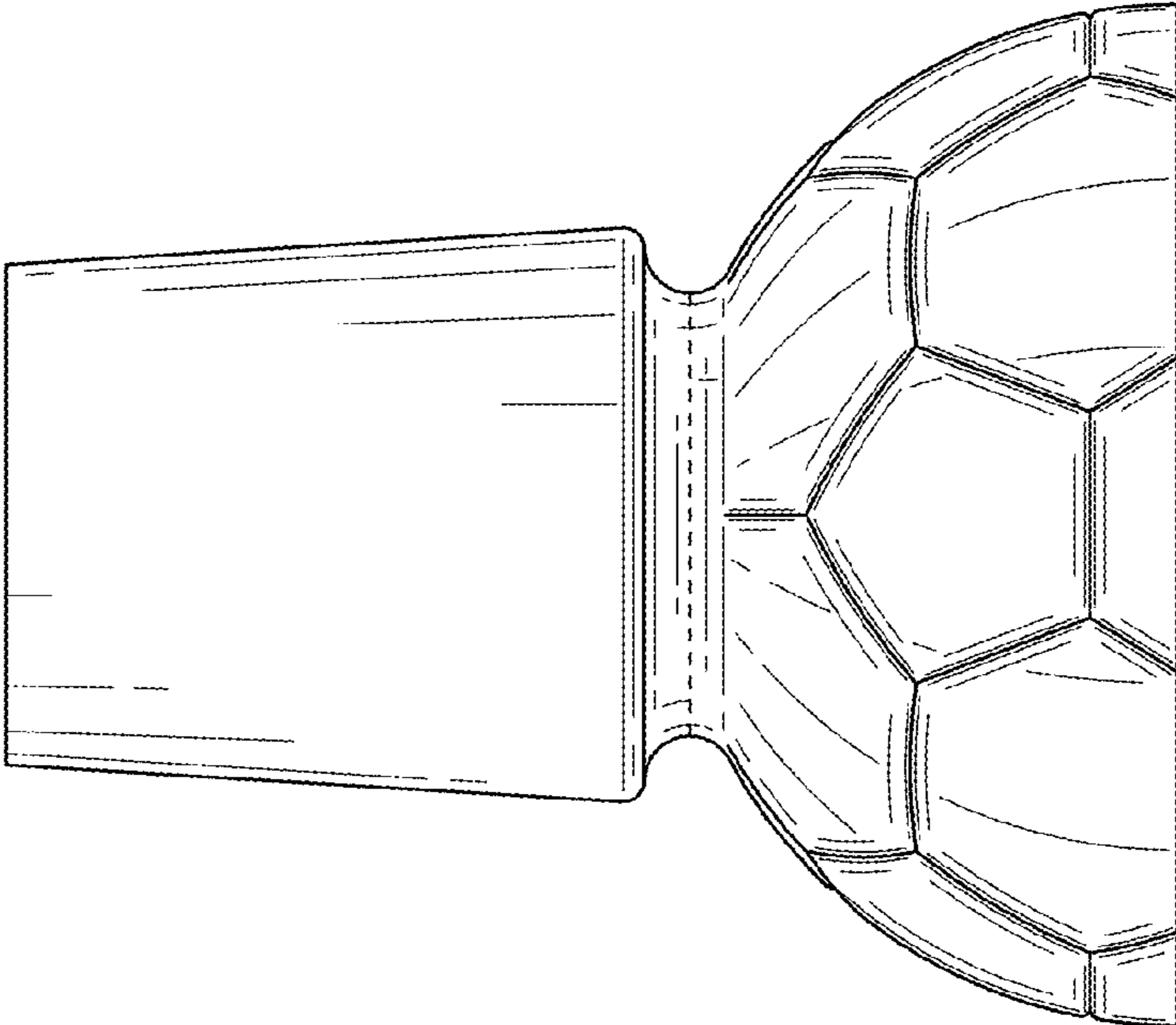


FIG. 5

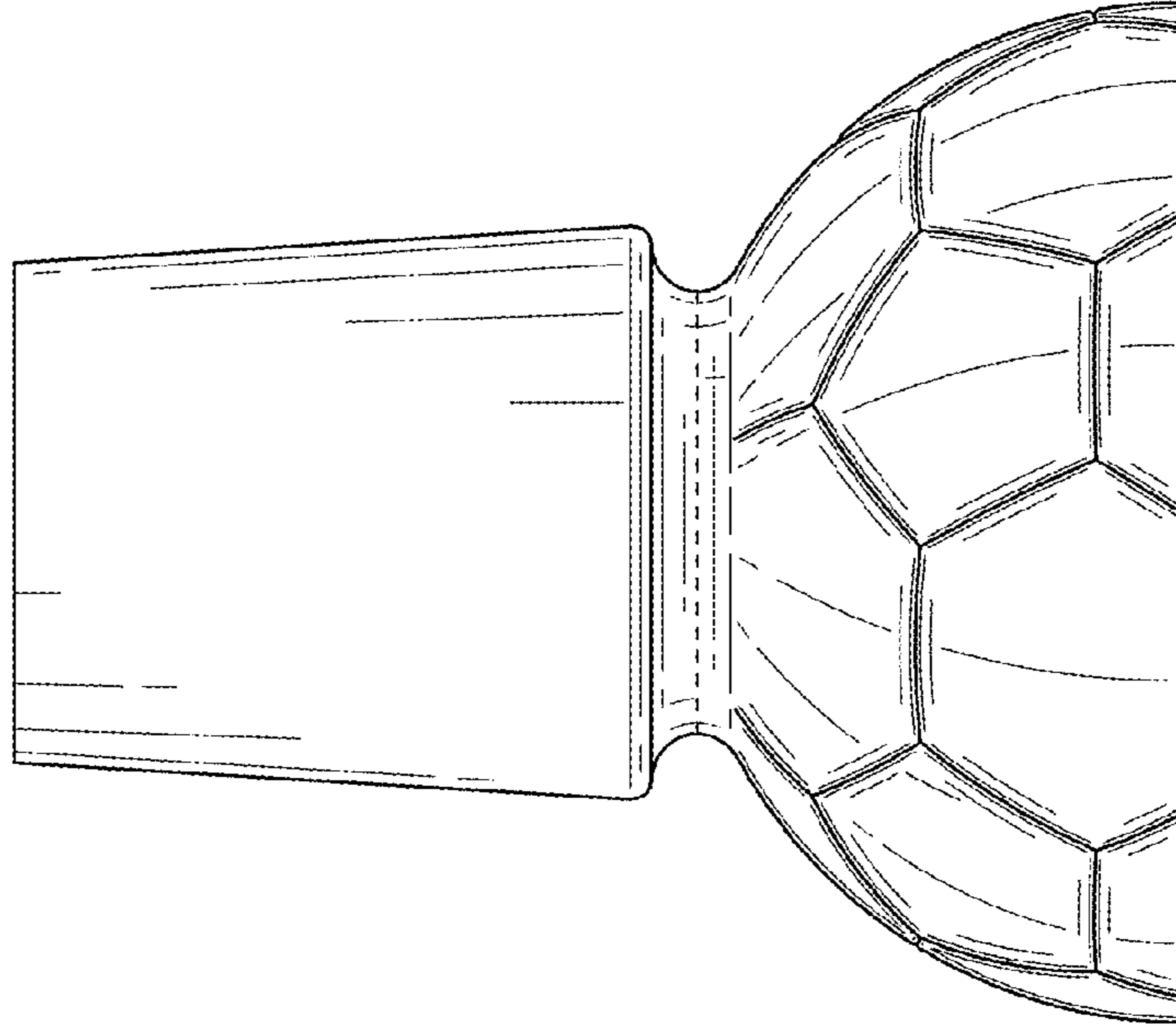


FIG. 4

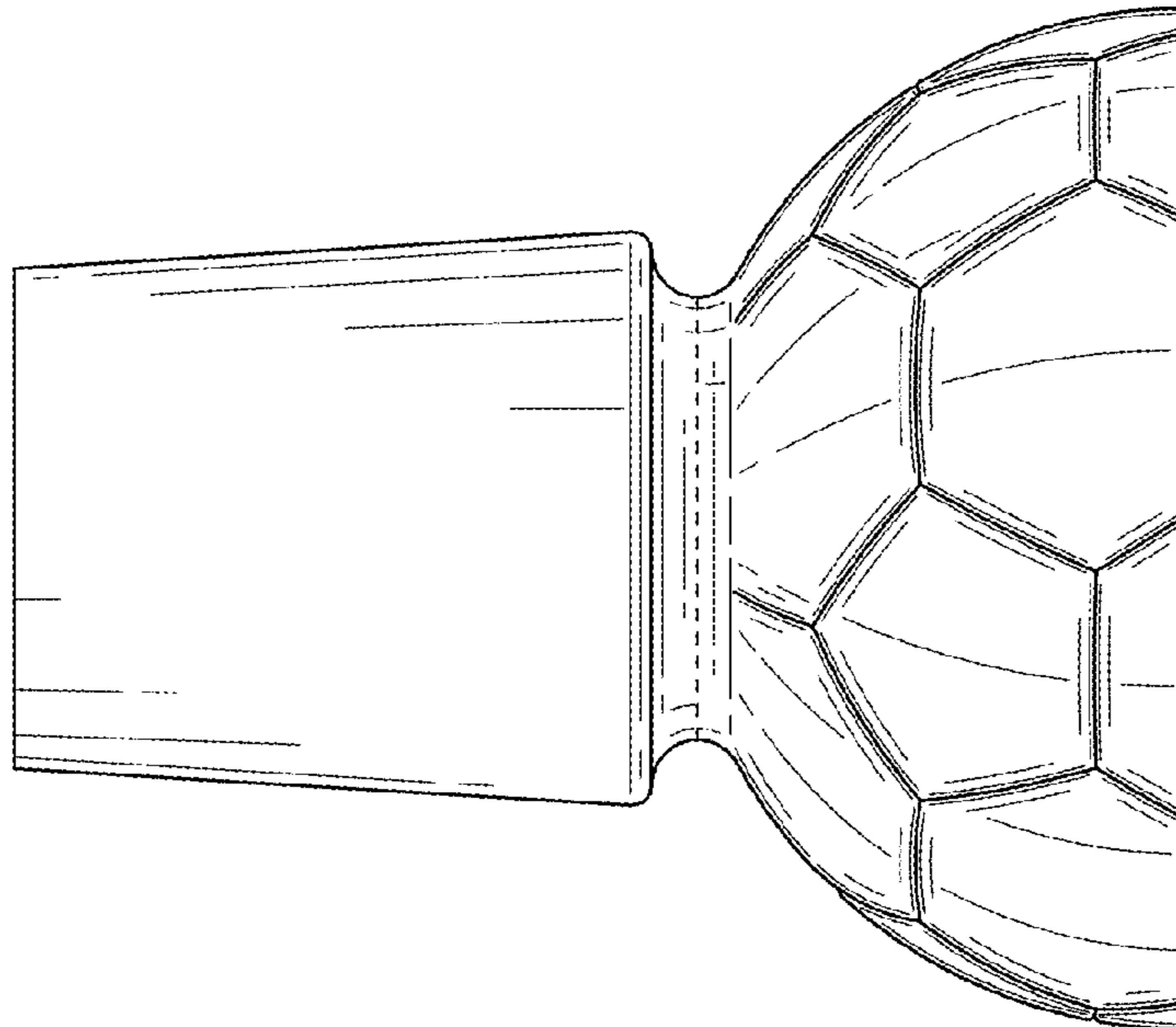


FIG. 6

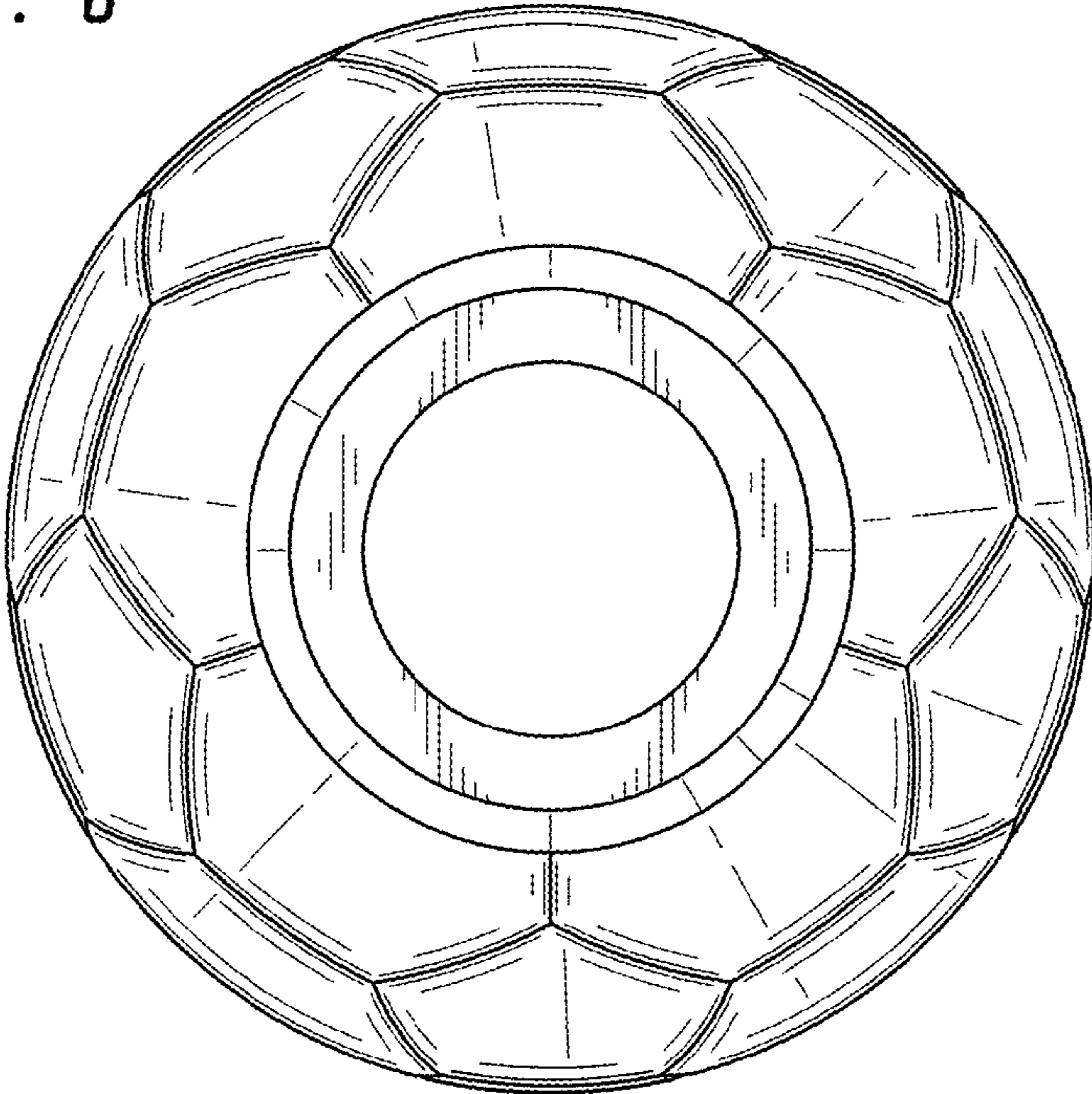


FIG. 7

