

US00D764151S

(12) **United States Design Patent**  
**Gewirz et al.**

(10) **Patent No.:** **US D764,151 S**

(45) **Date of Patent:** **\*\* Aug. 23, 2016**

- (54) **HAT WITH LENTICULAR PANEL**
- (71) Applicants: **Eric J. Gewirz**, Bethesda, MD (US);  
**Carl S. Gewirz**, Bethesda, MD (US)
- (72) Inventors: **Eric J. Gewirz**, Bethesda, MD (US);  
**Carl S. Gewirz**, Bethesda, MD (US)

- D137,932 S \* 5/1944 Kemper ..... D5/60
- 2,754,236 A \* 7/1956 Hermanson ..... B65D 65/40  
428/154
- D186,300 S \* 10/1959 Edesess ..... D5/60
- D207,487 S \* 4/1967 Briggs et al. .... D23/209
- 4,420,221 A \* 12/1983 Sparks ..... G09F 19/14  
359/626
- 4,667,274 A \* 5/1987 Daniel ..... F21L 11/00  
2/209.13

- (\*\*) Term: **15 Years**
- (21) Appl. No.: **29/547,992**
- (22) Filed: **Dec. 9, 2015**

(Continued)

*Primary Examiner* — Karen E Eldridge Powers  
*Assistant Examiner* — Jasmine Mlinarcik  
(74) *Attorney, Agent, or Firm* — Dale J. Ream

**Related U.S. Application Data**

- (63) Continuation-in-part of application No. 29/531,701, filed on Jun. 29, 2015, now Pat. No. Des. 751,796, which is a continuation-in-part of application No. 29/526,526, filed on May 11, 2015.

- (51) **LOC (10) Cl.** ..... **02-03**
- (52) **U.S. Cl.**  
USPC ..... **D2/891**

- (58) **Field of Classification Search**  
USPC ..... D2/865, 866, 867, 868, 869, 870, 871,  
D2/872, 873, 874, 875, 876, 878, 879, 880,  
D2/881, 882, 883, 884, 885, 886, 887, 889,  
D2/890, 891, 892, 893, 894, 895; D5/4,  
D5/54, 58, 60, 61, 64, 99; D25/138  
CPC ..... A42B 1/00; A42B 1/004; A42B 1/006;  
A42B 1/04; A42B 1/06; A42B 1/062; A42B  
1/064; A42B 1/205; A42B 1/24; A42B 1/244;  
A42B 1/245; A42B 1/248; A42C 5/00;  
B41M 3/00; B41M 3/005; B41M 3/06;  
B41M 3/16; B41M 1/00; B41M 1/14; B41M  
1/40; G09F 19/12; G09F 19/14  
See application file for complete search history.

(56) **References Cited**

**U.S. PATENT DOCUMENTS**

- D16,637 S \* 4/1886 Mankey ..... D5/99
- D23,838 S \* 12/1894 Morgan ..... D5/60
- 946,407 A \* 1/1910 Spiegel ..... B42D 15/042  
40/445

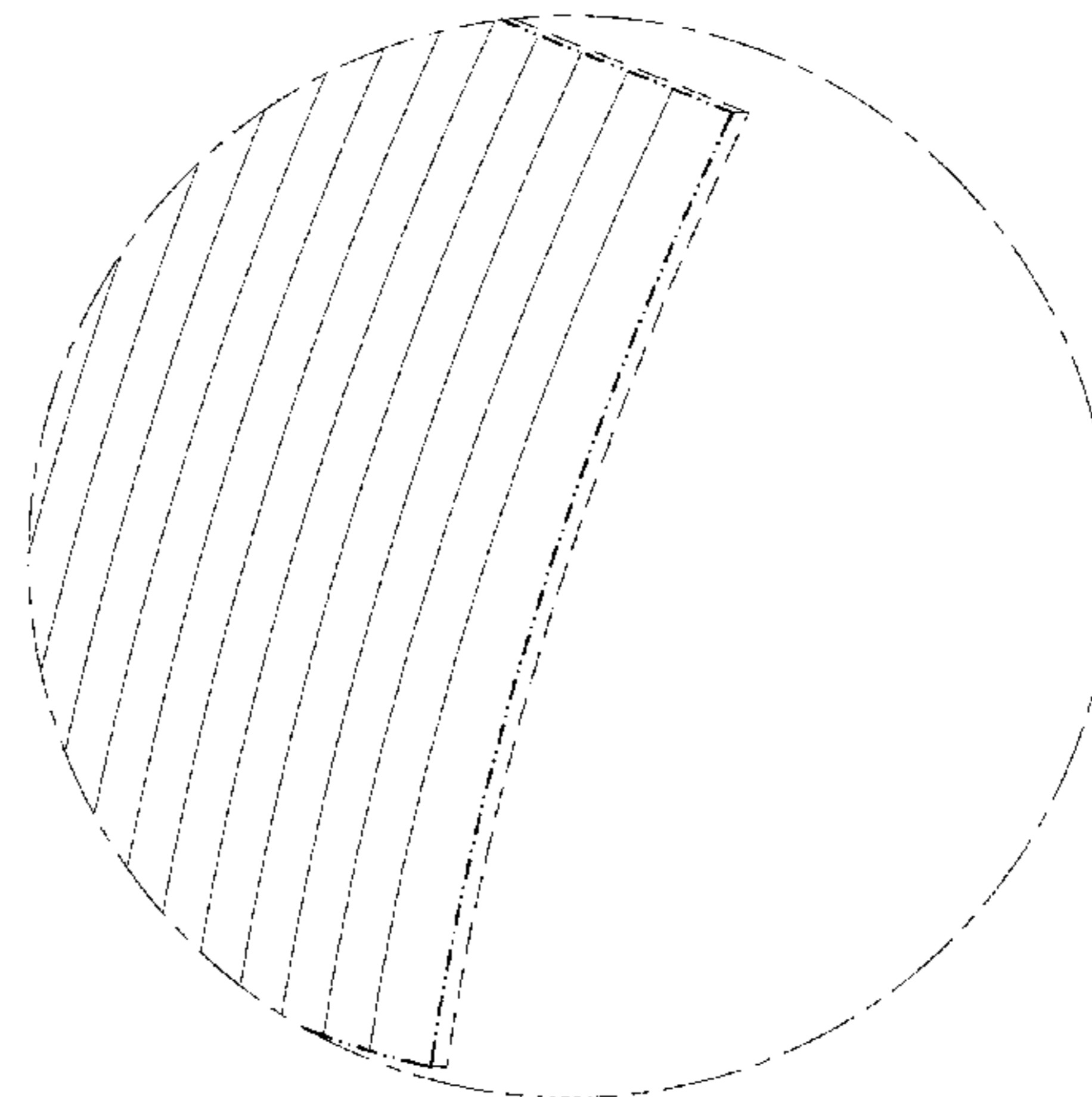
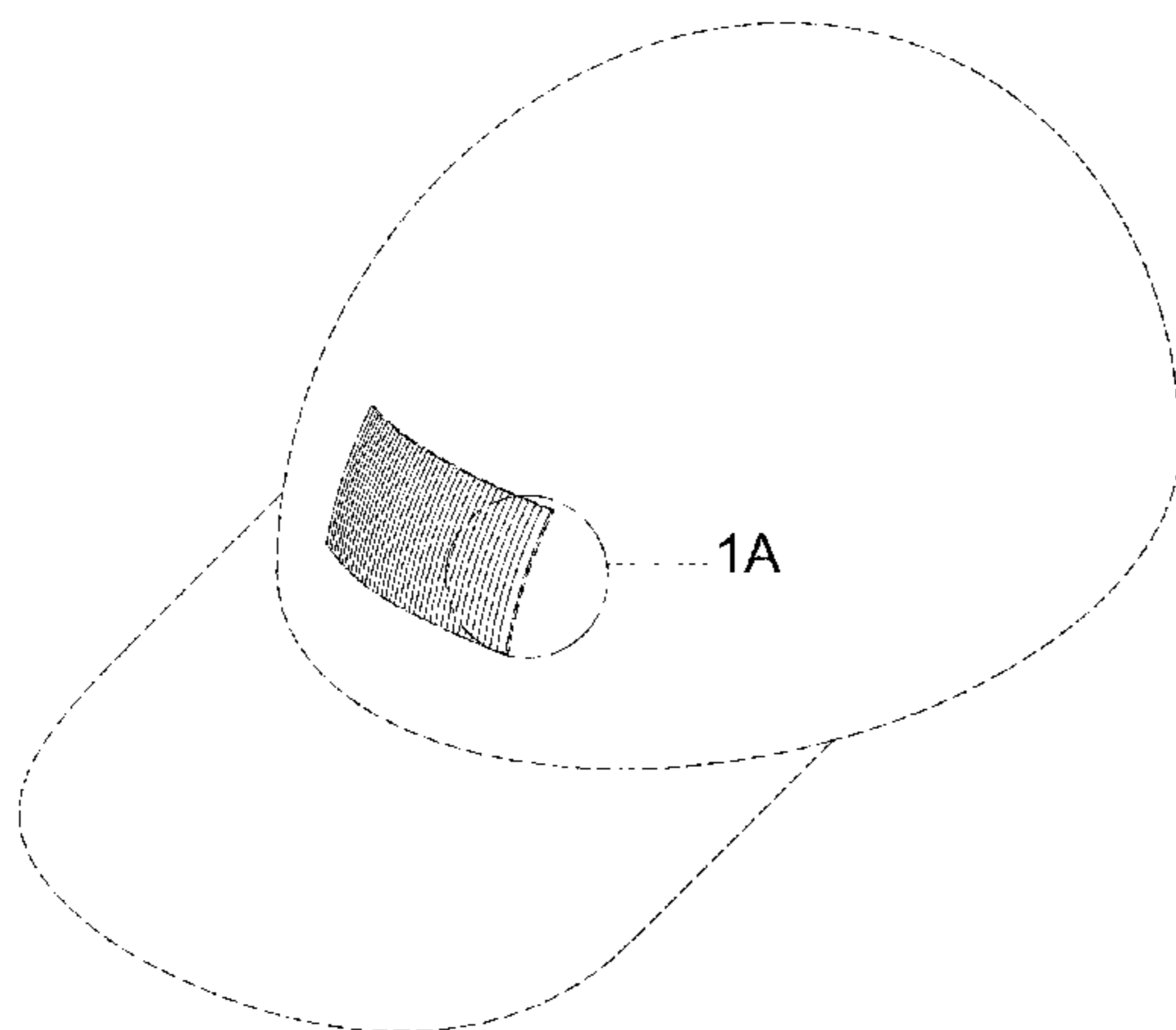
(57) **CLAIM**

The ornamental design for a hat with lenticular panel, as shown and described.

**DESCRIPTION**

FIG. 1 is a perspective view of a hat with lenticular panel showing our new design;  
FIG. 1A is an isolated view on an enlarged scale taken from FIG. 1;  
FIG. 2 is a front elevation view thereof;  
FIG. 2A is an isolated view on an enlarged scale taken from FIG. 2;  
FIG. 3 is a back elevation view thereof;  
FIG. 4 is a left side elevation view thereof;  
FIG. 4A is an isolated view on an enlarged scale taken from FIG. 4;  
FIG. 5 is a right side elevation view thereof;  
FIG. 5A is an isolated view on an enlarged scale taken from FIG. 5;  
FIG. 6 is a top plan view thereof;  
FIG. 6A is an isolated view on an enlarged scale taken from FIG. 6; and,  
FIG. 7 is a bottom plan view thereof.  
In the drawings, the broken lines represent environmental structure that forms no part of the claimed design. Likewise, the dash-dot-dot lines represent a boundary line that forms no part of the claimed design.

**1 Claim, 12 Drawing Sheets**



(56)

References Cited

U.S. PATENT DOCUMENTS

4,885,193	A *	12/1989	Head	B44C 5/0446	40/453
5,100,330	A *	3/1992	Sekiguchi	A63F 3/0421	40/436
D336,969	S *	7/1993	Mullendore	D2/866	
5,359,733	A *	11/1994	Brannon	A42B 1/248	2/195.1
5,359,734	A *	11/1994	Rathburn	A42B 1/248	2/195.1
D401,738	S *	12/1998	Scerbo	D2/882	
D405,239	S *	2/1999	Kostinko	D2/882	
D407,890	S *	4/1999	Frank	D2/866	
5,967,032	A *	10/1999	Bravenec	B41F 17/00	101/211
D429,895	S *	8/2000	Bravenec	D16/130	
6,116,745	A *	9/2000	Yei	A42B 1/248	362/105
6,546,128	B1 *	4/2003	Uchiyama	B41C 1/14	283/117
D474,000	S *	5/2003	O'Dell	D2/882	
6,643,847	B1 *	11/2003	Dornak	A42B 1/248	2/195.1
6,943,953	B2 *	9/2005	Raymond	B44F 1/06	359/455
D513,885	S *	1/2006	Lopez	D5/60	
D521,744	S *	5/2006	Harkenrider	D5/60	
D522,253	S *	6/2006	Harkenrider	D5/60	
D529,296	S *	10/2006	Harkenrider	D5/60	
D529,297	S *	10/2006	Harkenrider	D5/60	
D536,533	S *	2/2007	Harkenrider	D5/60	
D536,534	S *	2/2007	Harkenrider	D5/60	
D536,535	S *	2/2007	Harkenrider	D5/60	
D536,877	S *	2/2007	Harkenrider	D5/60	
7,490,364	B2 *	2/2009	Kim	A42B 1/248	2/209.13
D603,585	S *	11/2009	Capriola	D2/866	
D635,336	S *	4/2011	Alger	D2/866	
7,971,377	B2 *	7/2011	Zheng	G02B 27/2214	40/437
8,006,418	B2 *	8/2011	Kobayashi	A63H 33/22	40/453
8,008,564	B2 *	8/2011	Wilens	A42B 1/245	84/600
D647,286	S *	10/2011	Malek	D2/866	
D651,810	S *	1/2012	Davis	D5/60	
8,146,744	B2 *	4/2012	Wolfe	B65D 75/36	206/462
D668,064	S *	10/2012	Franco	D5/64	
D686,350	S *	7/2013	Mussini	D25/149	
D699,928	S *	2/2014	Tien	D2/882	
8,801,207	B2 *	8/2014	Meis	G02B 3/0006	362/97.1
8,854,684	B2 *	10/2014	Zomet	G02B 3/005	358/1.6
8,964,297	B2 *	2/2015	Hoffman	B65D 33/04	359/454
D728,244	S *	5/2015	Saavedra	D5/60	
D751,796	S *	3/2016	Gewirz	D2/891	
2004/0093658	A1 *	5/2004	Jackson	A42B 1/062	2/195.1
2006/0174398	A1 *	8/2006	Proctor	A42B 1/062	2/209.13
2008/0141567	A1 *	6/2008	Chen	A42B 1/248	40/1.5
2010/0313334	A1 *	12/2010	Moy	A42B 1/248	2/209.13
2011/0116673	A1 *	5/2011	Lewis	A42B 1/245	381/376
2015/0033445	A1 *	2/2015	Warner	A42B 1/248	2/209.13
2015/0082673	A1 *	3/2015	Durant	G09F 9/00	40/446

\* cited by examiner

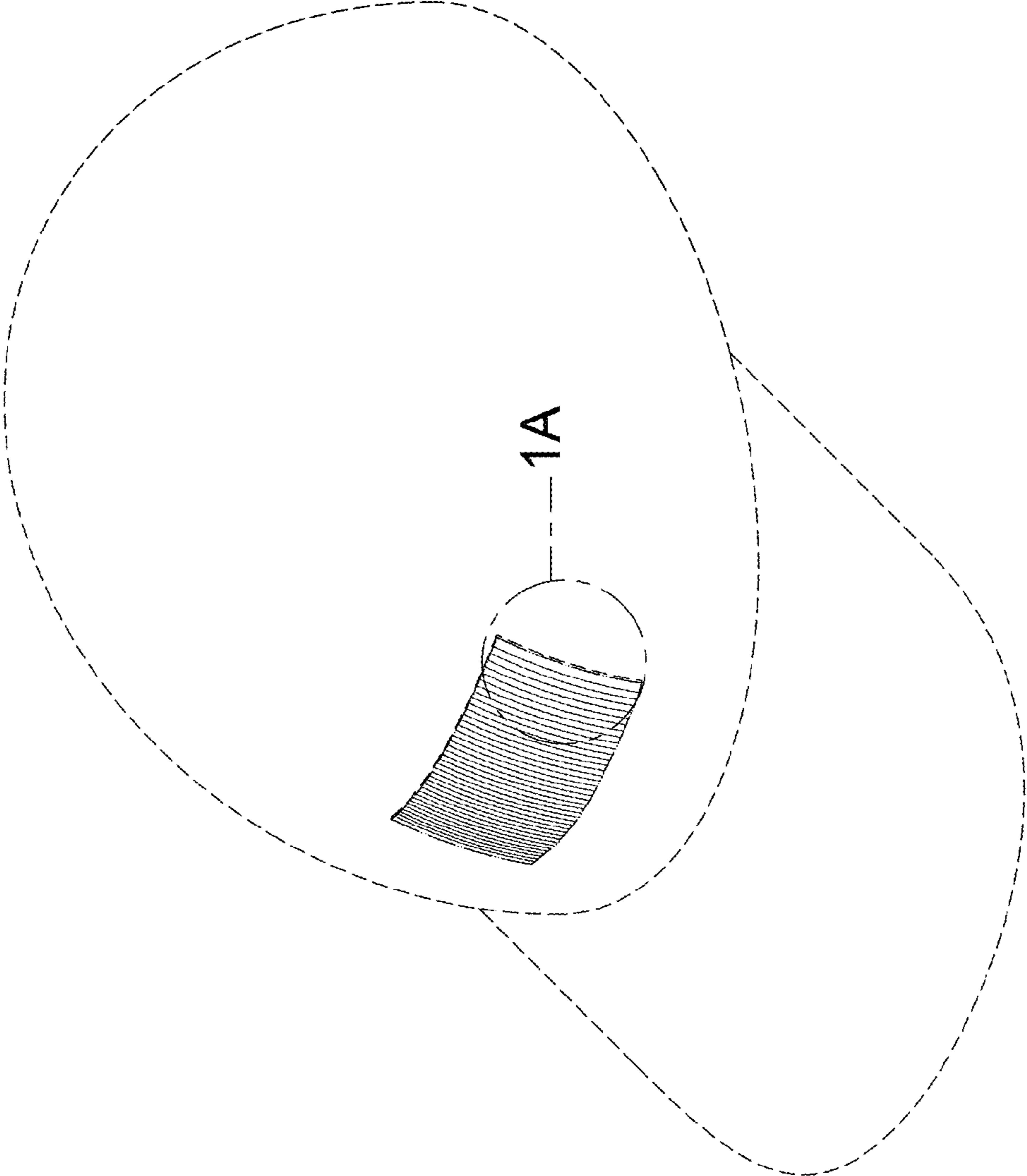


FIG. 1

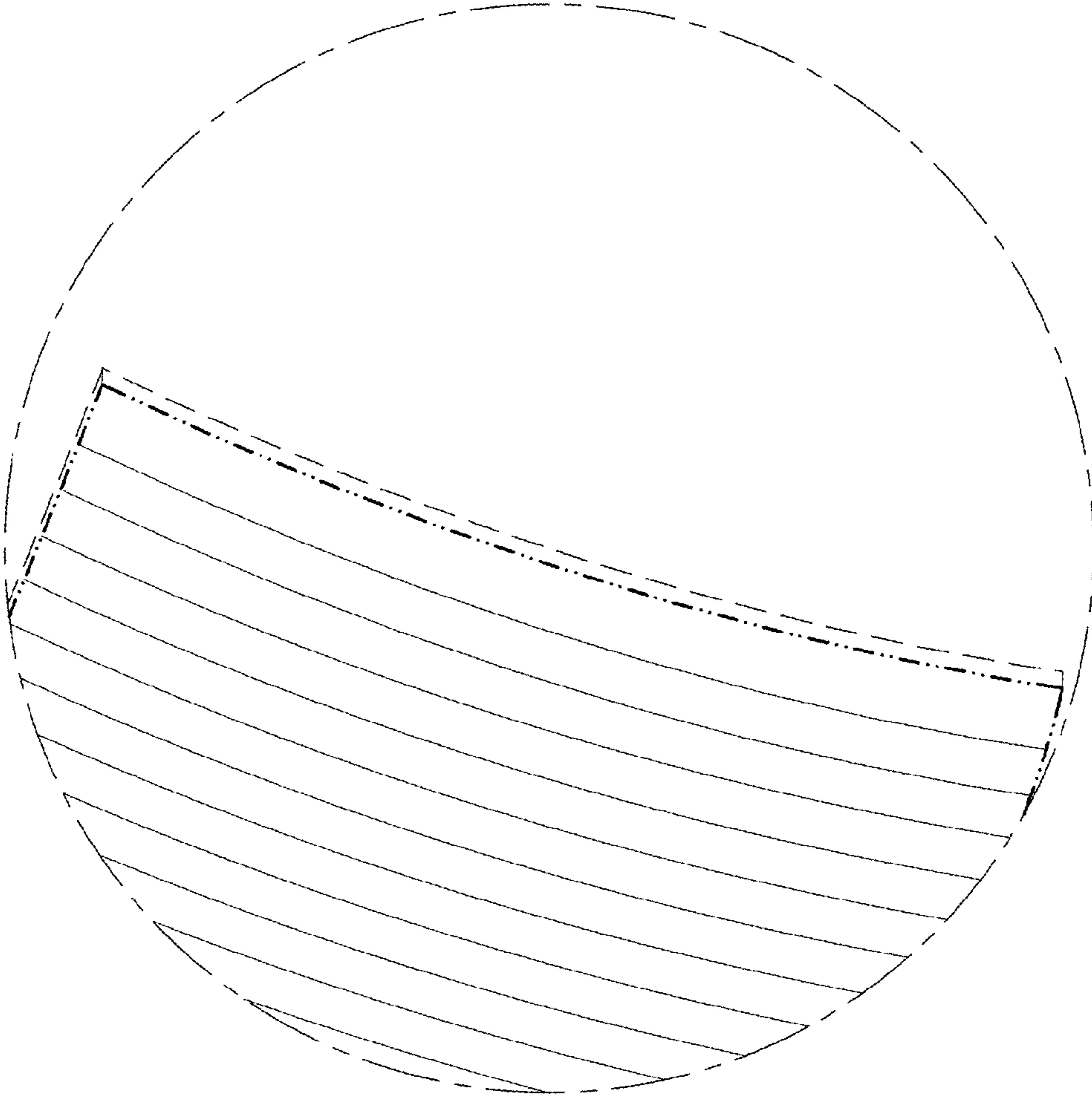


FIG. 1A

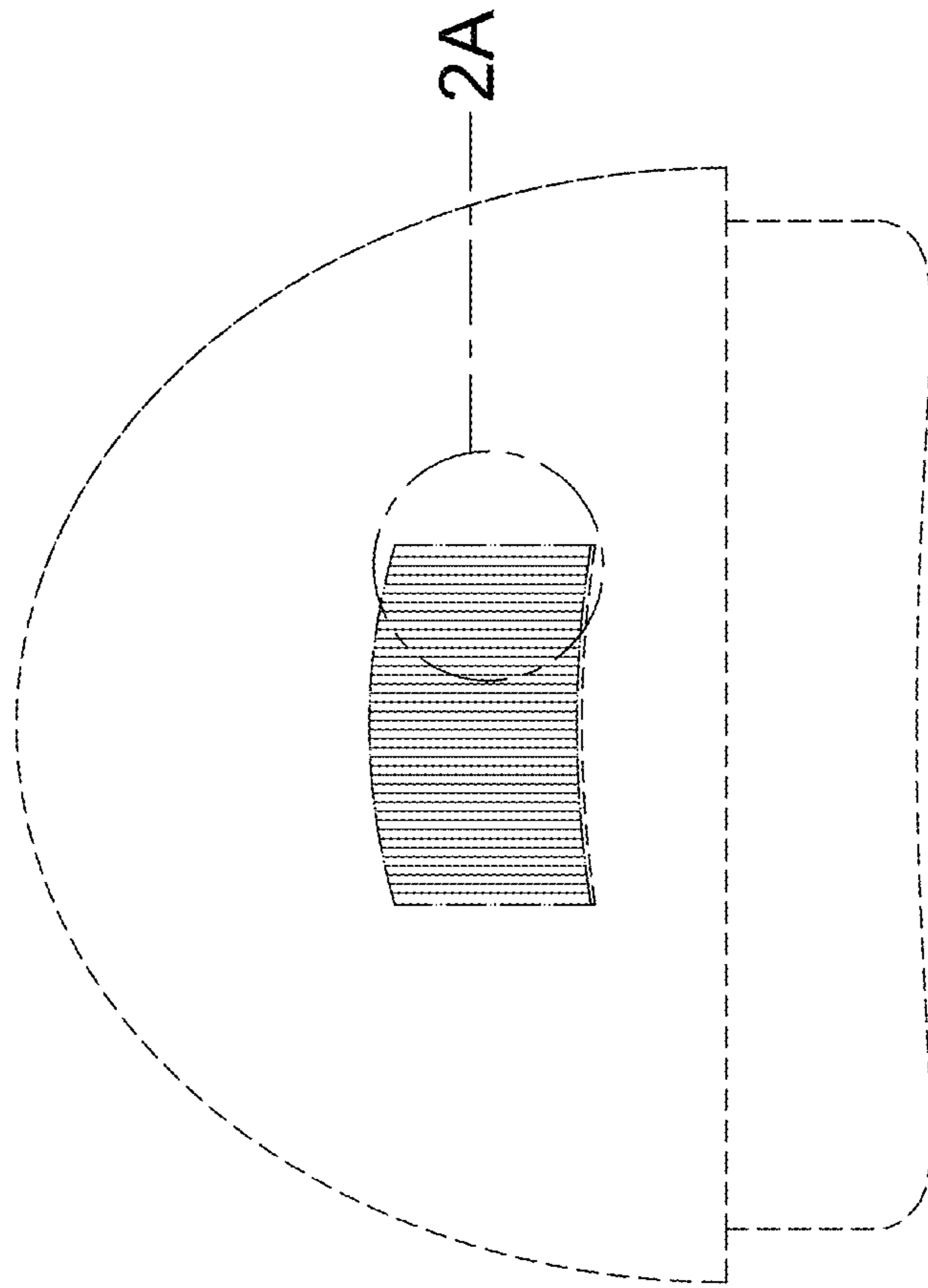


FIG. 2

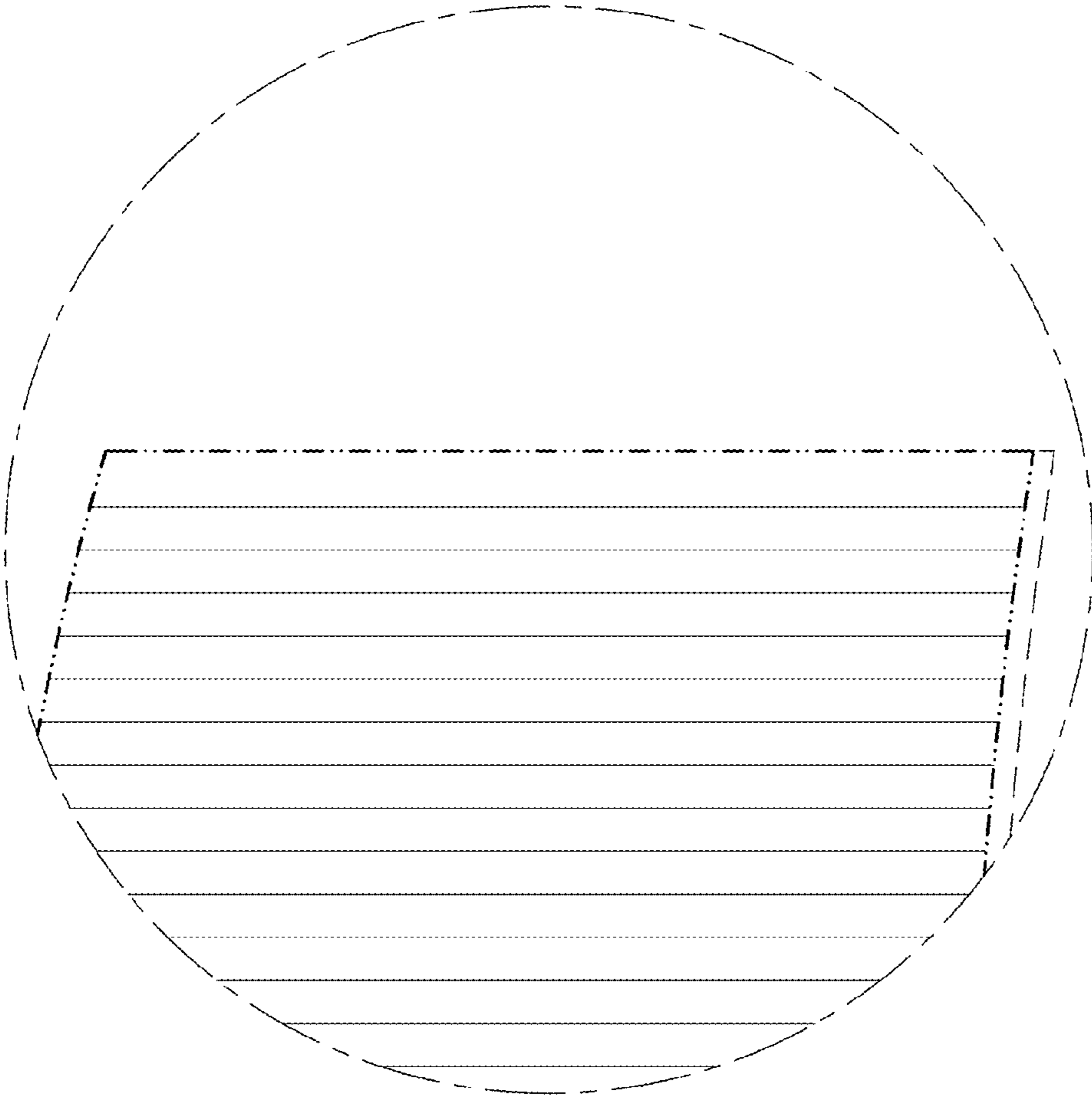


FIG. 2A

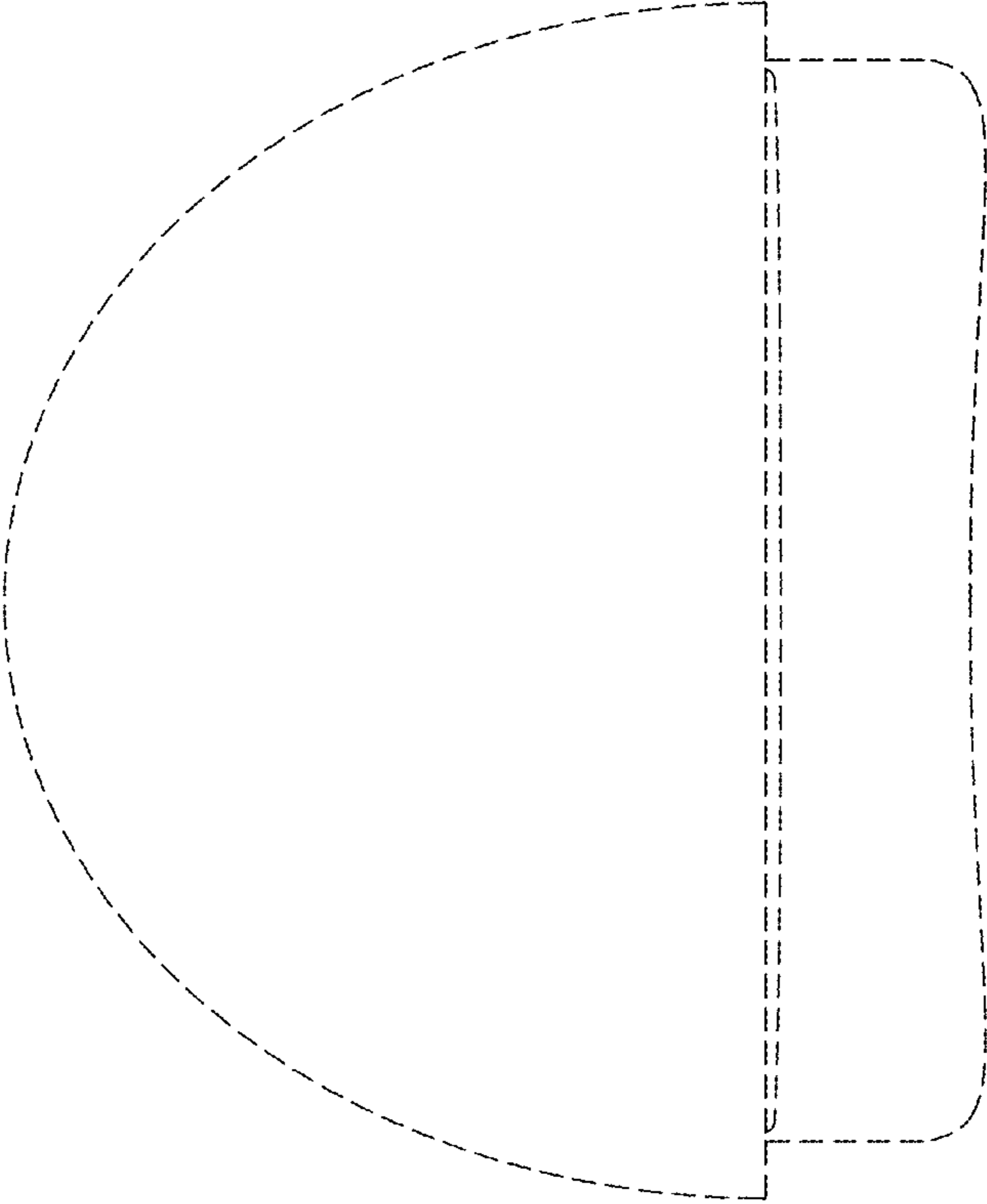


FIG. 3

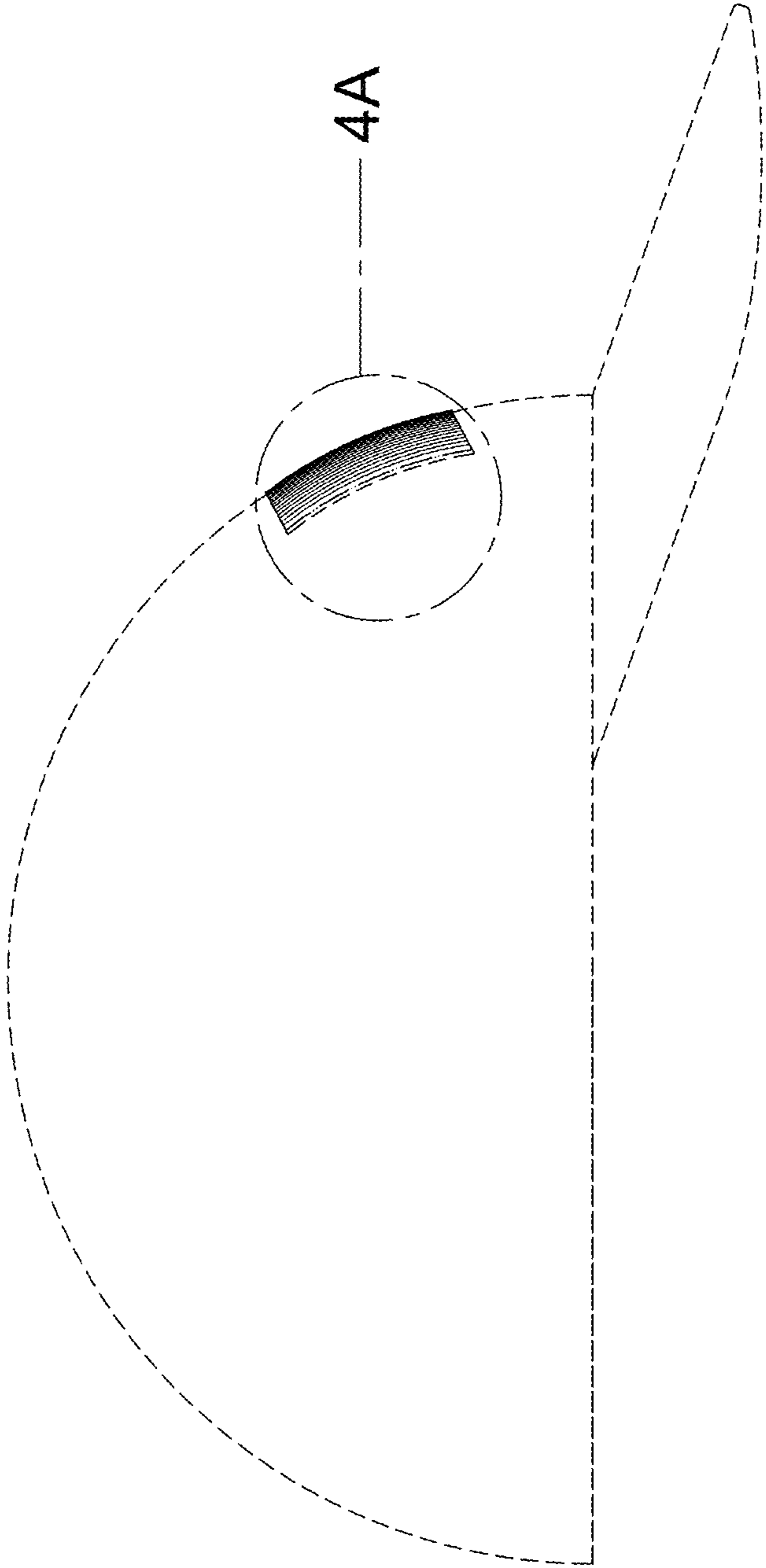


FIG. 4



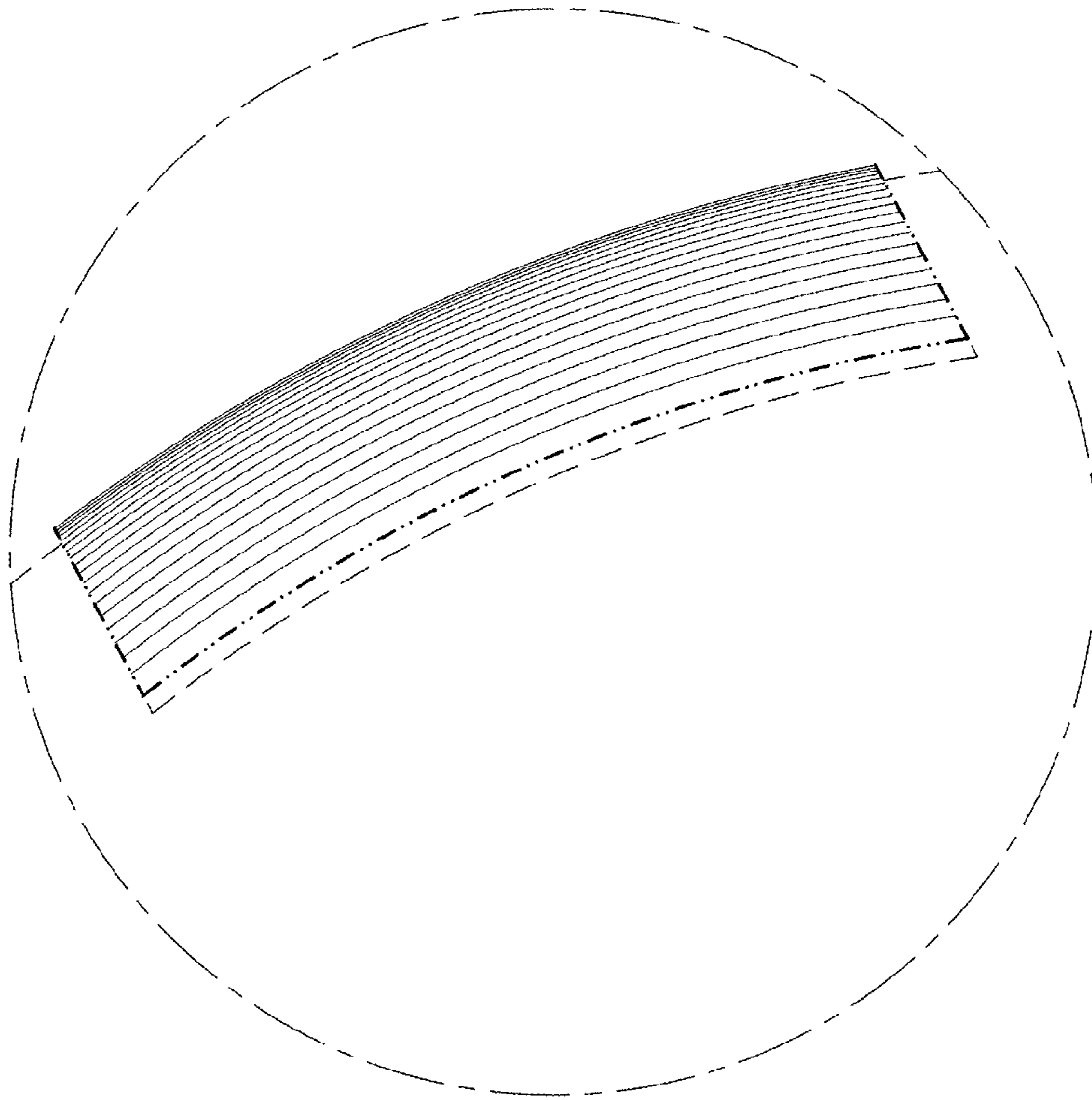


FIG. 4A

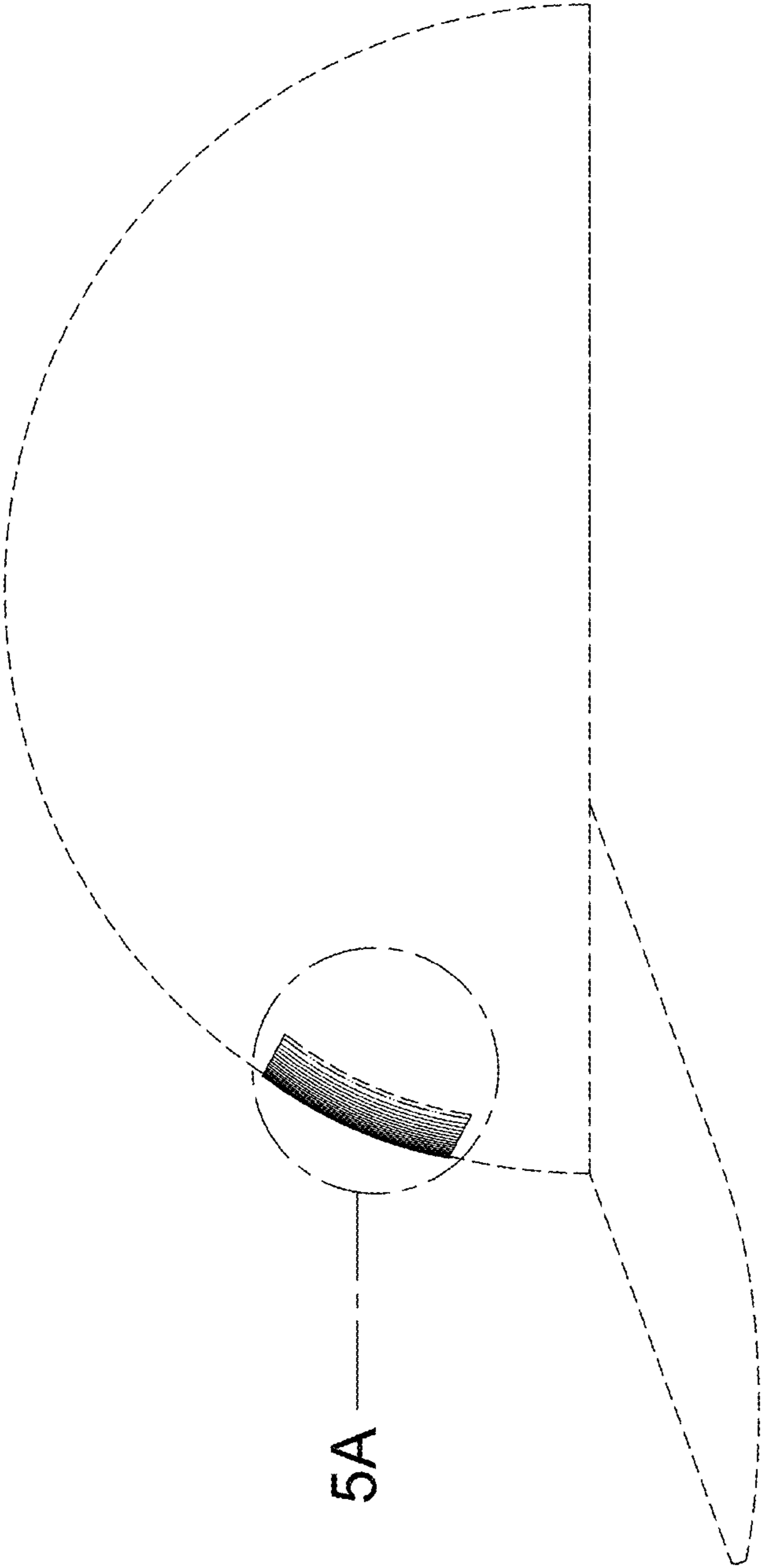


FIG. 5

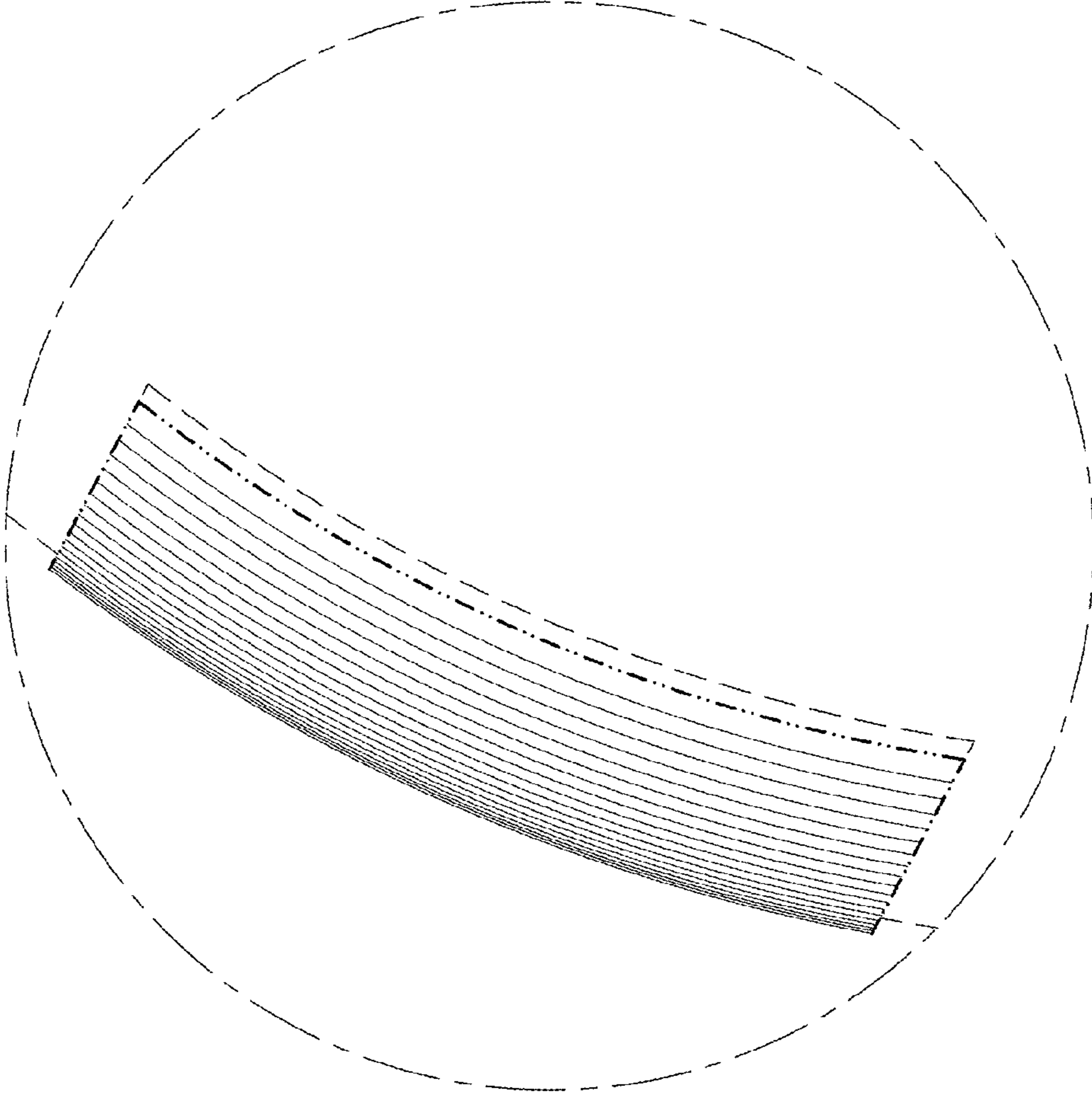


FIG. 5A

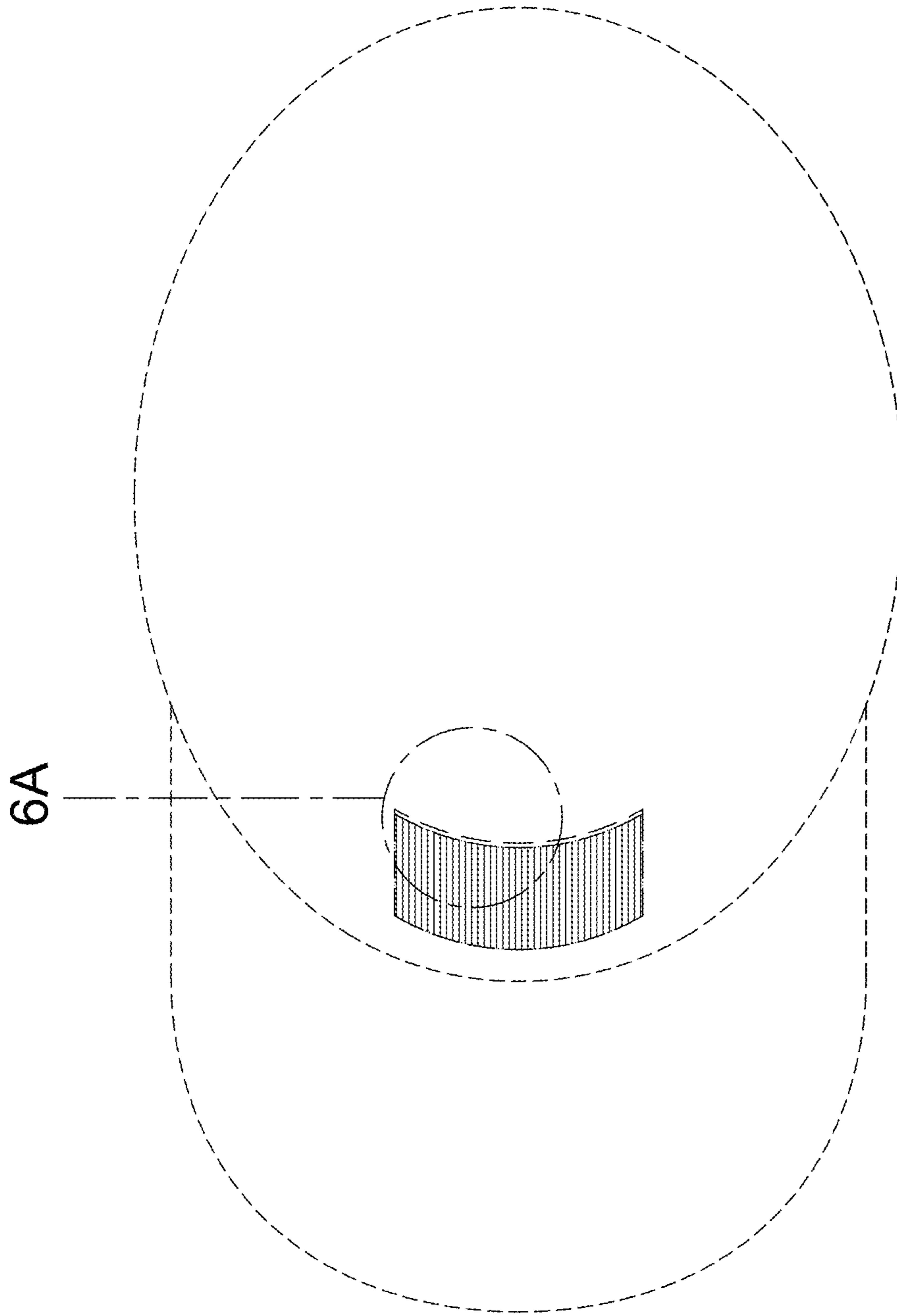


FIG. 6

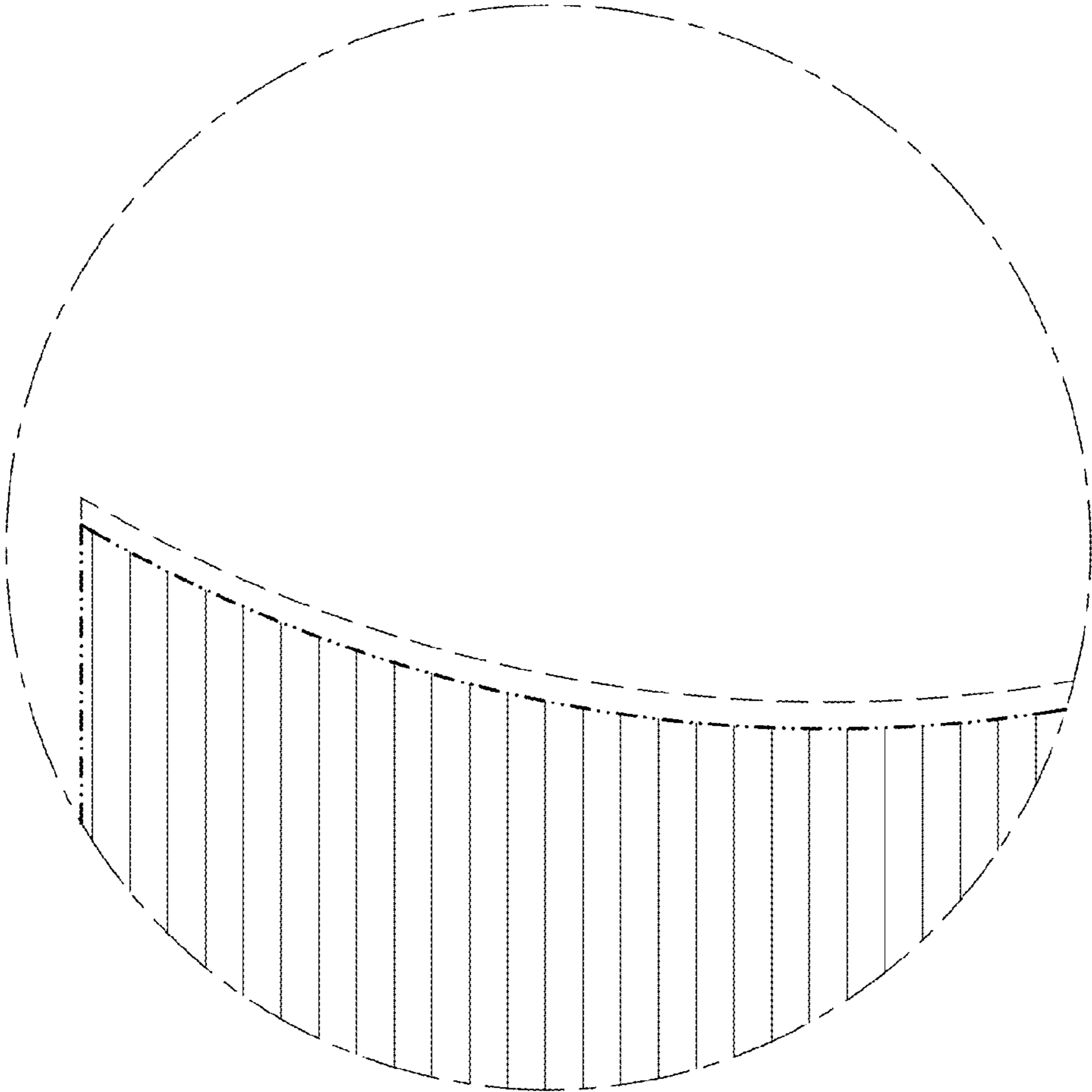


FIG. 6A

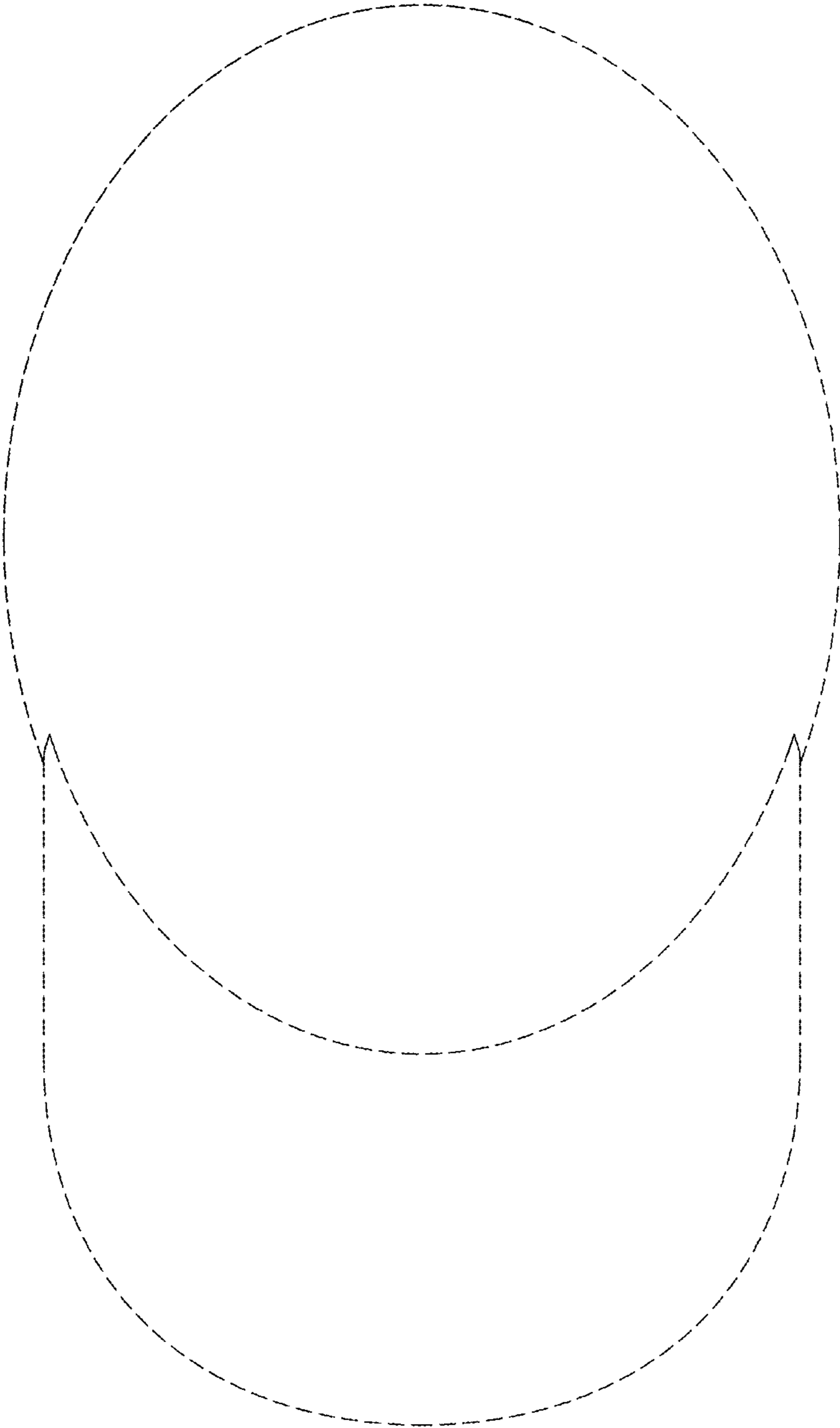


FIG. 7