



US00D764150S

(12) **United States Design Patent**
Lacy et al.

(10) **Patent No.:** **US D764,150 S**
(45) **Date of Patent:** **** Aug. 23, 2016**

(54) **FORAGE CAP**

(71) Applicant: **Sunday Afternoons, Inc.**, Talent, OR
(US)

(72) Inventors: **Robbin Lacy**, Talent, OR (US); **Russell
Hodgdon**, Talent, OR (US); **Gulnara
Iskhakova**, Talent, OR (US)

(73) Assignee: **Sunday Afternoons, Inc.**, Talent, OR
(US)

(**) Term: **14 Years**

(21) Appl. No.: **29/497,489**

(22) Filed: **Jul. 24, 2014**

(51) **LOC (10) Cl.** **02-03**

(52) **U.S. Cl.**
USPC **D2/882**

(58) **Field of Classification Search**
USPC D2/865, 866, 872, 873, 875, 876, 879,
D2/882, 884, 886, 890
CPC A42B 1/00; A42B 1/04; A42B 1/041;
A42B 1/06; A42B 1/061; A42B 1/062;
A42B 1/18; A42B 1/22; A42B 1/225; A42B
1/242; A42B 1/248; A42B 1/025; A42B
1/201; A42B 1/206; A42B 1/247
See application file for complete search history.

(56) **References Cited**

U.S. PATENT DOCUMENTS

- 592,298 A * 10/1897 Lattimore A42B 1/248
2/195.1
- 1,156,980 A * 10/1915 Coppers A42B 1/22
2/195.4
- 1,723,276 A * 8/1929 Gottlieb A63B 57/0031
2/209.13
- D135,146 S * 3/1943 Maxwell D2/882
- D136,499 S * 10/1943 Cookman D2/882
- D178,682 S * 9/1956 Lipschutz D2/882
- D186,868 S * 12/1959 De Grazia D2/882
- D289,700 S * 5/1987 Burns D2/884

- D364,494 S * 11/1995 Sisera D2/869
- D384,489 S * 10/1997 Ethier D2/866
- D388,240 S * 12/1997 Martz D2/884

(Continued)

OTHER PUBLICATIONS

“Sun Tripper Cap by Sunday Afternoons,” video published on-line on Youtube by Sunday Afternoons on Mar. 14, 2014. Retrieved from the Internet on Oct. 6, 2015. URL: <https://www.youtube.com/watch?v=1-g-hLCVPI8>. (4 pages).*

(Continued)

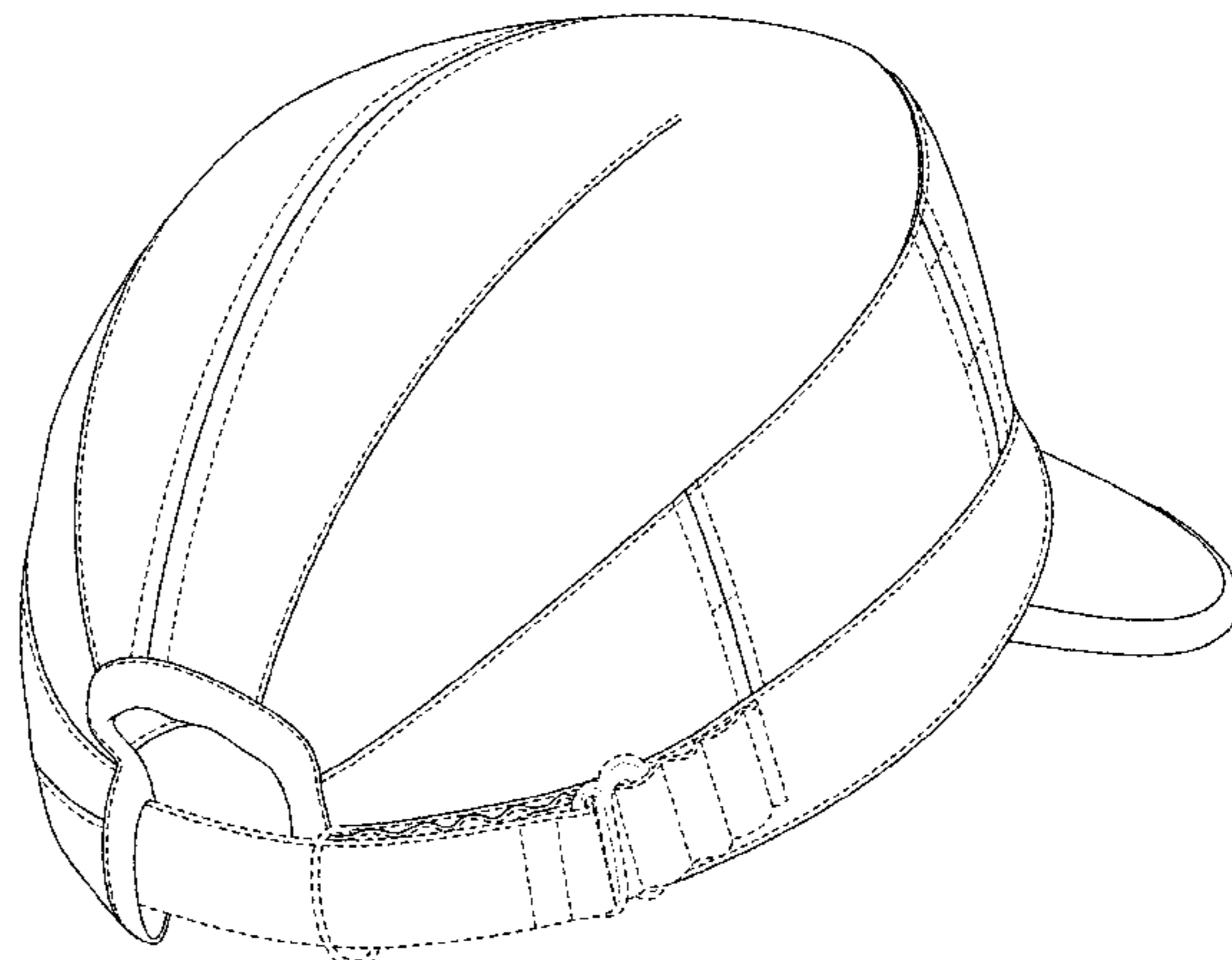
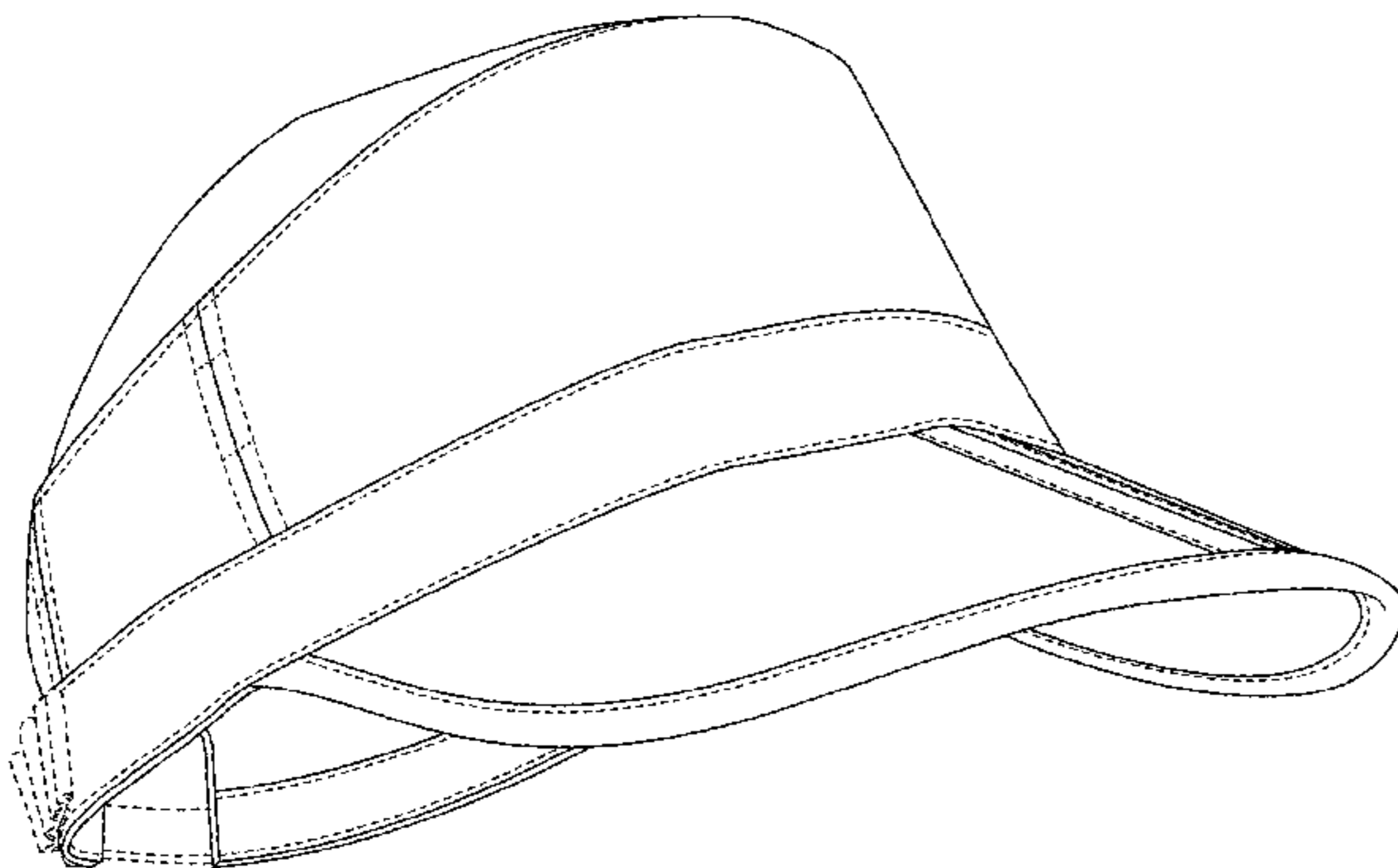
Primary Examiner — Karen E. Eldridge Powers
Assistant Examiner — Jasmine Mlinarcik
(74) *Attorney, Agent, or Firm* — Alleman Hall McCoy
Russell & Tuttle LLP

(57) **CLAIM**
The ornamental design for a forage cap, as shown and described.

DESCRIPTION

FIG. 1 is a front-right perspective view of a design for a forage cap according to an embodiment;
FIG. 2 is a top plan view thereof;
FIG. 3 is a front elevation view thereof;
FIG. 4 is a rear elevation view thereof;
FIG. 5 is a rear-right perspective view thereof;
FIG. 6 is right side elevation view thereof;
FIG. 7 is a left side elevation view thereof;
FIG. 8 is a bottom plan view thereof;
FIG. 9 is a front-right perspective view thereof, showing example optics positioned on the cap; and,
FIG. 10 is a rear elevation view thereof, showing example optics positioned on the cap.
The broken lines shown as part of the cap itself illustrate features of the article of manufacture that form no part of the claimed design. The broken lines illustrating optics represent environmental structure that forms no part of the claimed design.

1 Claim, 10 Drawing Sheets



(56)

References Cited

U.S. PATENT DOCUMENTS

5,845,338 A * 12/1998 Clark A42B 1/206
 2/171.1
 D423,196 S * 4/2000 White D2/882
 6,167,569 B1 * 1/2001 Conner, IV A42B 1/006
 2/195.1
 D439,728 S * 4/2001 Smith D2/866
 D450,173 S * 11/2001 Allen D2/866
 6,357,051 B1 * 3/2002 Lee A42B 1/201
 2/195.1
 6,446,266 B1 * 9/2002 Park A42B 1/22
 2/175.1
 D491,714 S * 6/2004 Upcott D2/875
 7,275,270 B2 * 10/2007 Cotutsca A42B 1/247
 2/209.13
 D603,586 S * 11/2009 Miller D2/882
 D616,633 S * 6/2010 Lacy D2/882
 7,904,970 B2 * 3/2011 Thomas A42B 1/247
 2/195.6
 D636,976 S * 5/2011 McIntosh D2/882
 D672,119 S * 12/2012 Mayleben D2/882

D673,352 S * 1/2013 Robinson D2/876
 D678,663 S * 3/2013 Gill D2/882
 D683,111 S * 5/2013 Rogers D2/876
 D691,349 S * 10/2013 Pearson D2/882
 D718,021 S * 11/2014 Werczberger D2/882
 D723,249 S * 3/2015 Azam D2/882
 2002/0095715 A1 * 7/2002 Hong A42B 1/06
 2/209.11
 2003/0233696 A1 * 12/2003 Lee A42B 1/22
 2/195.2

OTHER PUBLICATIONS

“River Tripper Cap,” video published on-line on Youtube by Sunday Afternoons on Jun. 30, 2015. Retrieved from the Internet on Oct. 6, 2015. URL: <https://www.youtube.com/watch?v=2CMv6fikoIE>. (5 pages).*

“Sun Tripper Cap,” item available for sale on-line with a Wayback Machine crawl back date of Oct. 5, 2012. Retrieved from the Internet on Oct. 6, 2015. URL: <https://web.archive.org/web/20121005075246/http://www.sundayafternoons.com/sun-tripper-cap.html>. (3 pages).*

* cited by examiner

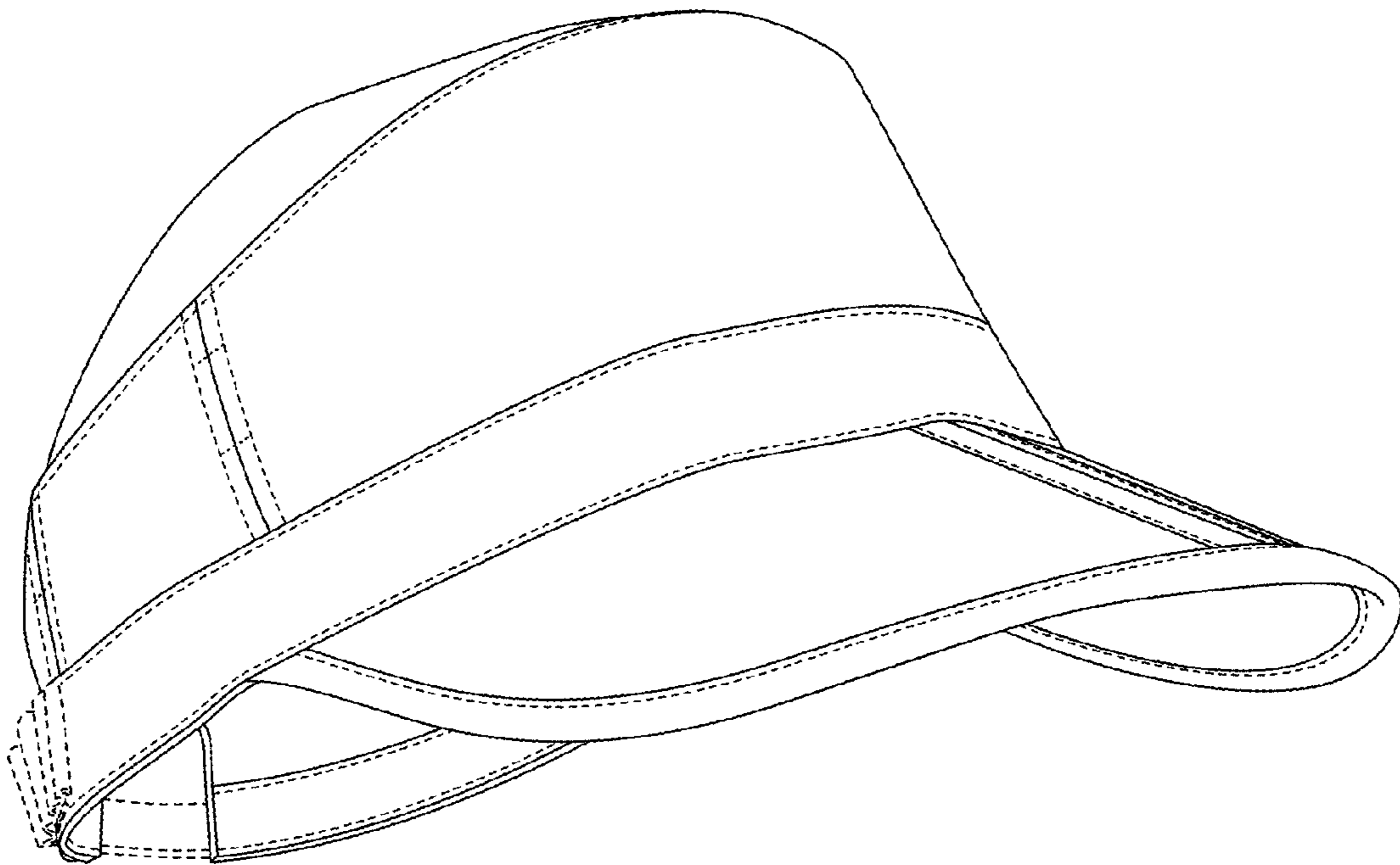


FIG. 1

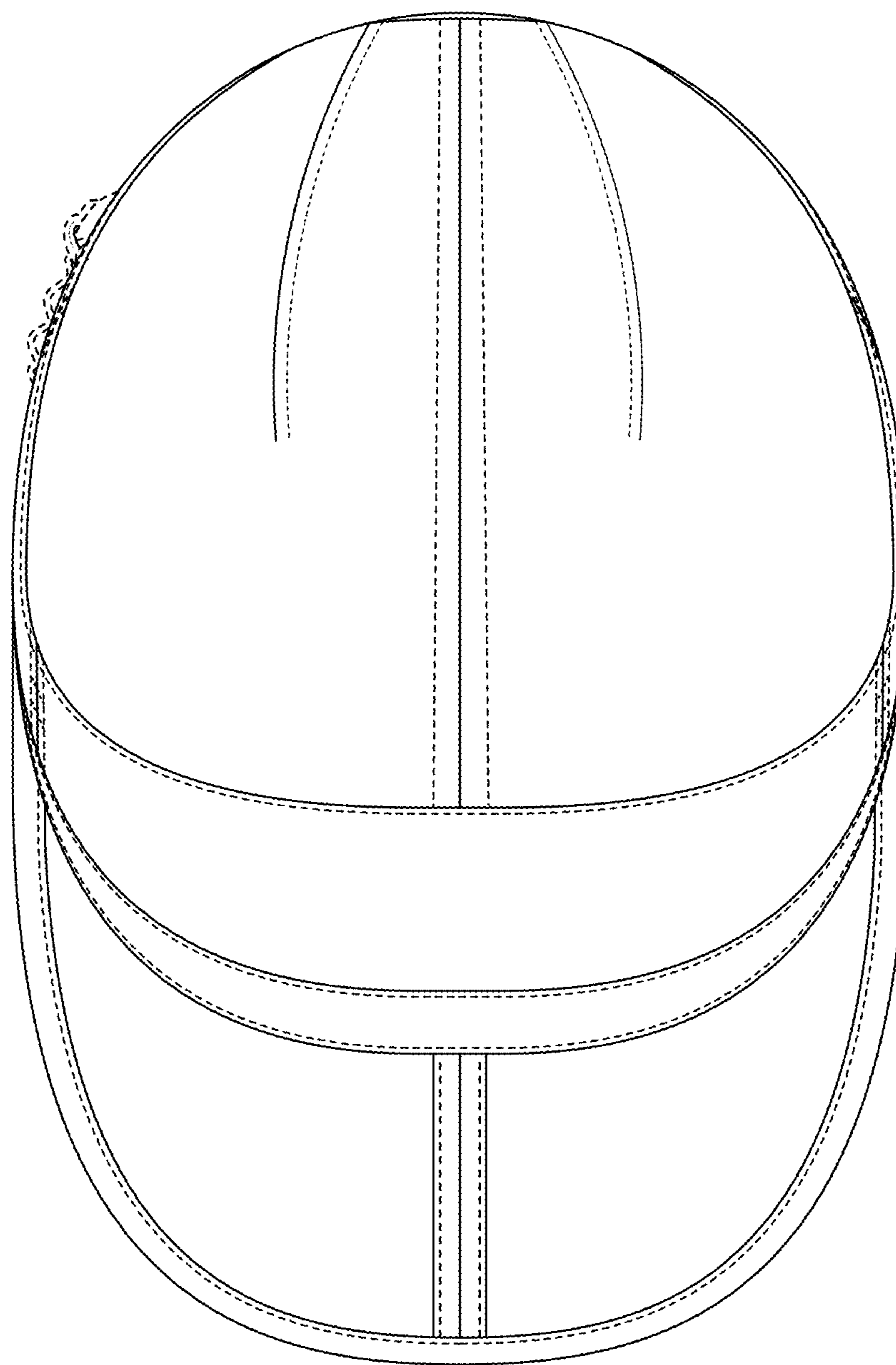


FIG. 2

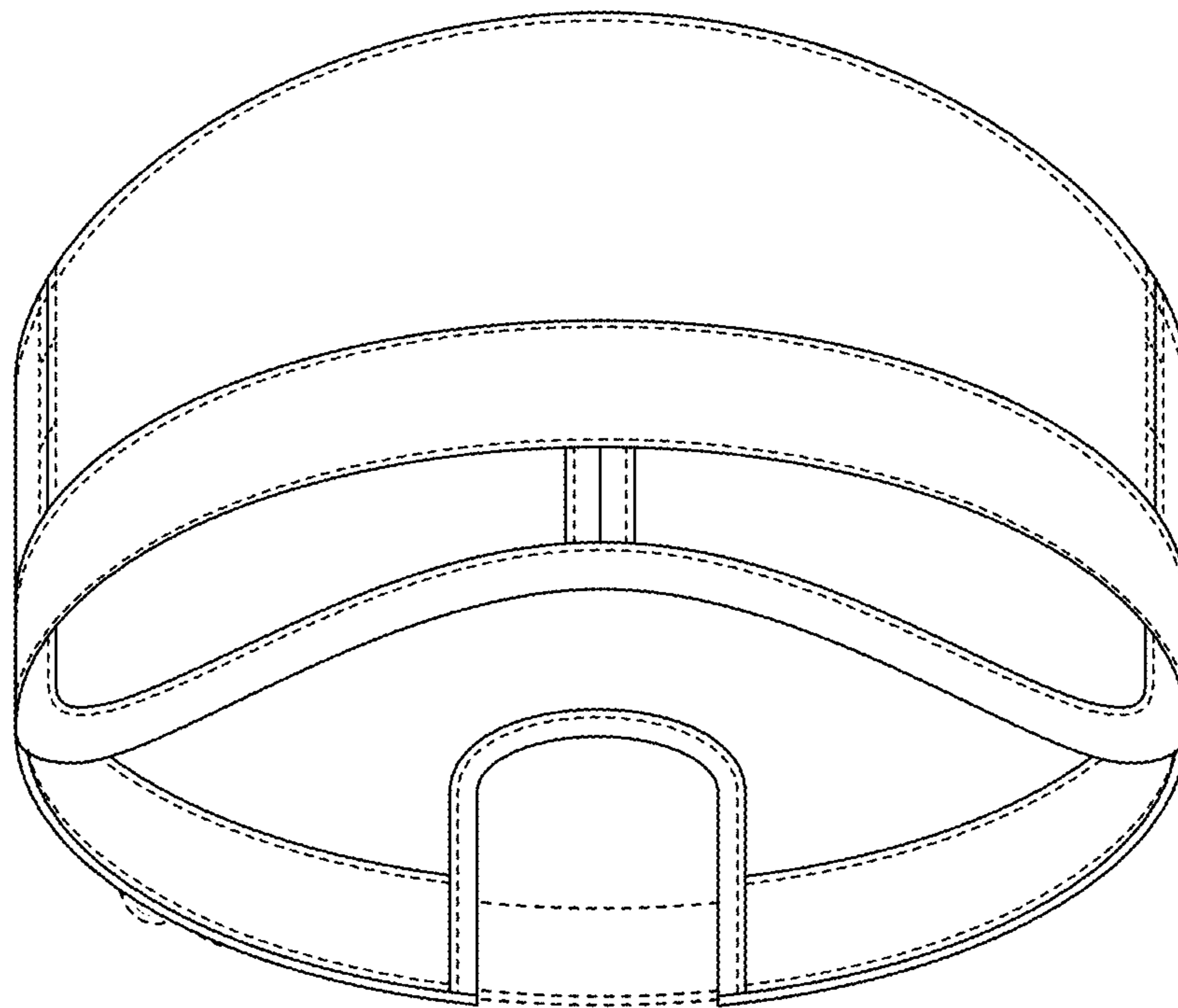


FIG. 3

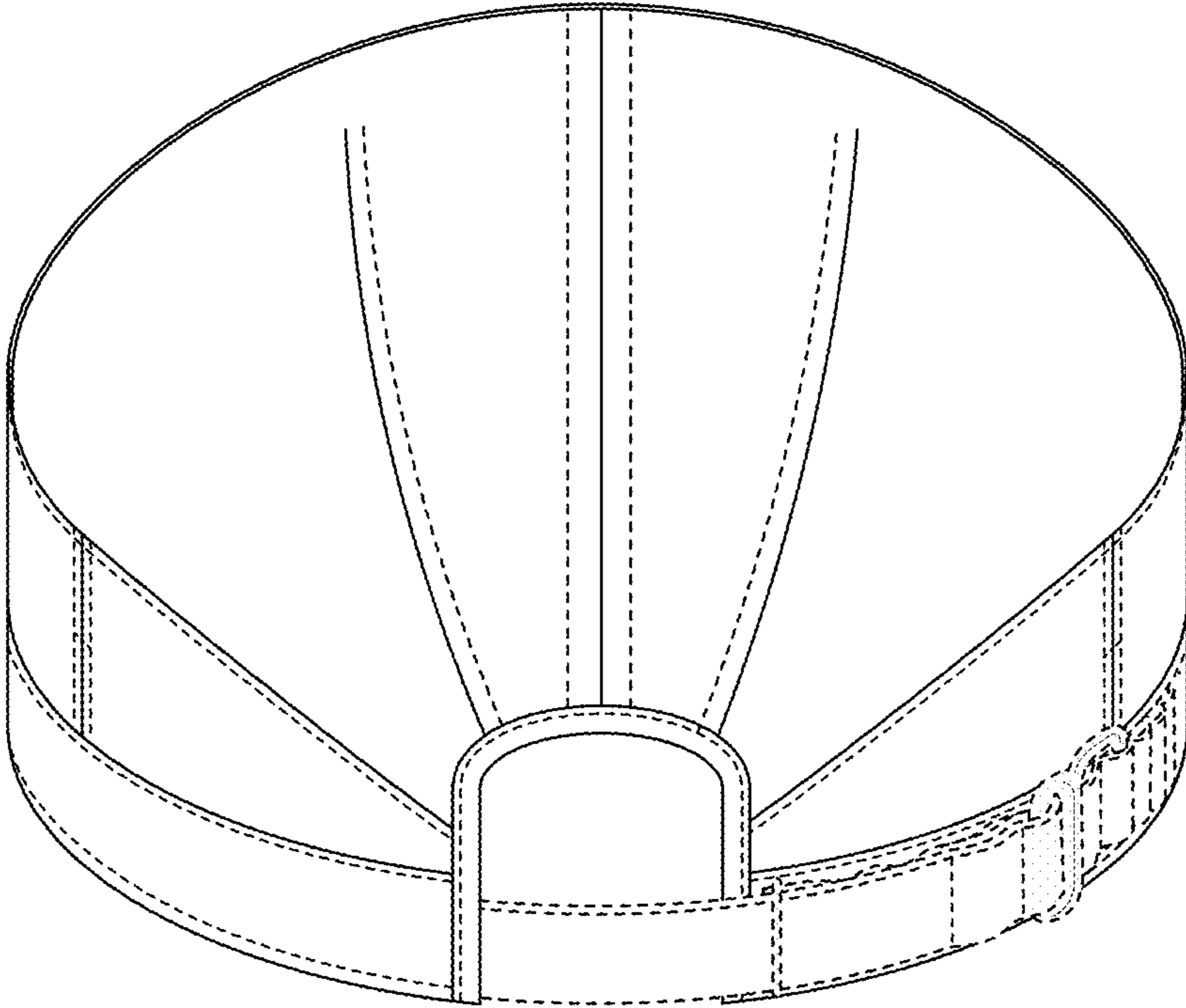


FIG. 4

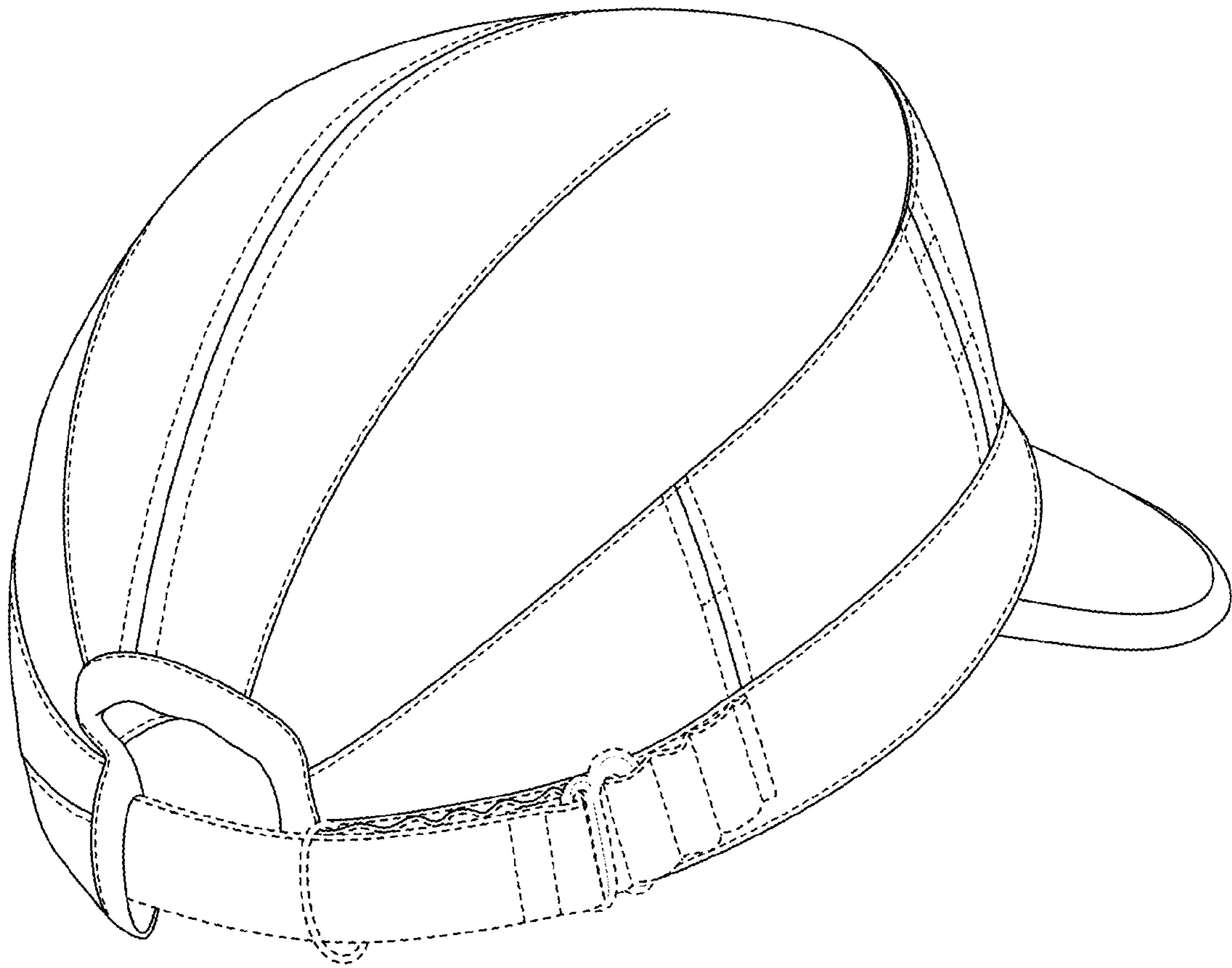


FIG. 5

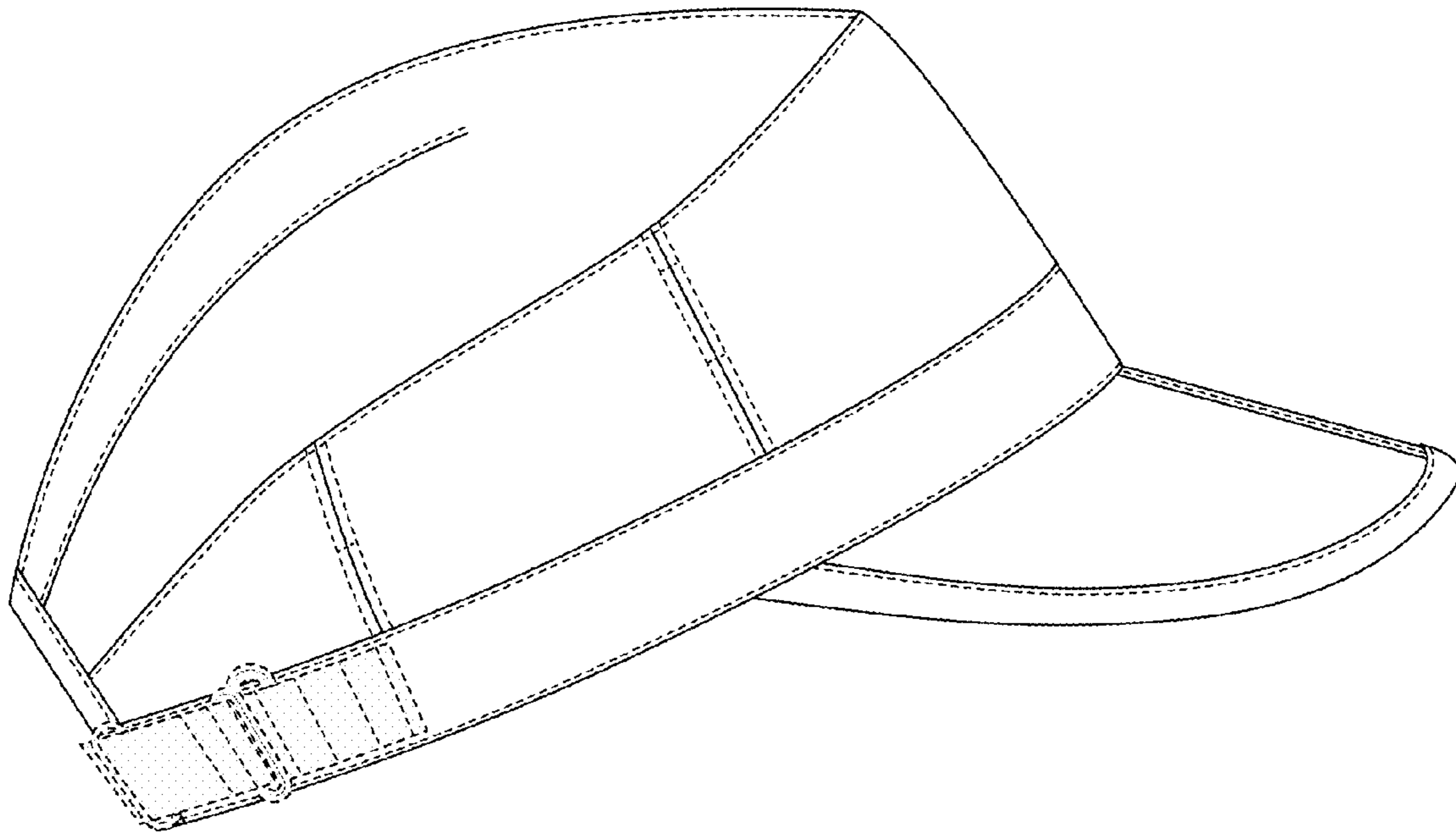


FIG. 6

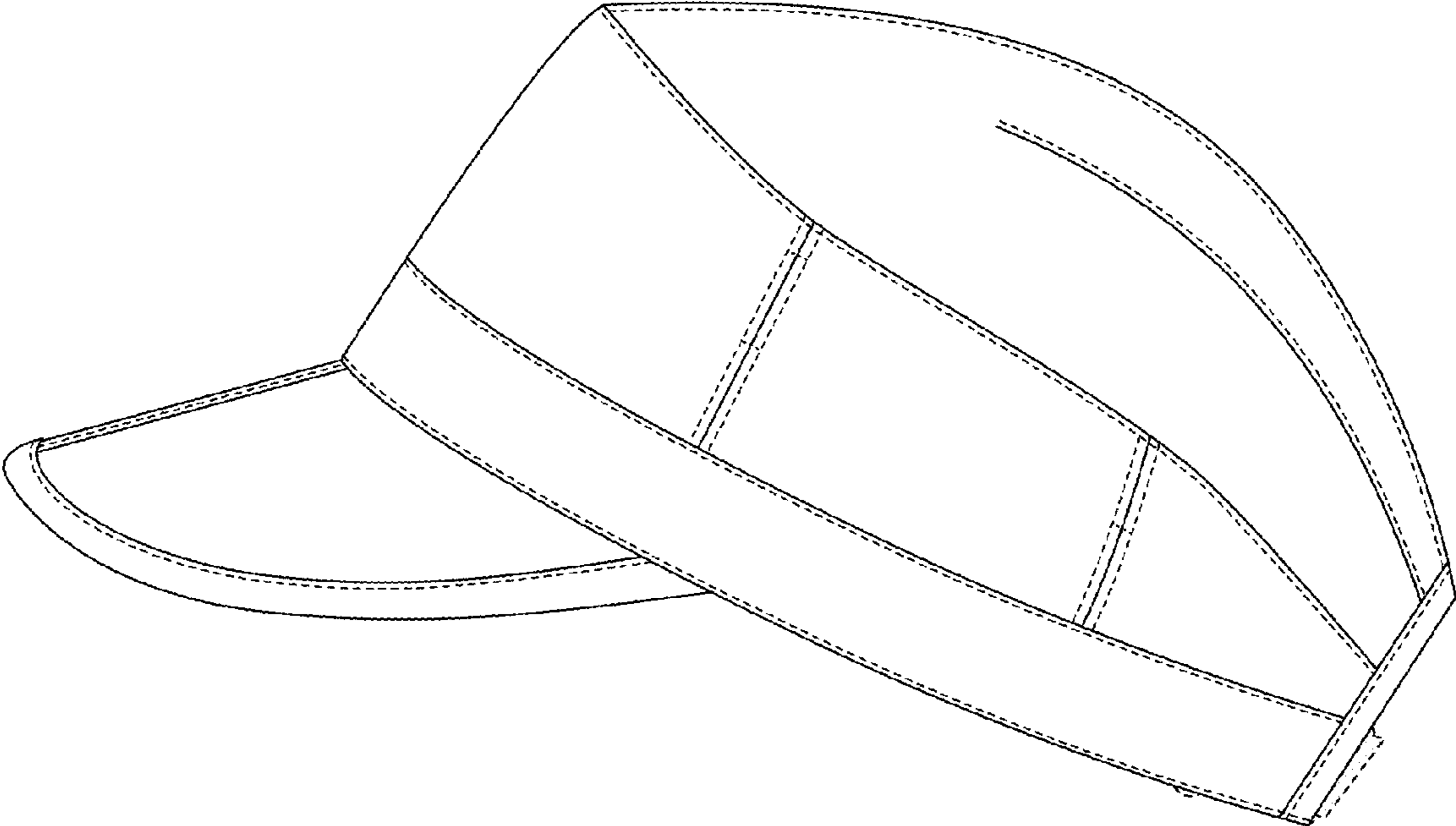


FIG. 7

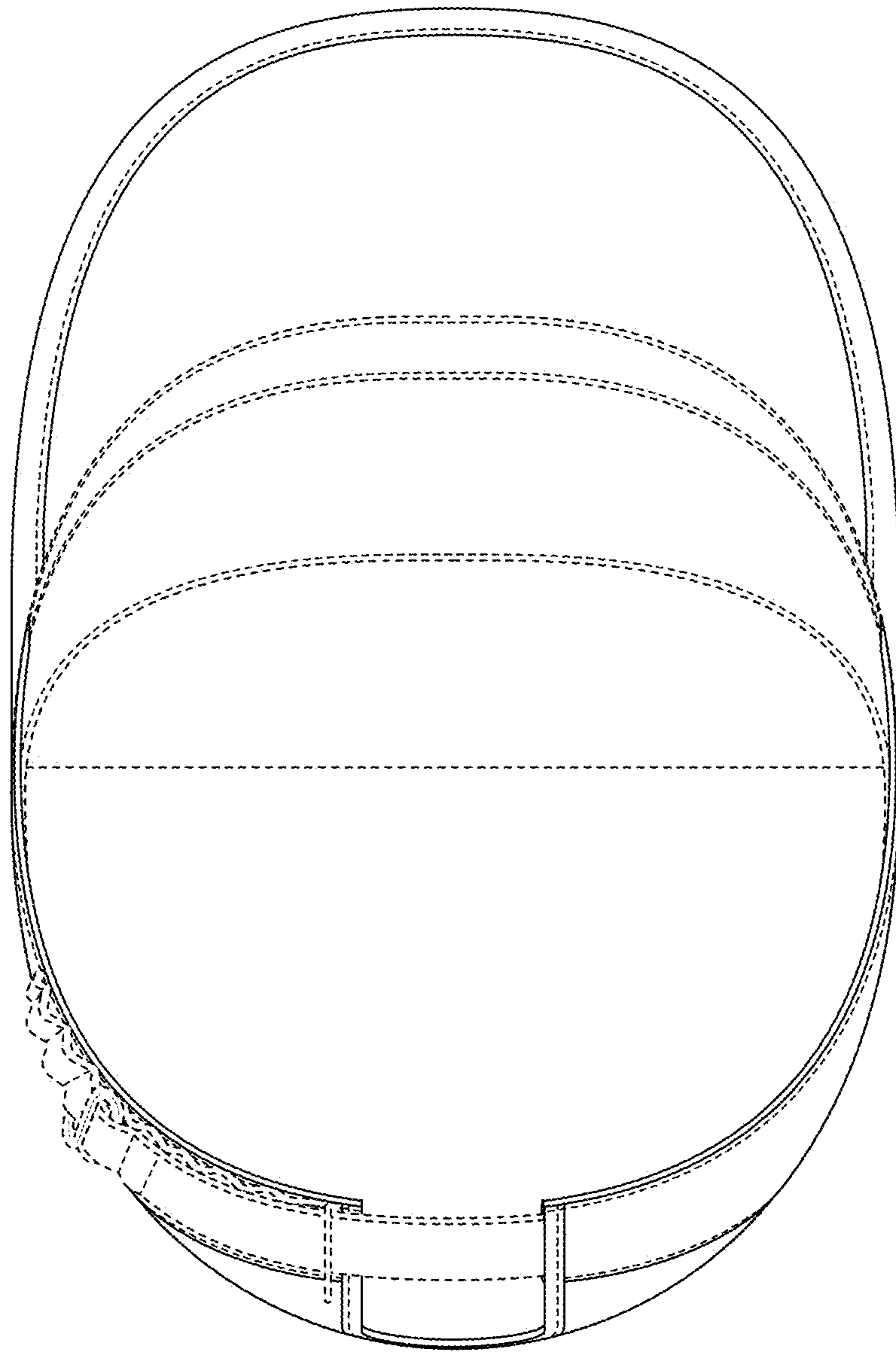


FIG. 8

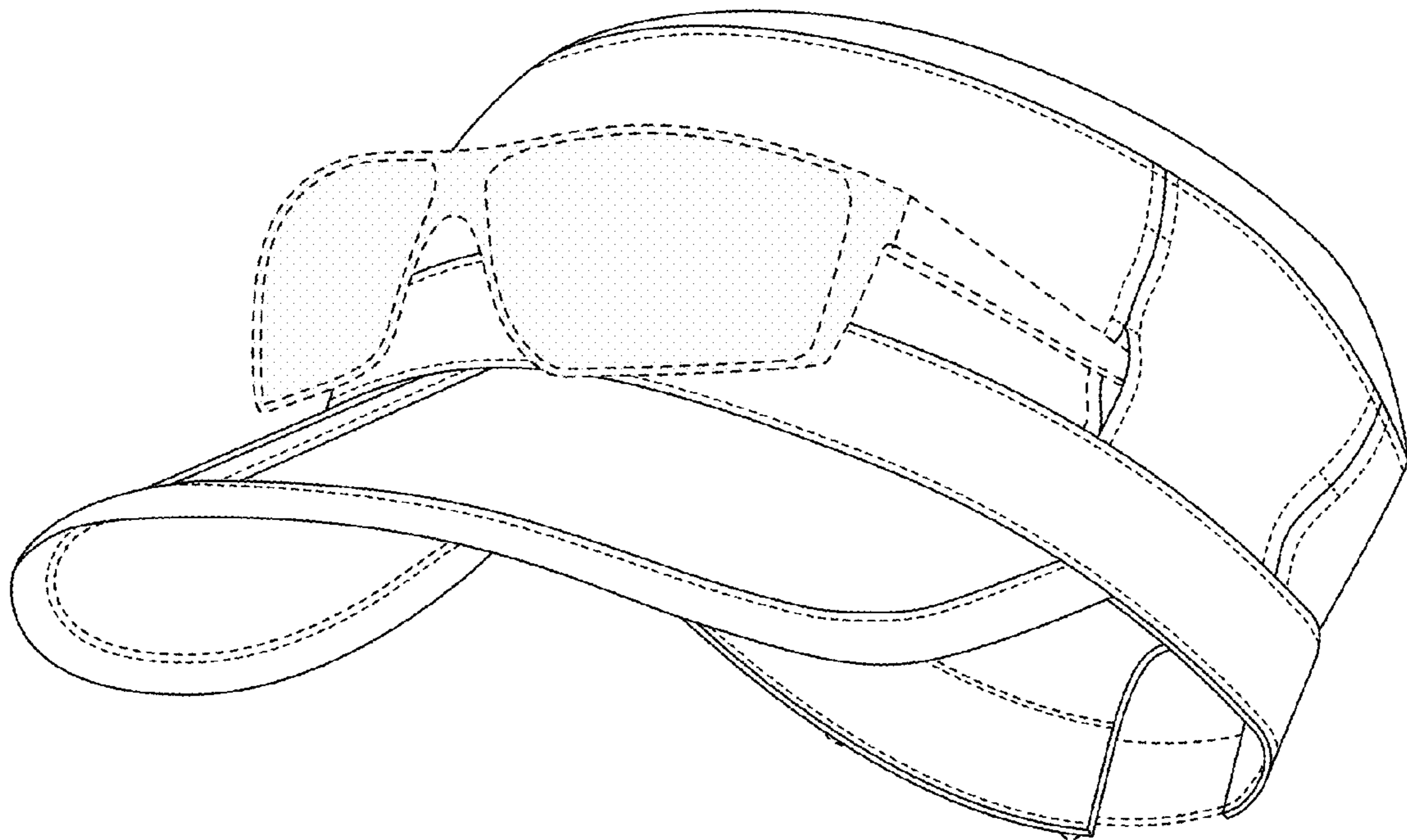


FIG. 9

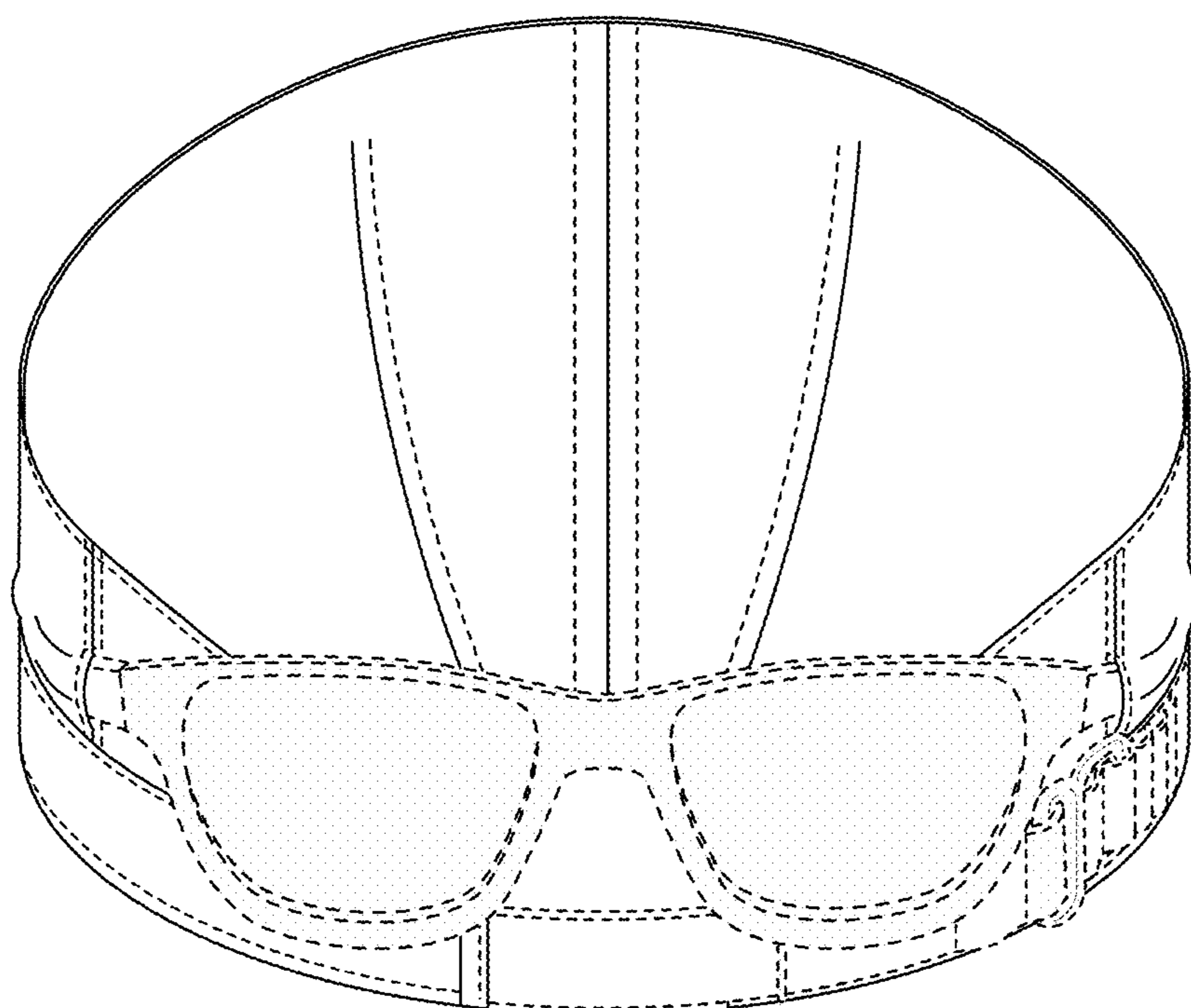


FIG. 10