

US00D764147S

(12) **United States Design Patent**
Zhou et al.

(10) **Patent No.:** **US D764,147 S**
(45) **Date of Patent:** **** Aug. 23, 2016**

(54) **GARMENT WITH CARRYING CASE FOR MEDICAL DELIVERY DEVICE**

(71) Applicant: **ABBVIE INC.**, North Chicago, IL (US)

(72) Inventors: **Ji Zhou**, Lake Villa, IL (US); **Shawn Malloy**, Chicago, IL (US); **Grant Whitney**, Chicago, IL (US); **Rajkumar Conjeevaram**, Lake Bluff, IL (US); **Phil Anderson**, Libertyville, IL (US); **David Lacewell**, Naperville, IL (US); **Mehdi Megdoud**, Antony (FR); **Mikael Tutschke-Saettler**, Moehlin (CH); **Damon Vaughan**, Chicago, IL (US); **Derek Leatzow**, Chicago, IL (US); **Sean Corrigan**, Chicago, IL (US); **John White**, Chicago, IL (US); **Michael Lau**, Chicago, IL (US)

(73) Assignee: **ABBVIE INC.**, North Chicago, IL (US)

(**) Term: **14 Years**

(21) Appl. No.: **29/524,024**

(22) Filed: **Apr. 15, 2015**

(51) **LOC (10) Cl.** **02-02**

(52) **U.S. Cl.**
USPC **D2/829**

(58) **Field of Classification Search**
USPC D2/829, 720, 864, 732, 725, 828, 839,
D2/728, 840; D21/638; 2/2.5, 102
CPC F41H 1/02; A41D 13/1245; A63B 21/065
See application file for complete search history.

(56) **References Cited**

U.S. PATENT DOCUMENTS

D29,559 S * 10/1898 Tesiny D2/829
D170,156 S * 8/1953 Hagan D2/720

(Continued)

FOREIGN PATENT DOCUMENTS

CN 302003508 7/2012
EM 001699448-0001 * 5/2010

(Continued)

OTHER PUBLICATIONS

Advantages of A Police Outer Vest Carrier, Announced Oct. 8, 2013, [Site Visited Mar. 28, 2016] <http://www.blauer.com/dispatch/advantages-of-a-police-outer-vest-carrier/>.*

(Continued)

Primary Examiner — John Windmuller
Assistant Examiner — Luqman McNeil
(74) *Attorney, Agent, or Firm* — Baker Botts L.L.P.

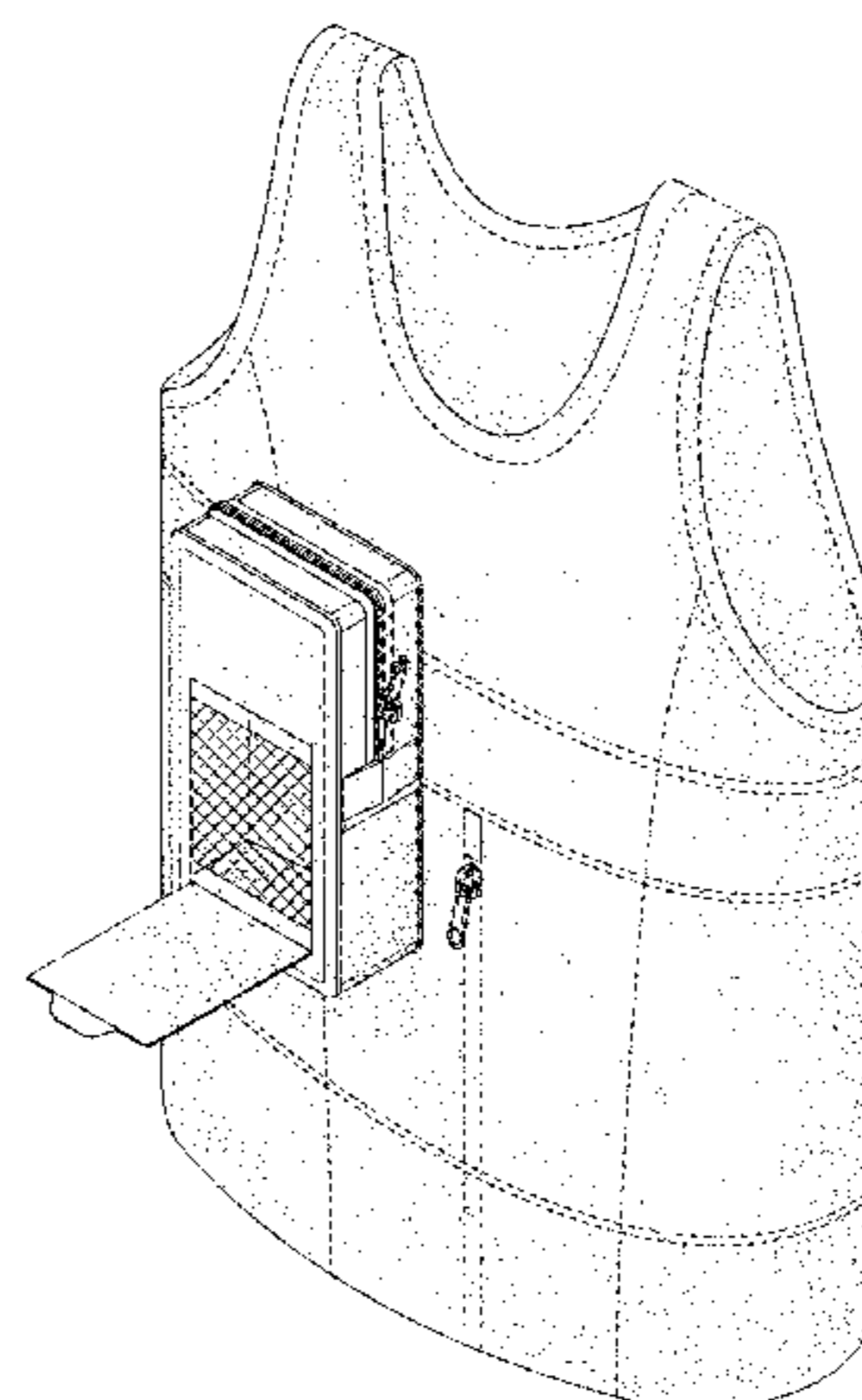
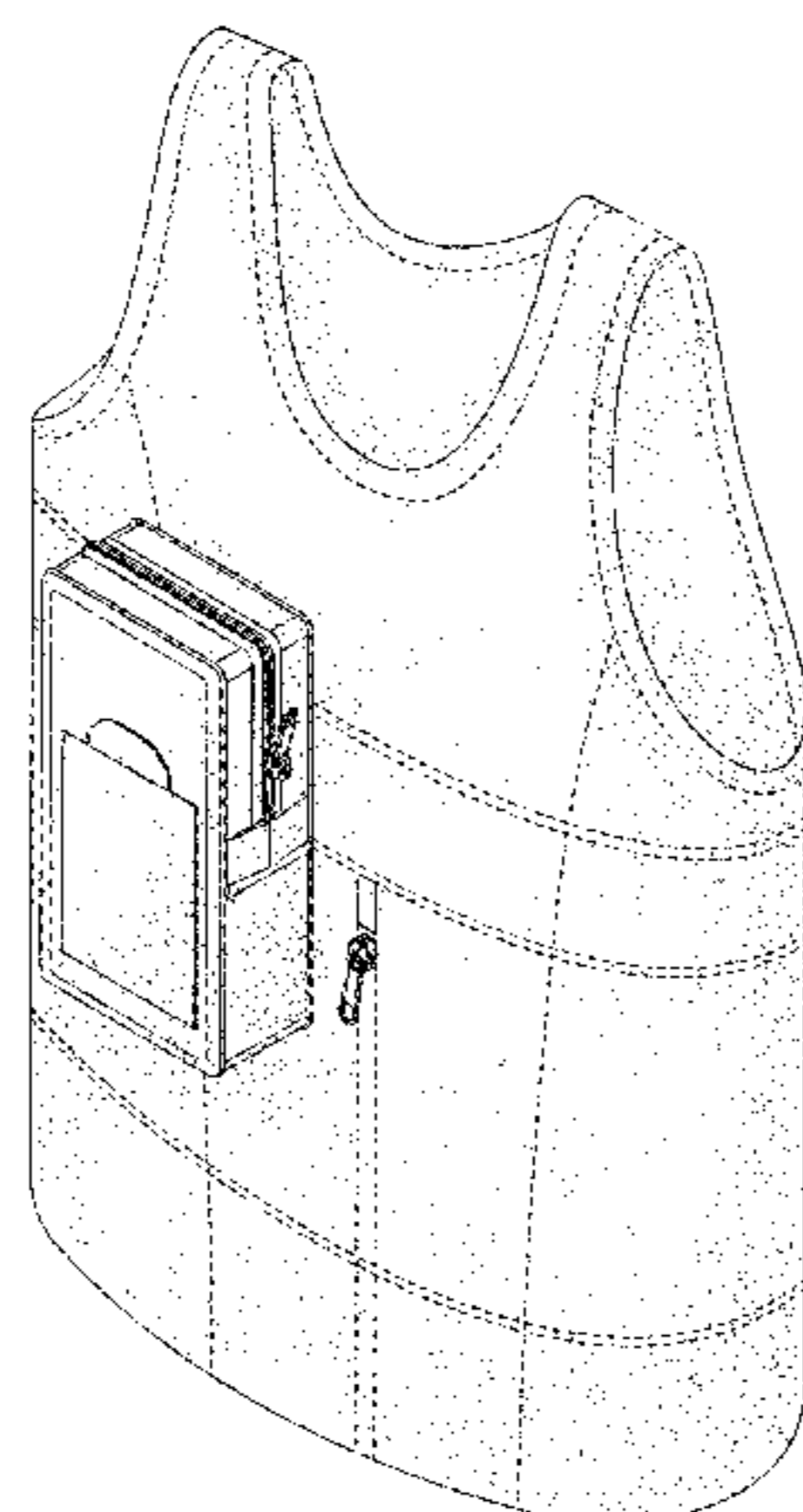
(57) **CLAIM**

The ornamental design for a garment with carrying case for medical delivery device, as shown and described.

DESCRIPTION

FIG. 1 is a perspective view of an embodiment of our design for a garment with carrying case for medical delivery device. FIG. 2 is a front view of the garment with carrying case for medical delivery device of FIG. 1. FIG. 3 is a rear view of the garment with carrying case for medical delivery device of FIG. 1. FIG. 4 is a left side view of the garment with carrying case for medical delivery device of FIG. 1. FIG. 5 is a right side view of the garment with carrying case for medical delivery device of FIG. 1. FIG. 6 is a top view of the garment with carrying case for medical delivery device of FIG. 1. FIG. 7 is a bottom view of the garment with carrying case for medical delivery device of FIG. 1; and, FIG. 8 is a perspective view of the garment with carrying case for medical delivery device of FIG. 1, with the carrying case in an open configuration. The broken lines are included for the purpose of illustrating portions of the garment that form no part of the claimed design.

1 Claim, 7 Drawing Sheets



(56)

References Cited

U.S. PATENT DOCUMENTS

2,954,563 A * 10/1960 De Grazia F41H 1/02
2/2.5
D237,022 S * 10/1975 Mathis D2/864
D256,850 S * 9/1980 Donahue D2/829
D257,910 S * 1/1981 Viio D2/829
D261,447 S * 10/1981 Viio D2/829
D273,818 S * 5/1984 Spencer D2/829
D278,090 S * 3/1985 Cochran D21/683
D278,840 S * 5/1985 Winston D2/829
4,602,387 A 7/1986 Zakrzewski
D292,015 S * 9/1987 McWaters D2/732
D293,618 S * 1/1988 Berenson D2/829
D315,242 S * 3/1991 Ruge D2/725
5,002,270 A 3/1991 Shine
D340,794 S * 11/1993 Winston D21/683
D356,883 S * 4/1995 Ganahl D2/828
D360,517 S * 7/1995 Reizenstein D2/828
D363,593 S * 10/1995 Murray D2/828
5,465,424 A 11/1995 Cudney et al.
D384,788 S * 10/1997 Curry D2/828
5,708,978 A * 1/1998 Johnsrud A41D 13/1245
2/102
D390,338 S * 2/1998 Plasco D2/828
D392,439 S * 3/1998 Okoniewski D2/828
D398,738 S 9/1998 De La Rosa
D402,788 S 12/1998 Blankenship, Jr.
D409,697 S * 5/1999 Ott D21/683
D414,913 S 10/1999 Katz et al.
D461,036 S * 8/2002 Forbes D2/828
D475,837 S * 6/2003 Neider D2/839
6,675,391 B2 * 1/2004 Morrison A63B 21/065
2/102

6,874,163 B2 * 4/2005 Marshall A41D 13/0012
2/102
7,058,982 B2 * 6/2006 Atallah A41D 1/04
2/102
D538,509 S * 3/2007 Silverman D2/829
D545,028 S * 6/2007 Myrick D2/728
D580,633 S * 11/2008 Cross D2/840
D602,678 S * 10/2009 Foley D2/829
D611,681 S * 3/2010 Pettingill D2/839
D622,036 S * 8/2010 Mason, III D2/829
D653,430 S 2/2012 Pouches
D655,478 S * 3/2012 McCollum D2/829
D677,861 S * 3/2013 Perry D2/829
D683,933 S * 6/2013 Robbins D2/829
D685,159 S 7/2013 Lambertz
D689,262 S * 9/2013 Passman D2/829
D707,424 S 6/2014 Pezzimenti
D714,022 S 9/2014 Mong et al.
2004/0153012 A1 8/2004 Schroeder

FOREIGN PATENT DOCUMENTS

KR 300432848.0000 * 12/2006
KR 300764966 10/2014
NO 20090182-0010 11/2009

OTHER PUBLICATIONS

Improve Osteopenia and Osteoporosis by Wearing This Weight Vest,
Announced Aug. 20, 2013, [Site Visited Mar. 28, 2016] <http://weightvest4osteoporosis.com/>.
Warrior Class Studios, Announced Jul. 24, 2013 [Site Visited Mar. 28,
2016] <http://warriorclasstudios.blogspot.com/2013/07/warriorclasstudios-another-essential.html>.

* cited by examiner

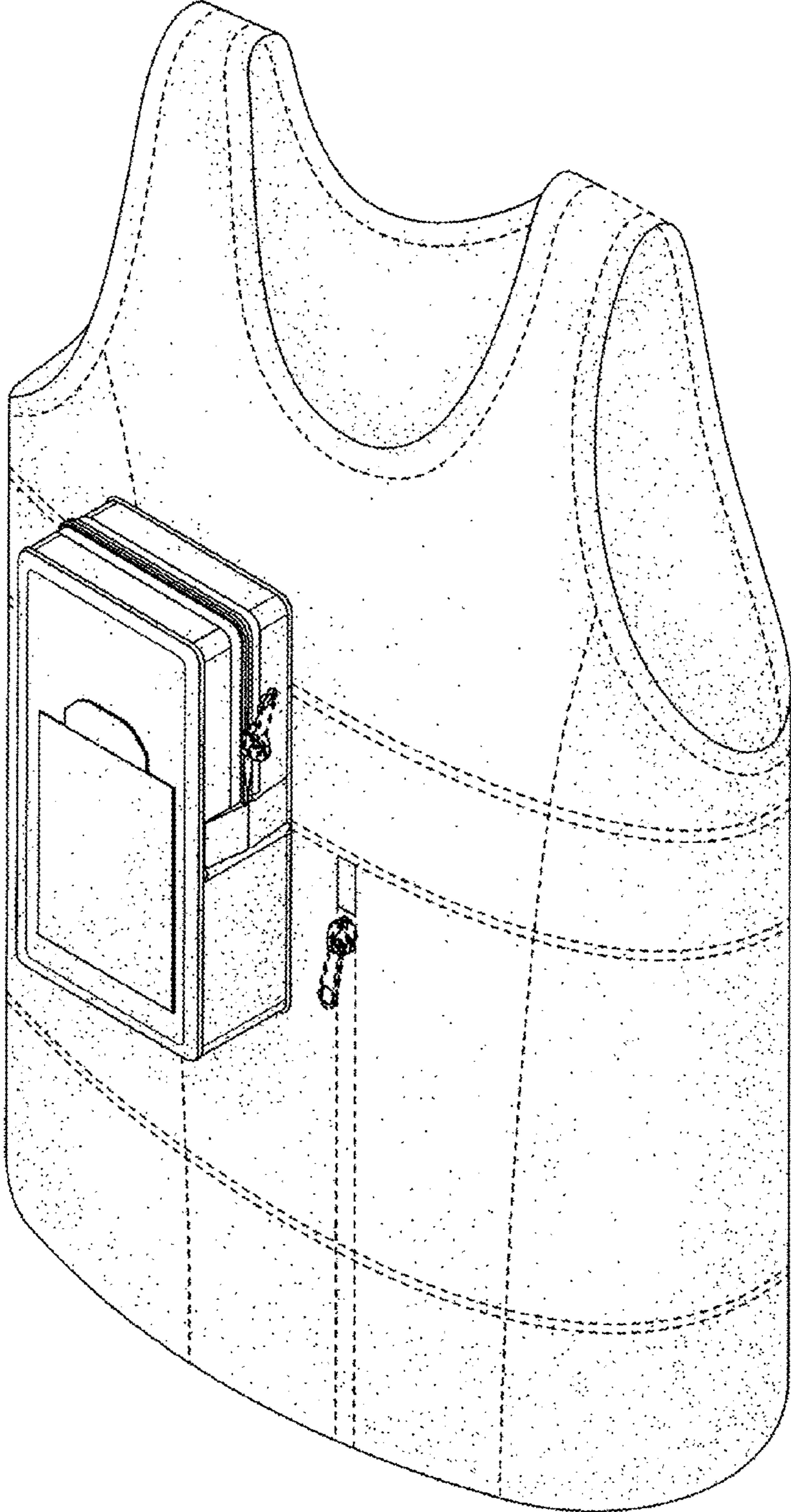


FIG. 1

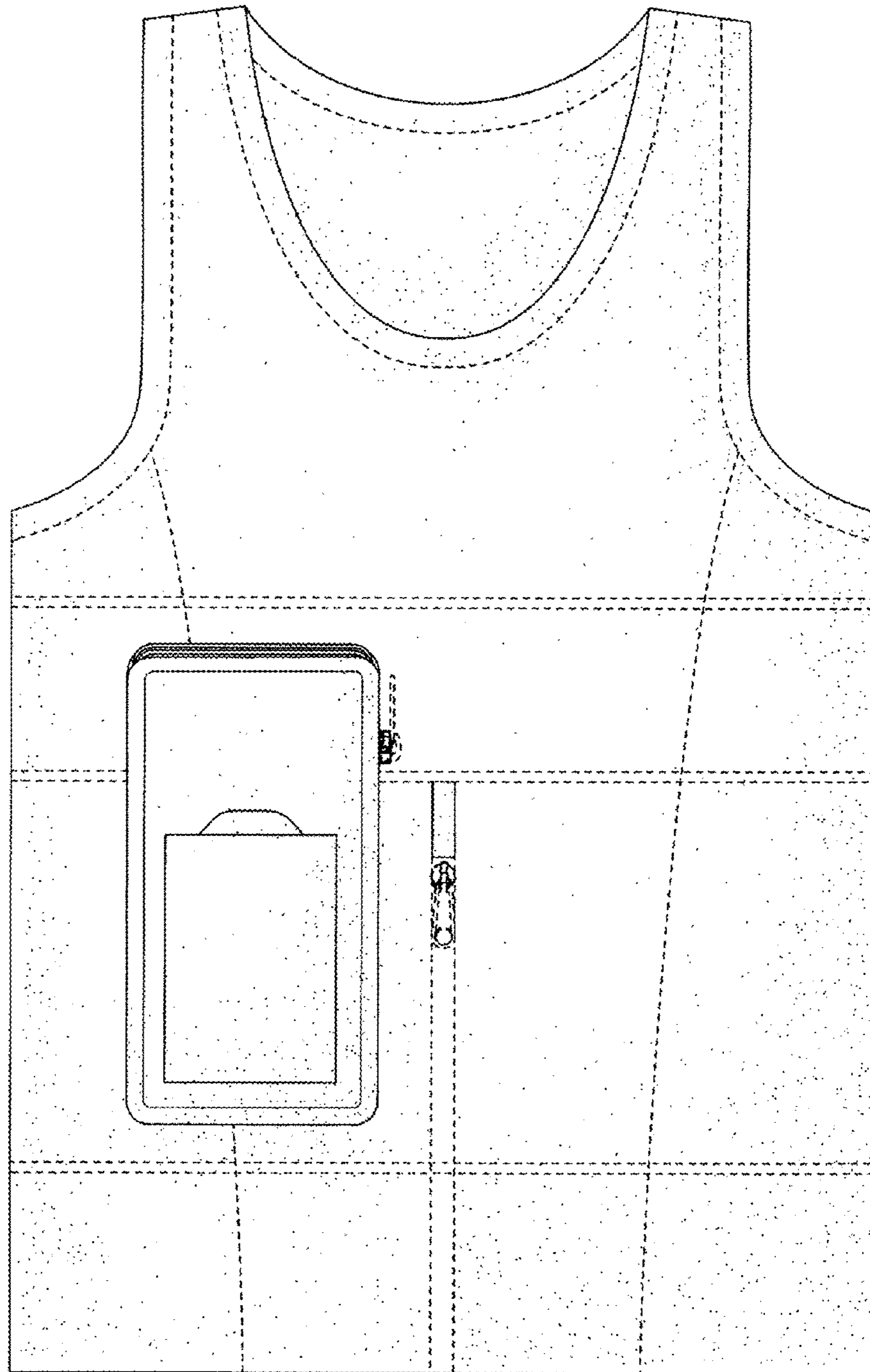


FIG. 2

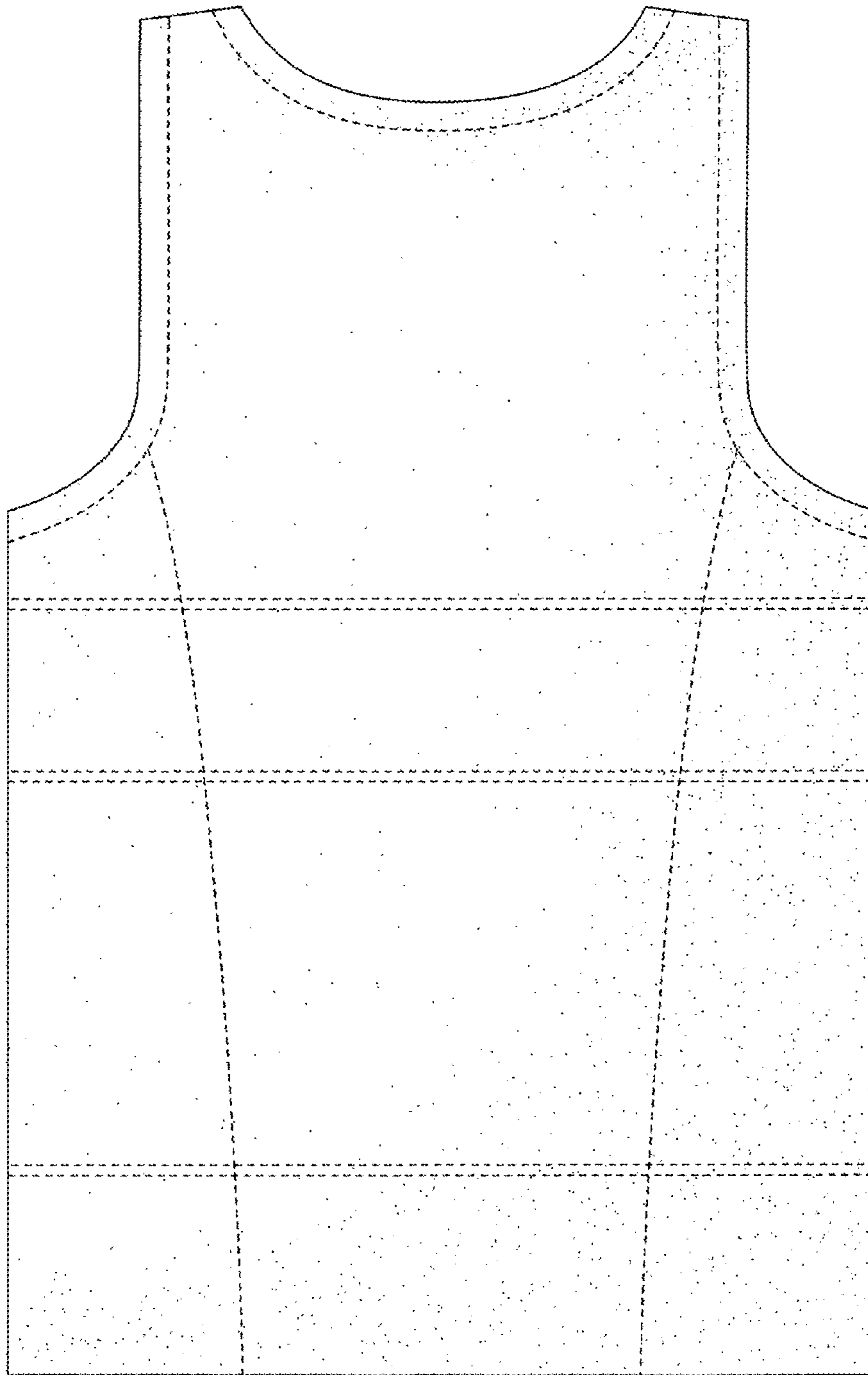


FIG. 3

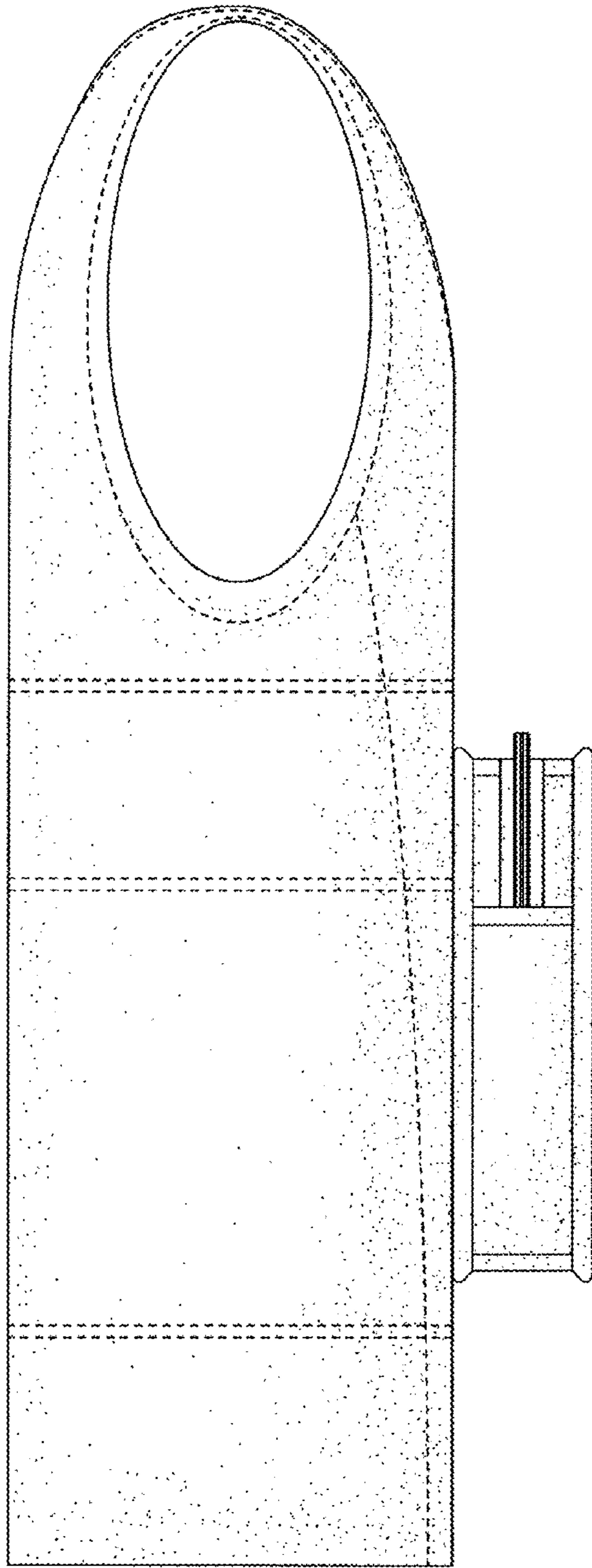


FIG. 4

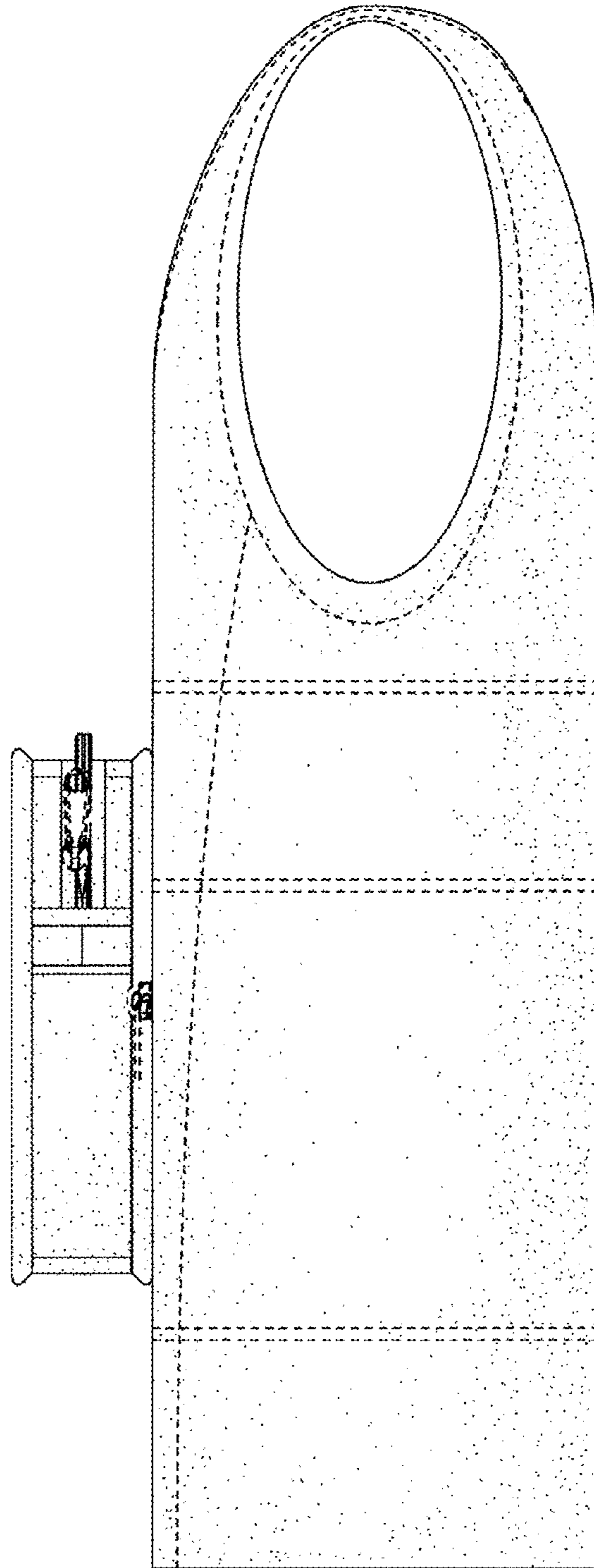


FIG. 5

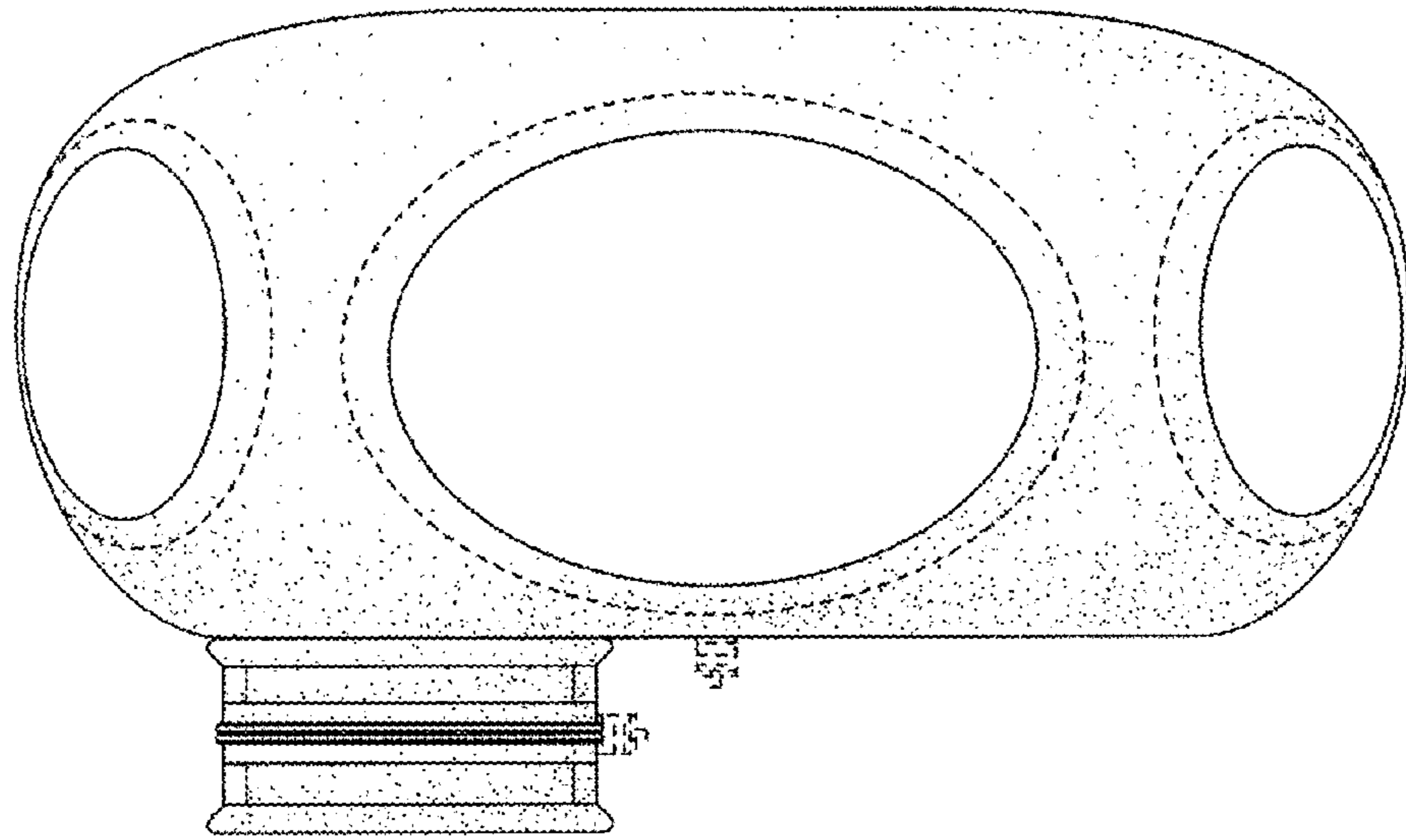


FIG. 6

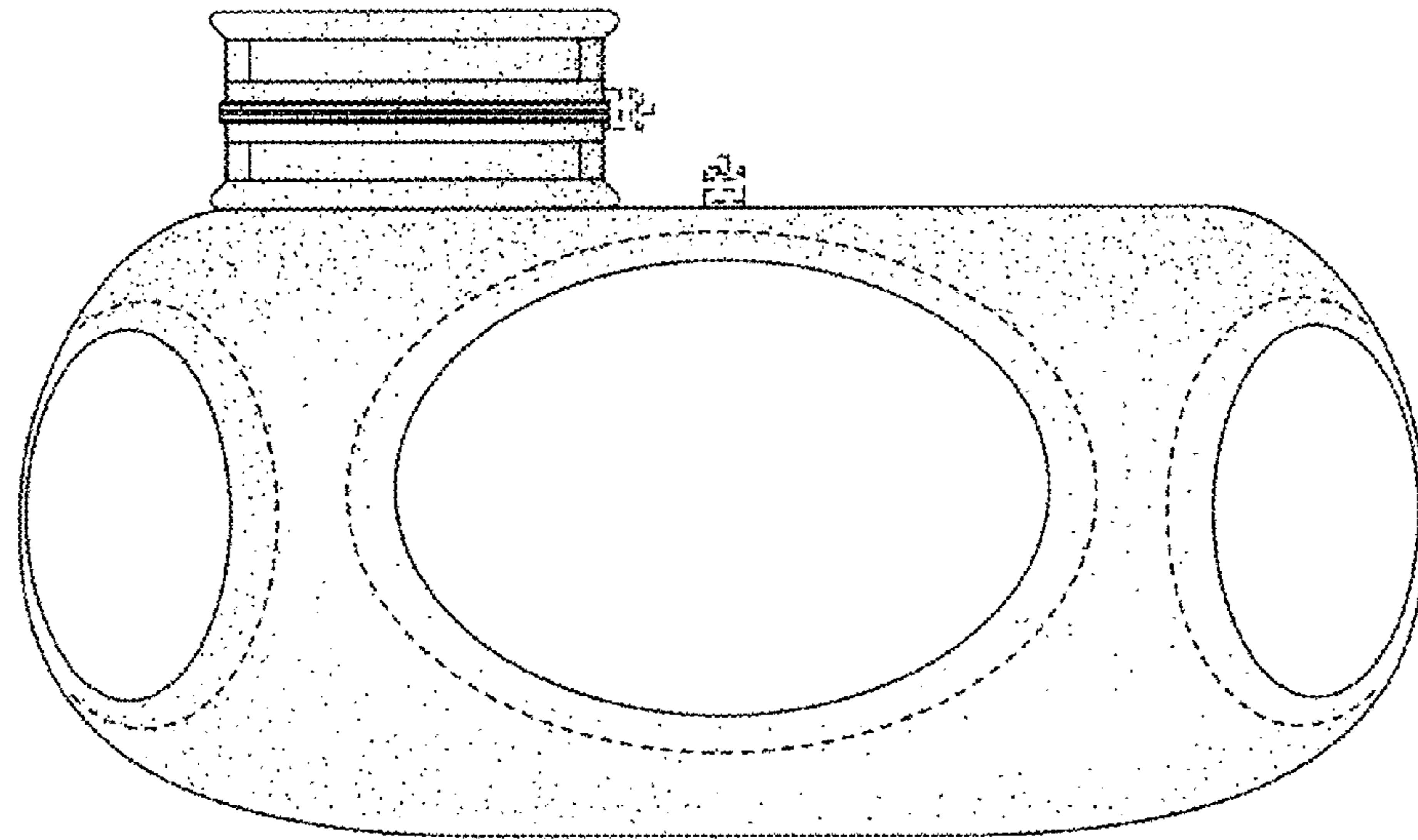


FIG. 7

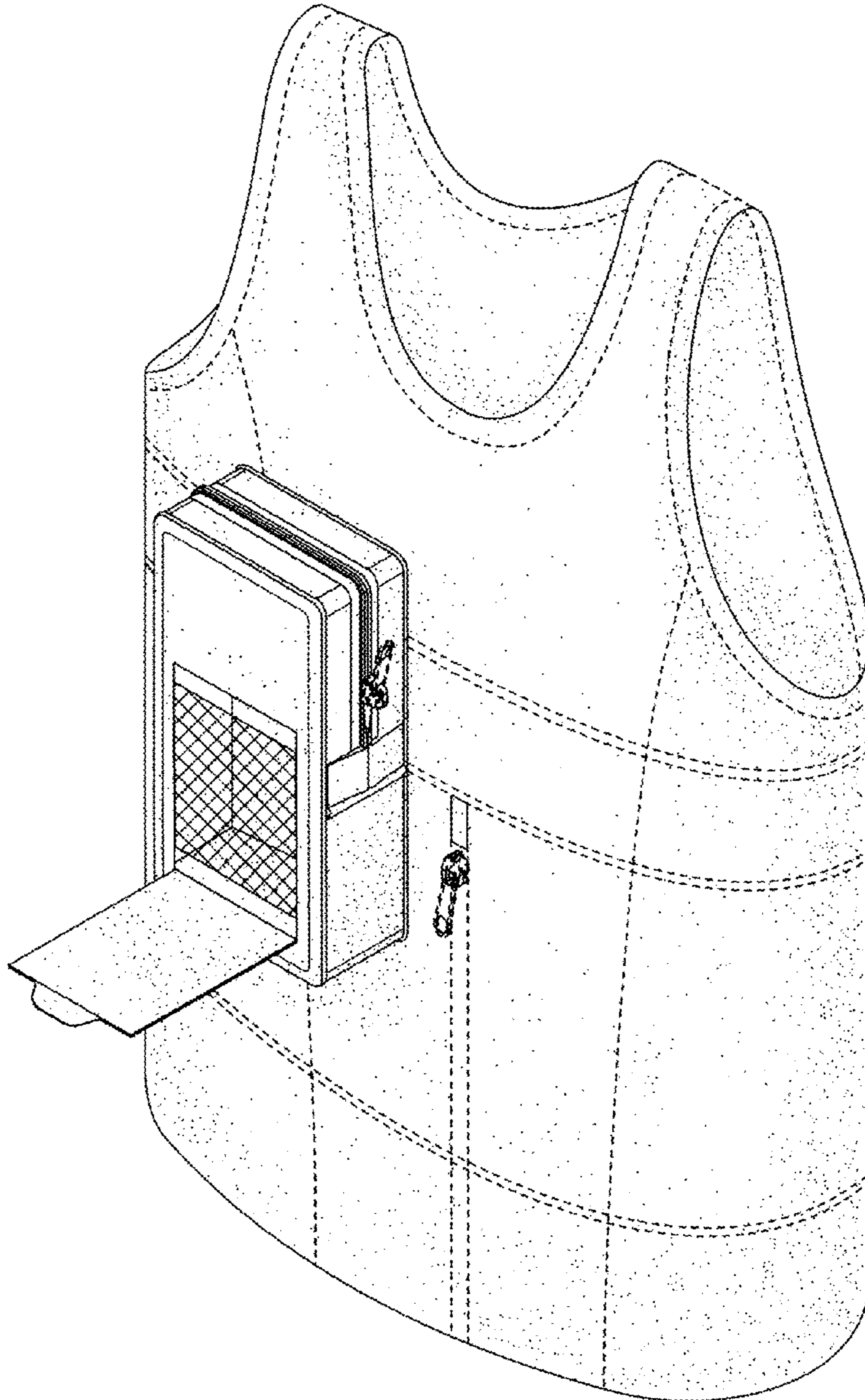


FIG. 8