



US00D764144S

(12) **United States Design Patent**  
**Cristoforo**

(10) **Patent No.:** **US D764,144 S**  
(45) **Date of Patent:** **\*\* Aug. 23, 2016**

(54) **PANTS**

(71) Applicant: **Daydream Believers, LLC**, Stuart, FL (US)

(72) Inventor: **Michael Cristoforo**, Palm City, FL (US)

(73) Assignee: **Daydream Believers, LLC**, Stuart, FL (US)

(\*\*) Term: **14 Years**

(21) Appl. No.: **29/514,482**

(22) Filed: **Jan. 13, 2015**

(51) **LOC (10) Cl.** ..... **02-02**

(52) **U.S. Cl.**  
USPC ..... **D2/742**

(58) **Field of Classification Search**  
USPC ..... D2/742, 626, 712; D5/41; 2/237, 93, 2/69; 128/961.1; D11/125, 167; D30/152; 450/11  
CPC ..... A41F 9/02; A41F 9/025; A41F 9/00; A41C 1/06; A41D 27/20  
See application file for complete search history.

(56) **References Cited**

**U.S. PATENT DOCUMENTS**

D29,608	S	*	11/1898	Peterson	.....	D5/41
D77,686	S	*	2/1929	Gold et al.	.....	D2/626
2,159,353	A	*	5/1939	Chieffo et al.	.....	A41F 9/02
						2/237
4,188,672	A	*	2/1980	Kalso	.....	A41F 9/025
						128/96.1
D276,798	S	*	12/1984	Joseph	.....	D11/125
D294,657	S	*	3/1988	Weidman	.....	D2/626
D295,915	S	*	5/1988	Baptiste	.....	D2/742
D316,473	S	*	4/1991	Weidman	.....	D2/626
D339,220	S	*	9/1993	Buziol	.....	D2/742
6,327,714	B1	*	12/2001	Koerner	.....	A41F 9/00
						2/227
D462,035	S	*	8/2002	Liu	.....	D11/167
D481,192	S	*	10/2003	Davis, II	.....	D2/712
D552,328	S	*	10/2007	Smith	.....	D2/742

D559,473	S	*	1/2008	Nguyen	.....	D30/152
D647,689	S	*	11/2011	Girbaud	.....	D2/742
D663,922	S	*	7/2012	Karik	.....	D2/742
D666,788	S	*	9/2012	Hines	.....	D2/742
D679,483	S	*	4/2013	Fuerst	.....	D2/742
D679,890	S	*	4/2013	Persaud	.....	D2/742
D683,521	S	*	6/2013	Garcia	.....	D2/742
2010/0136882	A1	*	6/2010	Malish	.....	A41C 1/06
						450/11
2010/0299804	A1	*	12/2010	Huang	.....	A41D 1/06
						2/93
2011/0185470	A1	*	8/2011	Jones	.....	A41D 27/20
						2/69

**OTHER PUBLICATIONS**

Star Jeggings: Belle La Vie, Announced Nov. 9, 2013 [Site Visited Apr. 14, 2016] <http://bellela-vie.com/products/star-jeggings>.  
How to Wear Star-Printed Skinny Jeans Like Shenae Grimes, Announced Aug. 24, 2013, [Site Visited Apr. 14, 2016] <http://jeans.yournextshoes.com/2013/08/shenae-grimes-star-printed-jeans/>.

\* cited by examiner

*Primary Examiner* — John Windmuller

*Assistant Examiner* — Luqman McNeil

(74) *Attorney, Agent, or Firm* — McHale & Slavin, P.A.

(57) **CLAIM**

The ornamental design for pants, as shown and described.

**DESCRIPTION**

FIG. 1 is a top left perspective view of the pants of the present invention;

FIG. 2 is a front view thereof;

FIG. 3 is a partial enlarged view taken along lines 3-3 of FIG. 2;

FIG. 4 is a right side view thereof;

FIG. 5 is a left side view thereof;

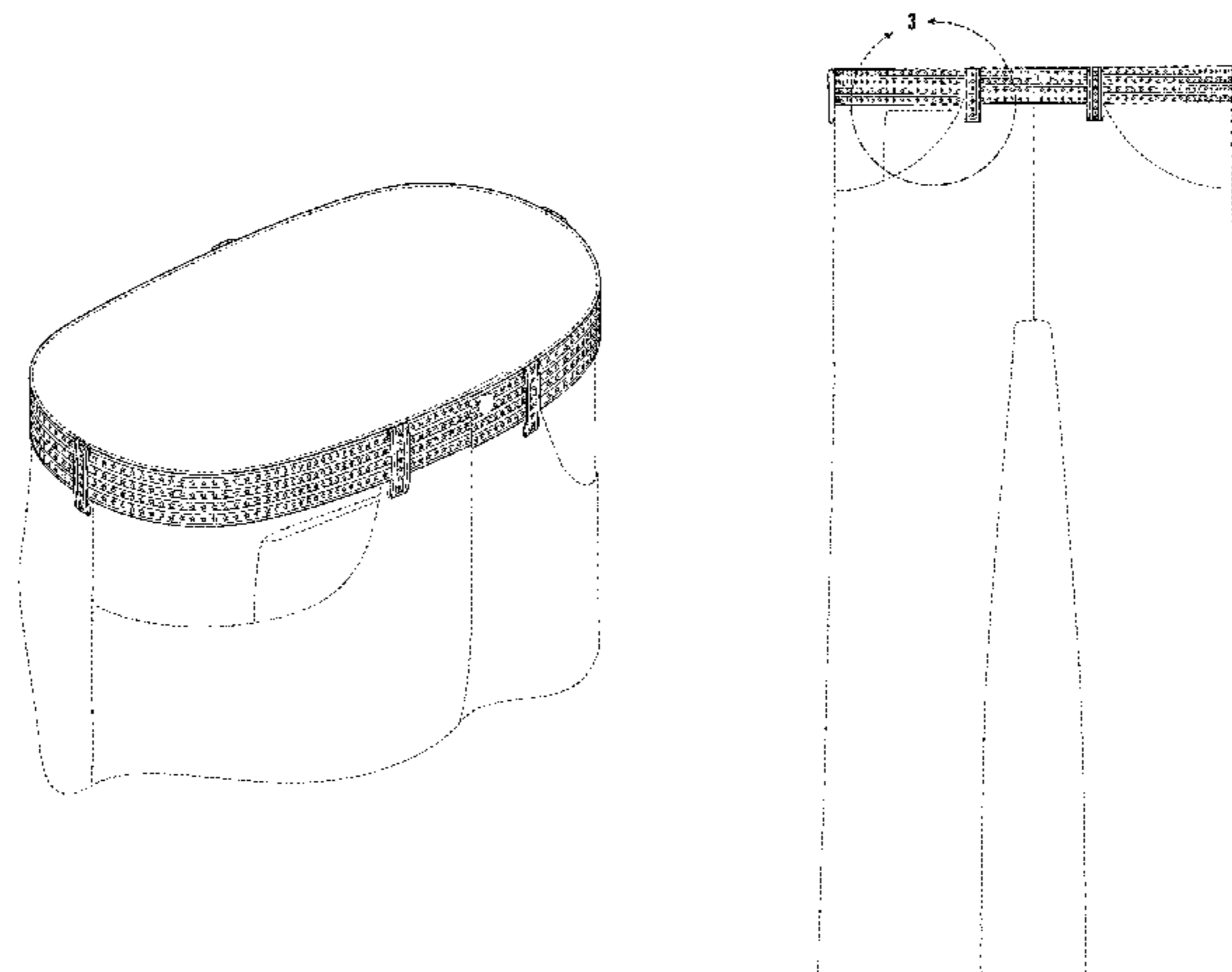
FIG. 6 is a rear view thereof;

FIG. 7 is a top view thereof; and,

FIG. 8 is a bottom view thereof.

The broken lines represent portions of the pants that form no part of the claimed design.

**1 Claim, 6 Drawing Sheets**



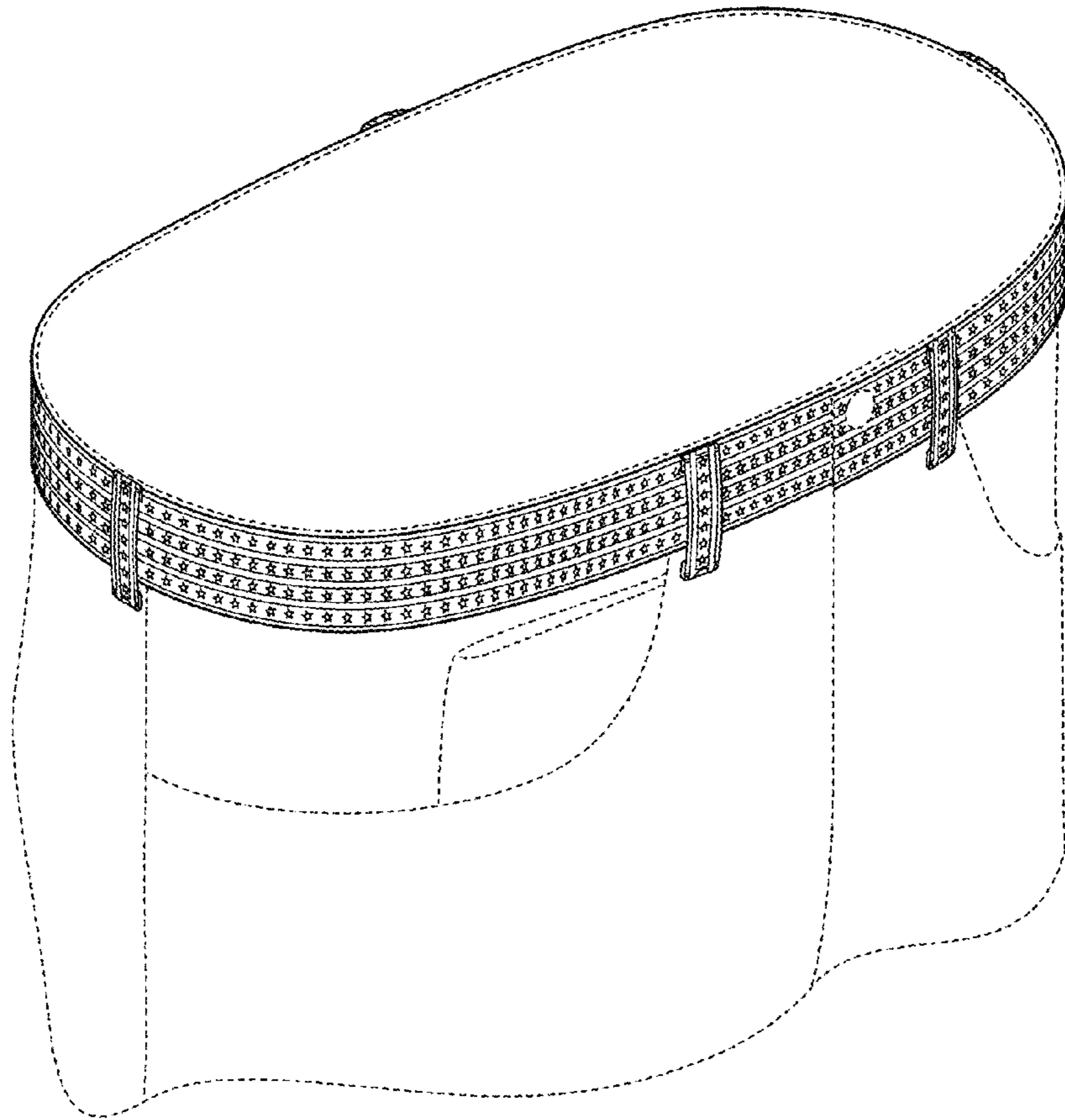


FIG. 1

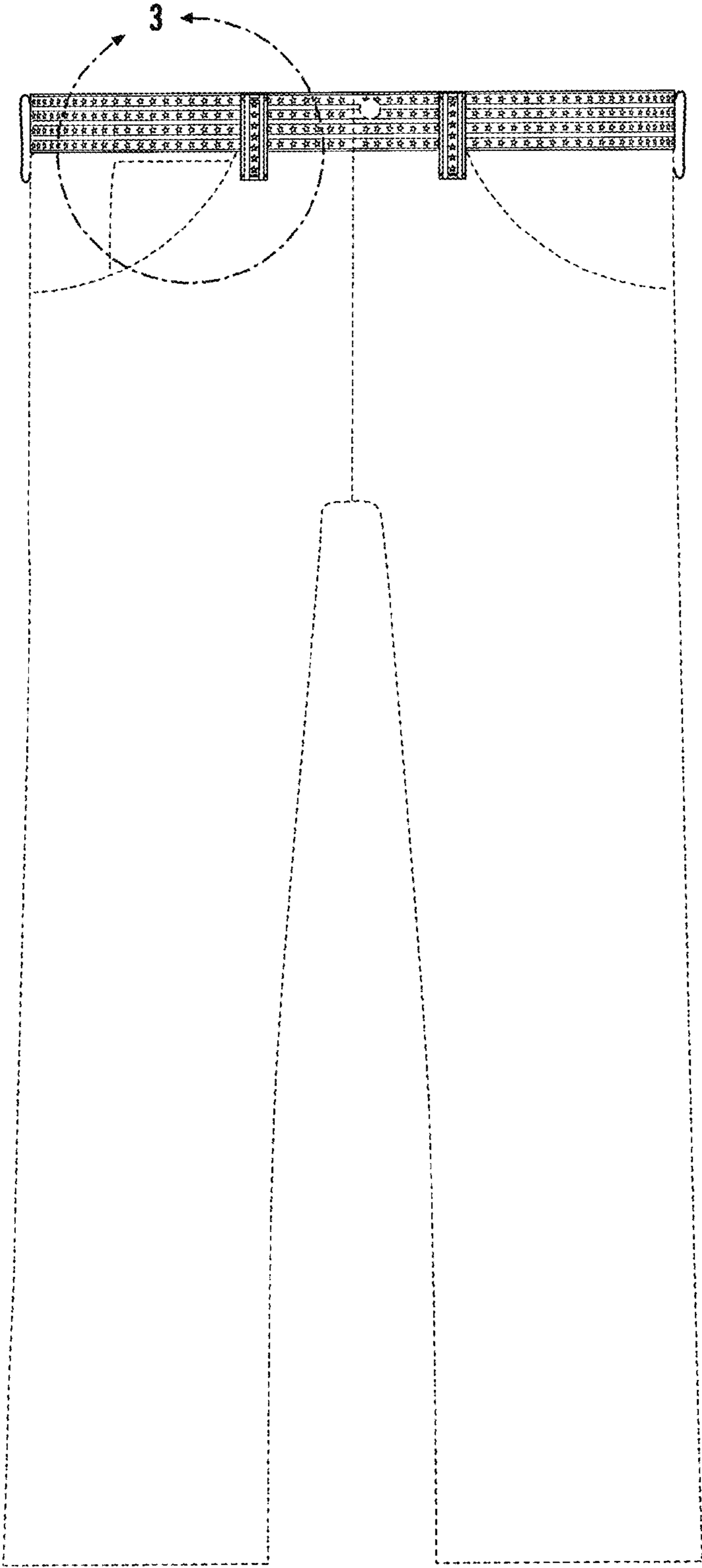


FIG. 2

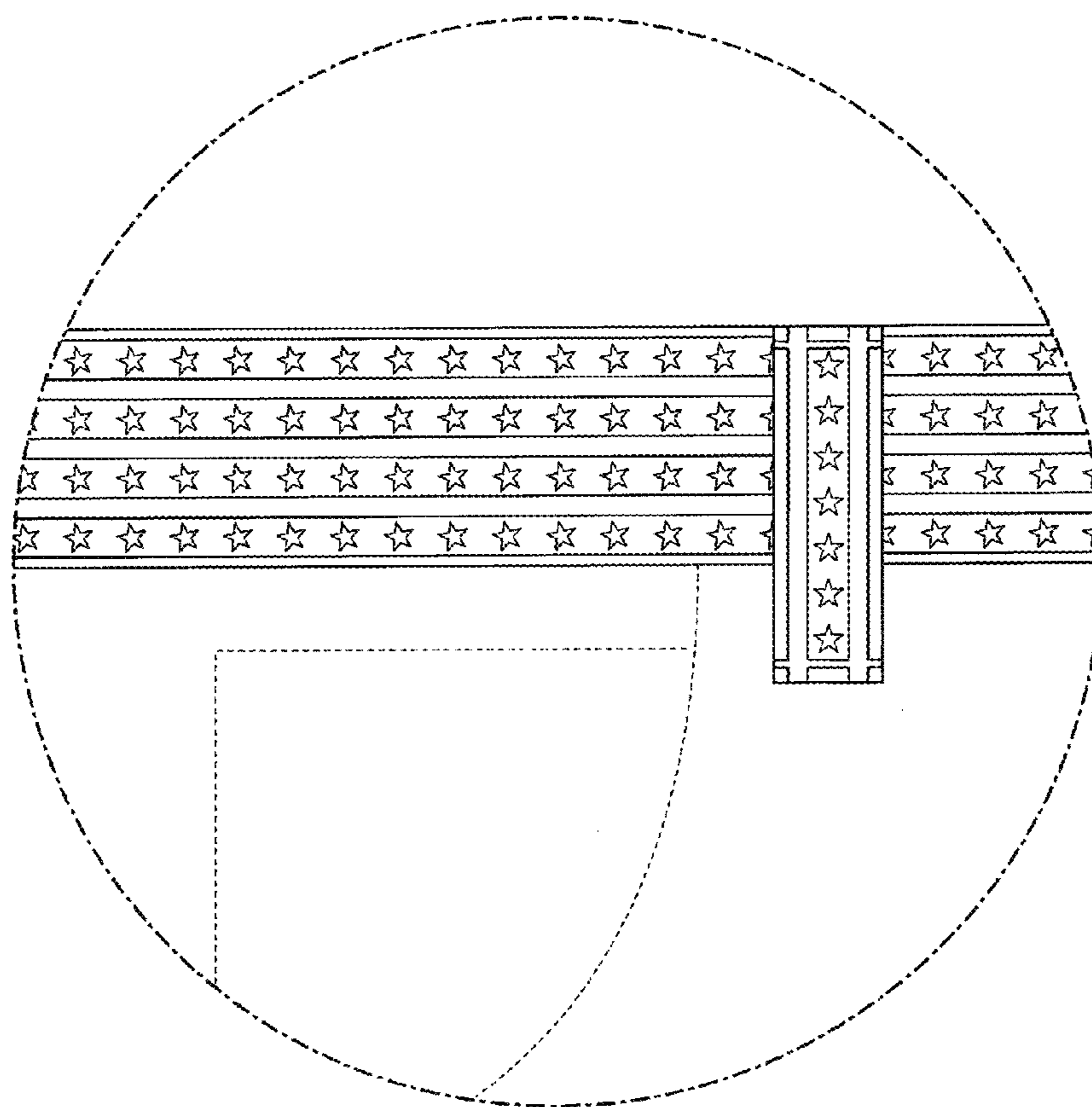


FIG. 3

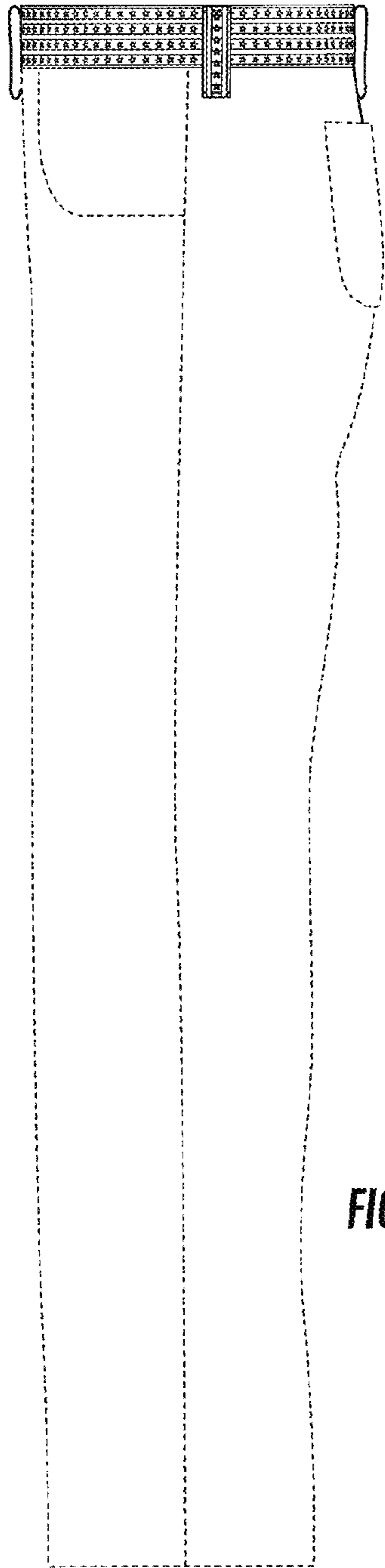


FIG. 4

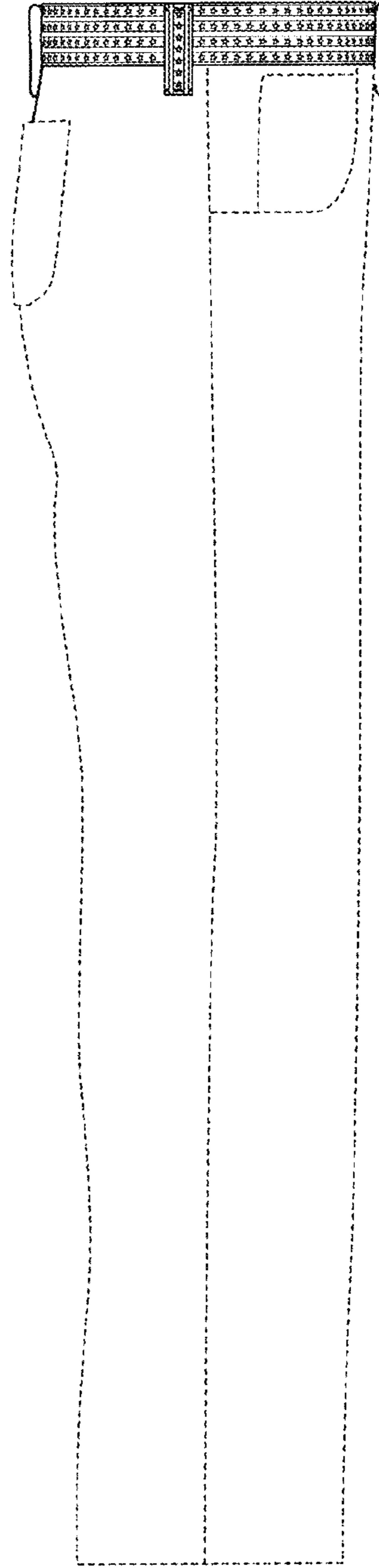


FIG. 5

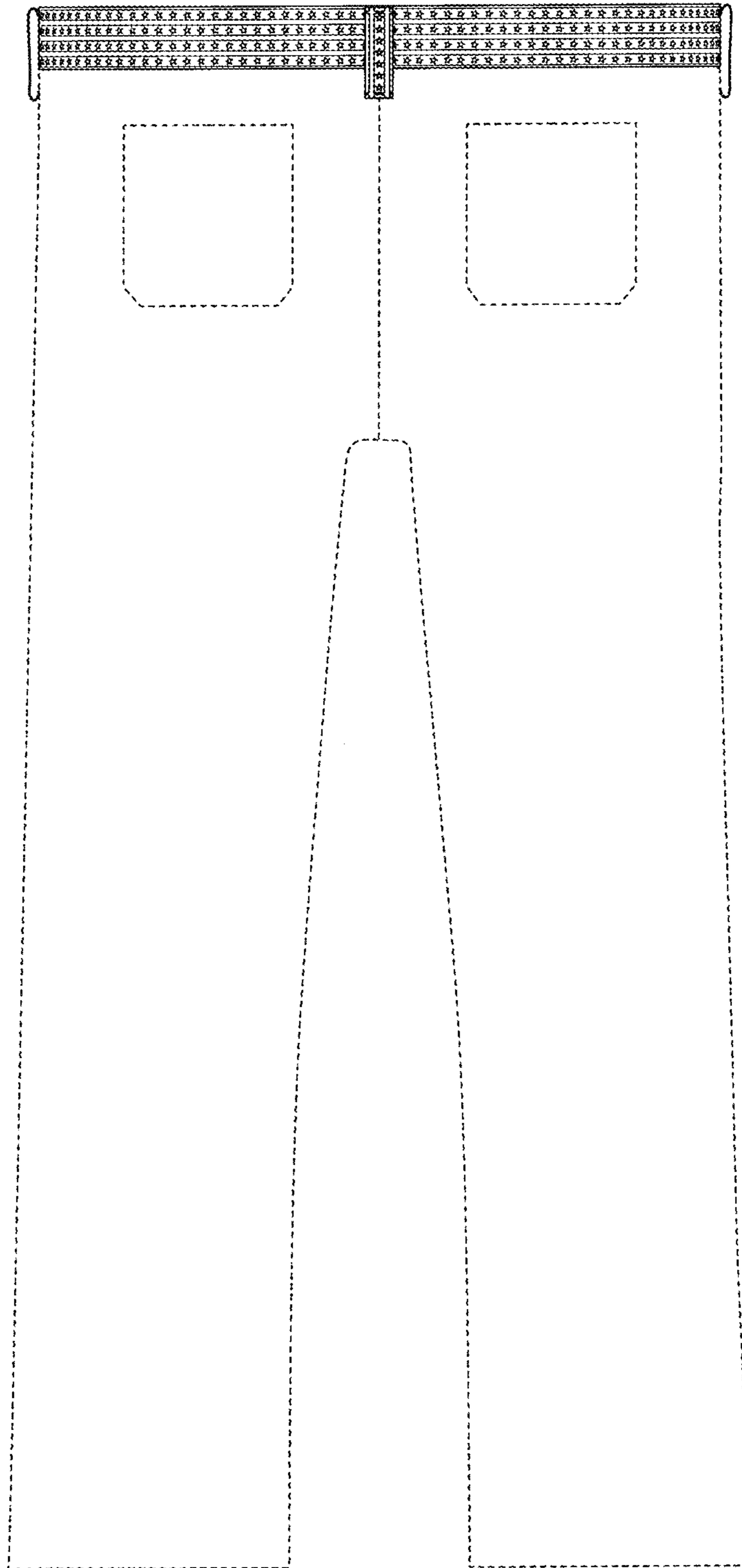
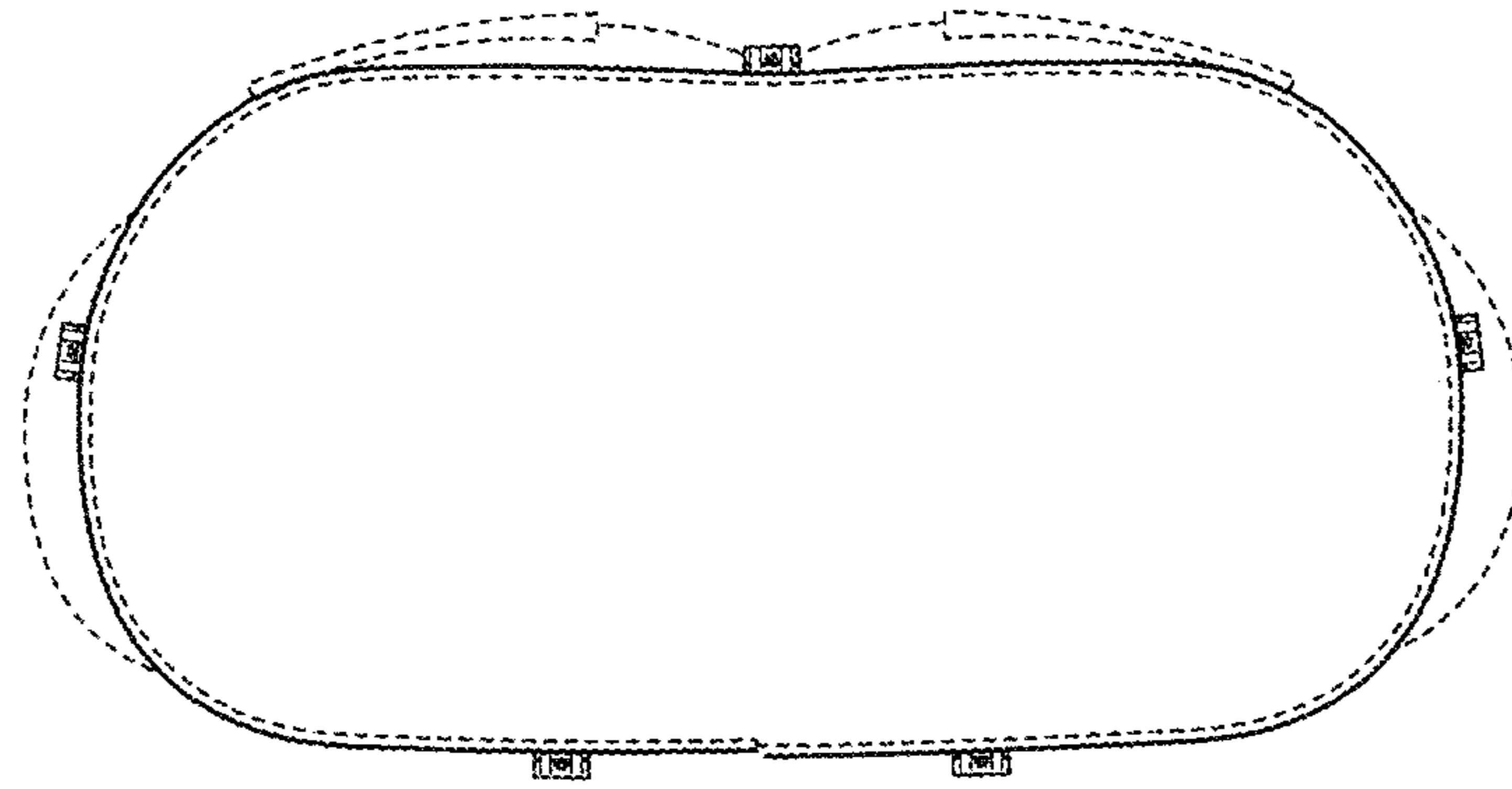
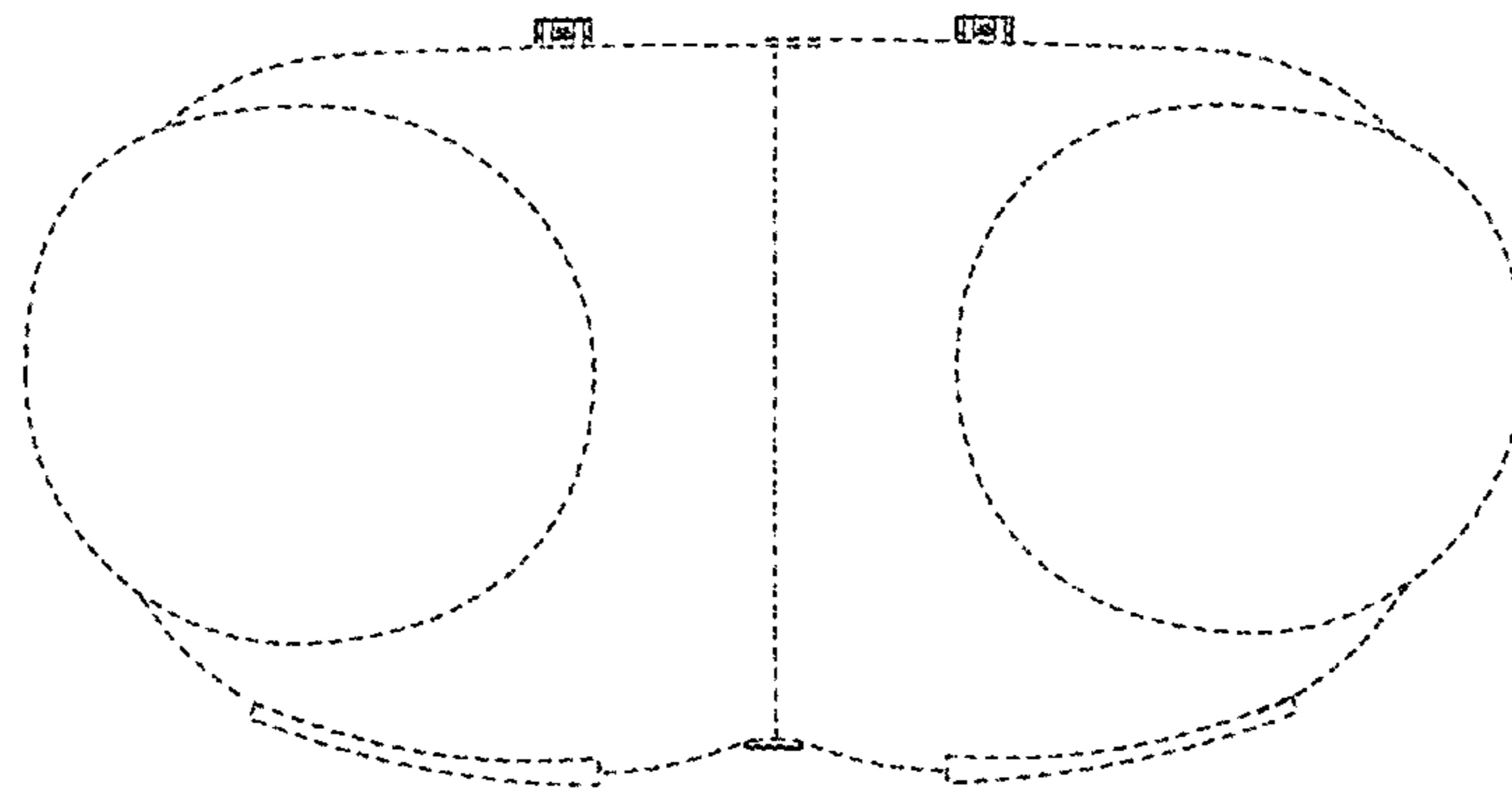


FIG. 6



**FIG. 7**



**FIG. 8**