

US00D764143S

(12) **United States Design Patent** (10) **Patent No.:** **US D764,143 S**
Gallo et al. (45) **Date of Patent:** **** Aug. 23, 2016**

(54) **SHORT PANTS**

(56) **References Cited**

(71) Applicant: **Reebok International Limited**, London (GB)

U.S. PATENT DOCUMENTS

(72) Inventors: **Christopher Gallo**, Plymouth, MA (US); **Marc Leonardo**, Millis, MA (US); **Ryan J. Catalano**, Marshfield, MA (US)

D266,540 S *	10/1982	Nacinovich	D2/738
D339,902 S *	10/1993	Doherty	D2/738
D360,516 S *	7/1995	Persinger	D2/738
D404,185 S *	1/1999	Lanter et al.	D2/738
D507,858 S *	8/2005	Ota et al.	D2/742
D508,304 S *	8/2005	Ota et al.	D2/742
D512,203 S *	12/2005	Ota et al.	D2/742
D514,280 S *	2/2006	Ota et al.	D2/731
D529,686 S *	10/2006	Ota et al.	D2/742
D615,279 S *	5/2010	Savage	D2/731
D701,676 S *	4/2014	Savage	D2/738
D714,523 S *	10/2014	Stinson et al.	D2/738
D721,871 S *	2/2015	Thorn et al.	D2/731

(73) Assignee: **Reebok International Limited**, London (GB)

(**) Term: **14 Years**

* cited by examiner

(21) Appl. No.: **29/486,451**

Primary Examiner — Caron D Veynar

(22) Filed: **Mar. 28, 2014**

Assistant Examiner — Abraham Bahta

(51) **LOC (10) Cl.** **02-02**

(74) *Attorney, Agent, or Firm* — Sterne, Kessler, Goldstein & Fox P.L.L.C.

(52) **U.S. Cl.**

USPC **D2/731**

(57) **CLAIM**

(58) **Field of Classification Search**

USPC D2/731, 742, 712, 738, 748, 700, 736, D2/728, 988, 994; 2/227, 228, 238, 2/113-115, 220-221, 400-405, 212-213, 2/78.1-78.3, 243.1, 239, 912, 2.17, 2/79-80

The ornamental design for short pants, as shown and described.

DESCRIPTION

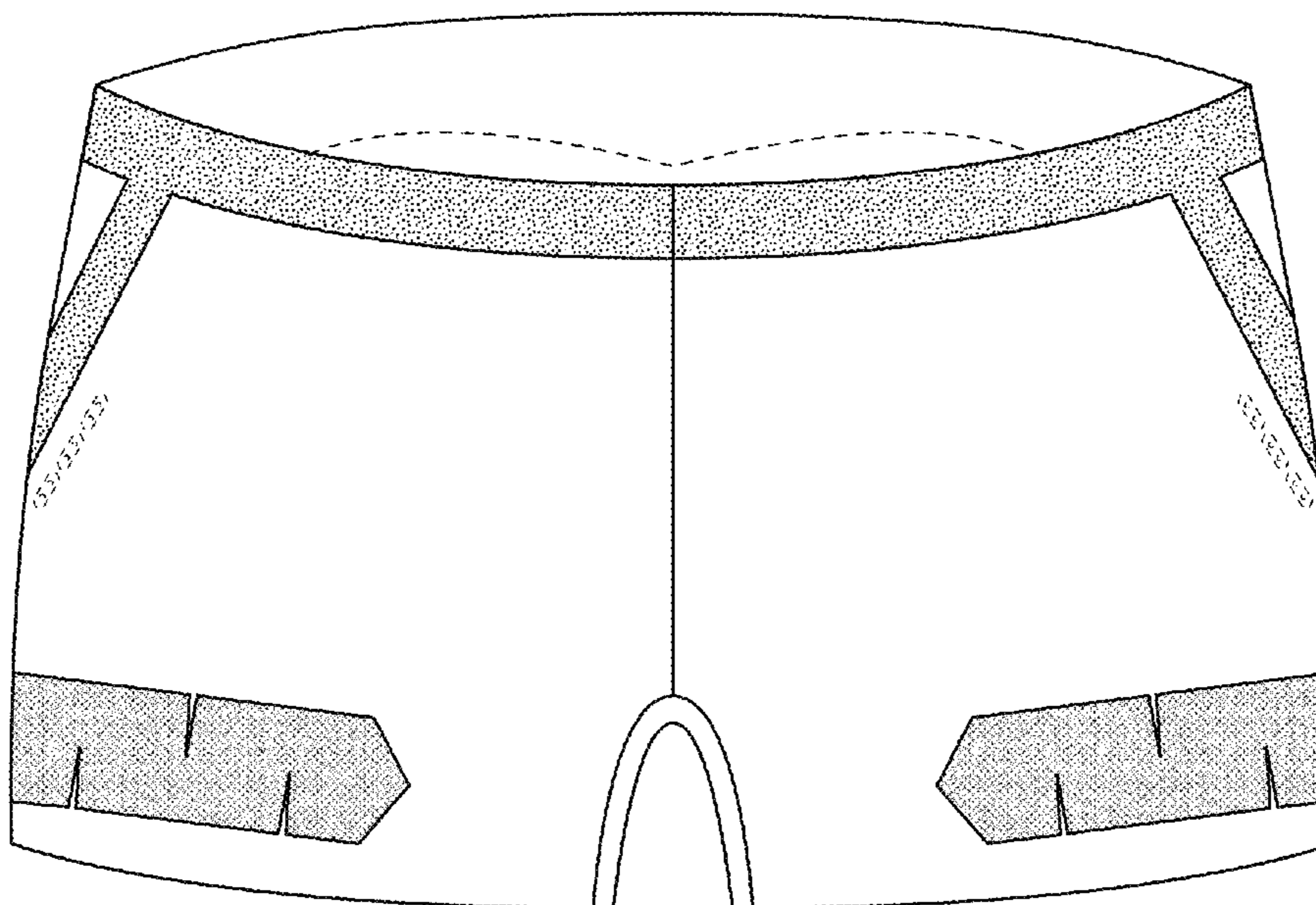
CPC A41D 1/06; A41D 1/08; A41D 1/067; A41D 7/00; A41D 7/001; A41D 7/005; A41D 7/006; A41D 2600/10; A41D 2600/102; A41D 2600/104; A41D 2600/106; A41D 2600/108

FIG. 1 is a front view of short pants showing our new design; FIG. 2 is a rear view thereof; and, FIG. 3 is a side view thereof.

The broken lines in the Figures show environment for illustrative purposes only and form no part of the claimed design.

See application file for complete search history.

1 Claim, 3 Drawing Sheets



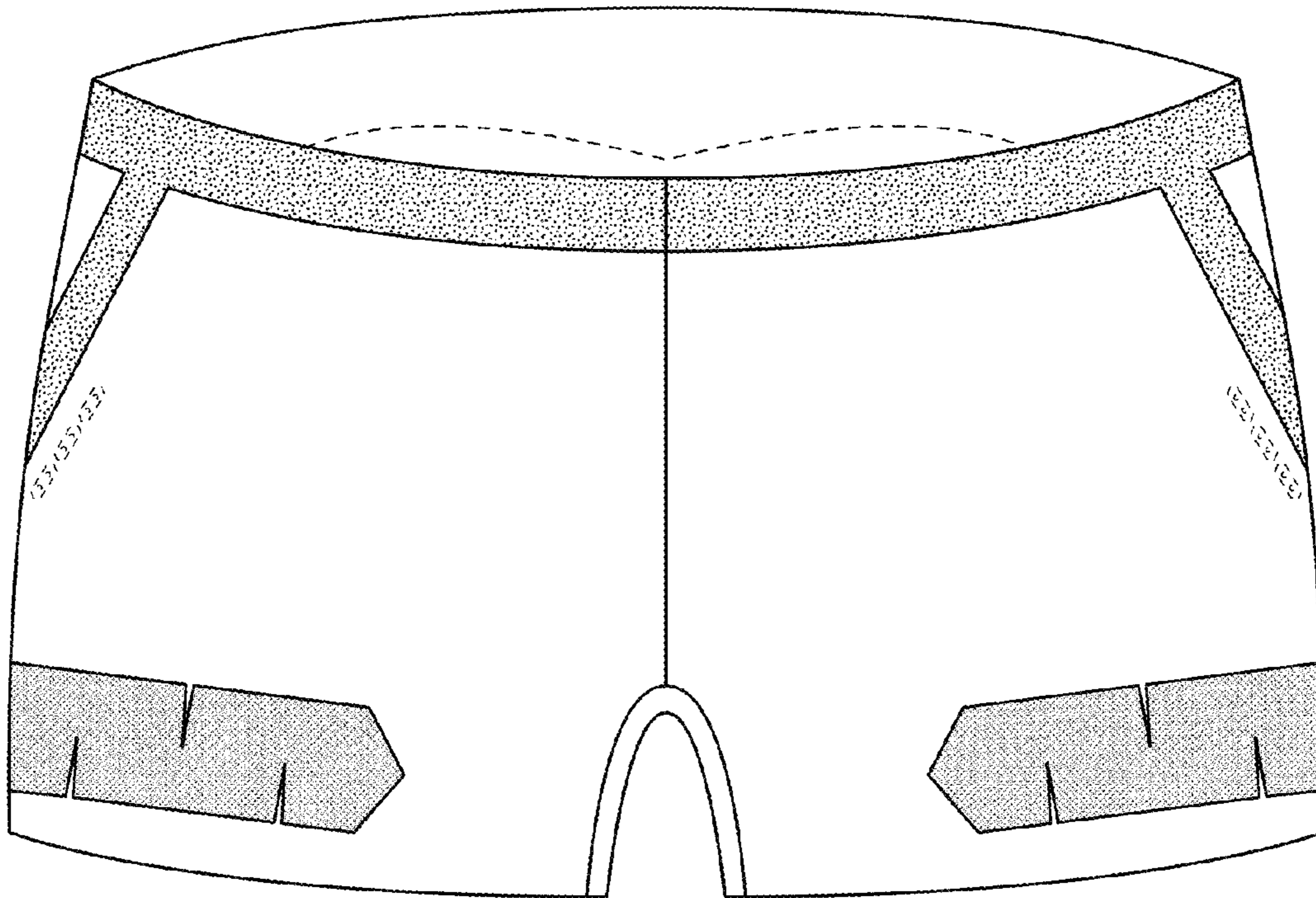


FIG. 1

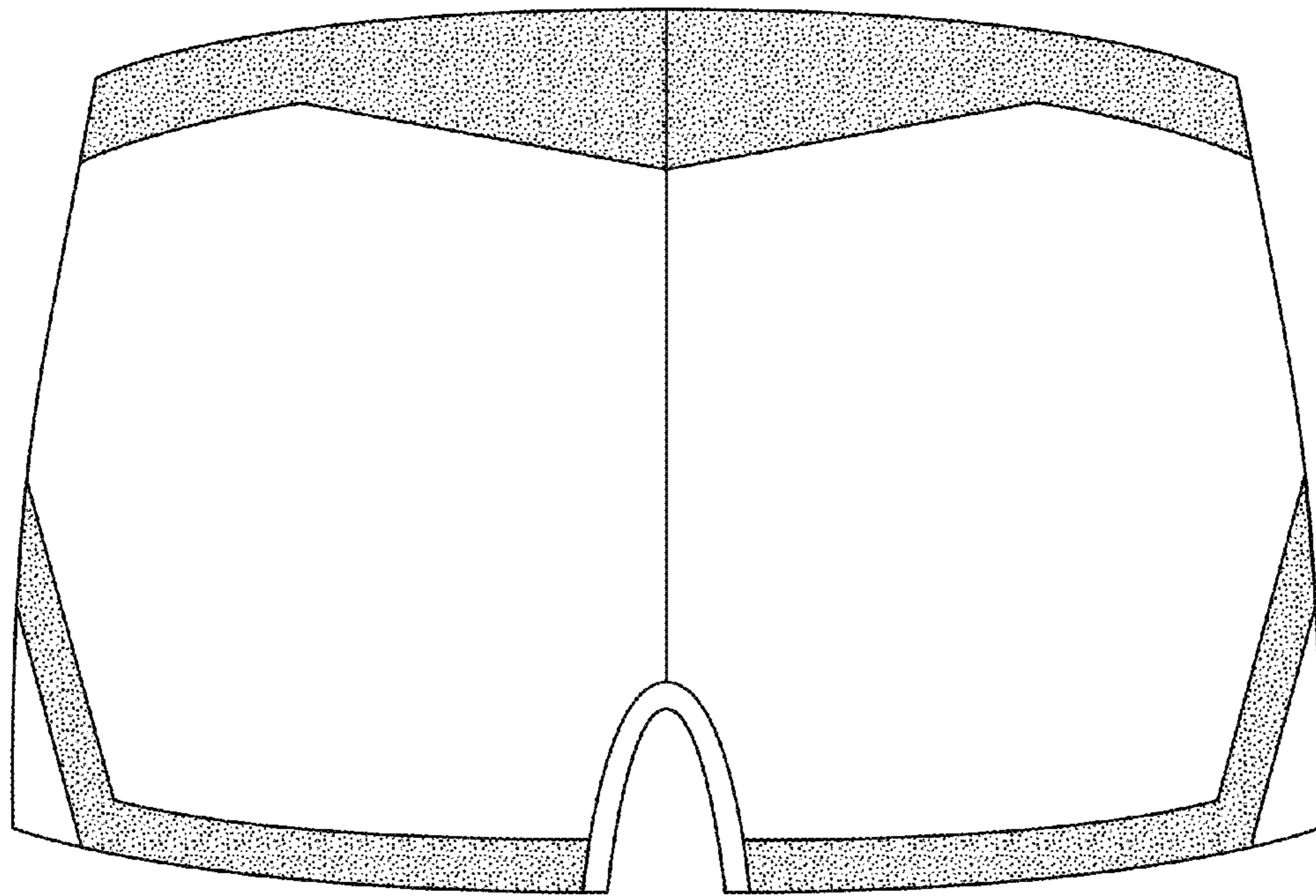


FIG. 2

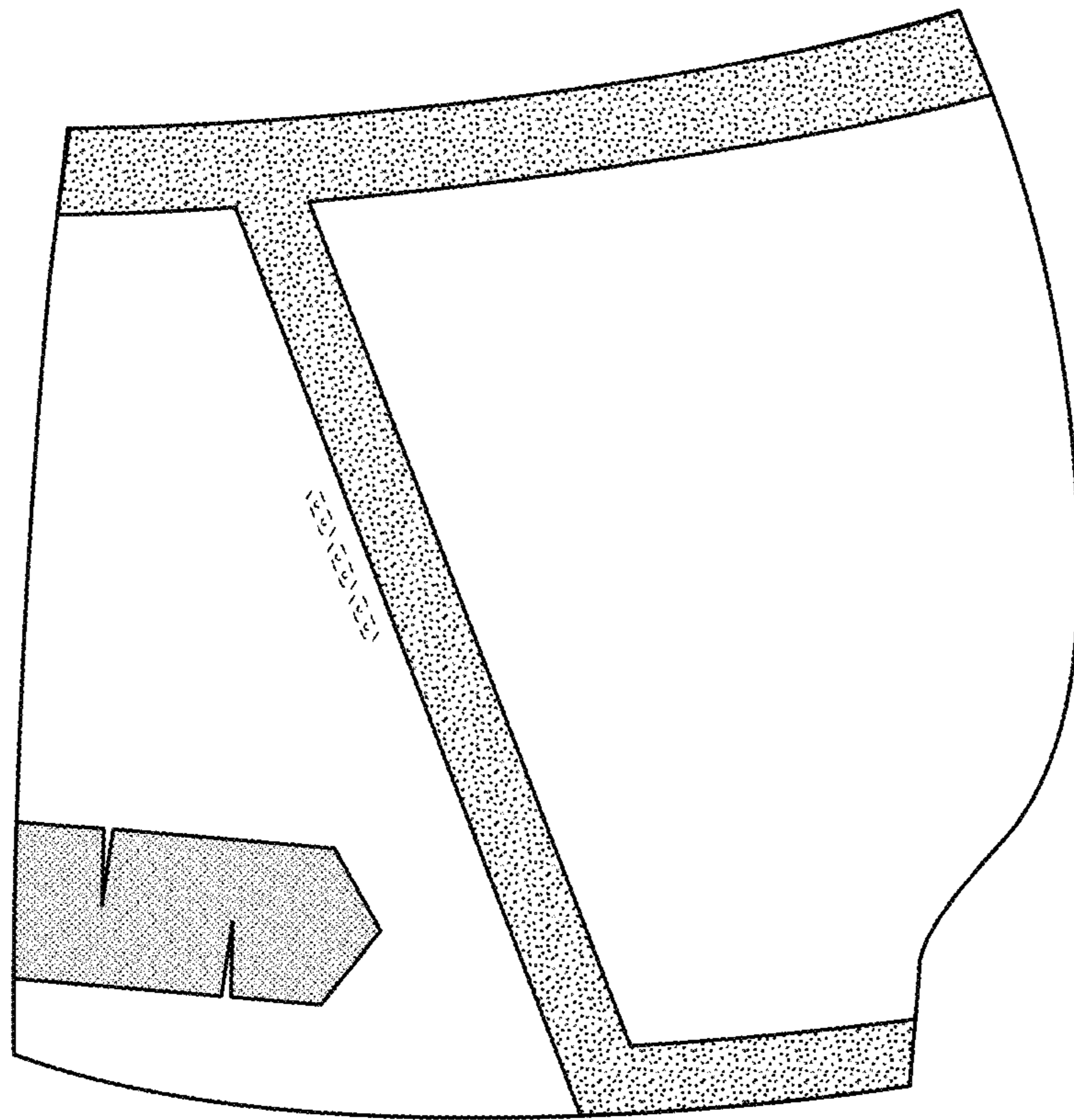


FIG. 3