



US00D764140S

(12) **United States Design Patent**
Holzhaeuser

(10) **Patent No.:** **US D764,140 S**

(45) **Date of Patent:** **** Aug. 16, 2016**

(54) **PROFILE RAIL FOR OVERHEAD CRANE**

(71) Applicant: **Lars Holzhaeuser**, Wiehl (DE)

(72) Inventor: **Lars Holzhaeuser**, Wiehl (DE)

(73) Assignee: **EEPOS GMBH**, Wiehl (DE)

(**) Term: **14 Years**

(21) Appl. No.: **29/503,219**

(22) Filed: **Sep. 24, 2014**

(30) **Foreign Application Priority Data**

Jun. 17, 2014 (EM) 002484022

(51) **LOC (10) Cl.** **12-05**

(52) **U.S. Cl.**
USPC **D34/35; D34/33; D25/124**

(58) **Field of Classification Search**
USPC D34/33, 35; D25/124, 119, 122, 136;
52/204.5, 204.56, 204.51; 212/223,
212/303, 261, 347, 177
CPC . E04H 12/2292; E01F 15/0469; E02D 27/00;
E02D 27/01; E02D 27/02

See application file for complete search history.

(56) **References Cited**

U.S. PATENT DOCUMENTS

4,003,168	A *	1/1977	Brady	B66C 23/701 212/347
D315,027	S *	2/1991	Abbestam	D25/124
D366,322	S *	1/1996	Palermo	D25/124
D376,855	S *	12/1996	Leung	D25/119
D394,716	S *	5/1998	Rinot	D25/124
D521,656	S *	5/2006	Terrels	D25/122
D587,731	S *	3/2009	Niedermeyer	D15/136
D611,673	S *	3/2010	Andrews	D34/35
D613,883	S *	4/2010	Staten	D25/126
D655,884	S *	3/2012	Spies	D34/35
D660,544	S *	5/2012	Onayama	D25/119
D670,474	S *	11/2012	Koch	D34/35
D745,299	S *	12/2015	Chang	D25/124

* cited by examiner

Primary Examiner — Cynthia Ramirez

(74) *Attorney, Agent, or Firm* — Andrew Wilford

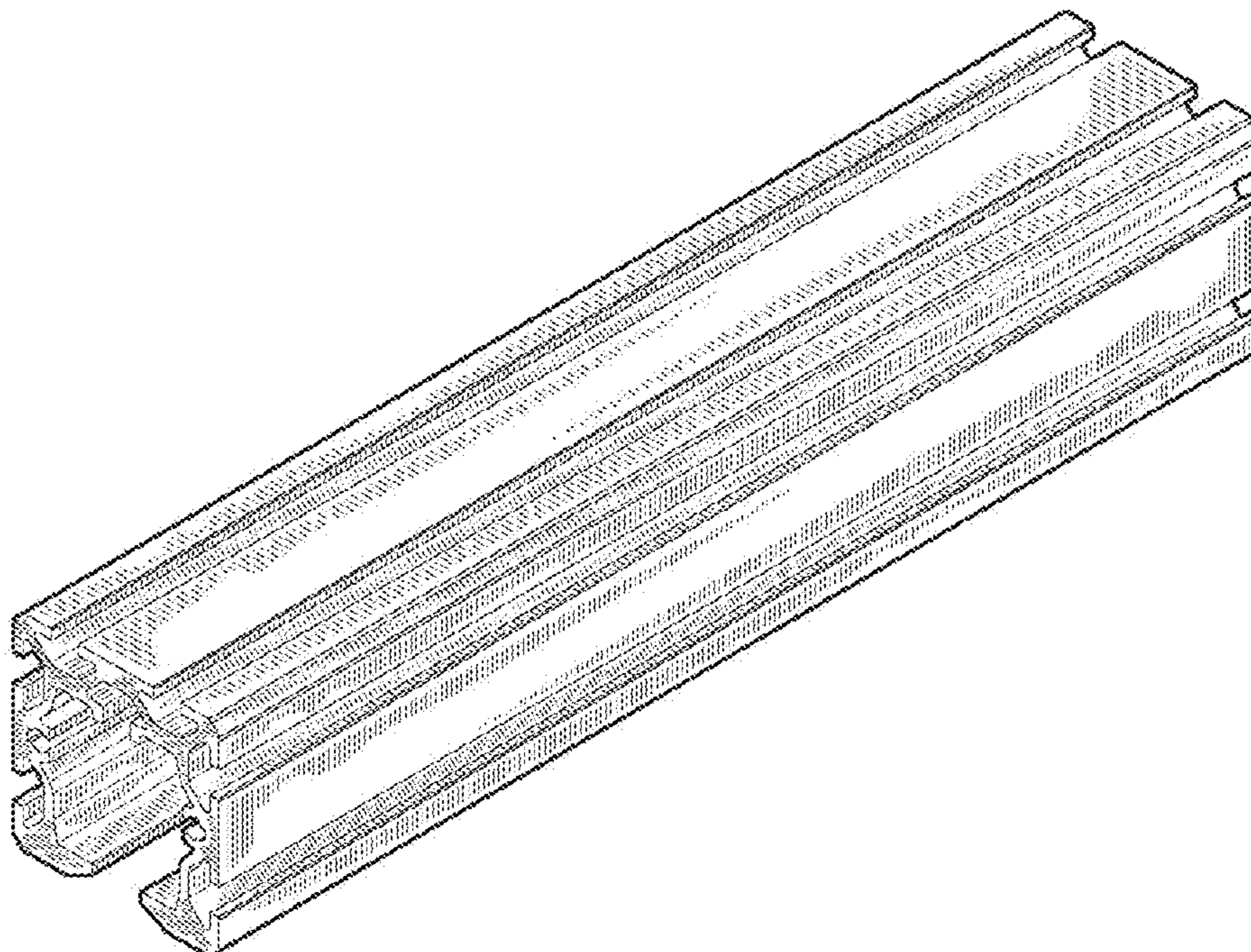
(57) **CLAIM**

The ornamental design for a profile rail for overhead crane, as shown and described.

DESCRIPTION

FIG. 1 is an isometric view of a profile rail for overhead crane showing my new design;
FIG. 2 is an end view thereof;
FIG. 3 is a top view of the invention, the right side and left side being identical thereto; and,
FIG. 4 is a bottom view thereof.

1 Claim, 2 Drawing Sheets



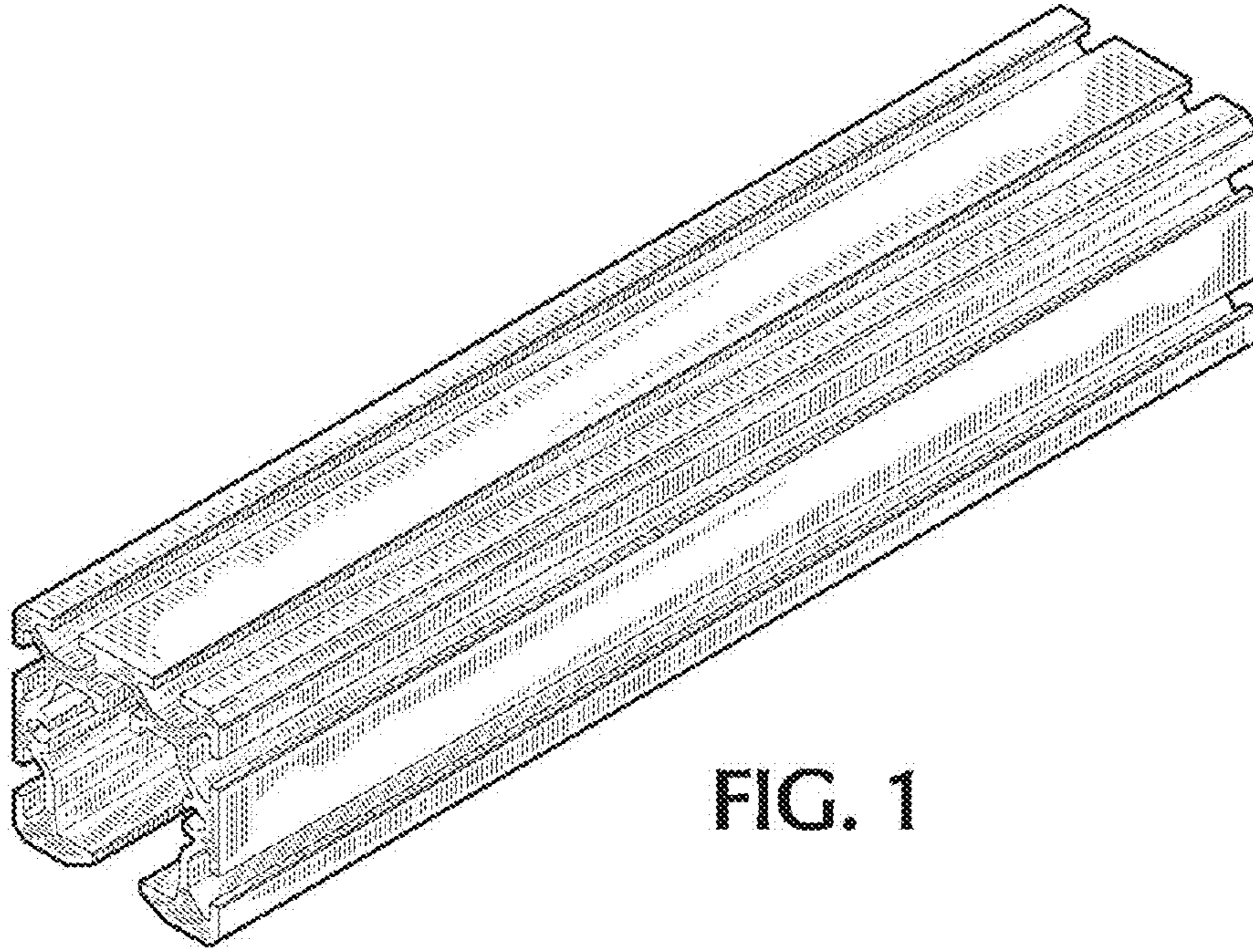


FIG. 1

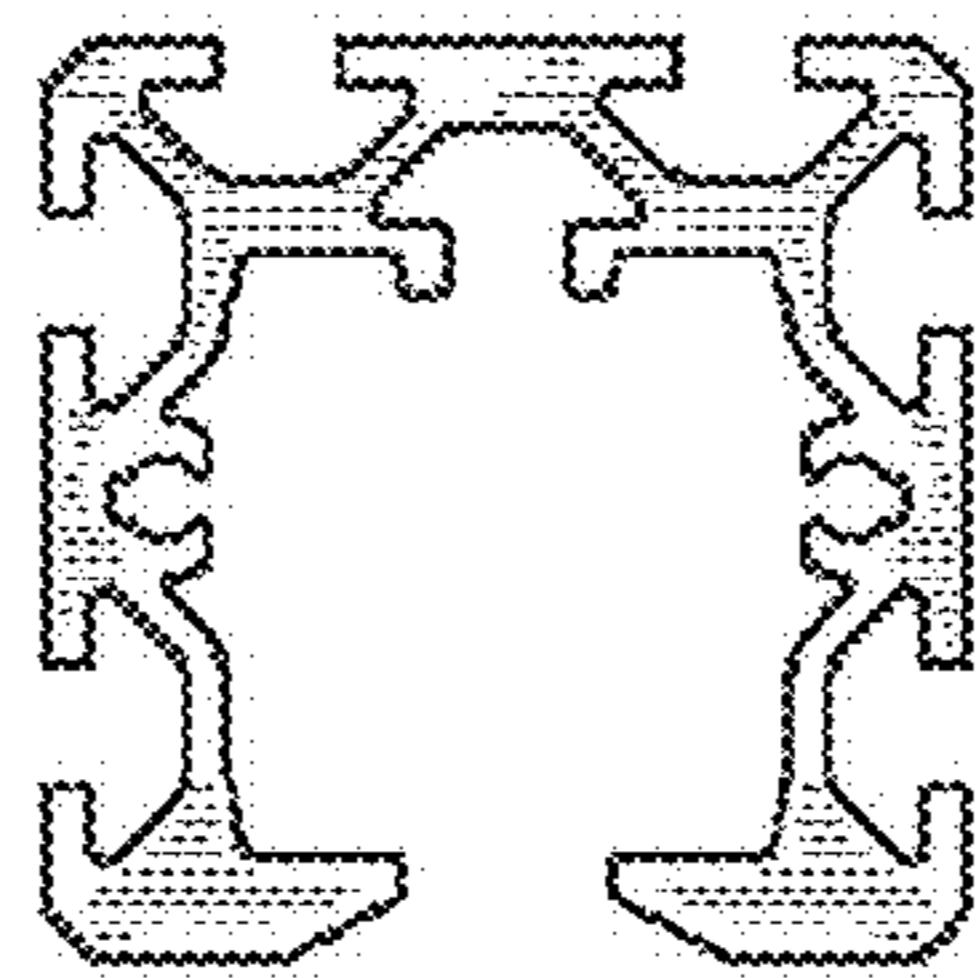


FIG. 2



FIG. 3

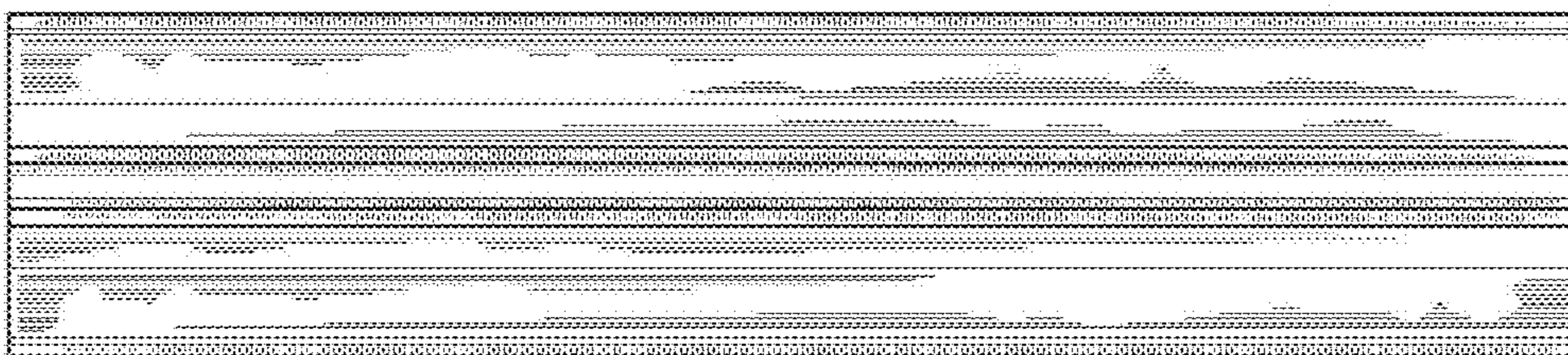


FIG. 4