



US00D764139S

(12) **United States Design Patent**  
**Tsai**

(10) **Patent No.:** **US D764,139 S**  
(45) **Date of Patent:** **\*\* Aug. 16, 2016**

(54) **ELECTRIC CHAIN HOIST**  
(71) Applicant: **Chizong Machine Co., Ltd.**, New Taipei (TW)  
(72) Inventor: **Chi-Jung Tsai**, New Taipei (TW)  
(73) Assignee: **Chizong Machine Co., Ltd.**, New Taipei (TW)

7,097,157 B1 \* 8/2006 Lodrick ..... B66D 3/18  
211/105.4  
D677,853 S \* 3/2013 Gans ..... D34/33  
D679,474 S \* 4/2013 Beaussart ..... D34/33  
D706,514 S \* 6/2014 Weingartner ..... D34/33  
D744,188 S \* 11/2015 van der Zijde ..... D34/33  
2015/0090946 A1 \* 4/2015 Schwaiger ..... B66D 3/26  
254/362

(\*\*) Term: **14 Years**  
(21) Appl. No.: **29/516,307**

\* cited by examiner  
*Primary Examiner* — Cynthia Ramirez  
(74) *Attorney, Agent, or Firm* — C. G. Mersereau; Nikolai & Mersereau, P.A.

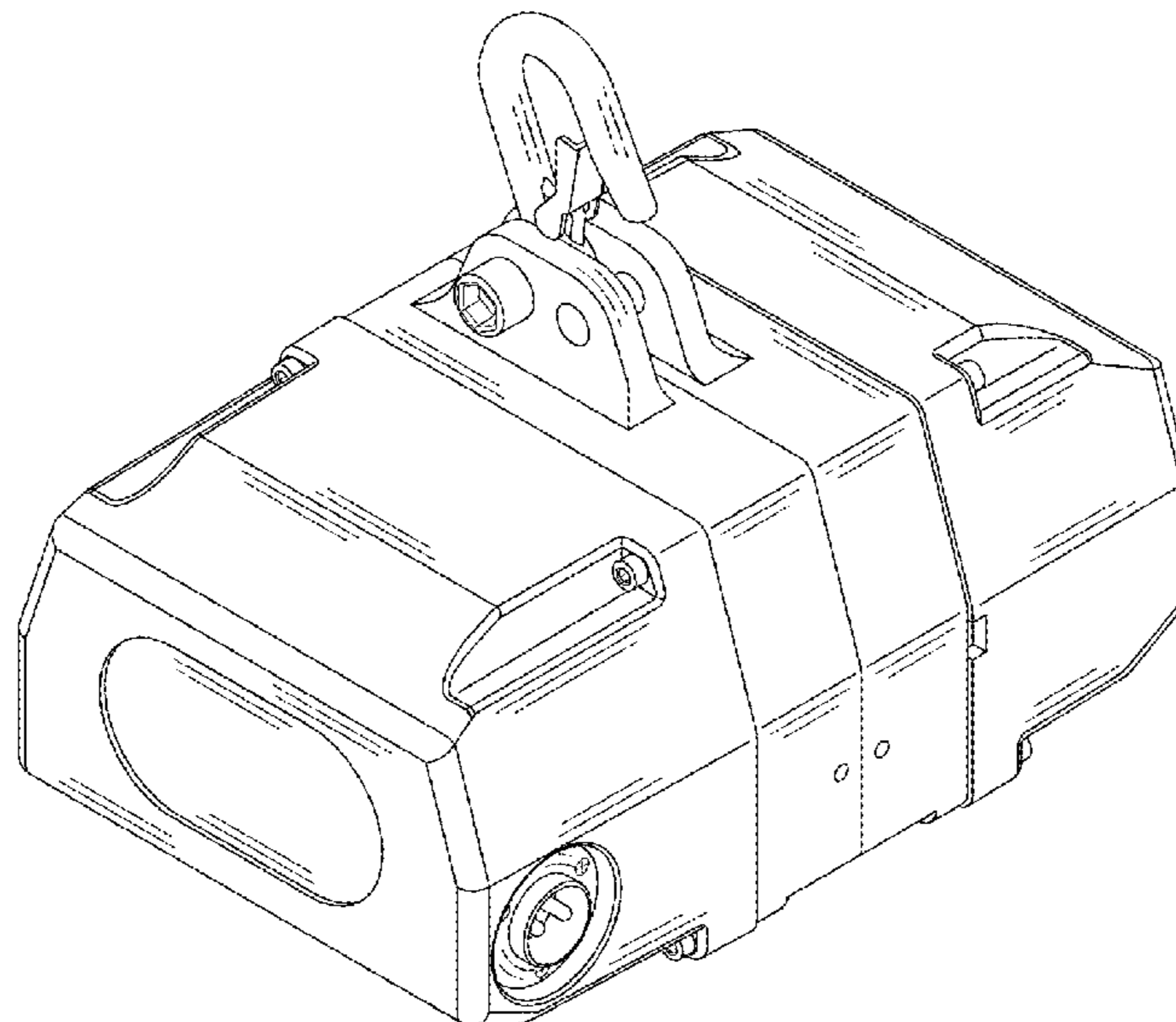
(22) Filed: **Jan. 30, 2015**  
(51) **LOC (10) Cl.** ..... **12-05**  
(52) **U.S. Cl.**  
USPC ..... **D34/33**  
(58) **Field of Classification Search**  
USPC ..... D34/28, 33, 32; 254/372, 270, 346,  
254/350, 266, 359, 366, 276, 360, 268, 390,  
254/334, 389, 358, 405  
CPC ..... B66D 1/46; B66D 1/36; B66D 1/7489;  
B66D 1/04; B66D 1/225; B66D 1/12; B66D  
1/14; B66D 1/20; B66D 1/30; B66D 1/34;  
B66D 1/485  
See application file for complete search history.

(57) **CLAIM**  
The ornamental design for an electric chain hoist, as shown and described.

(56) **References Cited**  
U.S. PATENT DOCUMENTS  
5,573,091 A \* 11/1996 Hung ..... B66D 1/16  
192/12 D  
6,241,215 B1 \* 6/2001 Gersemsky ..... A61G 7/1015  
254/342

**DESCRIPTION**  
FIG. 1 is a perspective view of the electric chain hoist  
FIG. 2 is a front elevation view thereof;  
FIG. 3 is a rear elevation view thereof;  
FIG. 4 is a left side elevation view thereof;  
FIG. 5 is a right side elevation view thereof;  
FIG. 6 is a top plan view thereof;  
FIG. 7 is a perspective view thereof showing an example in use; and,  
FIG. 8 is a perspective view thereof showing an example in use.  
The broken lines shown in the figures are included for the purpose of illustrating portions of the electric chain hoist and form no part of the claimed design.

**1 Claim, 6 Drawing Sheets**



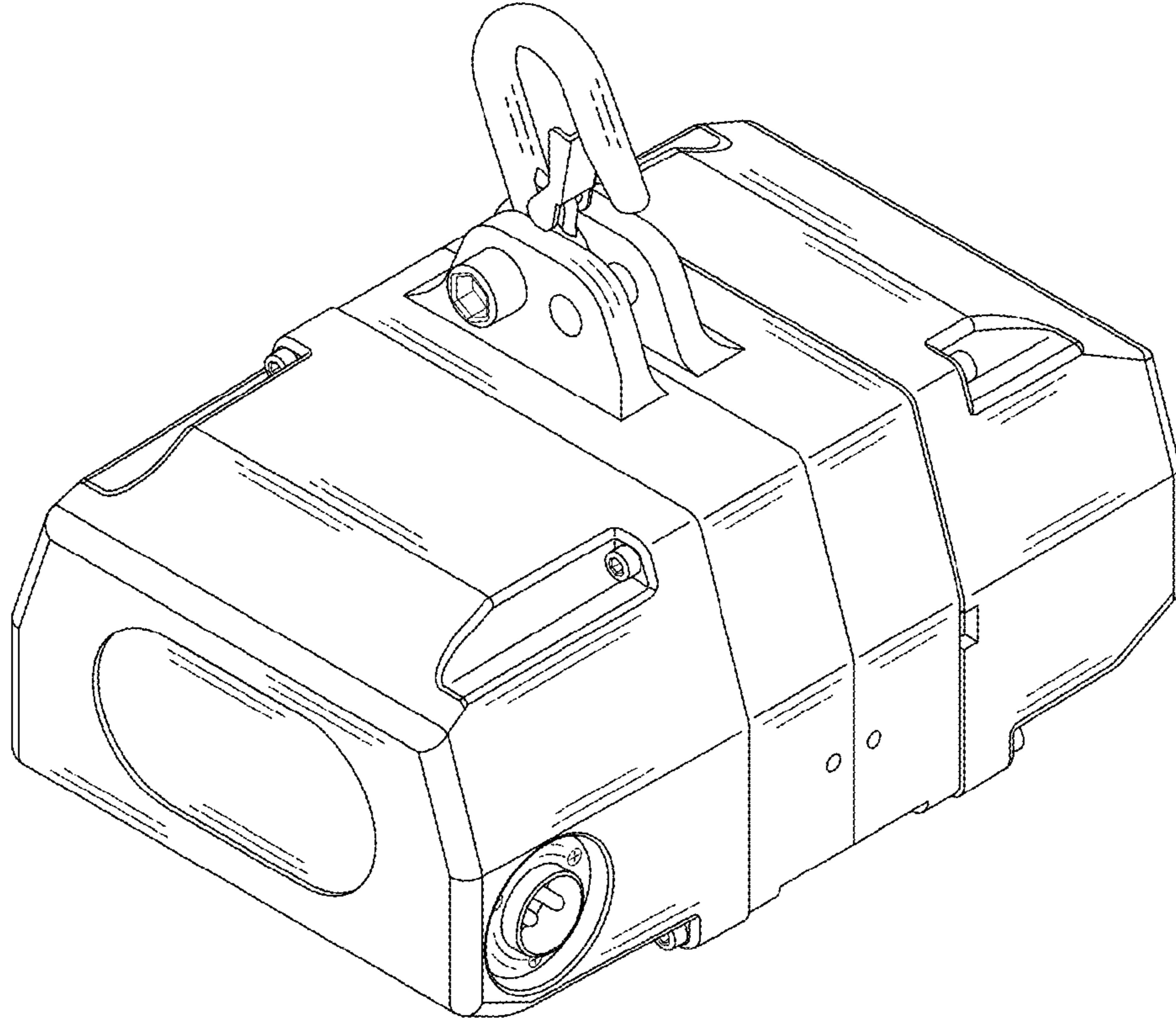


FIG.1

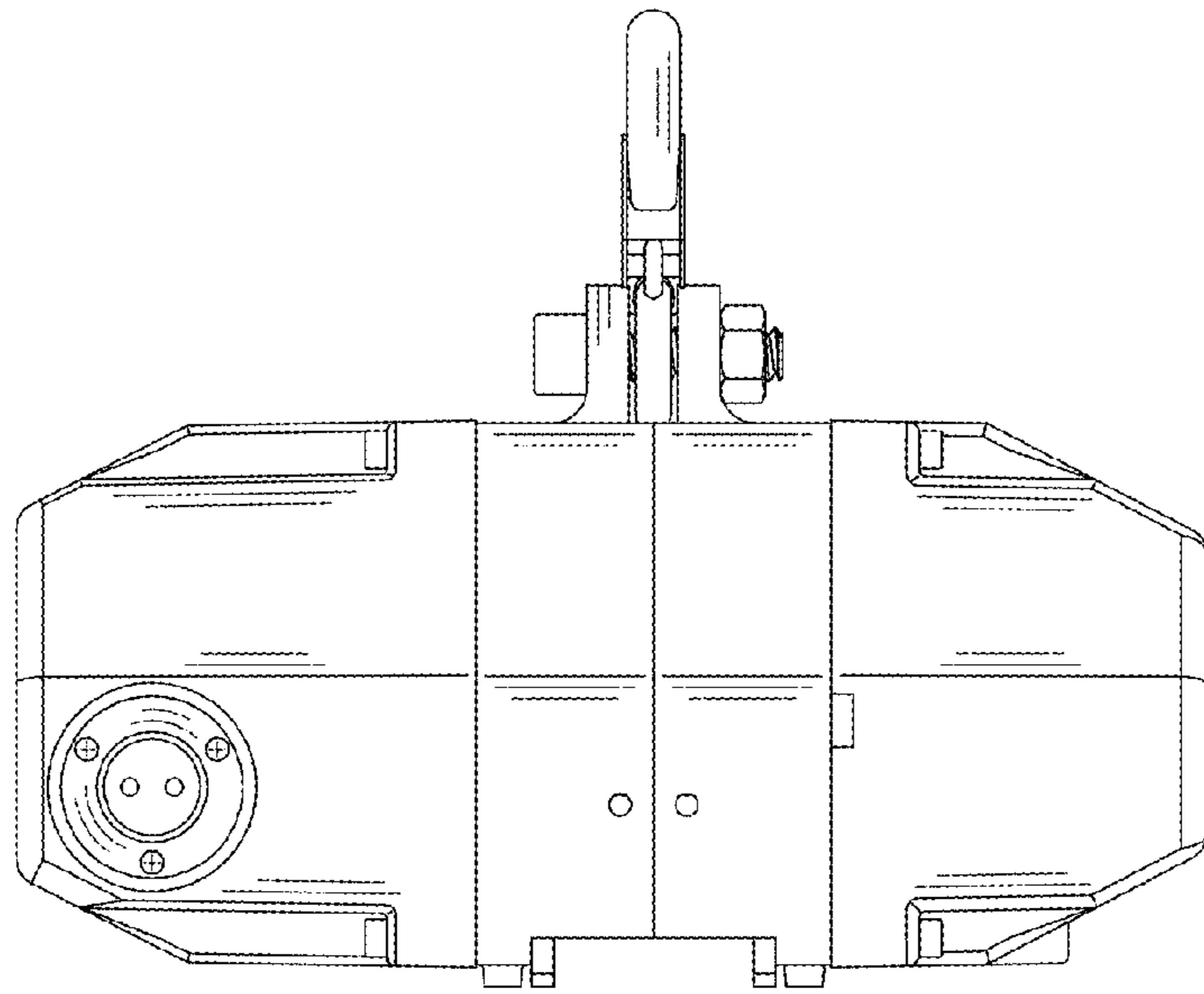


FIG.2

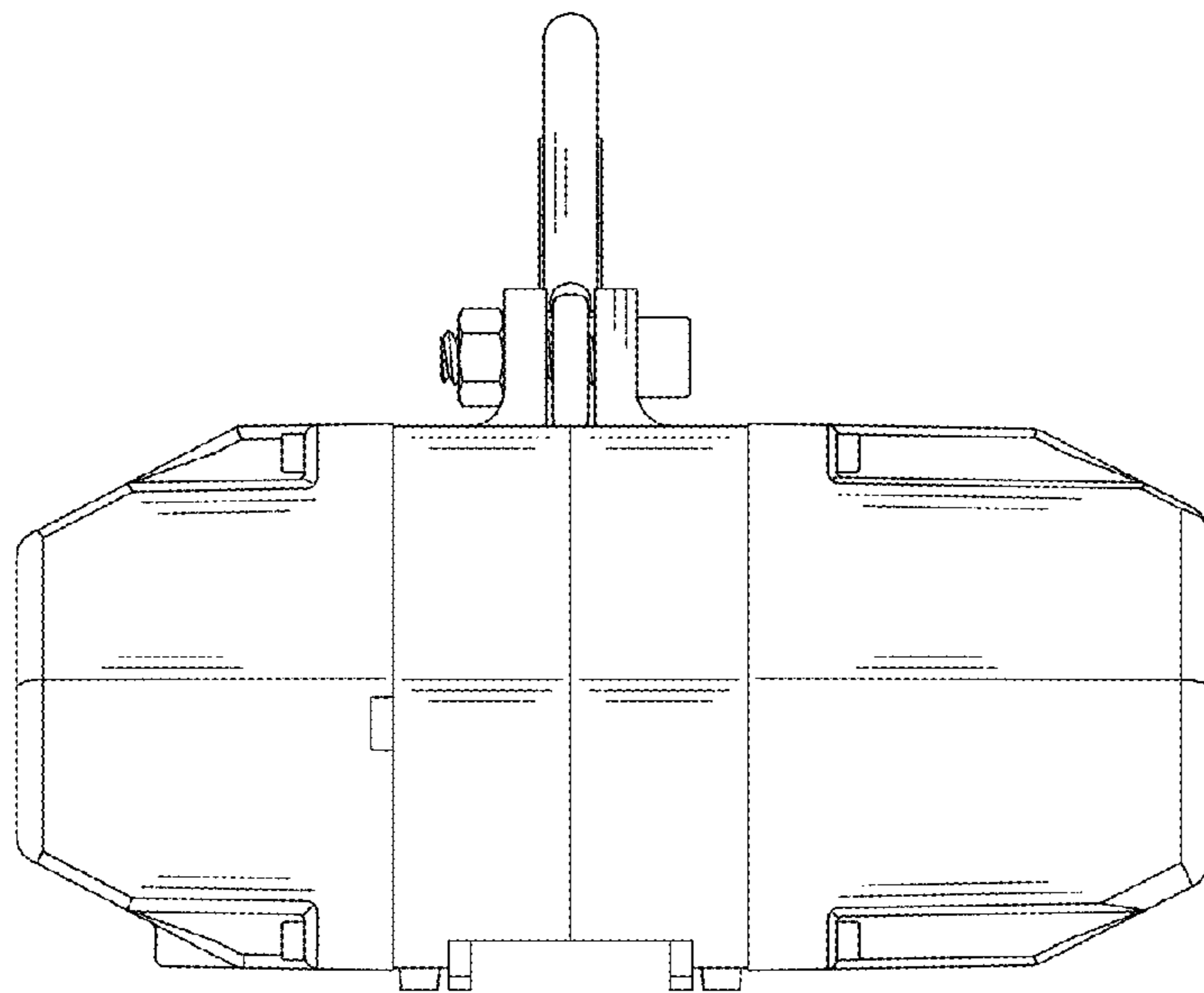


FIG.3

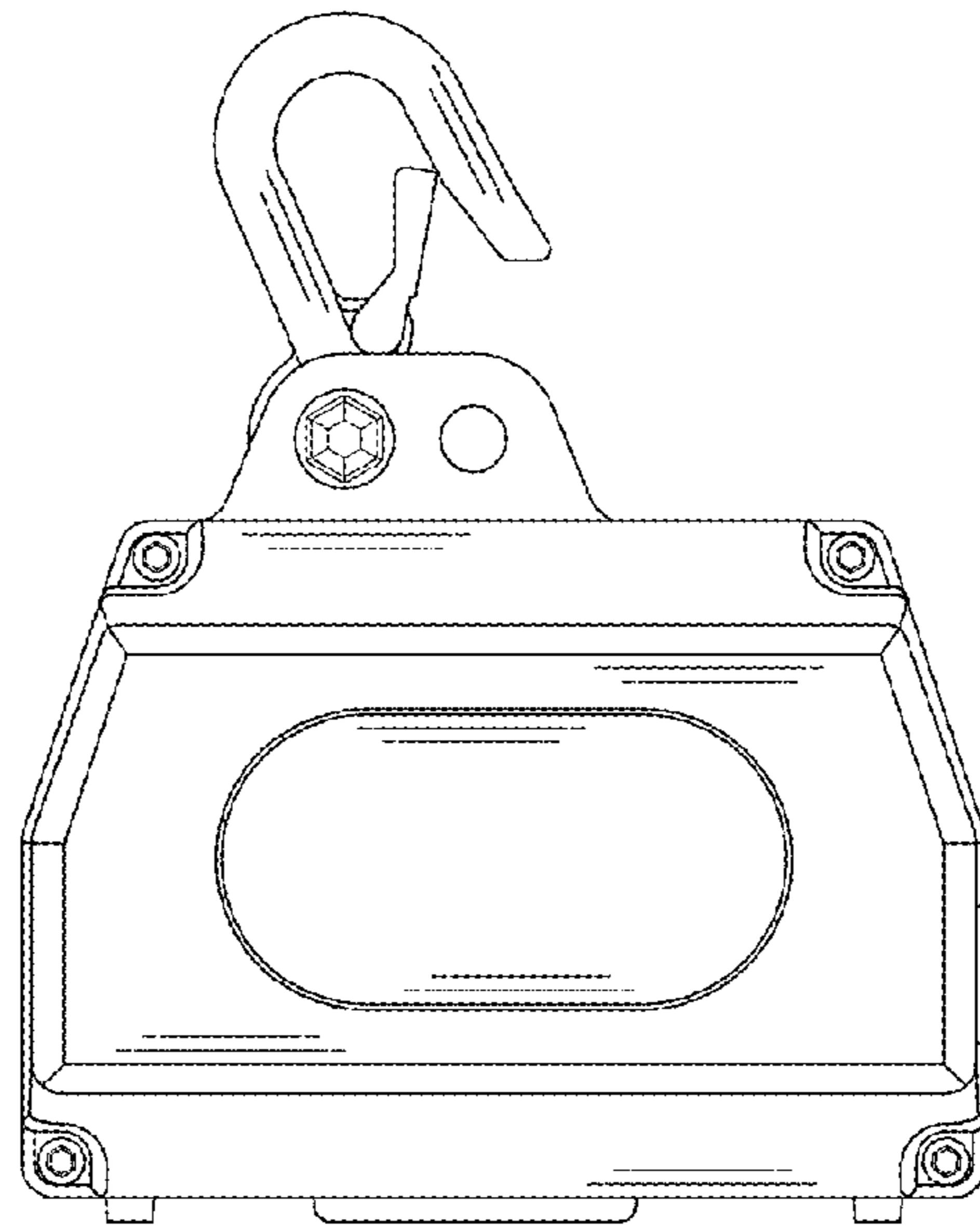


FIG.4

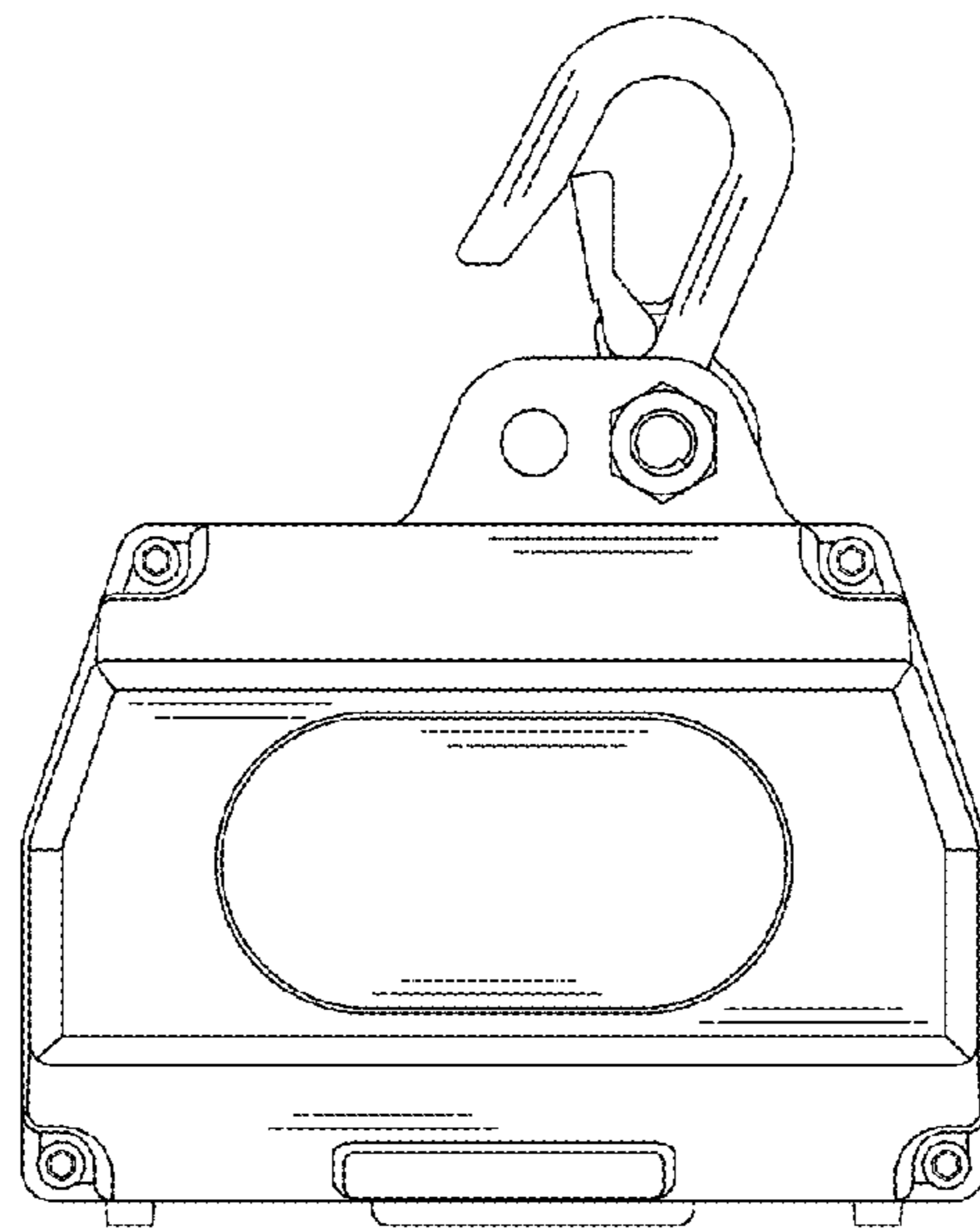


FIG.5

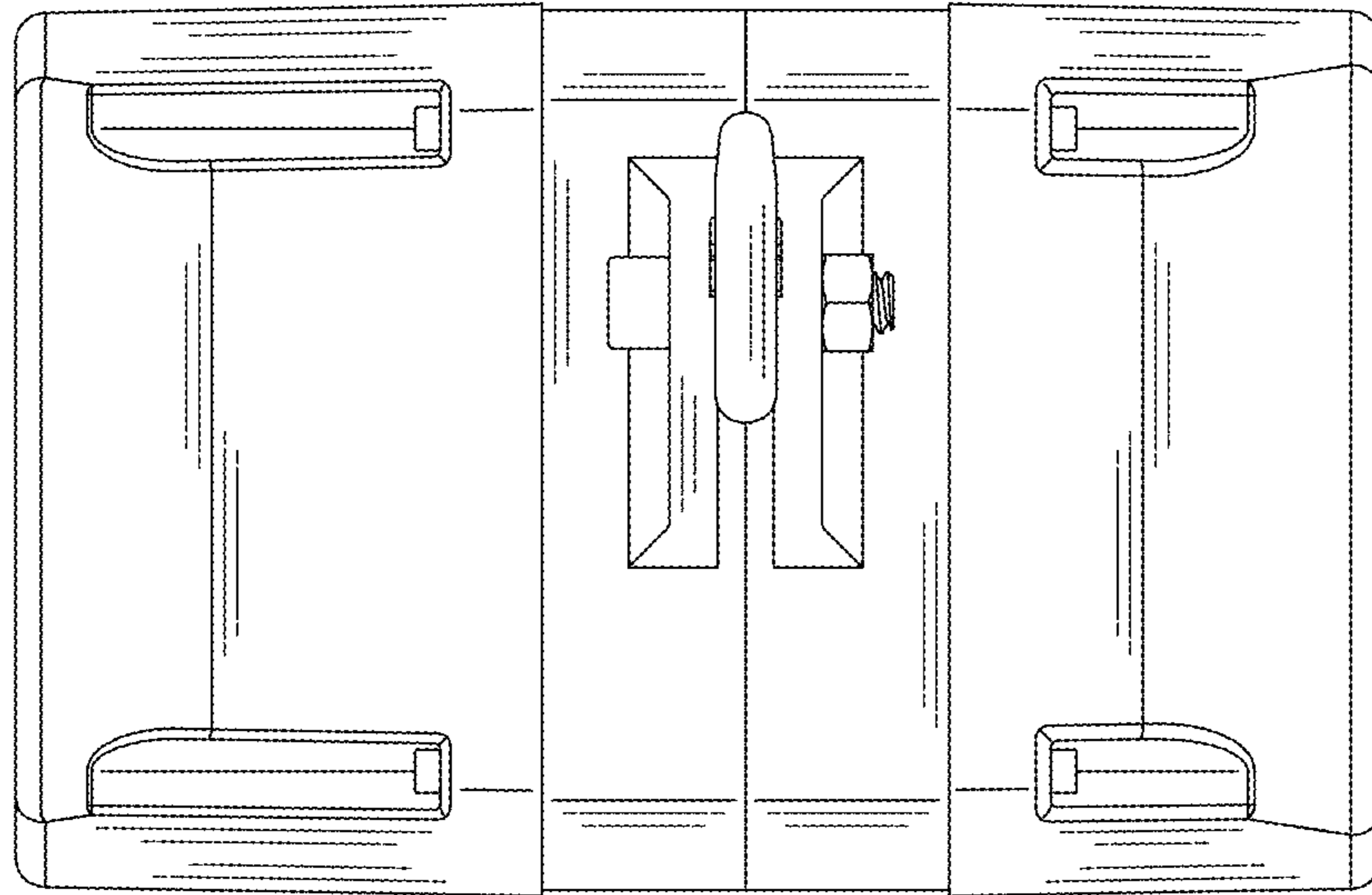


FIG.6

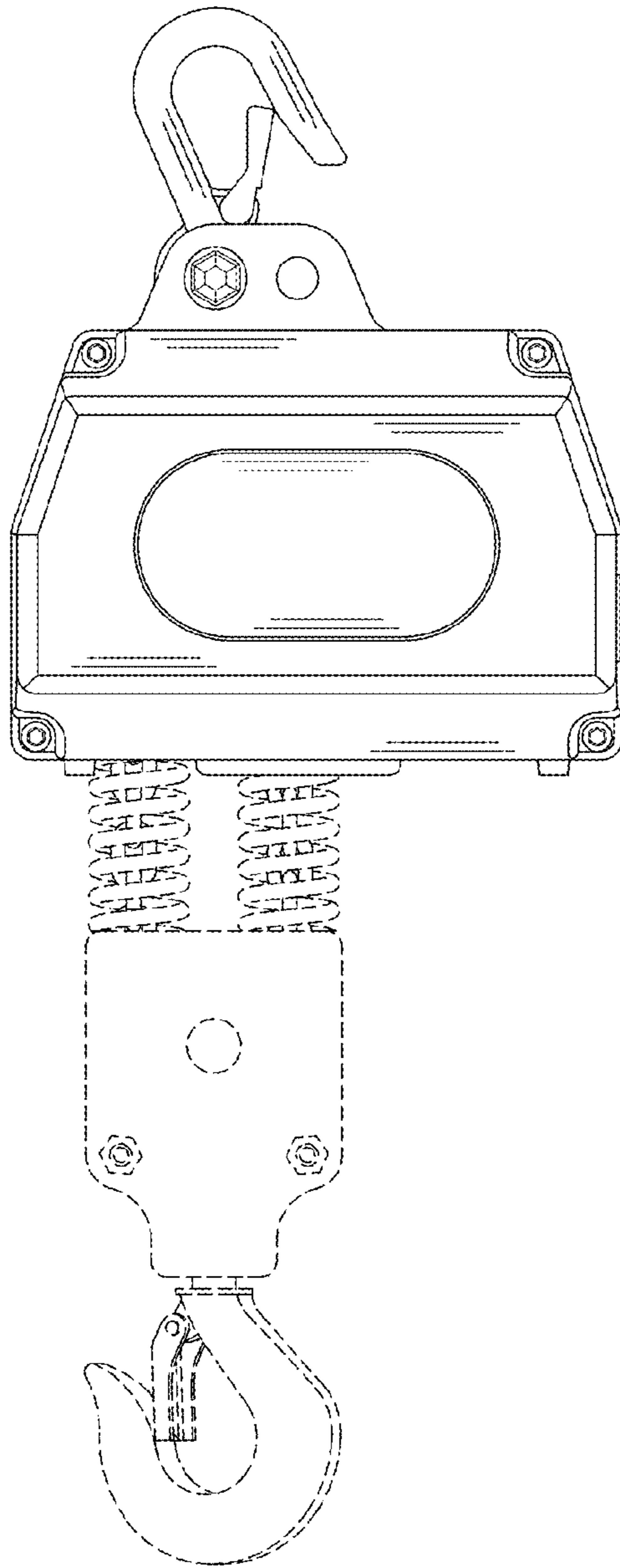


FIG.7

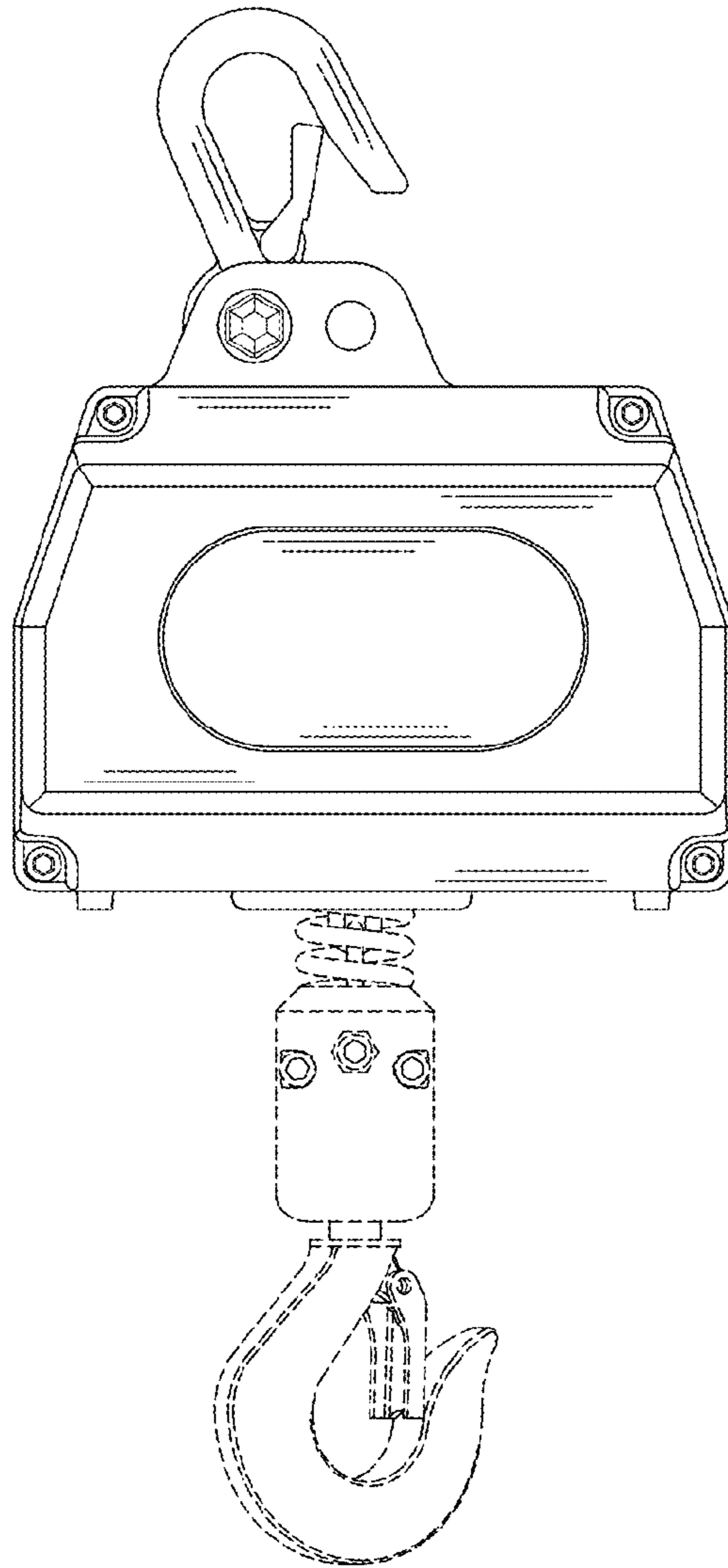


FIG.8