

US00D764137S

(12) **United States Design Patent**  
**Del Rosario**

(10) **Patent No.:** **US D764,137 S**  
(45) **Date of Patent:** **\*\* Aug. 16, 2016**

(54) **COLLAPSIBLE HAND CART**  
(71) Applicant: **Joey Z. Del Rosario**, Pittsburg, CA (US)  
(72) Inventor: **Joey Z. Del Rosario**, Pittsburg, CA (US)  
(73) Assignee: **Joey Del Rosario**, Pittsburg, CA (US)

D632,448 S \* 2/2011 Simko ..... D34/12  
D633,679 S \* 3/2011 DeLuca ..... D34/23  
D678,643 S \* 3/2013 Presley ..... D34/24  
D708,411 S \* 7/2014 Schnautz ..... D34/14  
D715,511 S \* 10/2014 Okwumabua ..... D34/12  
2002/0101065 A1 \* 8/2002 McCollum ..... A63B 71/0036  
280/655  
2012/0049474 A1 \* 3/2012 Del Rosario ..... B62B 1/008  
280/47.34

(\*\*) Term: **14 Years**

\* cited by examiner

(21) Appl. No.: **29/463,561**

*Primary Examiner* — Cynthia Ramirez

(22) Filed: **May 23, 2014**

(51) **LOC (10) Cl.** ..... **12-02**

(57) **CLAIM**

(52) **U.S. Cl.**  
USPC ..... **D34/12**

The ornamental design for a collapsible hand cart, as shown and described.

(58) **Field of Classification Search**  
USPC ..... D34/12-27; 280/47.26, 47.652, 33.991,  
280/38, 40, 43.1, 43.11, 645, 651, 652, 654,  
280/DIG. 3, 639  
CPC ..... B62B 1/14; B62B 1/266; B62B 1/008  
See application file for complete search history.

**DESCRIPTION**

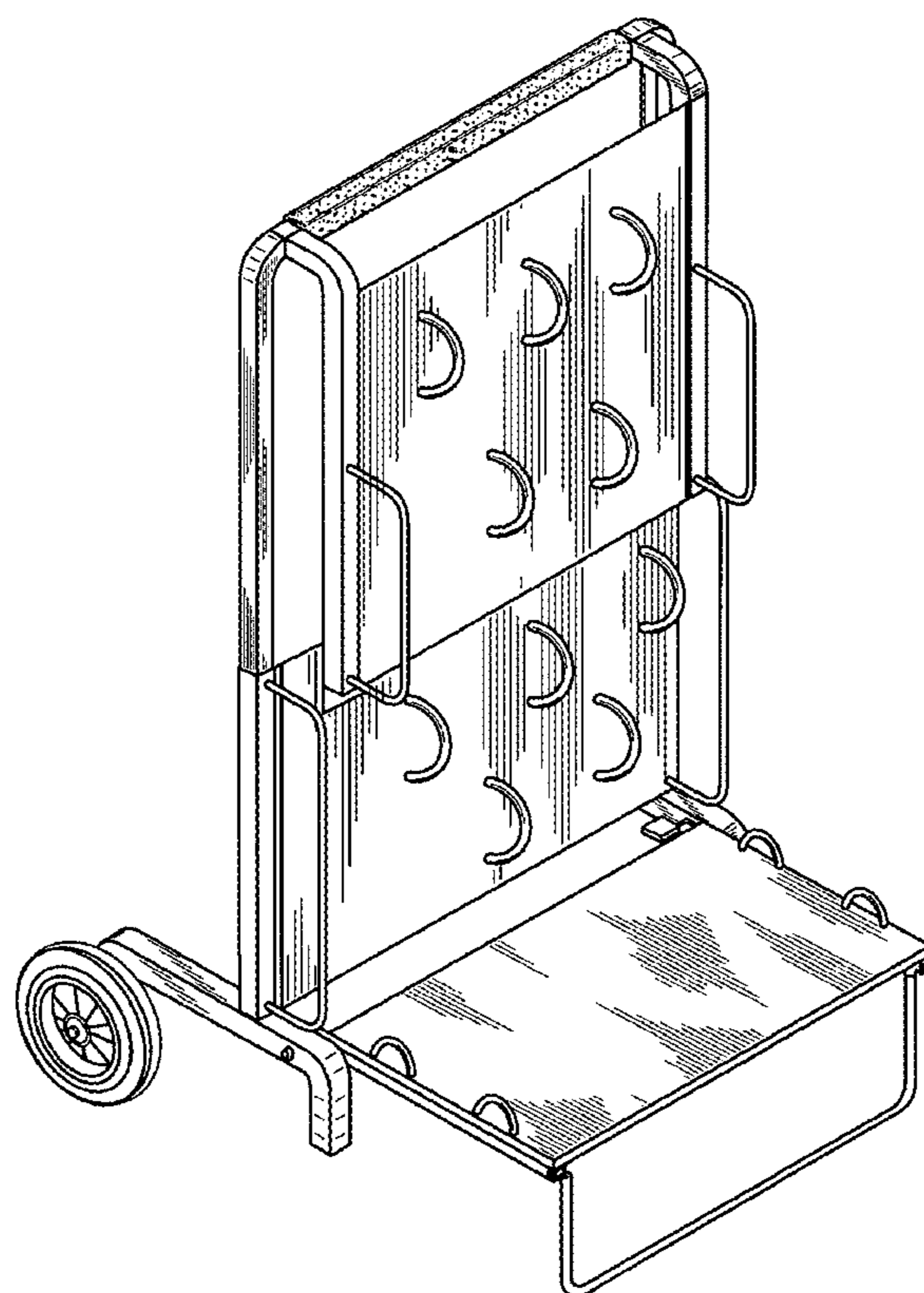
FIG. 1 is a front perspective view of a collapsible hand cart showing my new design;  
FIG. 2 is Front View thereof;  
FIG. 3 is a Rear View thereof;  
FIG. 4 is a right side view, the left side being a mirror image thereof;  
FIG. 5 is a top view thereof; and,  
FIG. 6 is a Bottom View thereof.  
The claimed dolly/cart is used to transport grocery and miscellaneous goods.

(56) **References Cited**

**U.S. PATENT DOCUMENTS**

5,123,666 A \* 6/1992 Moore ..... B62B 1/14  
280/47.18  
D345,842 S \* 4/1994 Sloan ..... D34/24  
6,880,851 B1 \* 4/2005 Summers ..... B62B 1/266  
280/43.1  
D564,724 S \* 3/2008 Dethier ..... D34/24

**1 Claim, 5 Drawing Sheets**



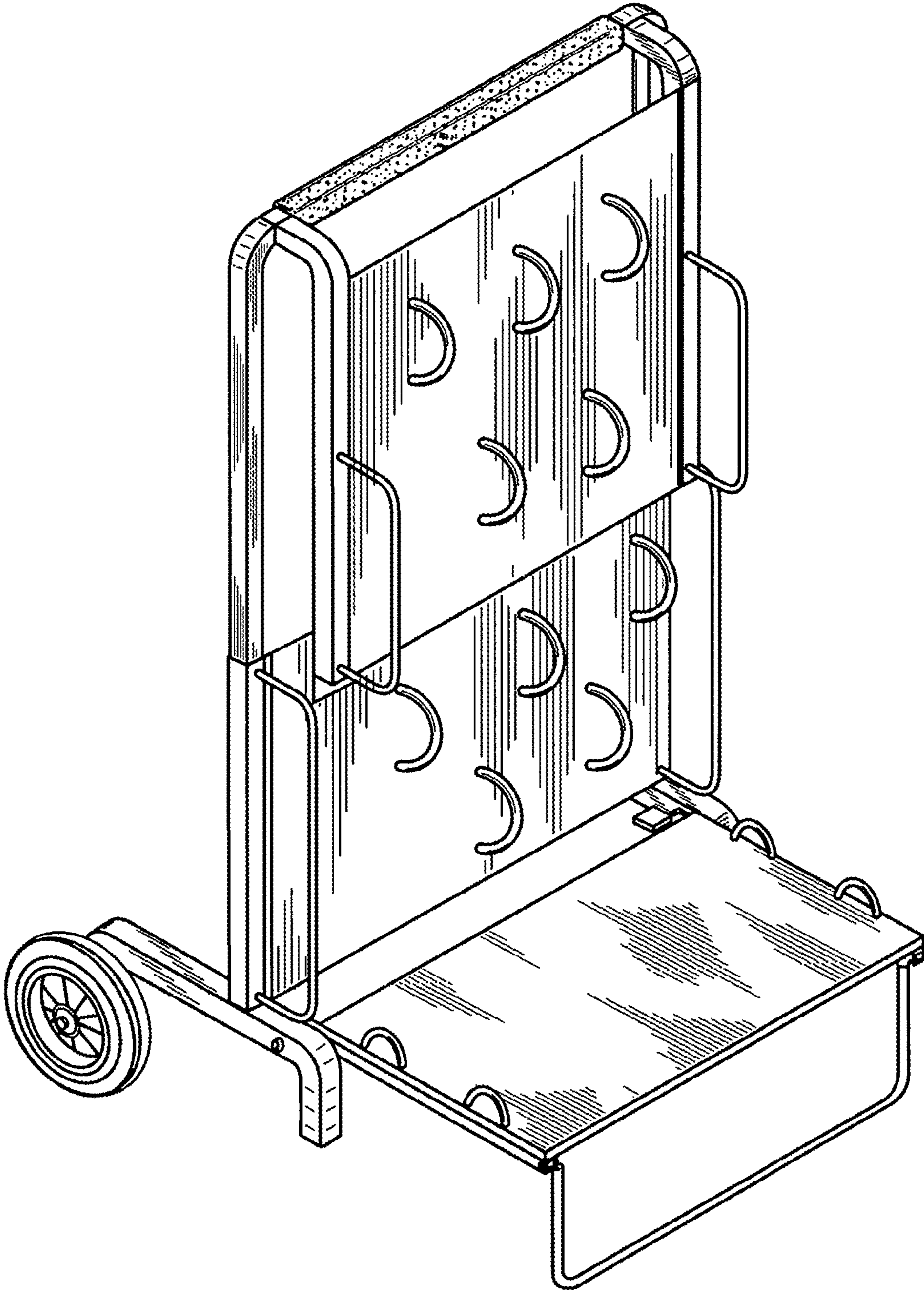


FIG. 1

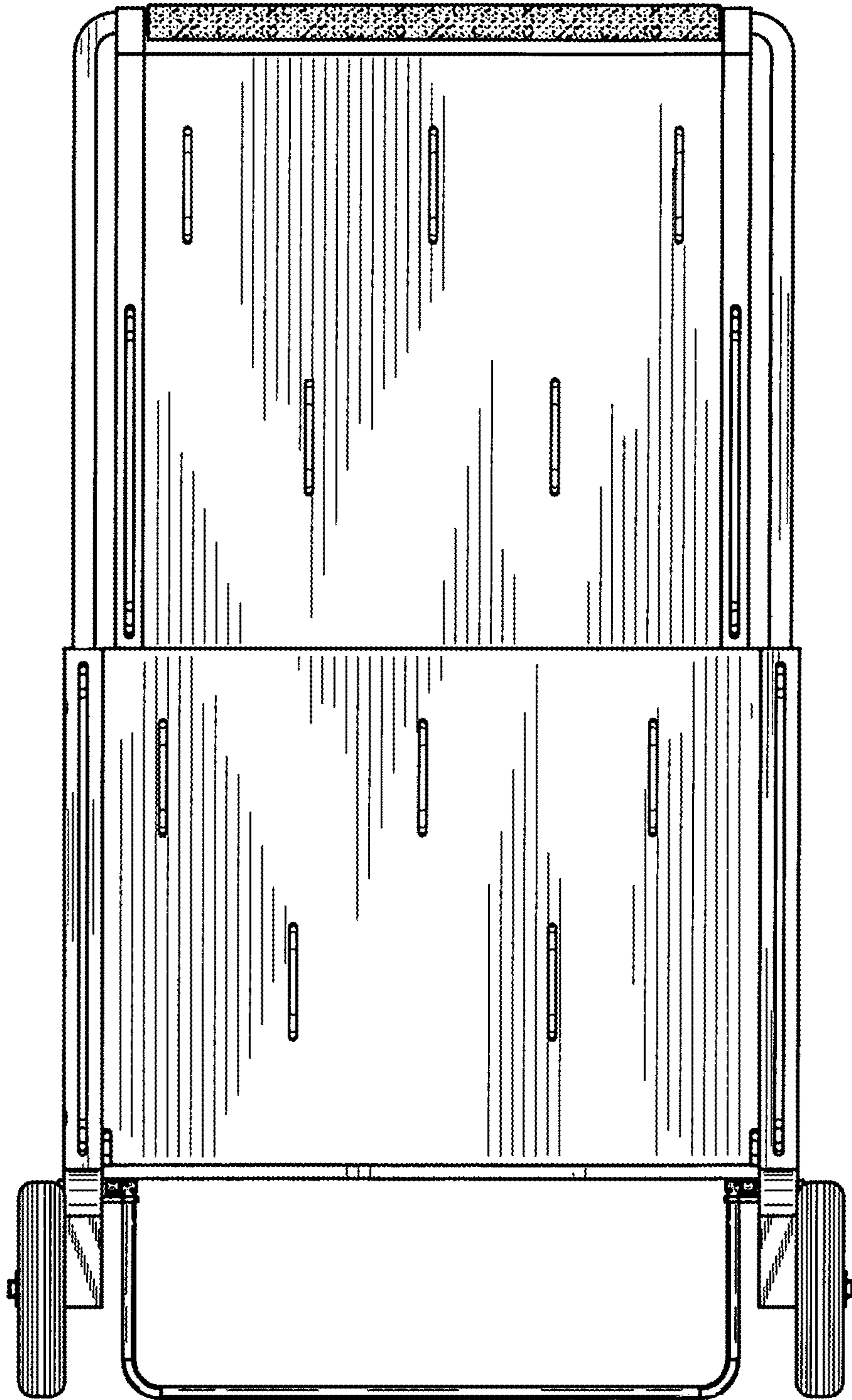


FIG. 2



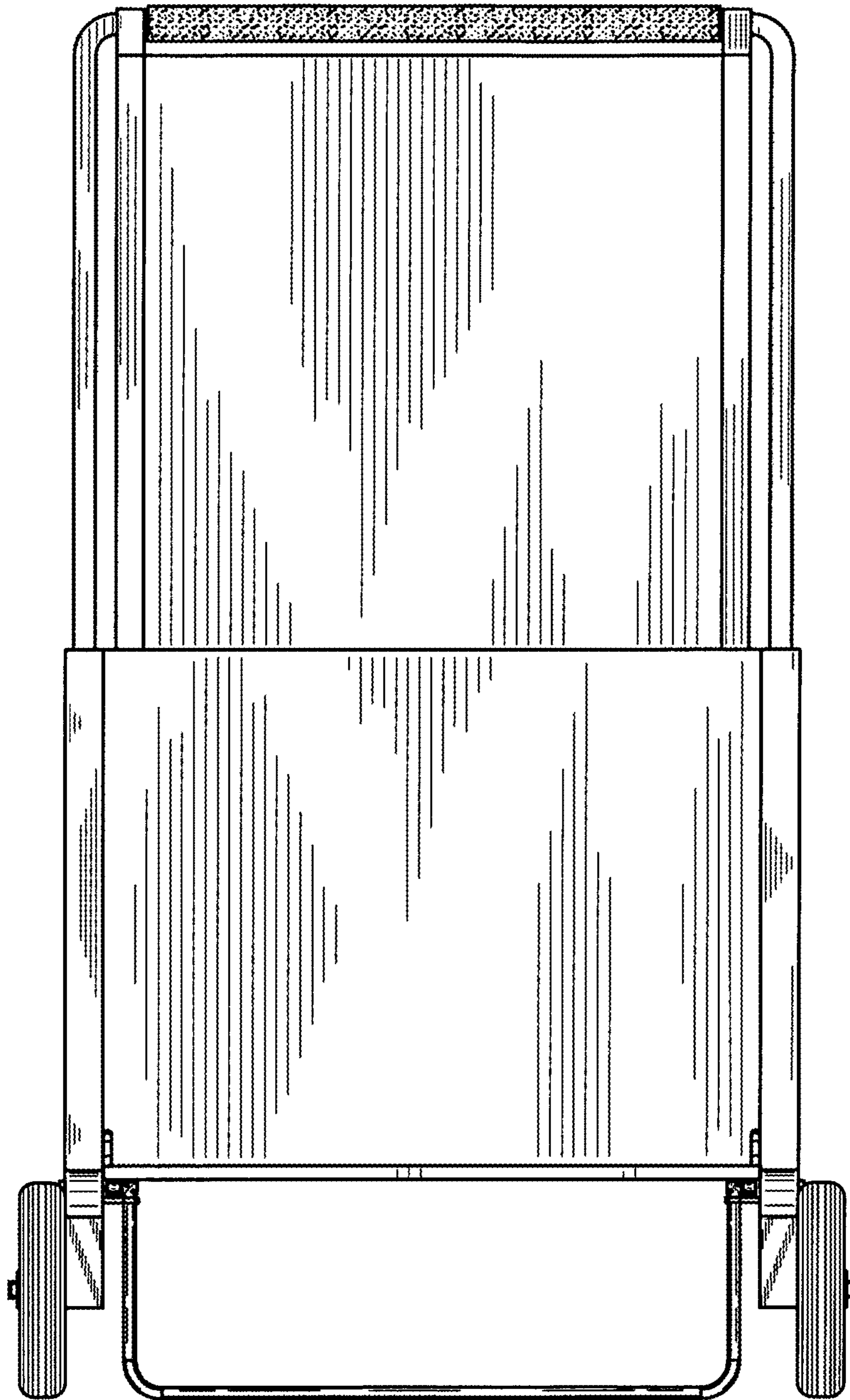


FIG. 3

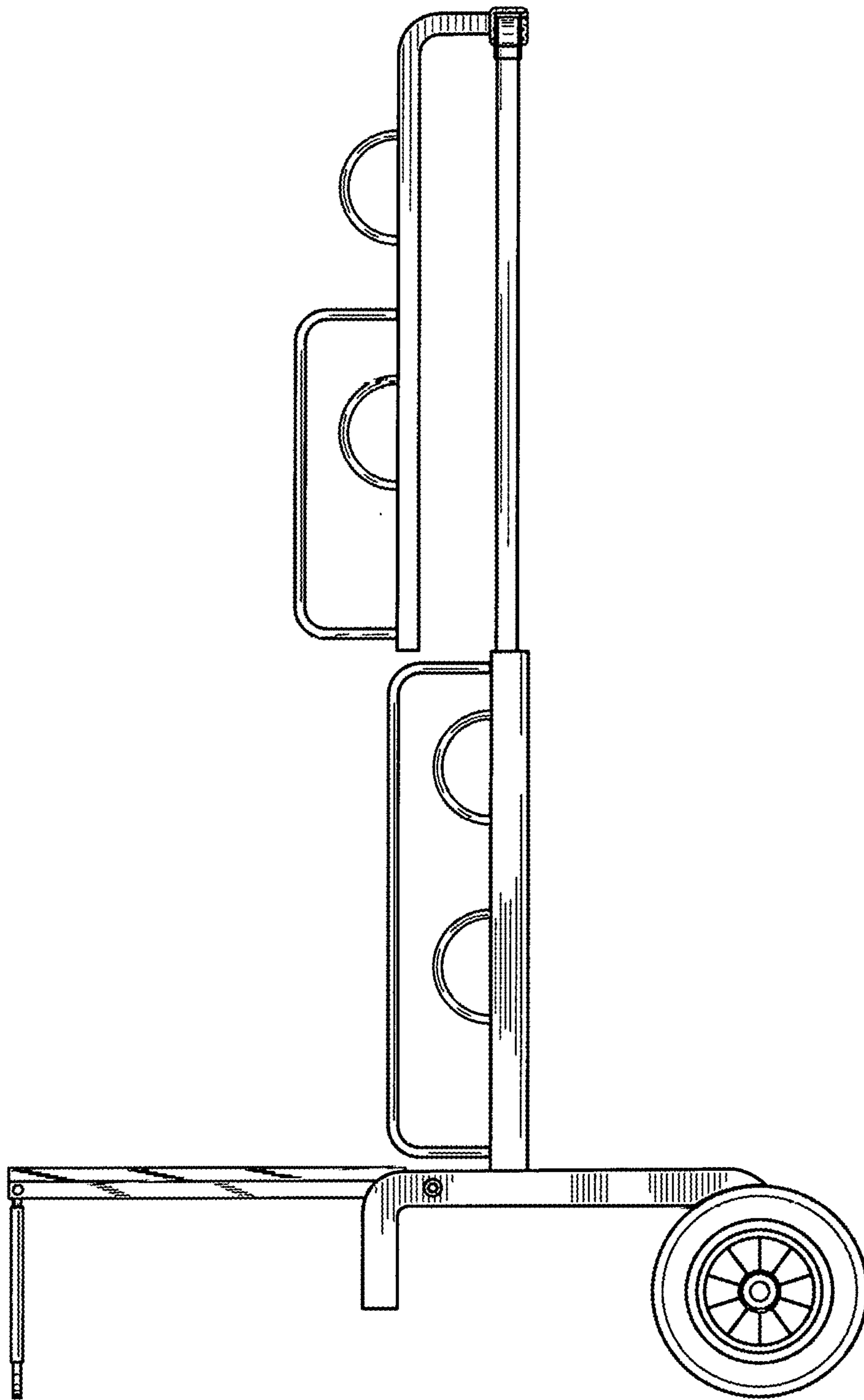


FIG. 4

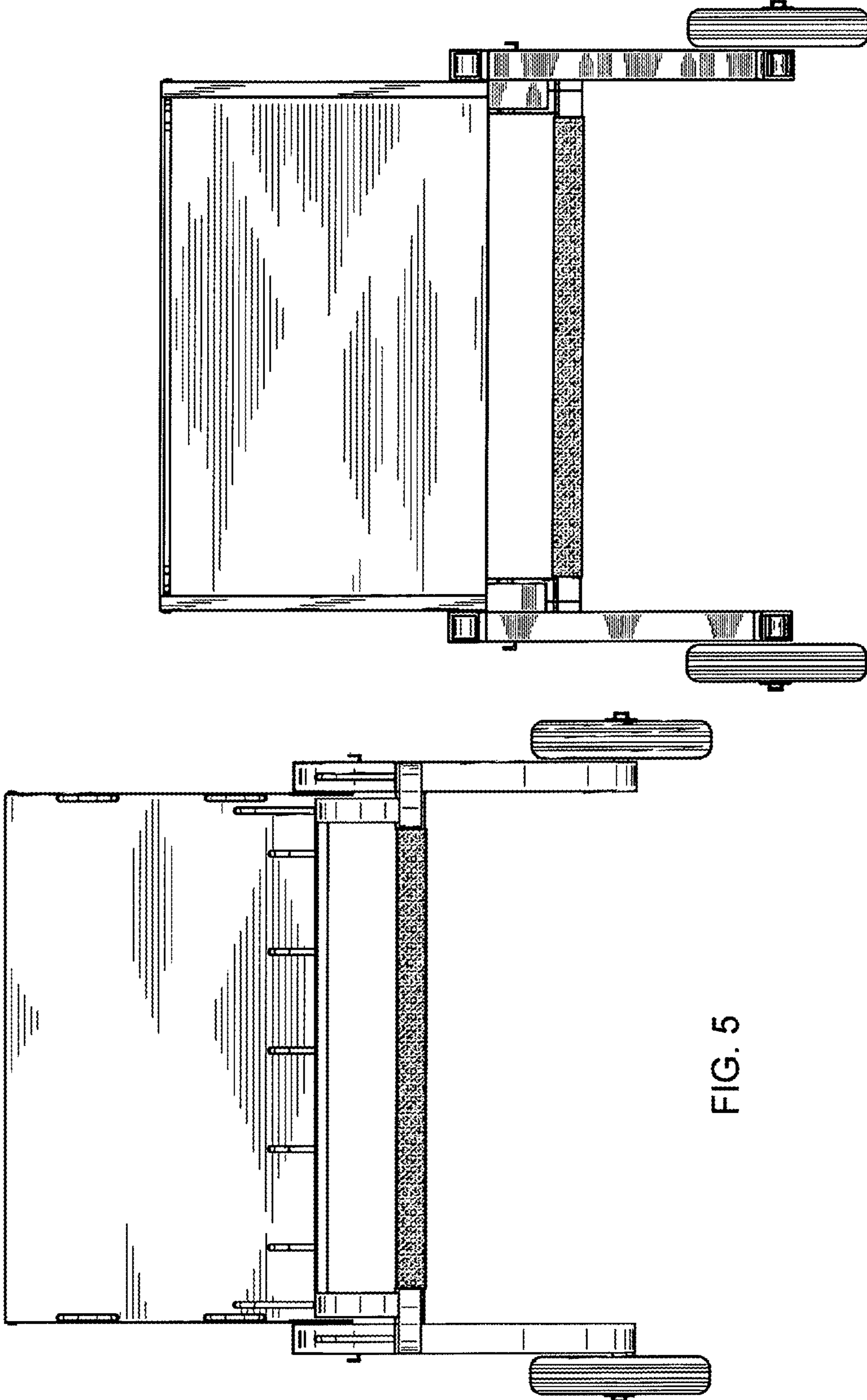


FIG. 5

FIG. 6