



US00D764135S

(12) **United States Design Patent**
Waller et al.

(10) **Patent No.:** **US D764,135 S**
(45) **Date of Patent:** **** Aug. 16, 2016**

(54) **SOCK FORM**

- (71) Applicant: **YOE Enterprises, Inc.**, Chattanooga, TN (US)
- (72) Inventors: **Jordan Kenneth Waller**, Hoover, AL (US); **David Lucas Eldridge**, Mountain Brook, AL (US)
- (73) Assignee: **YOE Enterprises, Inc.**, Chattanooga, TN (US)
- (**) Term: **15 Years**
- (21) Appl. No.: **29/532,083**
- (22) Filed: **Jul. 1, 2015**
- (51) **LOC (10) Cl.** **07-05**
- (52) **U.S. Cl.**
USPC **D32/59**; D32/58
- (58) **Field of Classification Search**
USPC D32/55, 276, 3; D6/510, 525; D30/133; 211/41.5, 41.4, 41.3, 41.8; 361/679.4; 312/311, 333, 334.4; D7/354, 629
CPC A47J 47/20; A47J 2201/00; A47J 47/00; B65D 35/02; B65D 35/22; B65D 35/56; A47F 8/02; A61L 2/07; A61L 2/16
See application file for complete search history.

(56) **References Cited**

U.S. PATENT DOCUMENTS

- D15,137 S * 7/1884 Appleton D32/59
- D55,733 S * 7/1920 Stetten D32/59

(Continued)

FOREIGN PATENT DOCUMENTS

- DE 29500171 2/1995
- FR 1503537 5/1966

(Continued)

OTHER PUBLICATIONS

Acrylic Women Silk Sock Displays, found at <http://www.china-acrylic-factory.com/cp/html/?463.html>, taken on Jun. 24, 2015.

Primary Examiner — Austin Murphy
(74) *Attorney, Agent, or Firm* — Risson & Associates

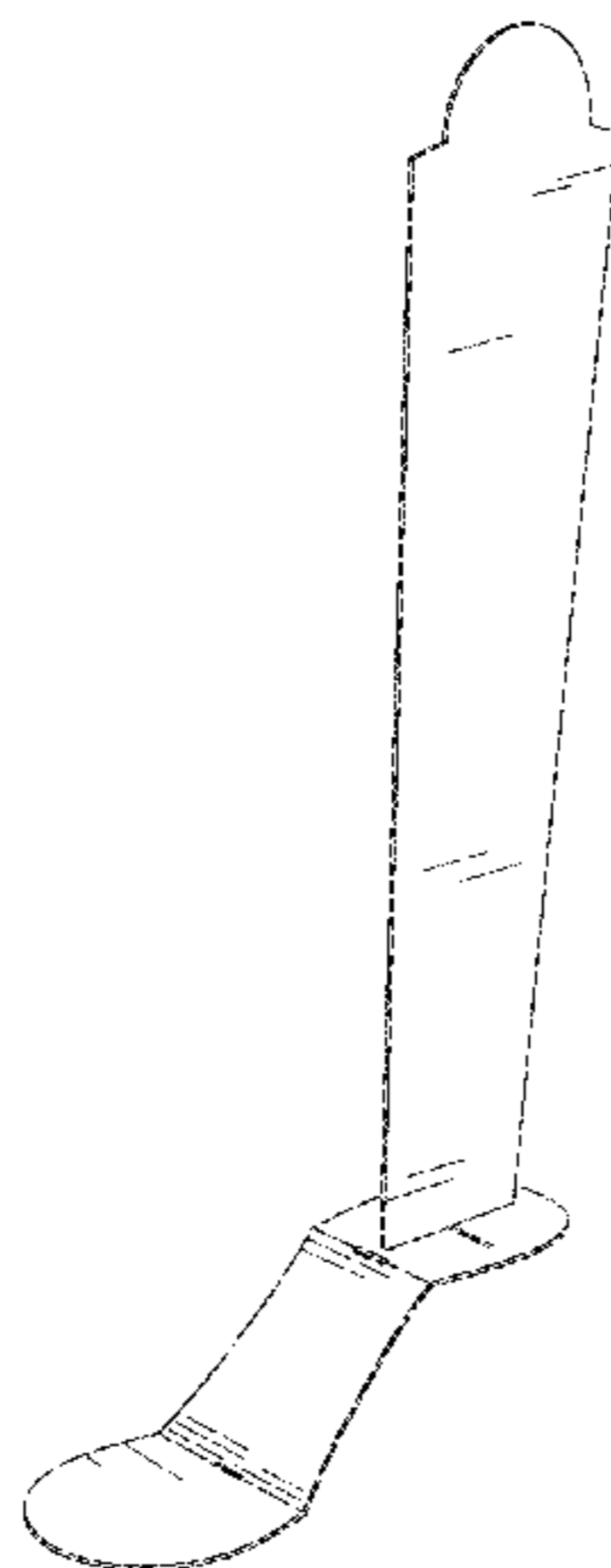
(57) **CLAIM**

The ornamental design for a sock form, as shown and described.

DESCRIPTION

FIG. 1 is a left, front-perspective view of a sock form in a first assembled configuration;
 FIG. 2 is a left front-perspective view of the sock form, depicting the sock form as unassembled;
 FIG. 3 is a top-view of the sock form in the first assembled configuration;
 FIG. 4 is a bottom-view of the sock form in the first assembled configuration;
 FIG. 5 is a front-view of the sock form in the first assembled configuration;
 FIG. 6 is a rear-view of the sock form in the first assembled configuration;
 FIG. 7 is a right, side-view of the sock form in the first assembled configuration;
 FIG. 8 is a left, side-view of the sock form in the first assembled configuration;
 FIG. 9 is a left, front-perspective view of the sock form in a second assembled configuration;
 FIG. 10 is a left, front-perspective view of the sock form, depicting the sock form as unassembled;
 FIG. 11 is a top-view of the sock form in the second assembled configuration;
 FIG. 12 is a bottom-view of the sock form in the second assembled configuration;
 FIG. 13 is a front-view of the sock form the second assembled configuration;
 FIG. 14 is a rear-view of the sock form in the second assembled configuration;
 FIG. 15 is a right, side-view of the sock form in the second assembled configuration; and,
 FIG. 16 is a left, side-view of the sock form in the second assembled configuration.

1 Claim, 16 Drawing Sheets



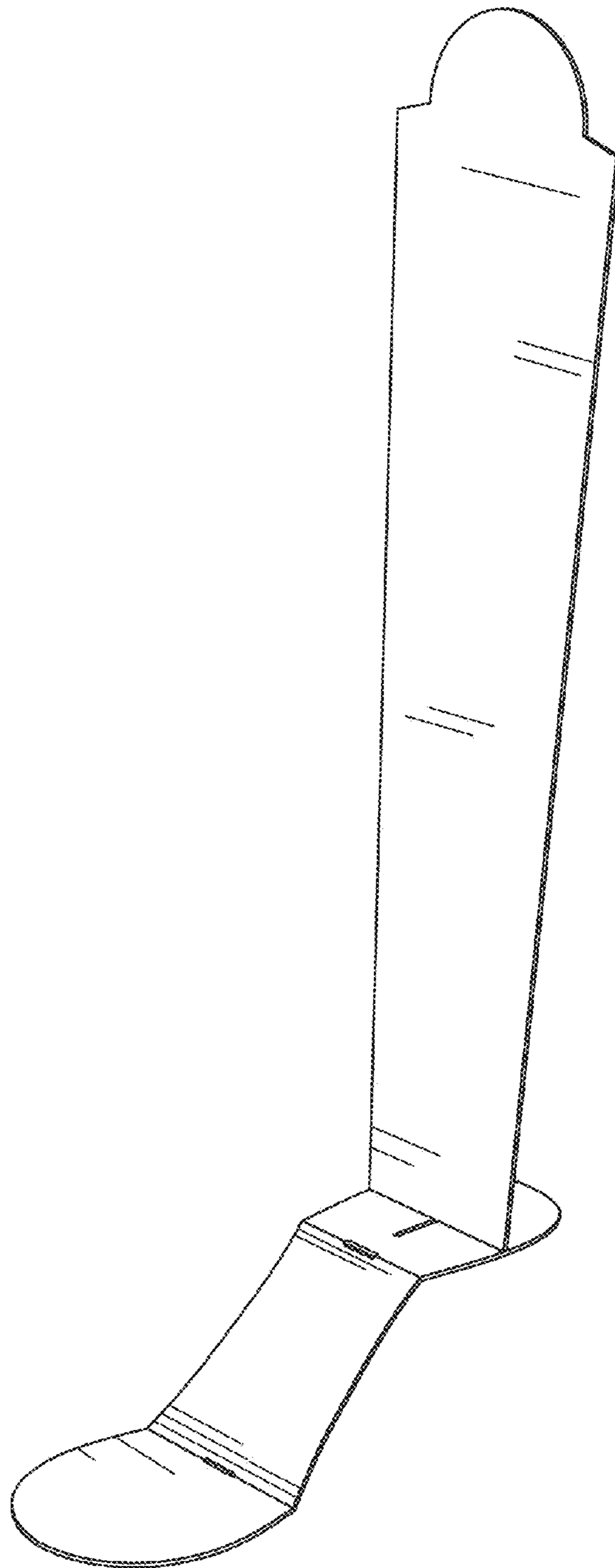


Figure 1

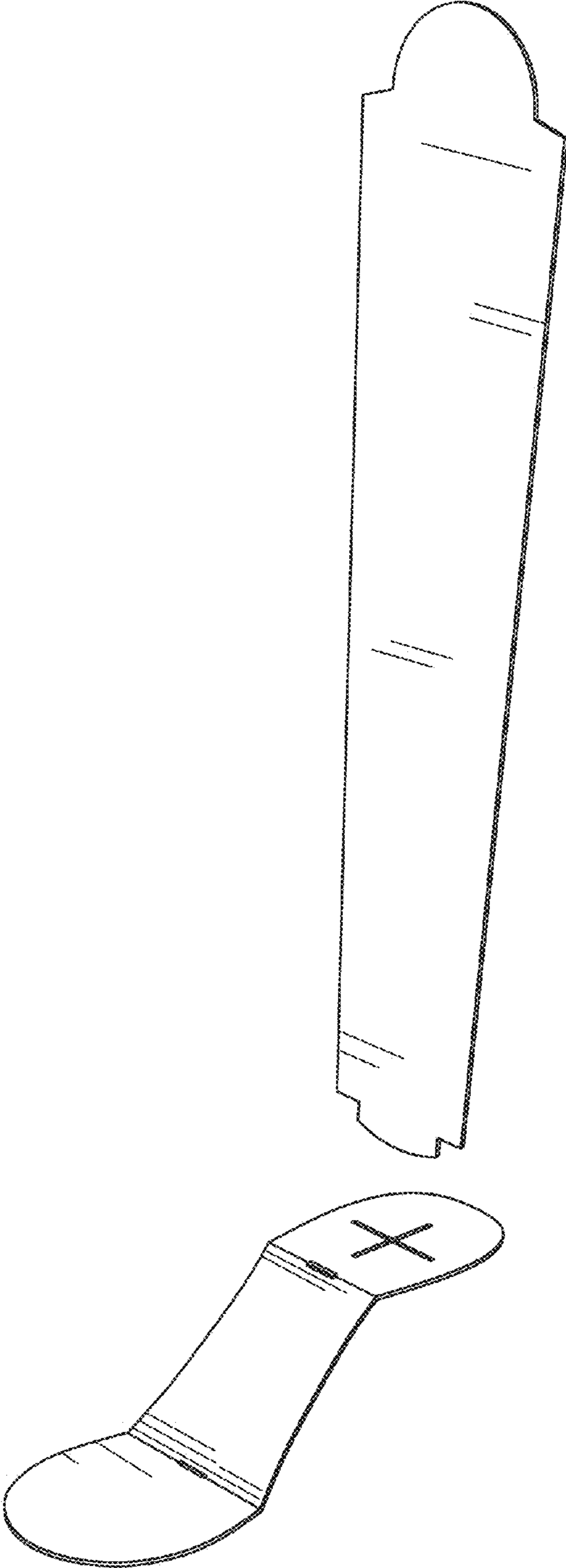


Figure 2

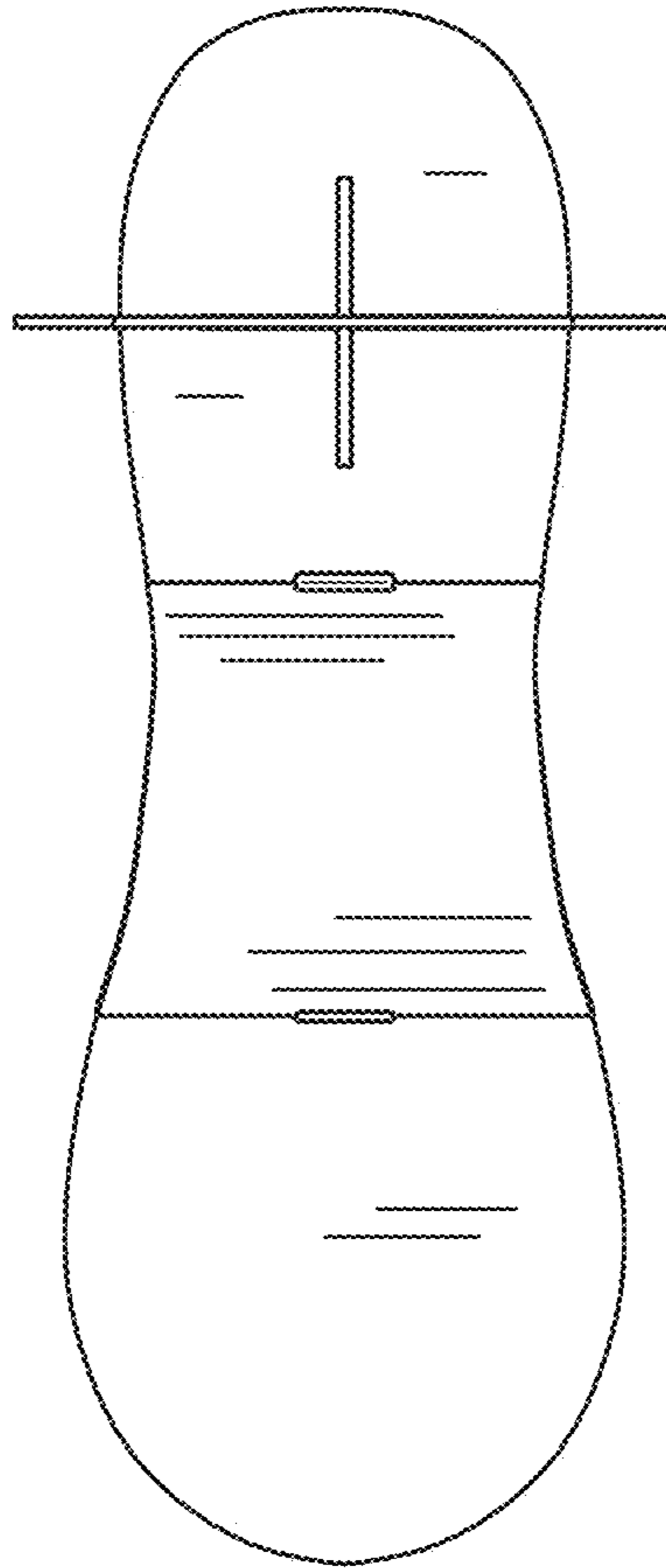


Figure 3

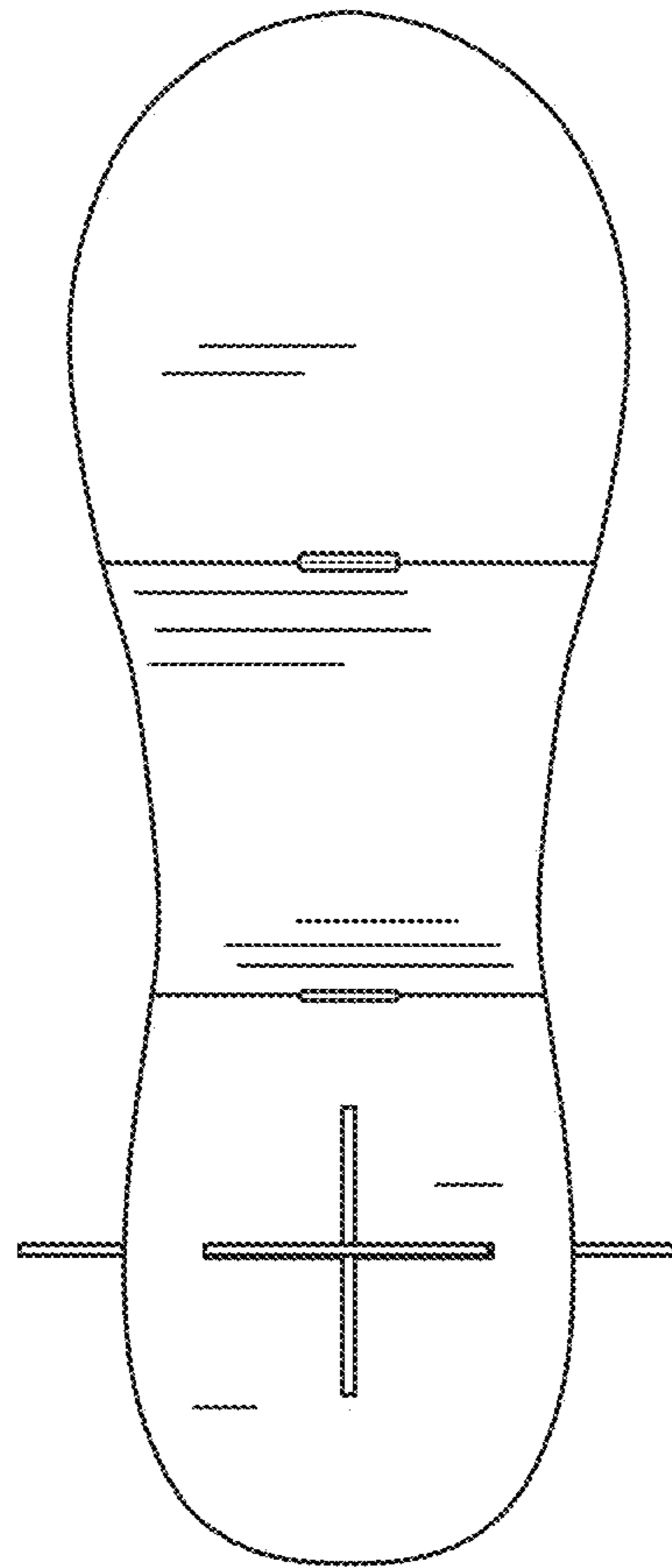


Figure 4

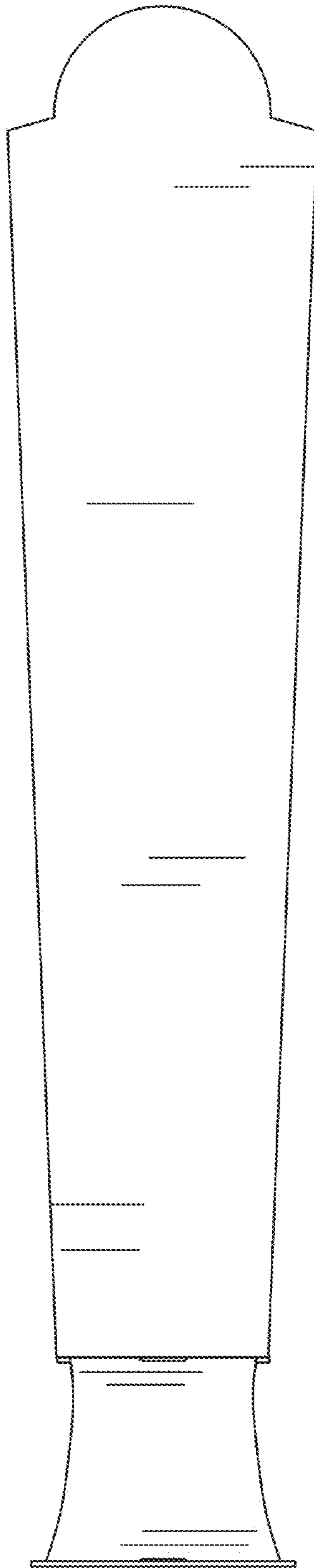


Figure 5

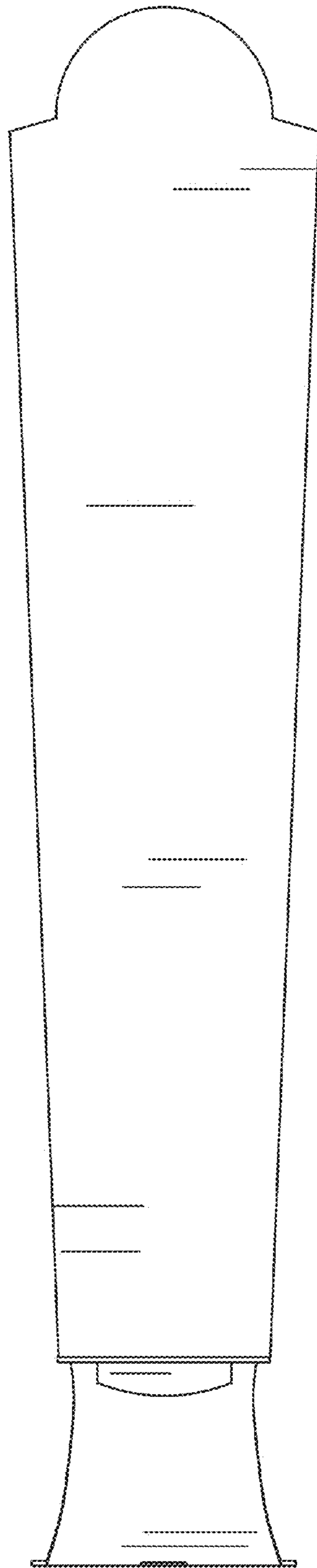


Figure 6

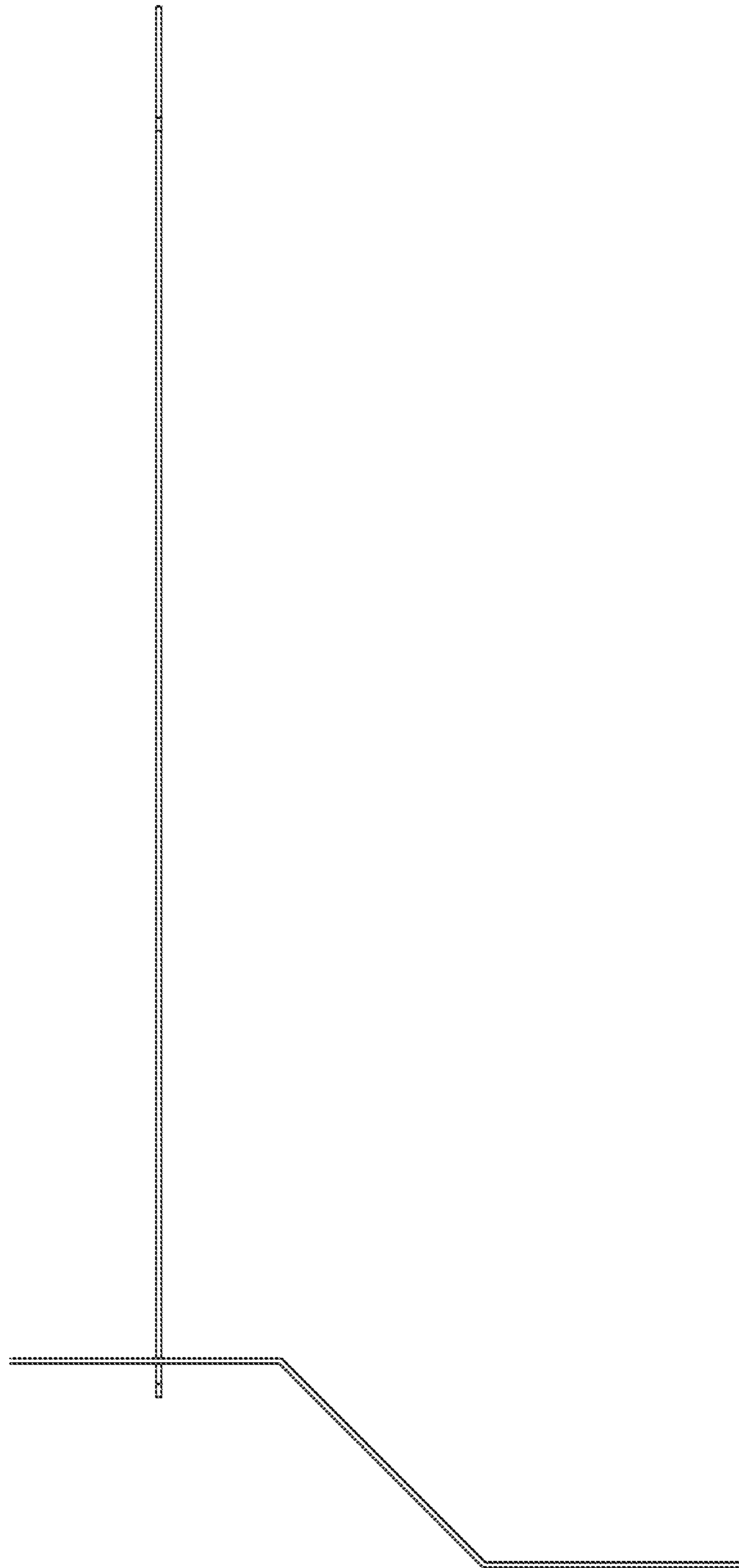


Figure 7

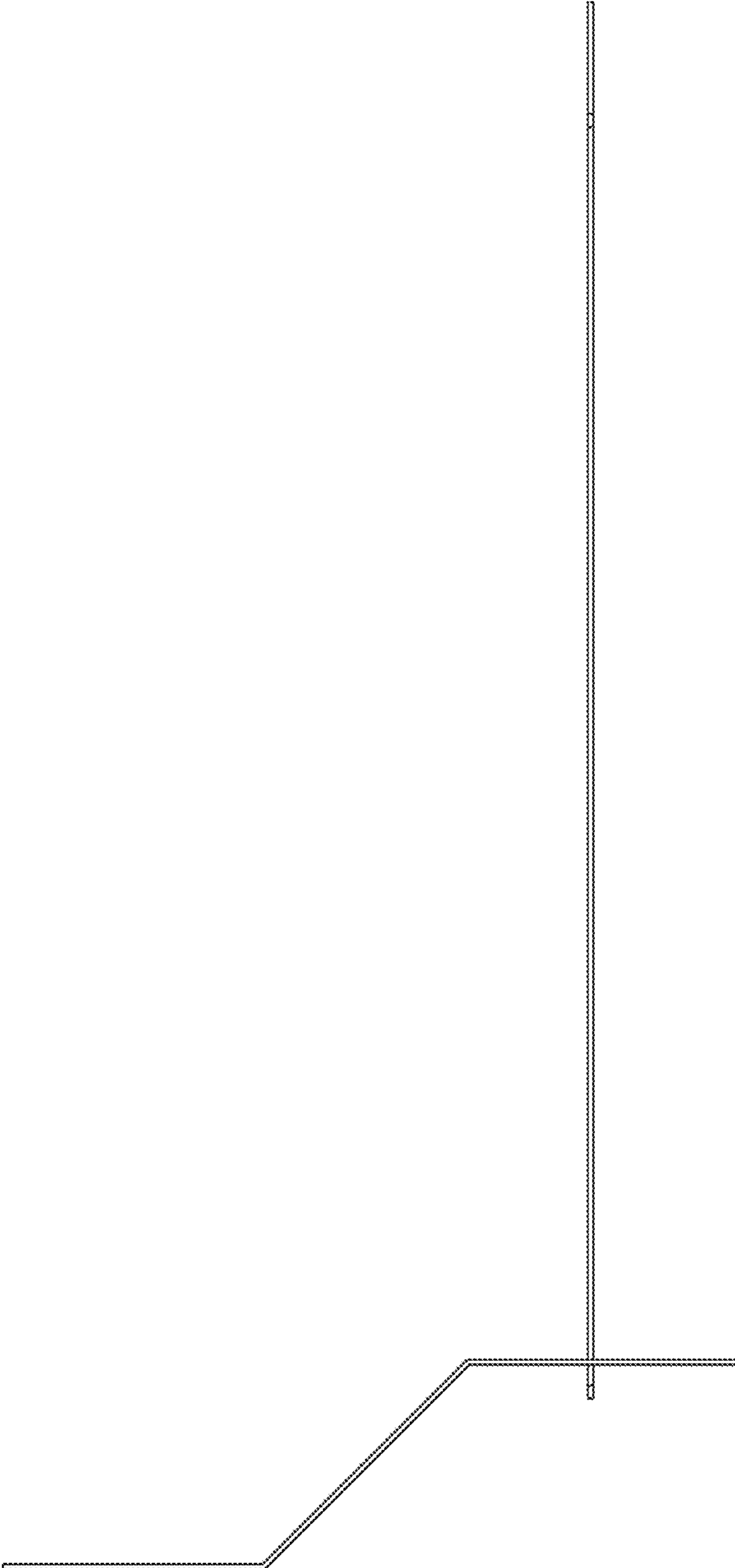


Figure 8

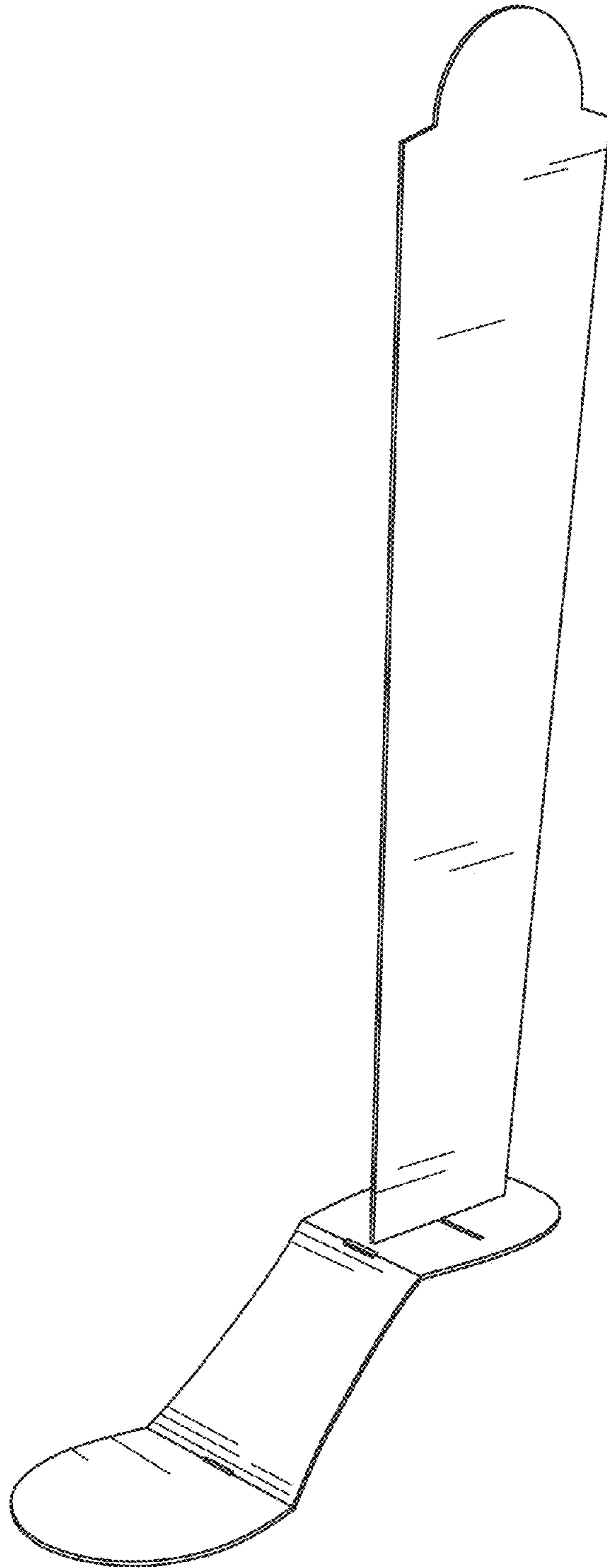


Figure 9

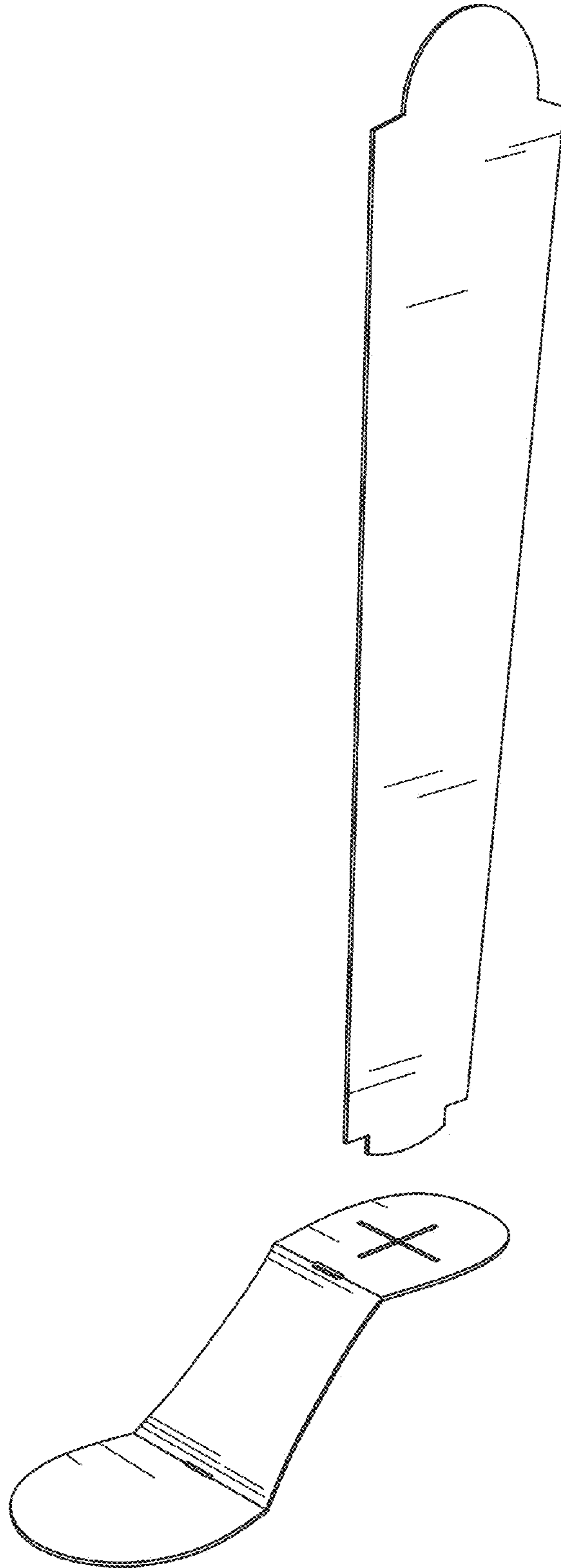


Figure 10

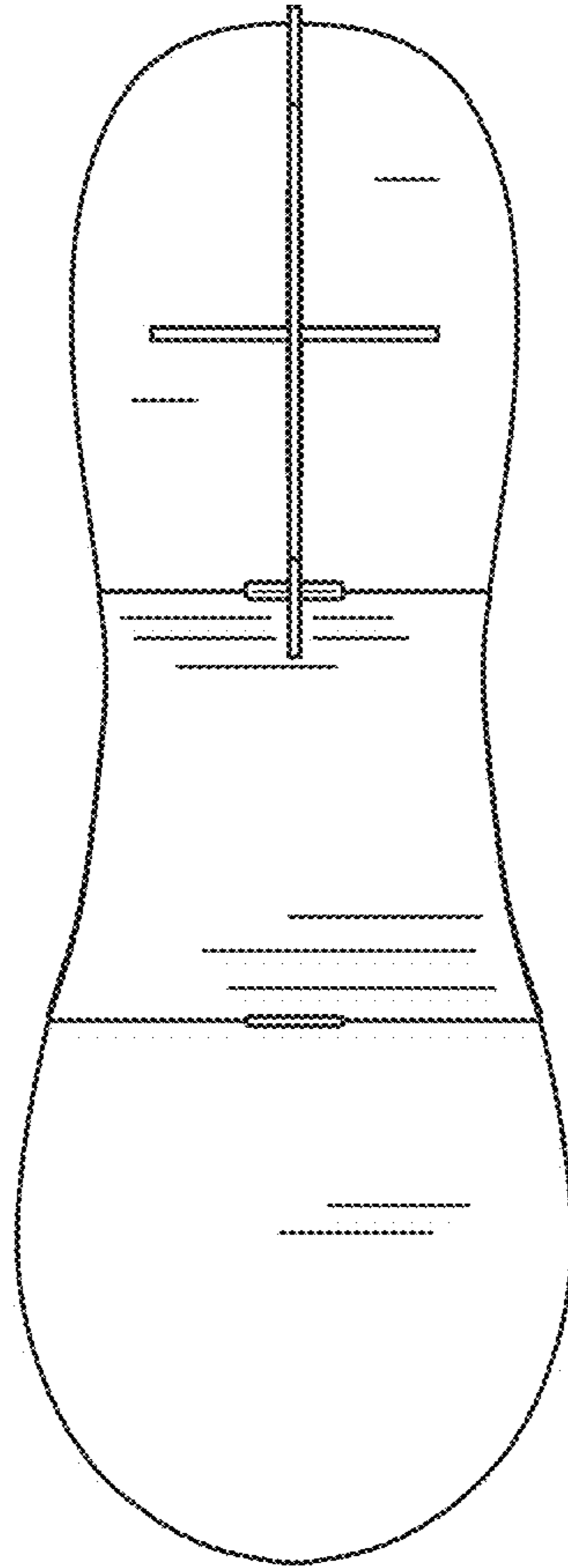


Figure 11

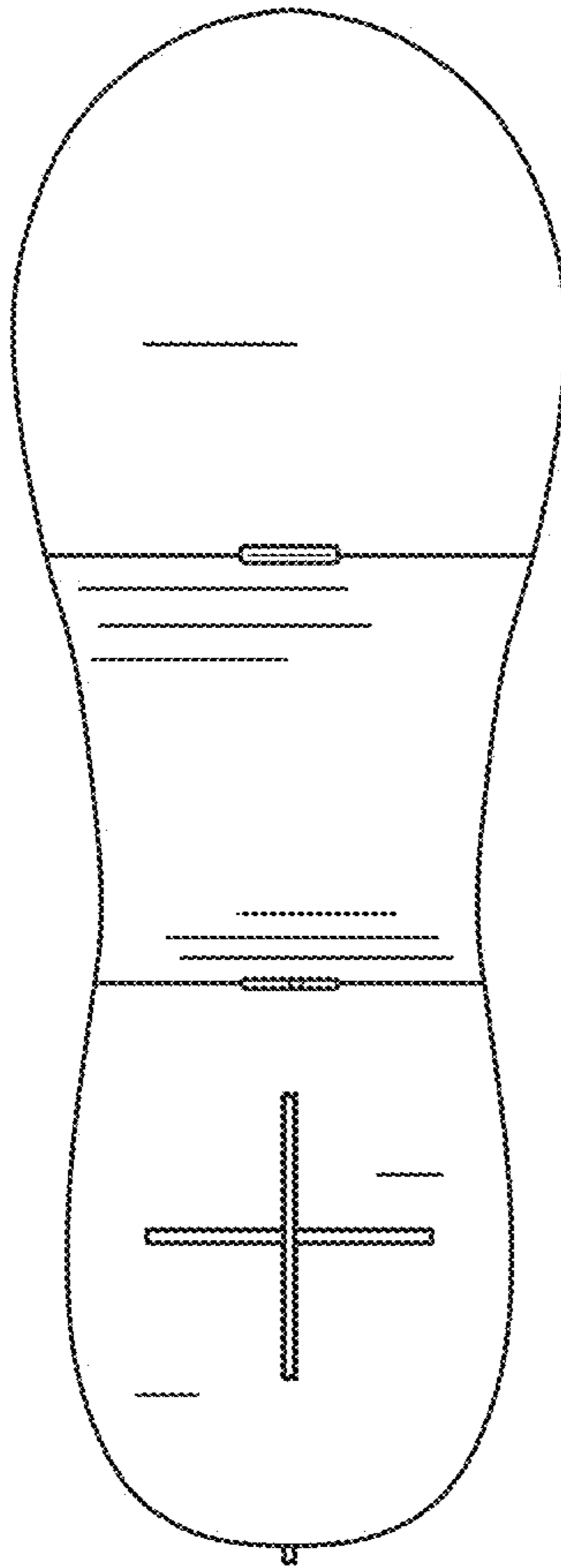


Figure 12

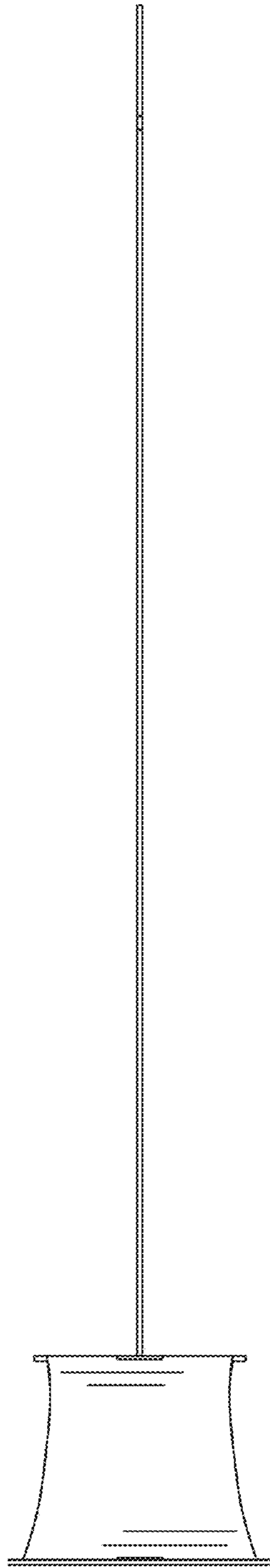


Figure 13

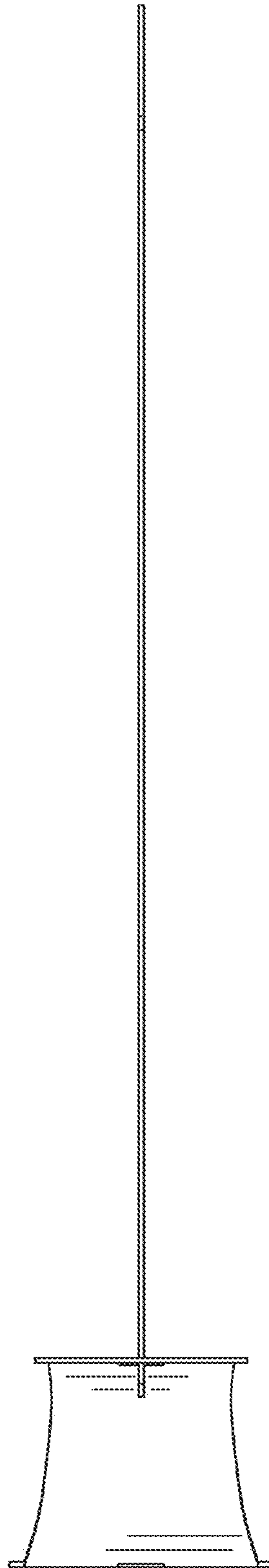


Figure 14

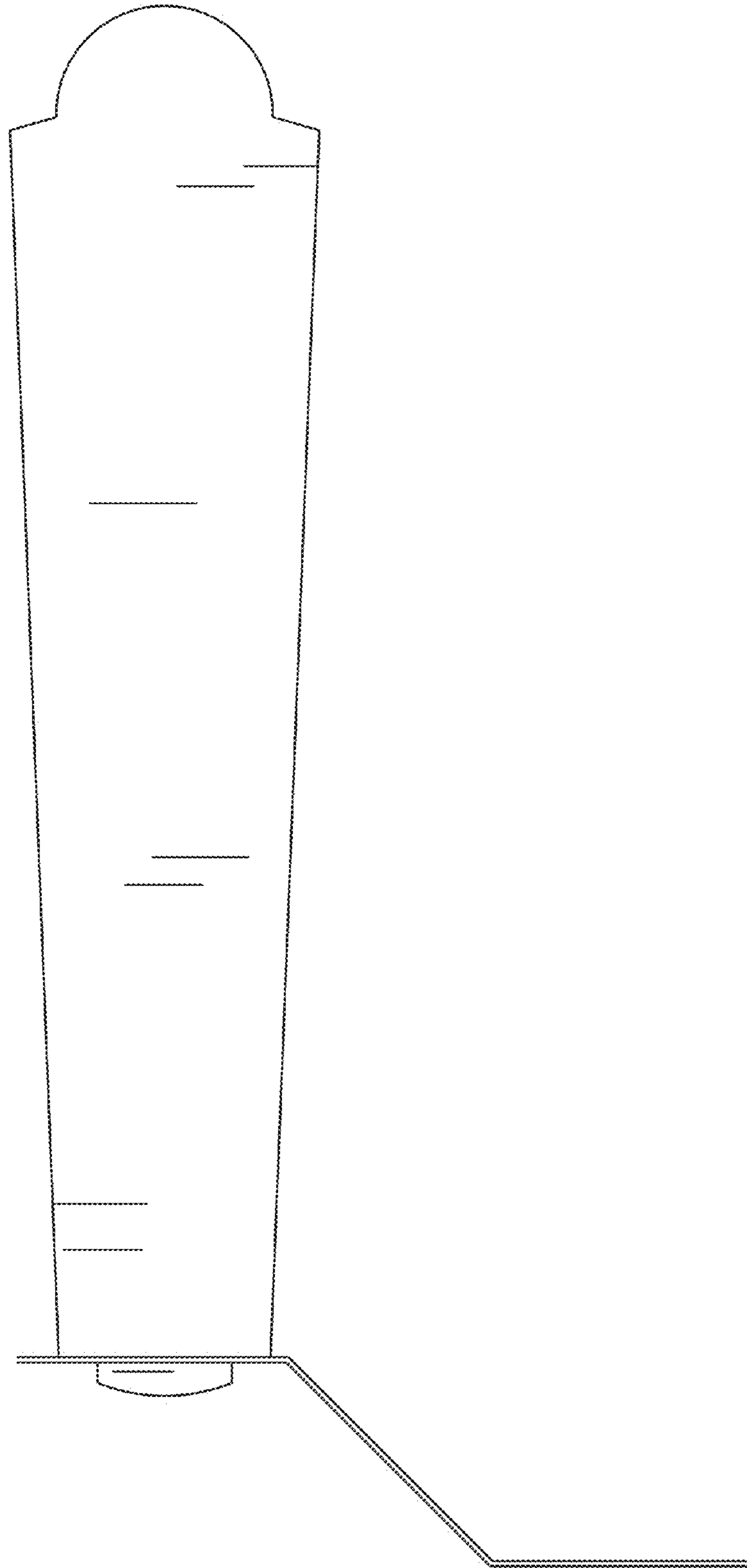


Figure 15

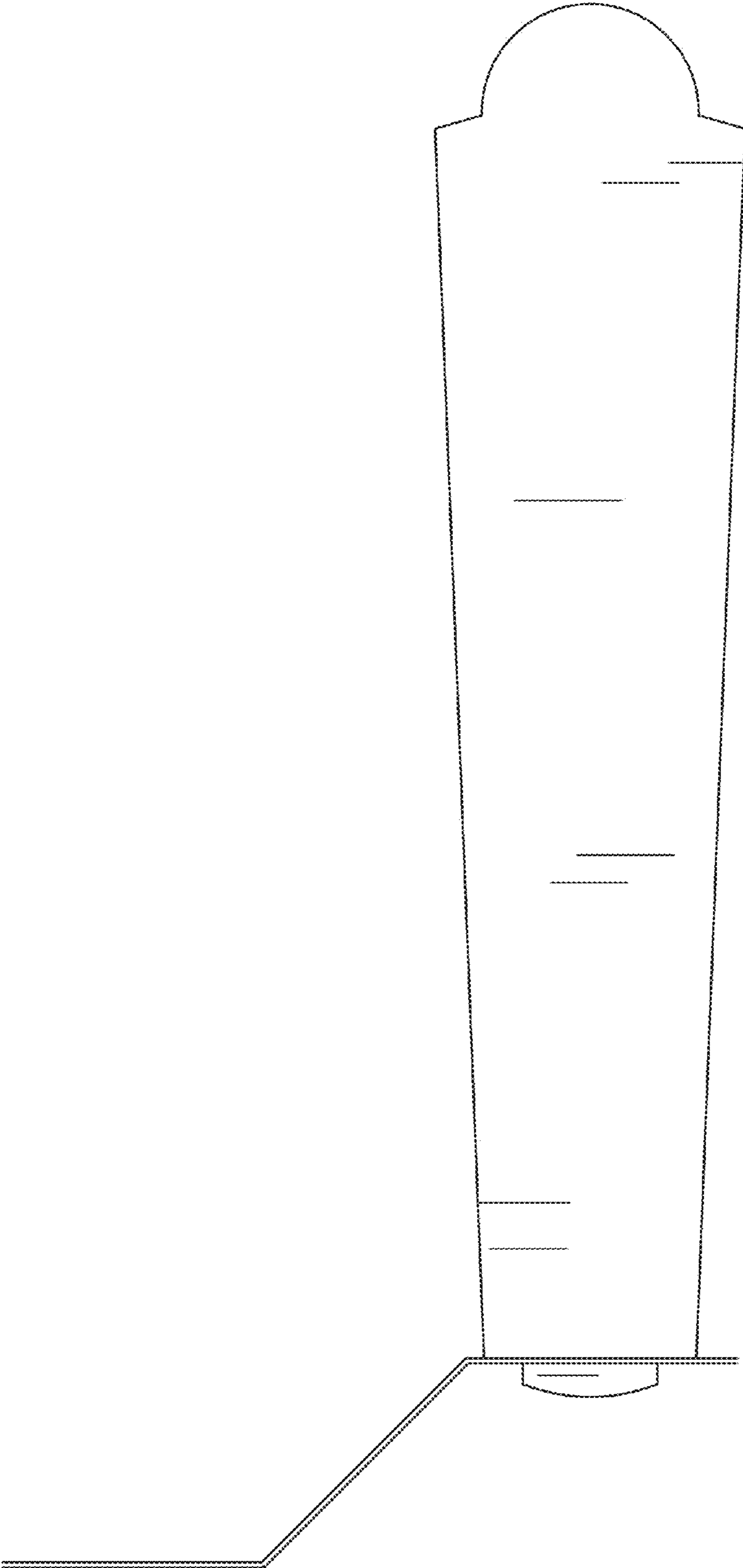


Figure 16