



US00D764134S

(12) **United States Design Patent**  
**Waller et al.**

(10) **Patent No.:** **US D764,134 S**  
(45) **Date of Patent:** **\*\* Aug. 16, 2016**

(54) **SOCK FORM**

- (71) Applicant: **YOE Enterprises, Inc.**, Chattanooga, TN (US)
- (72) Inventors: **Jordan Kenneth Waller**, Hoover, AL (US); **David Lucas Eldridge**, Mountain Brook, AL (US)
- (73) Assignee: **YOE Enterprises, Inc.**, Chattanooga, TN (US)
- (\*\*) Term: **15 Years**
- (21) Appl. No.: **29/532,076**
- (22) Filed: **Jul. 1, 2015**
- (51) **LOC (10) Cl.** ..... **07-05**
- (52) **U.S. Cl.**  
USPC ..... **D32/59**; D32/58
- (58) **Field of Classification Search**  
USPC ..... D32/55, 276, 3; D6/510, 525; D30/133; 211/41.5, 41.4, 41.3, 41.8; 361/679.4; 312/311, 333, 334.4; D7/354, 629  
CPC ..... A47J 47/20; A47J 2201/00; A47J 47/00; B65D 35/02; B65D 35/22; B65D 35/56; A47F 8/02; A61L 2/07; A61L 2/16  
See application file for complete search history.

(56) **References Cited**

**U.S. PATENT DOCUMENTS**

- D15,137 S \* 7/1884 Appleton ..... D32/59
- D55,733 S \* 7/1920 Von Stetten ..... D32/59

(Continued)

**FOREIGN PATENT DOCUMENTS**

- DE 29500171 2/1995
- FR 1503537 5/1966

(Continued)

**OTHER PUBLICATIONS**

Acrylic Women Silk Sock Displays, found at <http://www.china-acrylic-factory.com/cp/html/?463.html>, taken on Jun. 24, 2015.

*Primary Examiner* — Austin Murphy  
(74) *Attorney, Agent, or Firm* — Risson & Associates

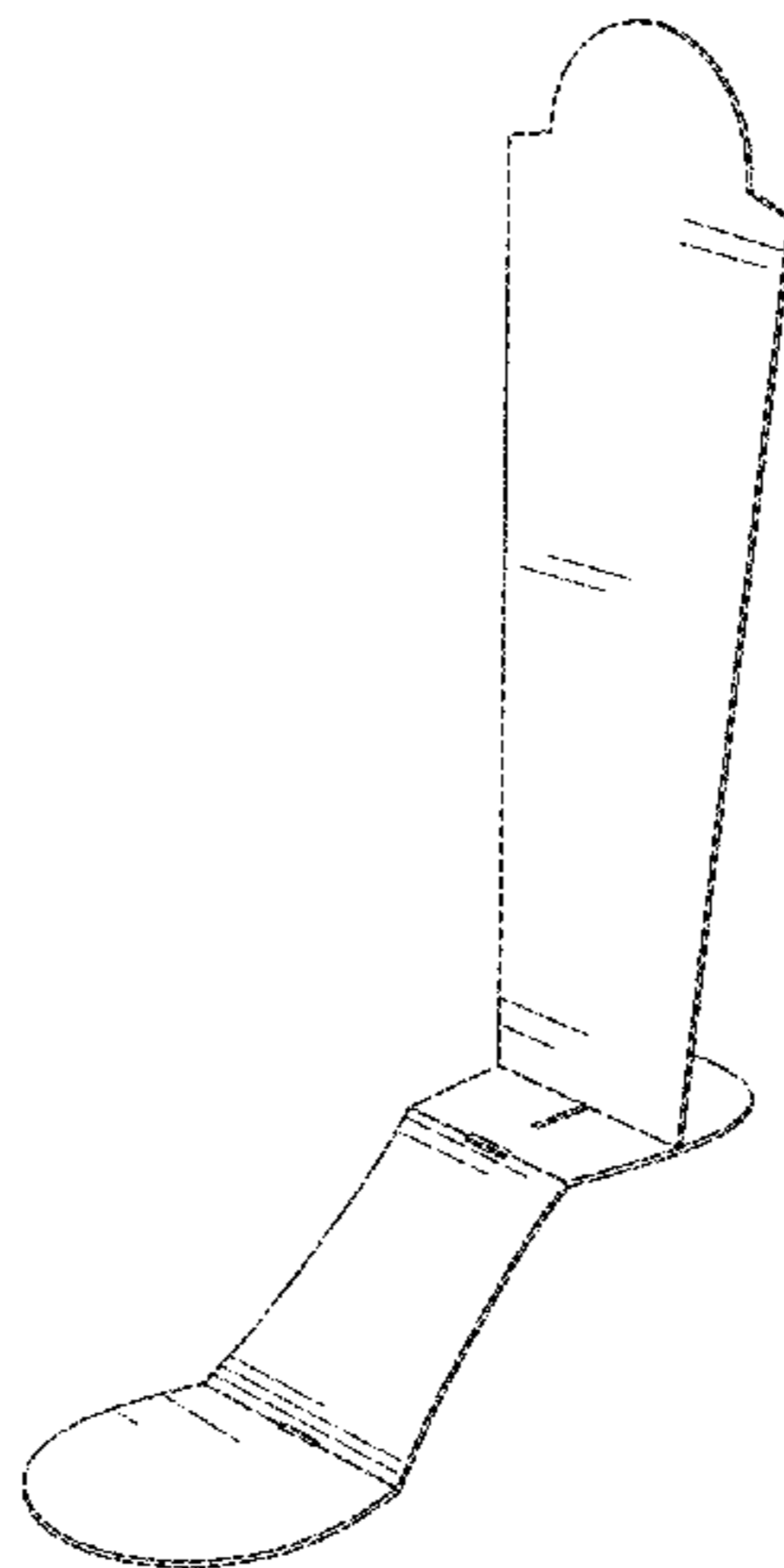
(57) **CLAIM**

The ornamental design for a sock form, as shown and described.

**DESCRIPTION**

FIG. 1 is a left, front-perspective view of a sock form in a first assembled configuration;  
 FIG. 2 is a left front-perspective view of the sock form, depicting the sock form as unassembled;  
 FIG. 3 is a top-view of the sock form in the first assembled configuration;  
 FIG. 4 is a bottom-view of the sock form in the first assembled configuration;  
 FIG. 5 is a front-view of the sock form in the first assembled configuration;  
 FIG. 6 is a rear-view of the sock form in the first assembled configuration;  
 FIG. 7 is a right, side-view of the sock form in the first assembled configuration;  
 FIG. 8 is a left, side-view of the sock form in the first assembled configuration;  
 FIG. 9 is a left, front-perspective view of the sock form in a second assembled configuration;  
 FIG. 10 is a left, front-perspective view of the sock form, depicting the sock form as unassembled;  
 FIG. 11 is a top-view of the sock form in the second assembled configuration;  
 FIG. 12 is a bottom-view of the sock form in the second assembled configuration;  
 FIG. 13 is a front-view of the sock form the second assembled configuration;  
 FIG. 14 is a rear-view of the sock form in the second assembled configuration;  
 FIG. 15 is a right, side-view of the sock form in the second assembled configuration; and,  
 FIG. 16 is a left, side-view of the sock form in the second assembled configuration.

**1 Claim, 16 Drawing Sheets**



(56)

**References Cited**

U.S. PATENT DOCUMENTS

D59,231 S \* 10/1921 Kelly ..... D32/59  
 1,493,294 A \* 5/1924 Timberlake ..... D06F 59/06  
 211/119  
 1,709,712 A 4/1929 Fagan  
 1,874,757 A \* 8/1932 Kerler ..... A47G 25/20  
 223/77  
 2,062,777 A 12/1936 Blackman  
 D116,587 S \* 9/1939 Williams ..... D20/32  
 2,451,208 A \* 10/1948 Fouke ..... D06F 59/06  
 223/77  
 2,453,183 A \* 11/1948 Bersudsky ..... D06F 59/06  
 223/77  
 D157,017 S \* 1/1950 Wolfe ..... D32/59  
 2,810,212 A 10/1957 Sturmer  
 D193,805 S \* 10/1962 Jennings, Jr. .... D32/59  
 3,072,305 A 1/1963 Bryant, Jr.

3,169,680 A 2/1965 Horberg, Jr.  
 D218,847 S \* 9/1970 Specht ..... D32/59  
 D221,798 S \* 9/1971 Merritt ..... D20/32  
 D350,633 S \* 9/1994 Wong ..... D32/59  
 D415,598 S \* 10/1999 Thurman ..... D32/59  
 D426,926 S \* 6/2000 Julien ..... D32/59  
 D519,255 S \* 4/2006 Peet ..... D32/59  
 D562,519 S \* 2/2008 Palese ..... D32/59  
 D585,170 S \* 1/2009 Henderson ..... D32/59

FOREIGN PATENT DOCUMENTS

FR	1508994	1/1968
GB	167354	8/1921
GB	399839	10/1933
GB	624396	6/1949
GB	740227	11/1955

\* cited by examiner

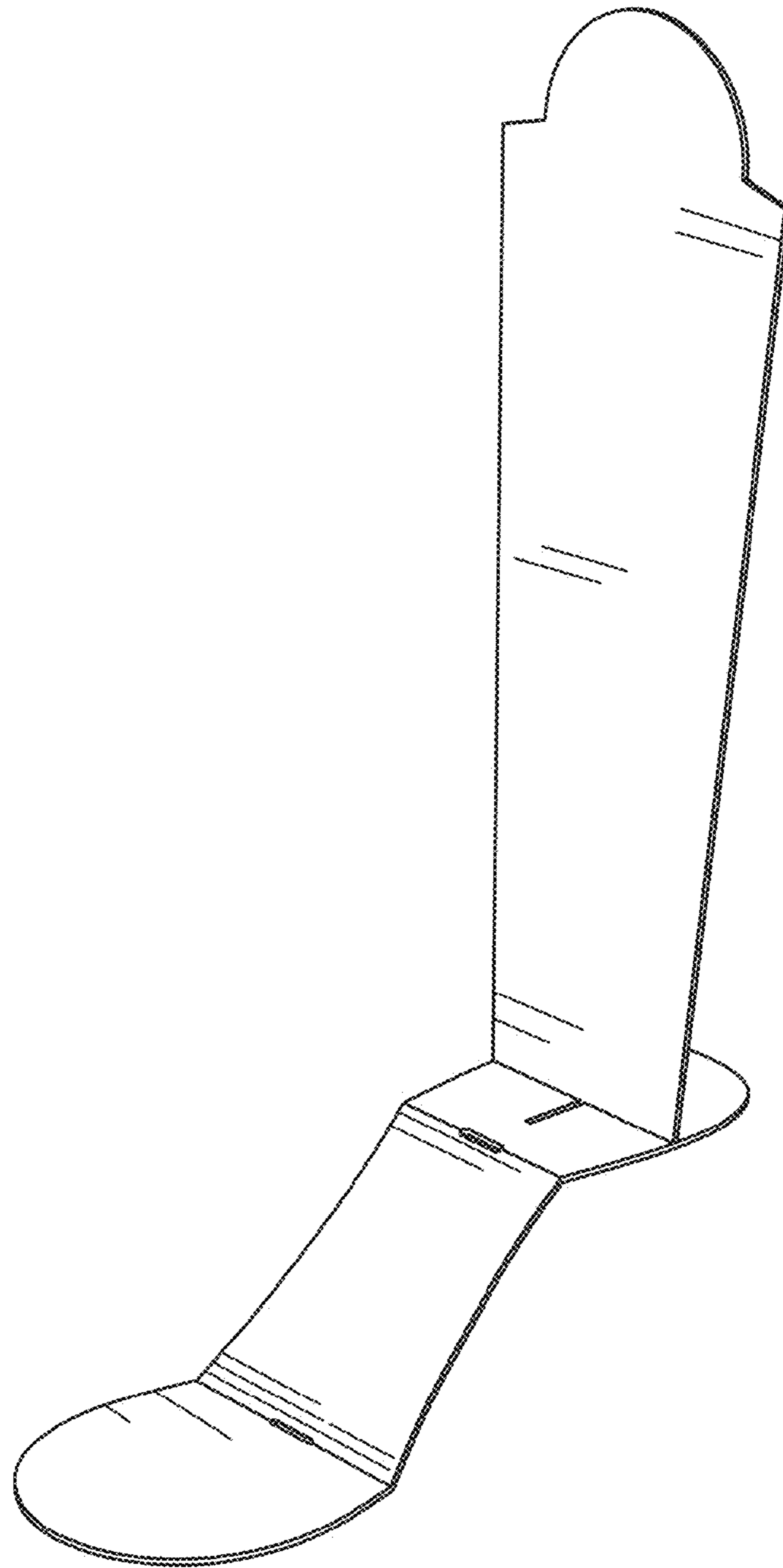


Figure 1

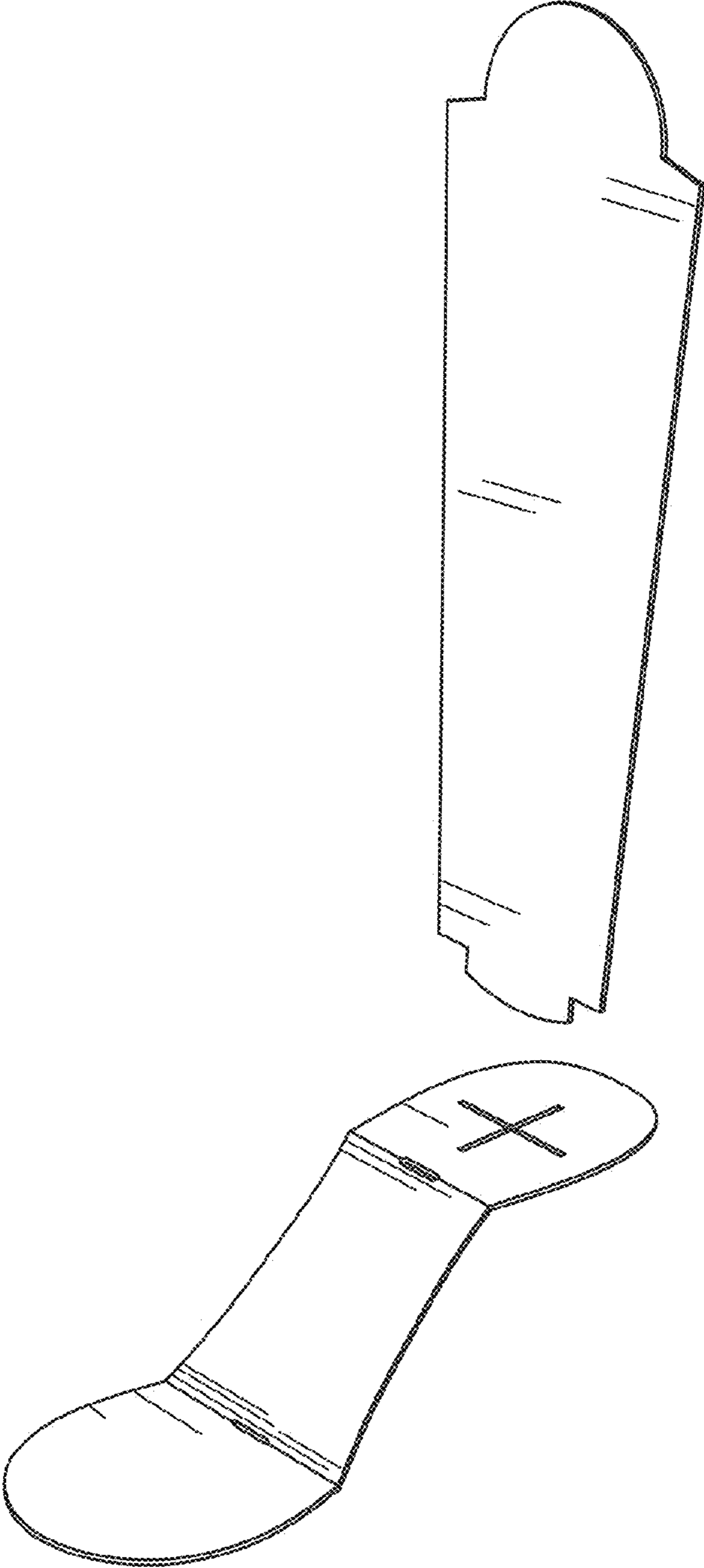


Figure 2

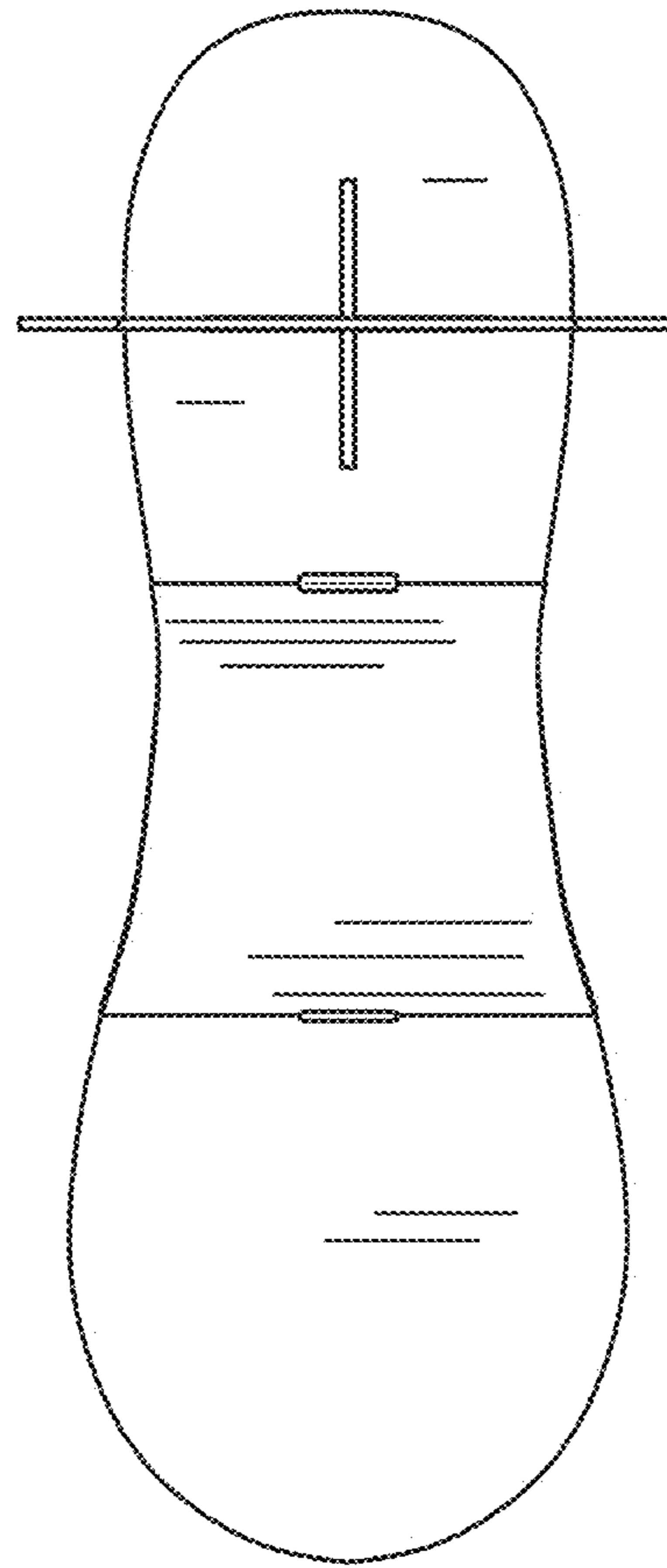


Figure 3

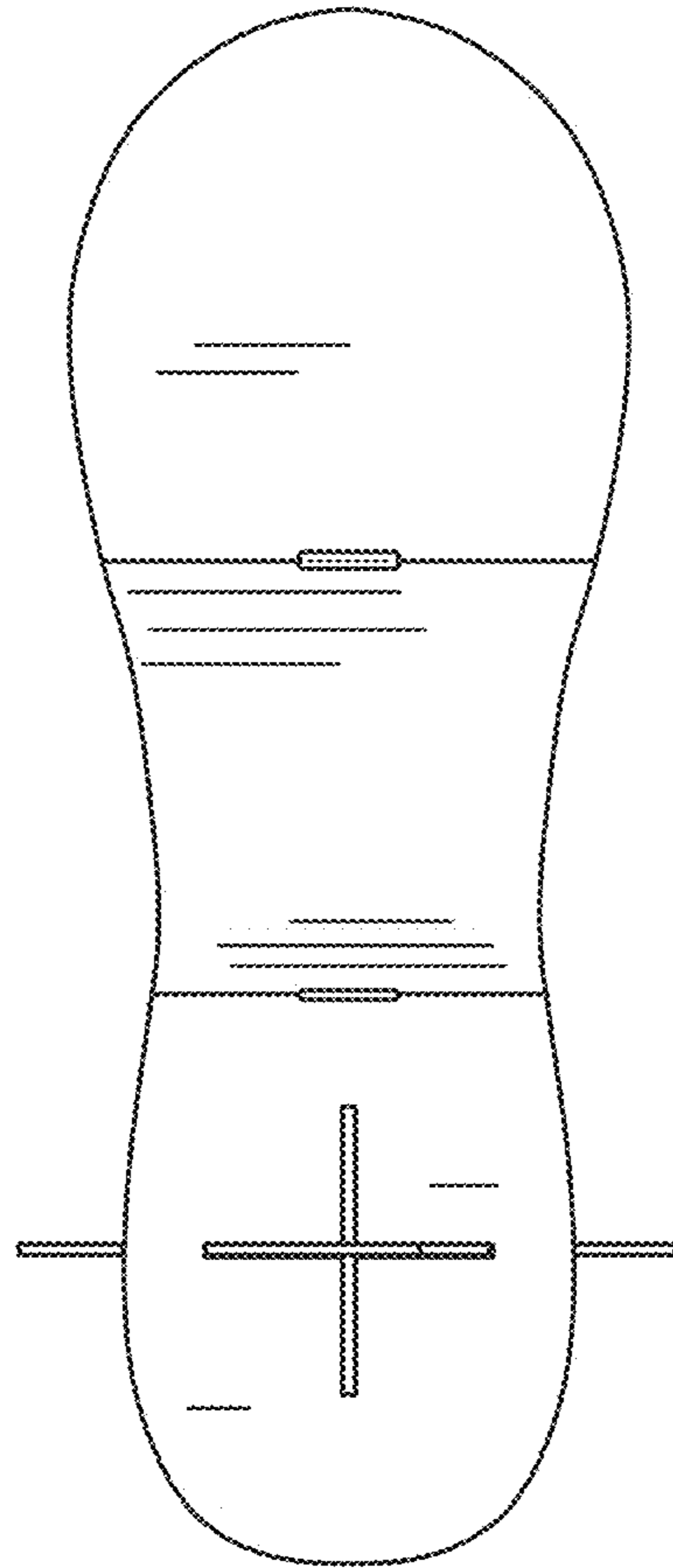


Figure 4

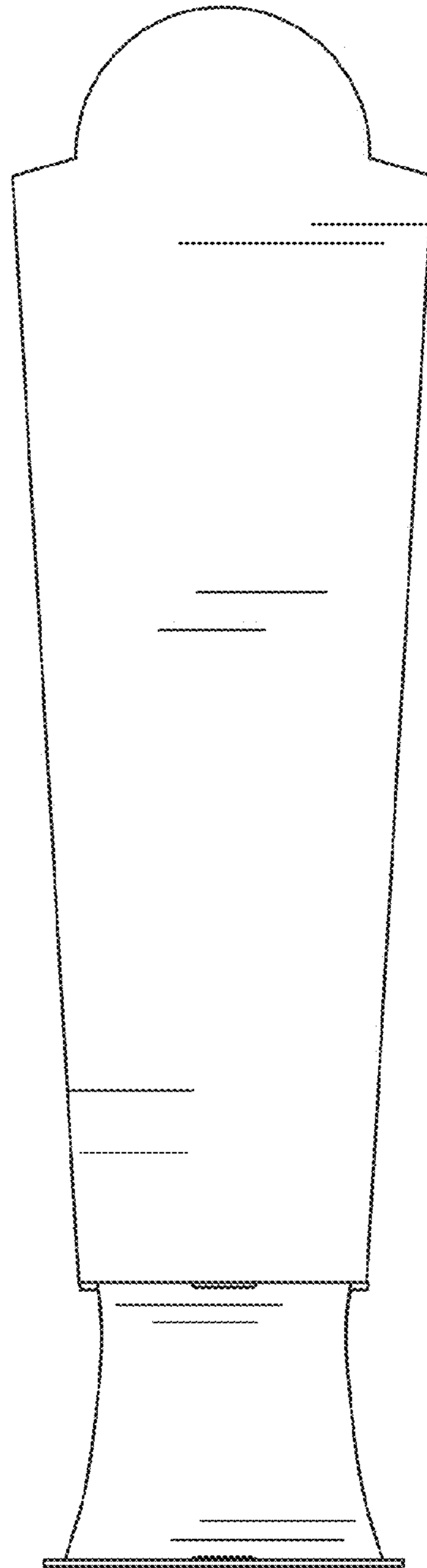


Figure 5

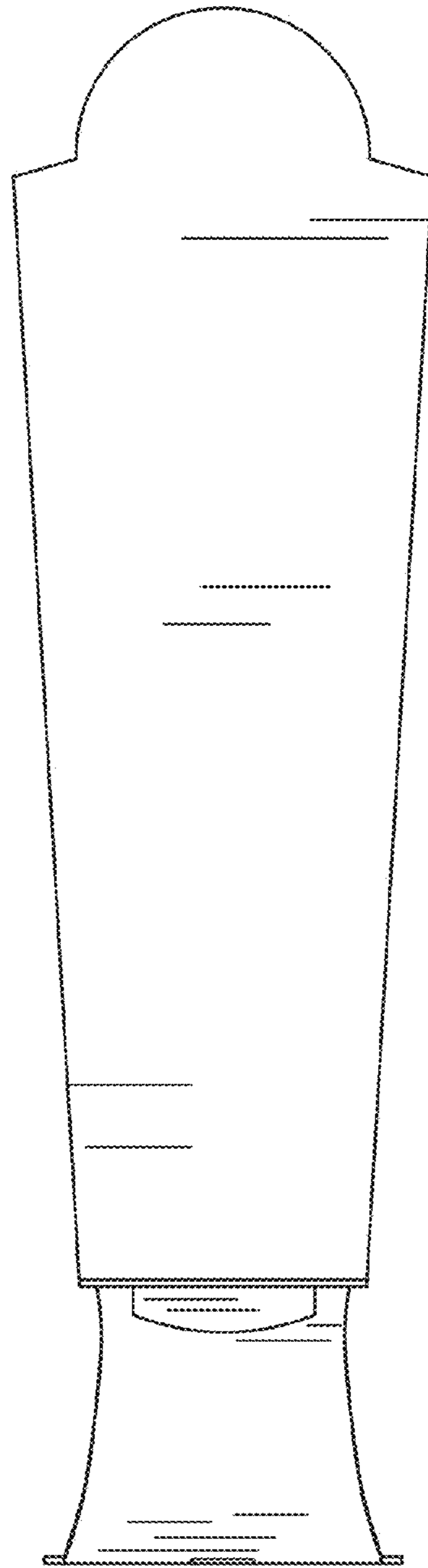


Figure 6



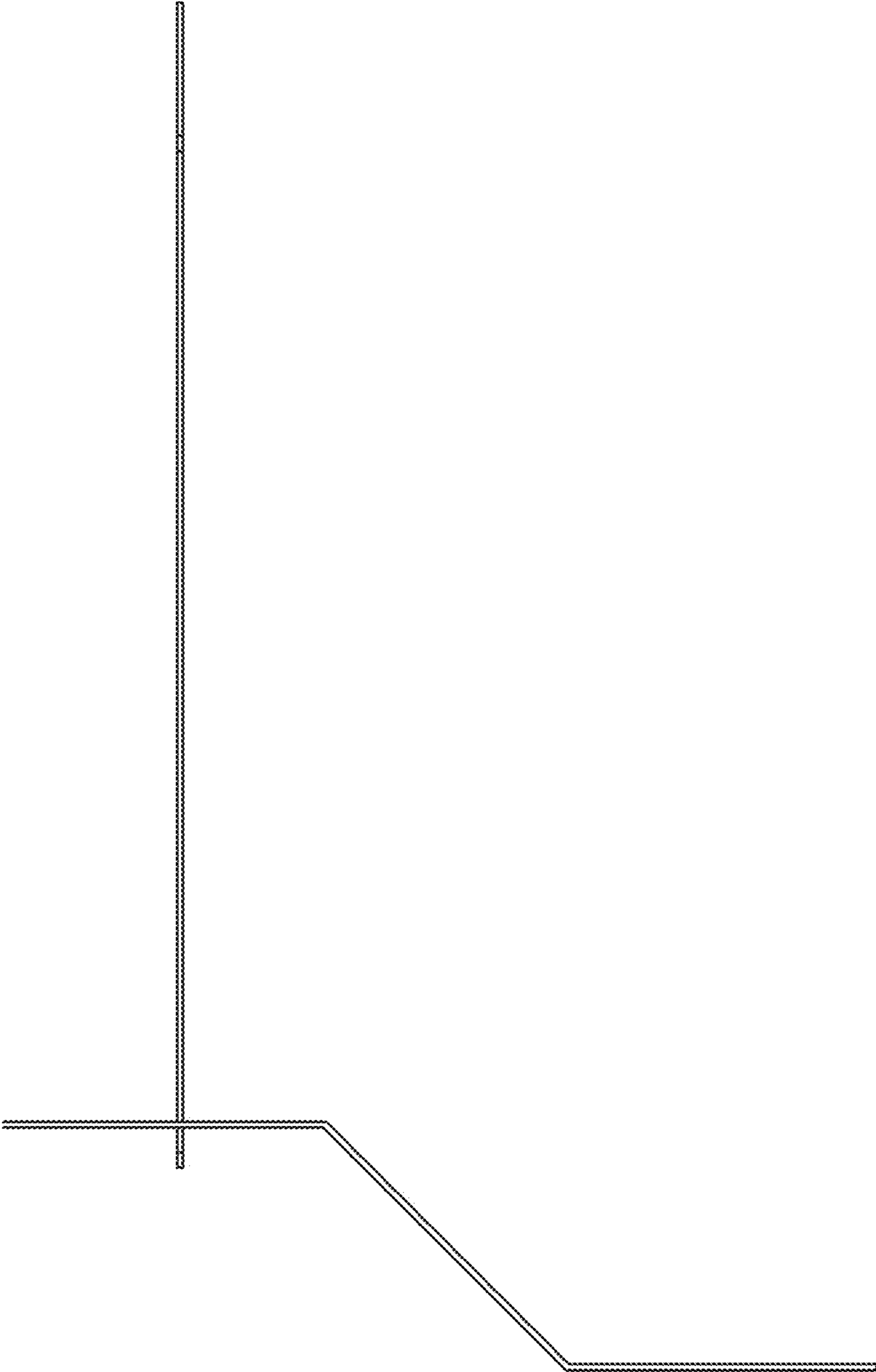


Figure 7

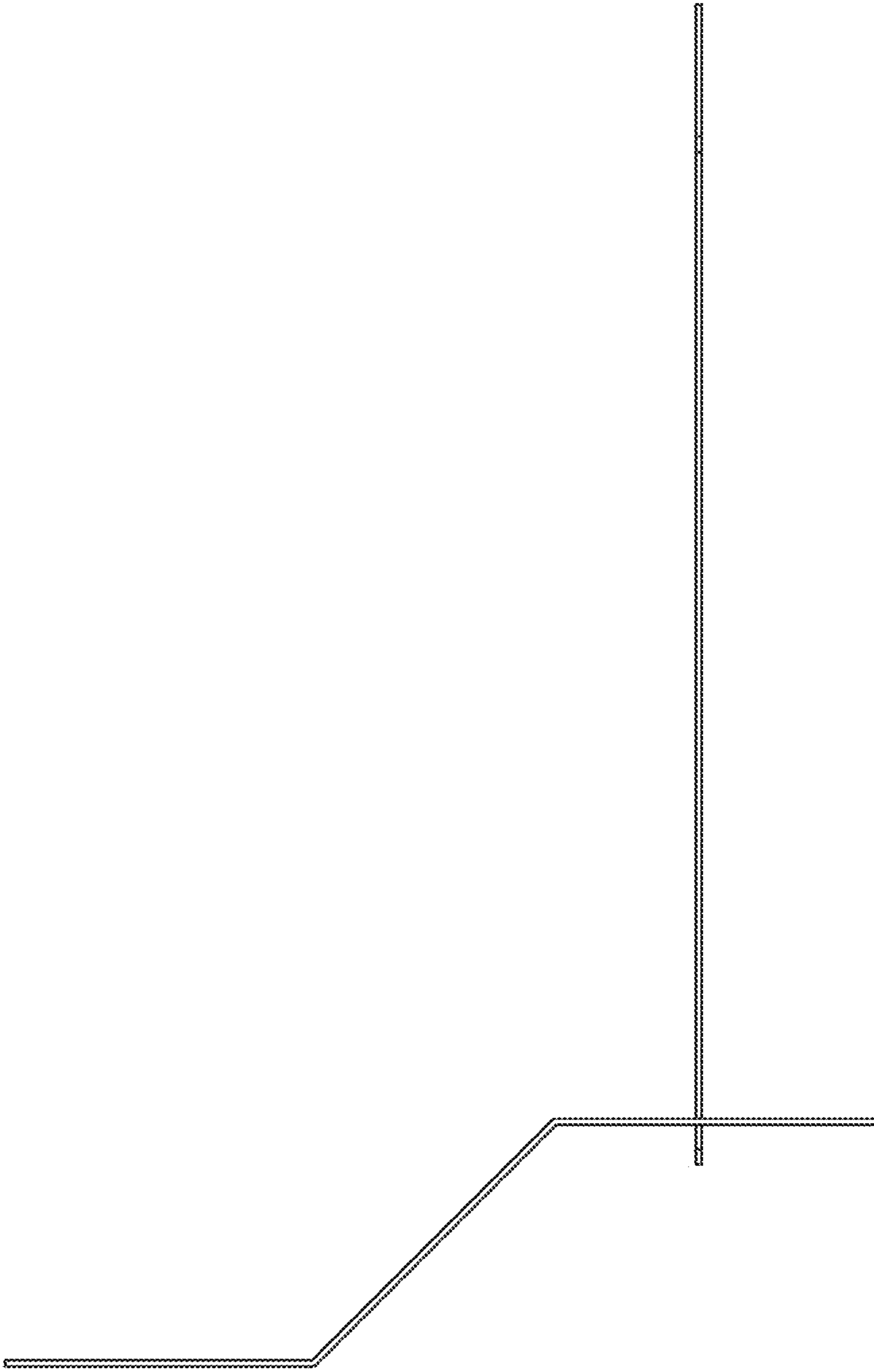


Figure 8

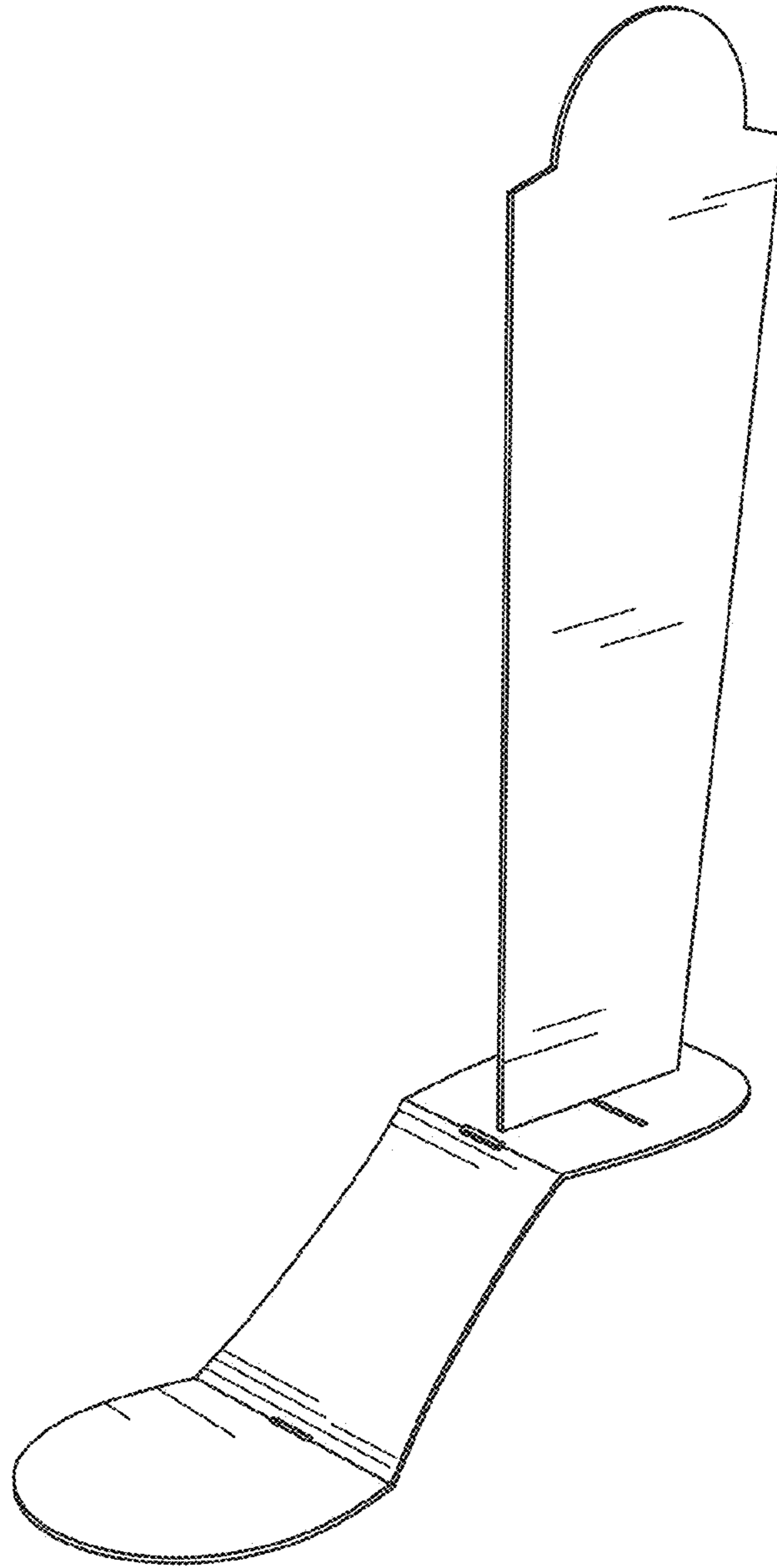


Figure 9

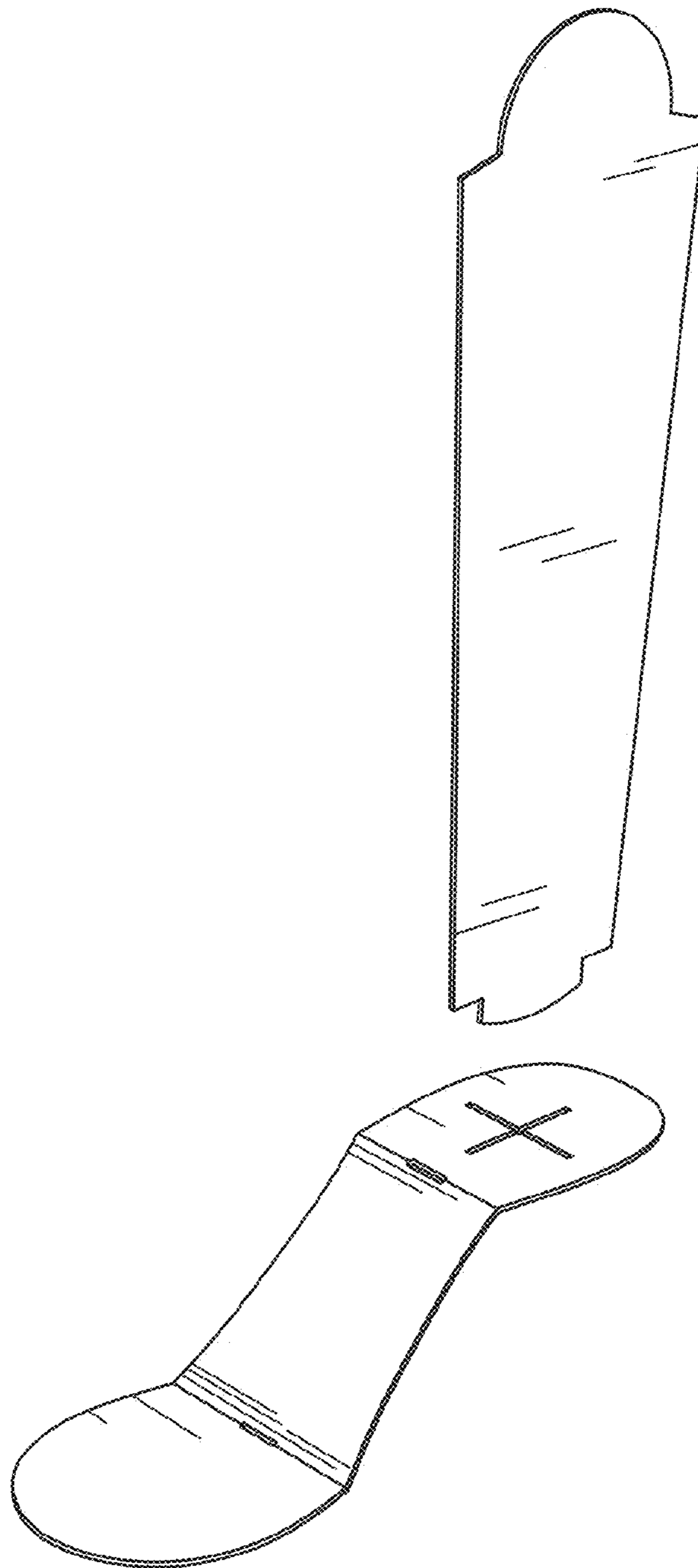


Figure 10

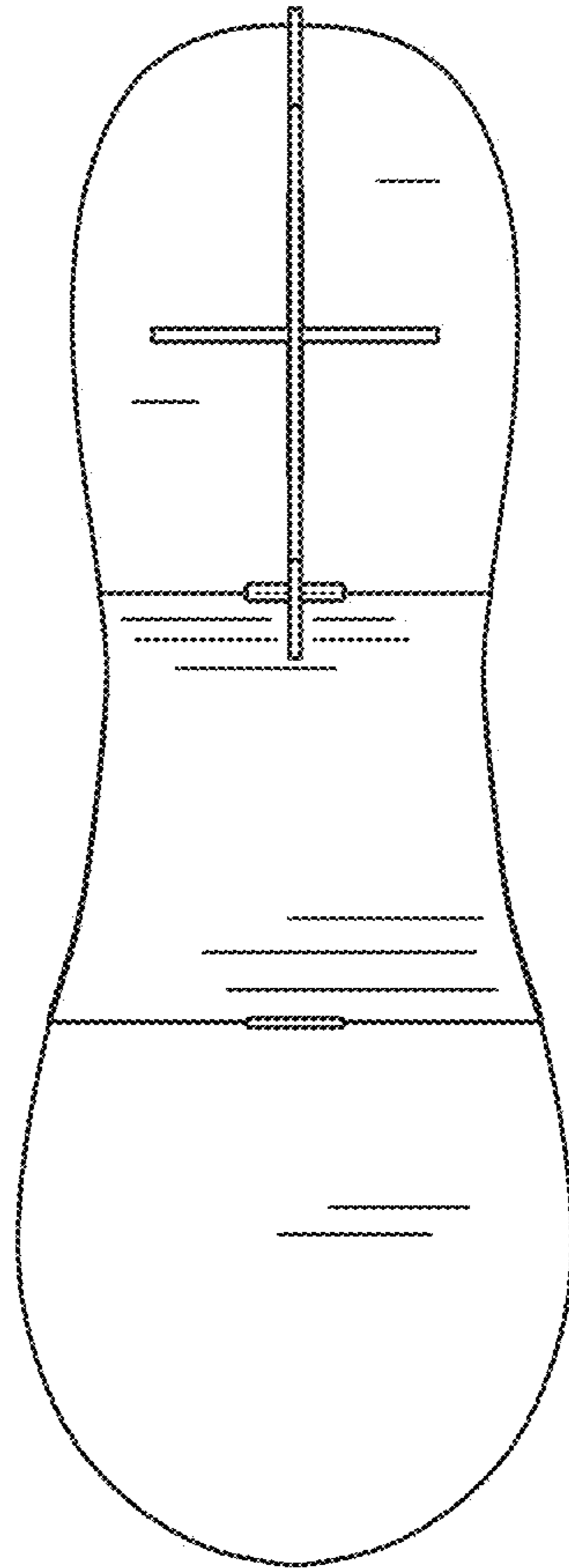


Figure 11

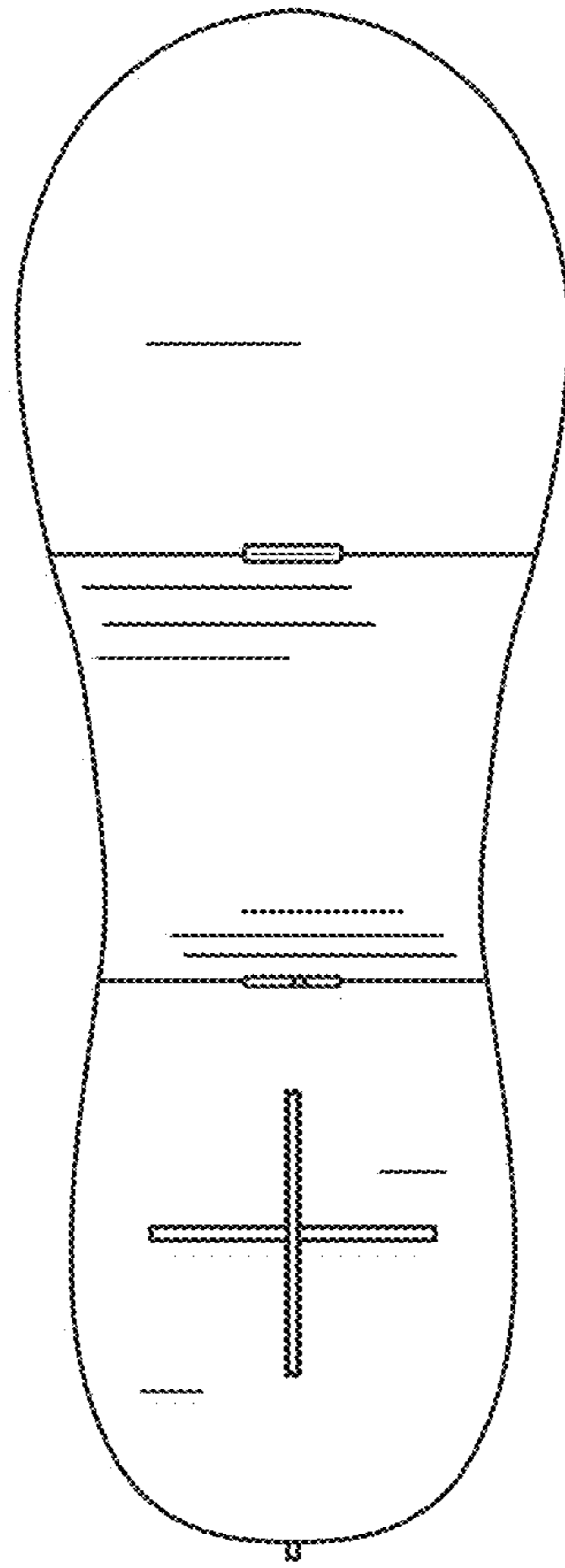


Figure 12

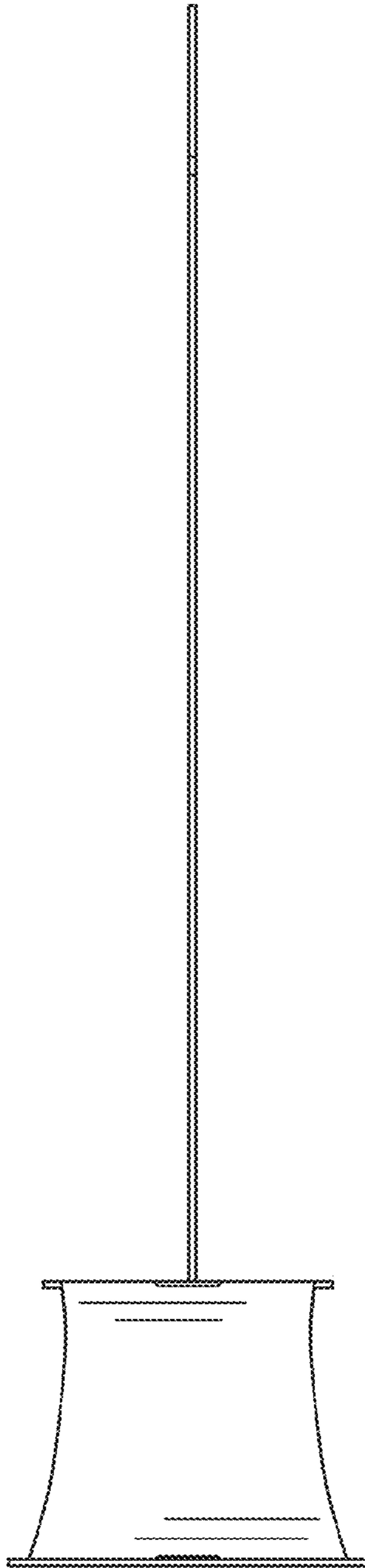


Figure 13

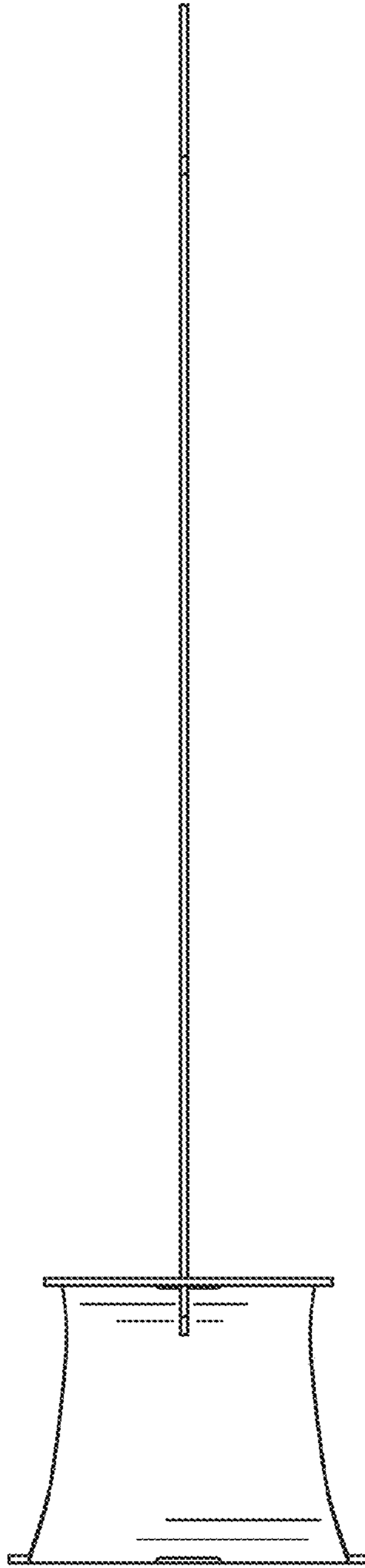


Figure 14



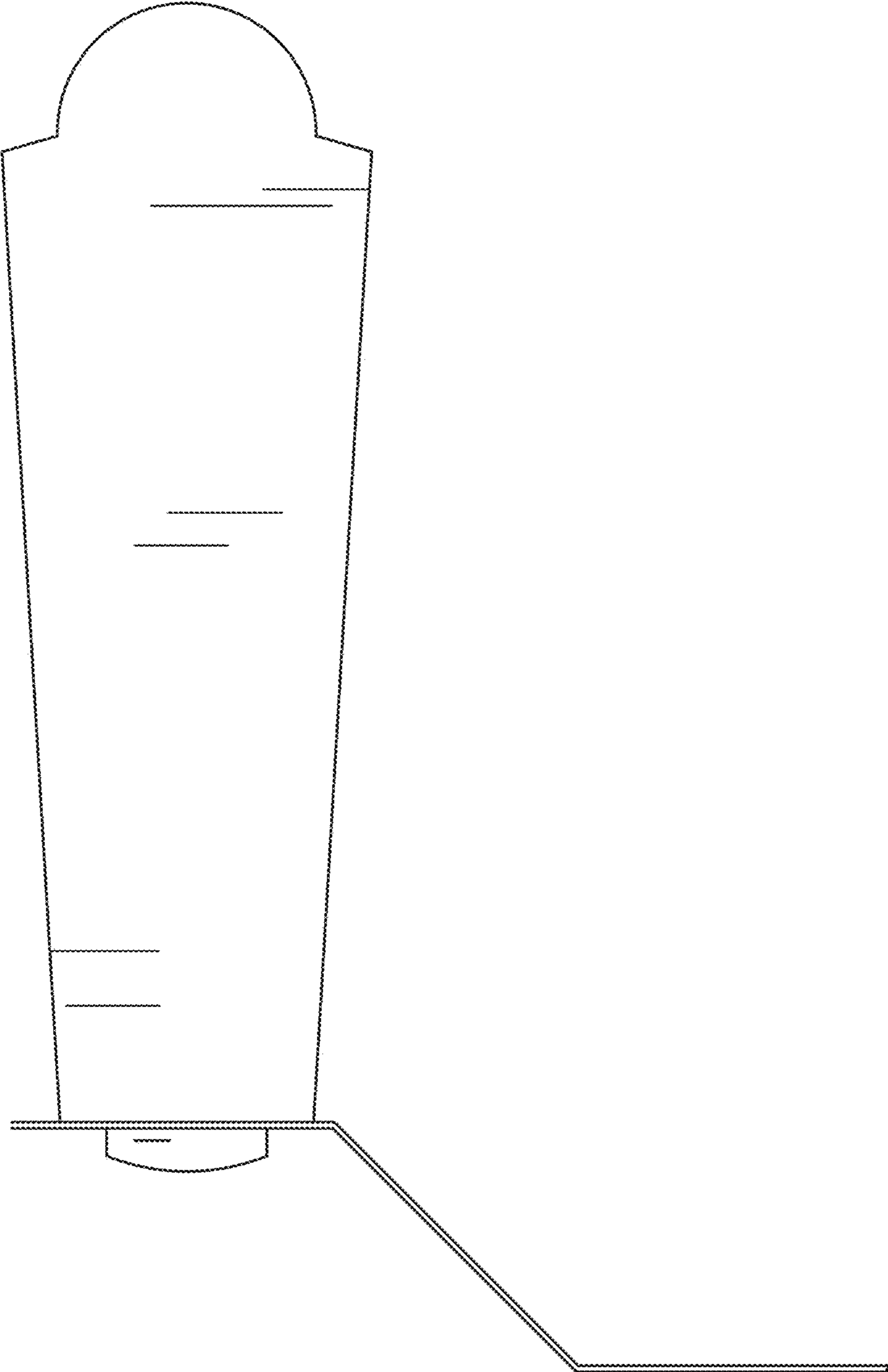


Figure 15

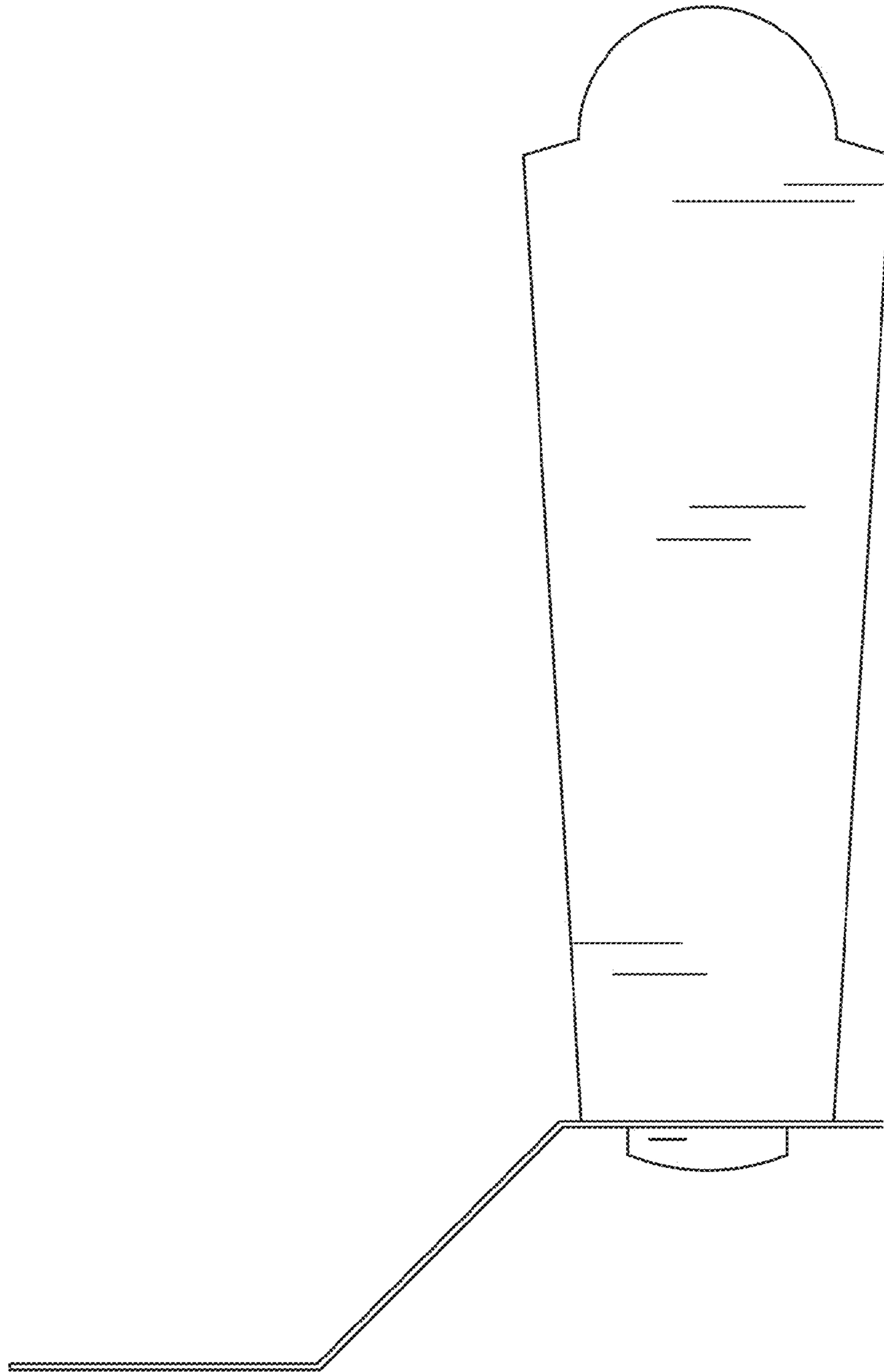


Figure 16