



US00D764131S

(12) **United States Design Patent**  
**Seifts et al.**

(10) **Patent No.:** **US D764,131 S**  
(45) **Date of Patent:** **\*\* Aug. 16, 2016**

(54) **BROOM HEAD**

FOREIGN PATENT DOCUMENTS

(71) Applicant: **Freudenberg Household Products LP**,  
Aurora, IL (US)

CA 1330330 \* 2/2011  
CN 301980212 \* 7/2012

(Continued)

(72) Inventors: **Joseph Seifts**, Naperville, IL (US);  
**Balaji Kandasamy**, Naperville, IL (US)

OTHER PUBLICATIONS

(73) Assignee: **Freudenberg Household Products LP**,  
Aurora, IL (US)

Amazon.com—O—Cedar Angler Angle Broom with Dust Pan—  
Red Broom, customer review Oct. 2, 2013, online, [http://www.amazon.com/O-Cedar-Angler-Angle-Broom-Dust/dp/B001229JC0/ref=cm\\_cr\\_arp\\_d\\_product\\_top?ie=UTF8](http://www.amazon.com/O-Cedar-Angler-Angle-Broom-Dust/dp/B001229JC0/ref=cm_cr_arp_d_product_top?ie=UTF8), [site visited Mar. 8, 2016 8:23:54 PM].\*

(\*\*) Term: **14 Years**

(Continued)

(21) Appl. No.: **29/497,536**

(22) Filed: **Jul. 25, 2014**

*Primary Examiner* — John Windmuller

(51) **LOC (10) Cl.** ..... **04-01**

*Assistant Examiner* — John R Yeh

(52) **U.S. Cl.**  
USPC ..... **D32/50**; D4/199

(74) *Attorney, Agent, or Firm* — Leydig, Voit & Mayer, Ltd.

(58) **Field of Classification Search**  
USPC ..... D4/100, 118, 130–135, 199;  
D32/50–53

(57) **CLAIM**

The ornamental design for a broom head, as shown and described.

CPC ..... A46B 3/00; A46B 3/08; A46B 15/0061;  
A46B 15/00; A46B 9/02; A46B 1/20; A46B  
1/022; A47L 5/22; A47L 5/24; A47L 13/10;  
A47L 13/12; A47L 13/08; A47L 7/08

**DESCRIPTION**

See application file for complete search history.

FIG. 1 is a perspective view taken from the front and left side of a broom head in accordance with our new design.

FIG. 2 is a front view of the broom head of FIG. 1.

FIG. 3 is a rear view of the broom head of FIG. 1.

FIG. 4 is a right side elevational view of the broom head of FIG. 1.

FIG. 5 is a left side elevational view of the broom head of FIG. 1.

FIG. 6 is a top view of the broom head of FIG. 1; and,

FIG. 7 is a bottom view of the broom head of FIG. 1.

The broken lines represent broom bristles and another portion of the broom that form no part of the claimed design.

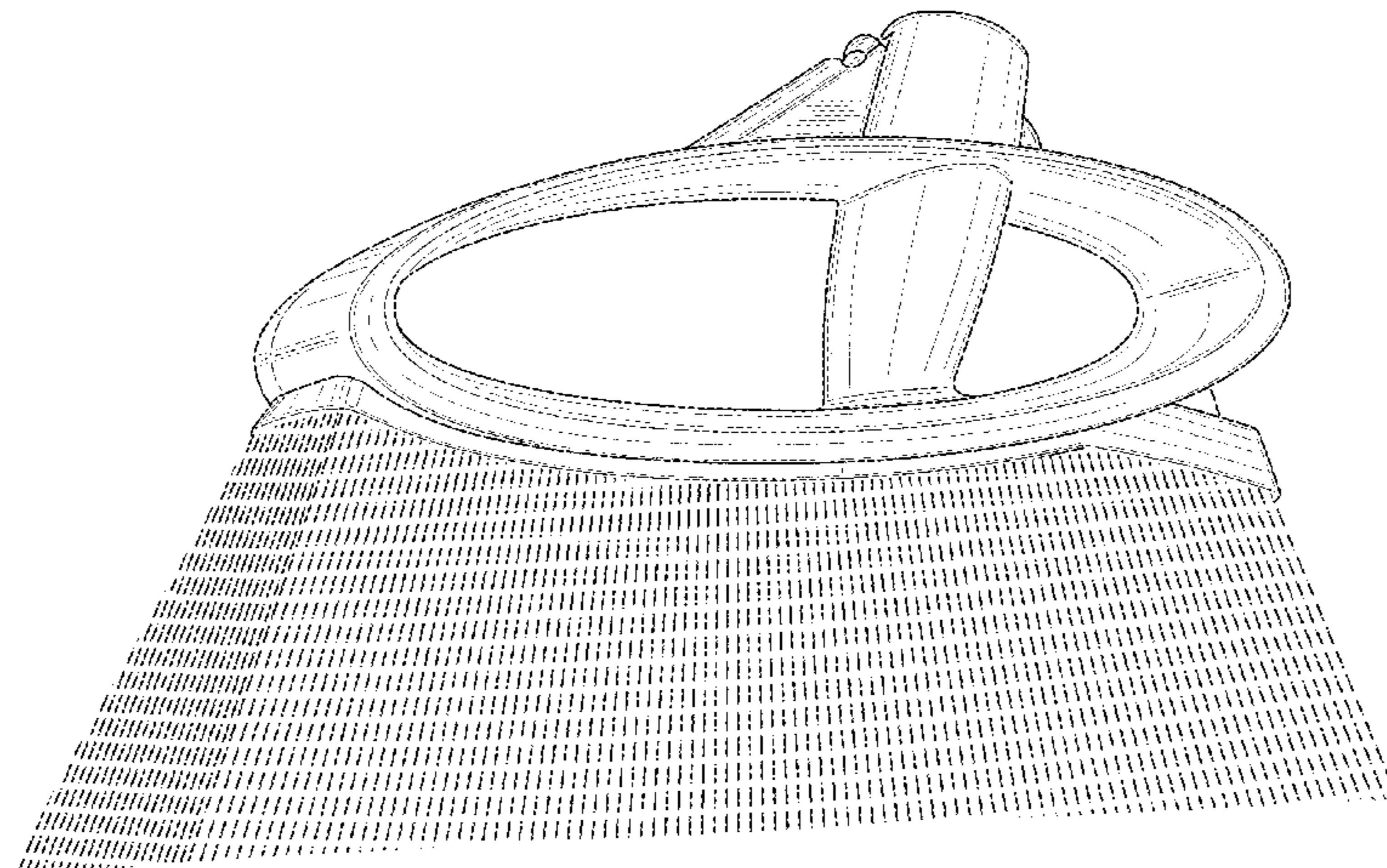
(56) **References Cited**

U.S. PATENT DOCUMENTS

4,654,921 A \* 4/1987 Dinner ..... A46B 5/02  
15/143.1  
D359,853 S \* 7/1995 Haug ..... D4/129  
D371,003 S \* 6/1996 Wolfenden ..... D4/135  
D383,269 S \* 9/1997 Berti ..... D32/50  
5,799,360 A \* 9/1998 Vosbikian ..... A47L 13/52  
15/159.1  
D411,920 S \* 7/1999 Vosbikian ..... D4/135

(Continued)

**1 Claim, 5 Drawing Sheets**



(56)

**References Cited**

U.S. PATENT DOCUMENTS

D472,716 S \* 4/2003 Hay ..... D32/50  
 D473,057 S \* 4/2003 Chan ..... D32/50  
 6,598,257 B2 \* 7/2003 Cavalheiro ..... A46B 5/0095  
 15/143.1  
 D497,723 S \* 11/2004 Sickler ..... D4/121  
 D511,250 S \* 11/2005 Hay ..... D4/135  
 D521,201 S \* 5/2006 Iacchetti ..... D32/51  
 D527,529 S \* 9/2006 Ajluni ..... D4/129  
 D537,255 S \* 2/2007 Berti ..... D32/50  
 D572,013 S \* 7/2008 Weis ..... D4/199  
 D572,014 S \* 7/2008 Weis ..... D4/199  
 D587,417 S \* 2/2009 Sartori ..... D4/135  
 D683,968 S \* 6/2013 Pottes ..... D4/199  
 8,485,611 B2 \* 7/2013 Weis ..... A46B 5/0095  
 264/241  
 D699,412 S \* 2/2014 Smith ..... D32/50

2004/0148720 A1\* 8/2004 Laux ..... A46B 15/00  
 15/114  
 2005/0015905 A1\* 1/2005 Boyer ..... A46B 3/06  
 15/159.1  
 2005/0204498 A1\* 9/2005 Saunders ..... A46B 7/02  
 15/172

FOREIGN PATENT DOCUMENTS

EM 000299193-0002 \* 6/2005  
 WO WO D061157-001 \* 10/2002

OTHER PUBLICATIONS

Amazon.com—O—Cedar Power Corner Large Angle Broom—O  
 Cedar Broom, oldest review date Jan. 9, 2014, online, [http://www.amazon.com/O-Cedar-Power-Corner-Large-Angle/dp/B004TR6H91/ref=cm\\_cr\\_arp\\_d\\_product\\_top?ie=UTF8](http://www.amazon.com/O-Cedar-Power-Corner-Large-Angle/dp/B004TR6H91/ref=cm_cr_arp_d_product_top?ie=UTF8), [site visited Mar. 8, 2016 8:18:46 PM].\*

\* cited by examiner

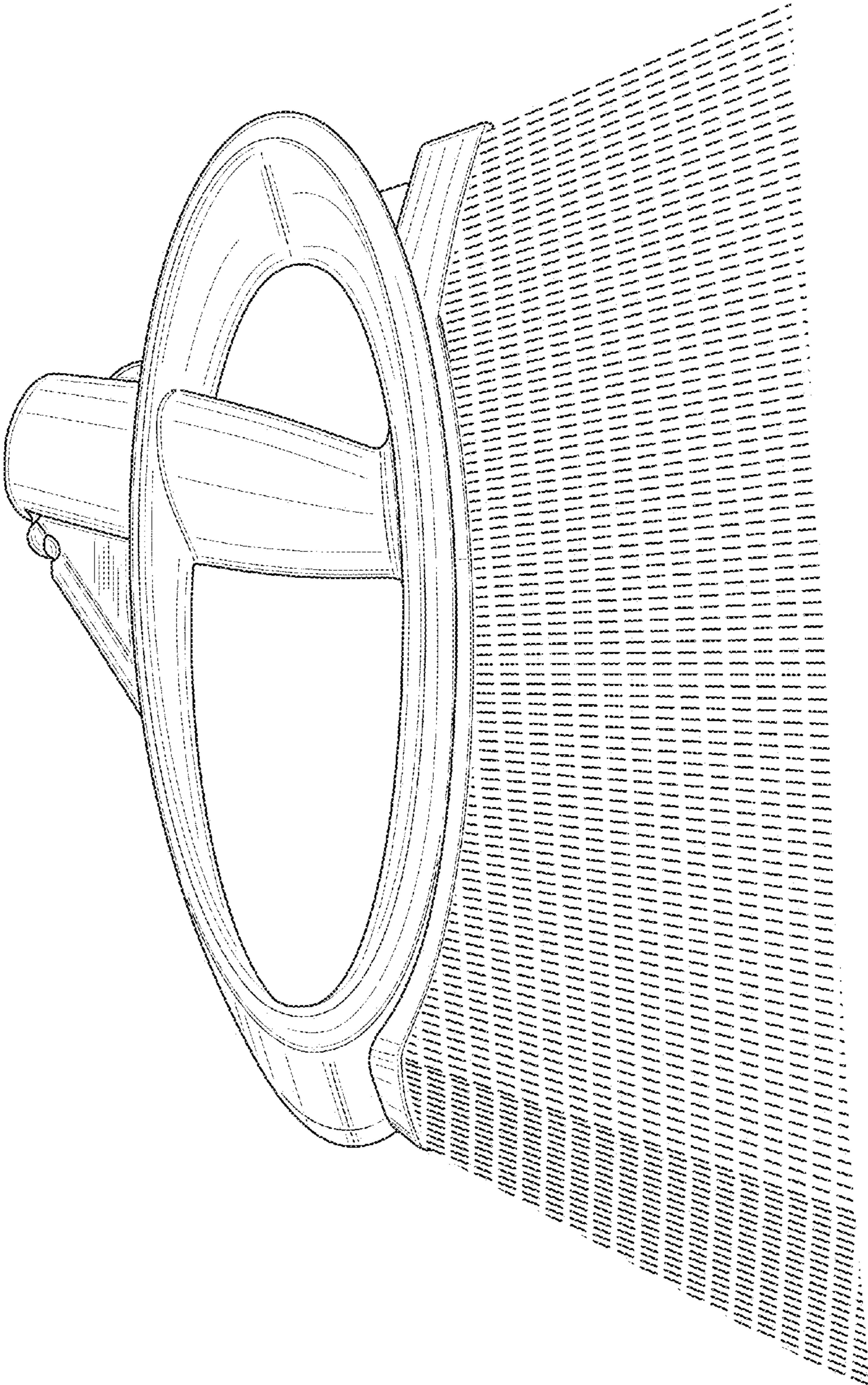


FIG. 1

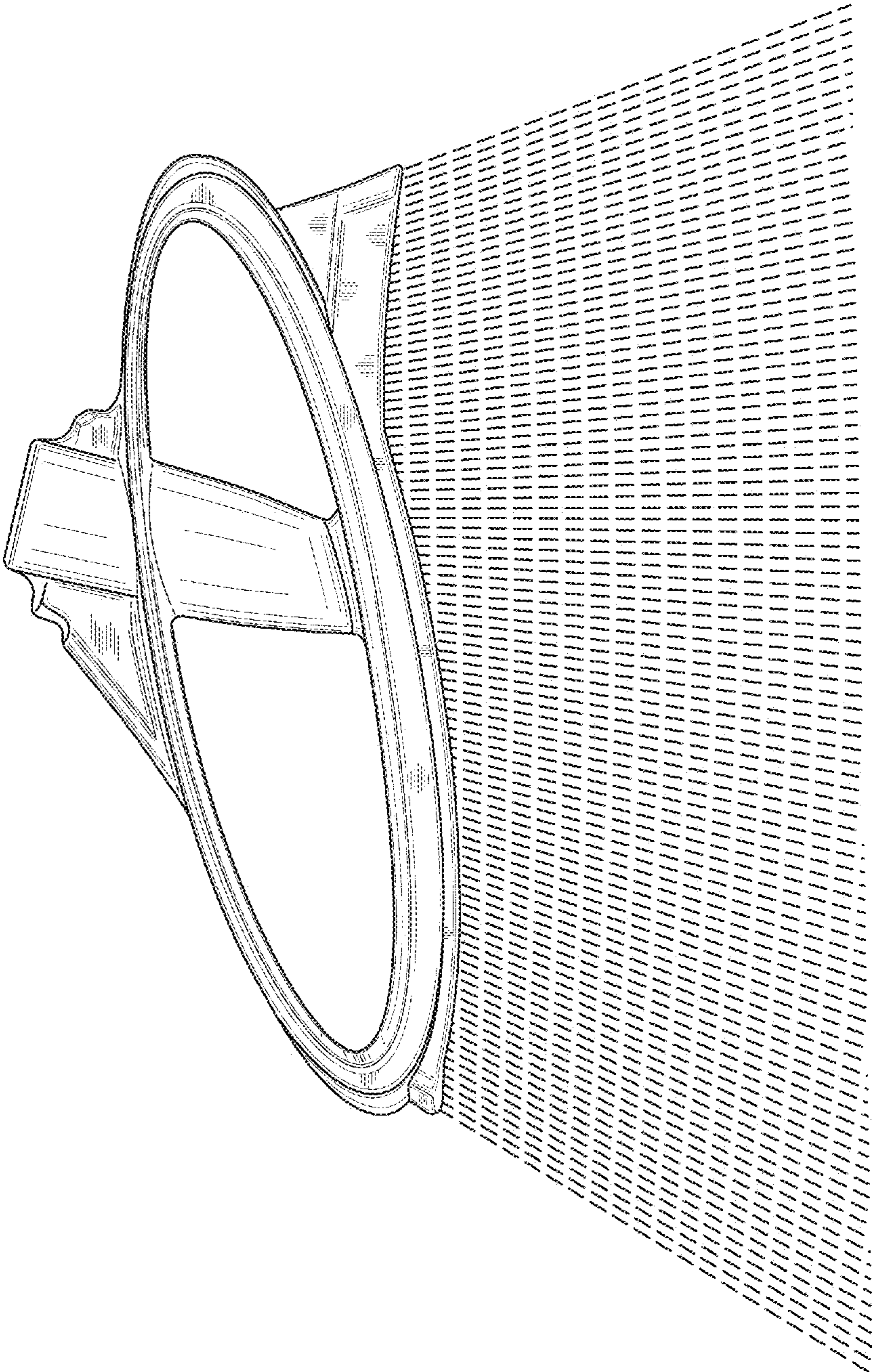
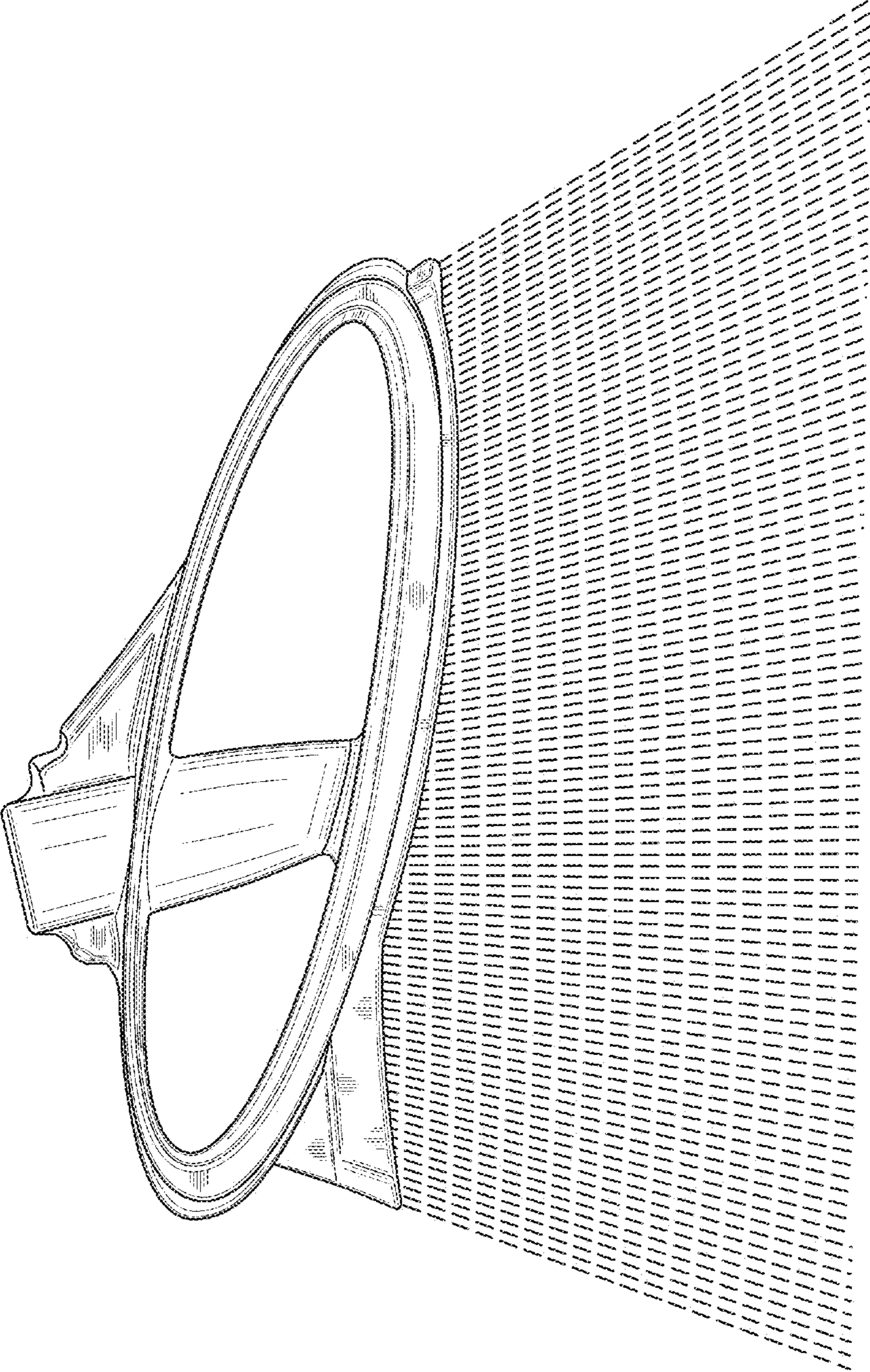
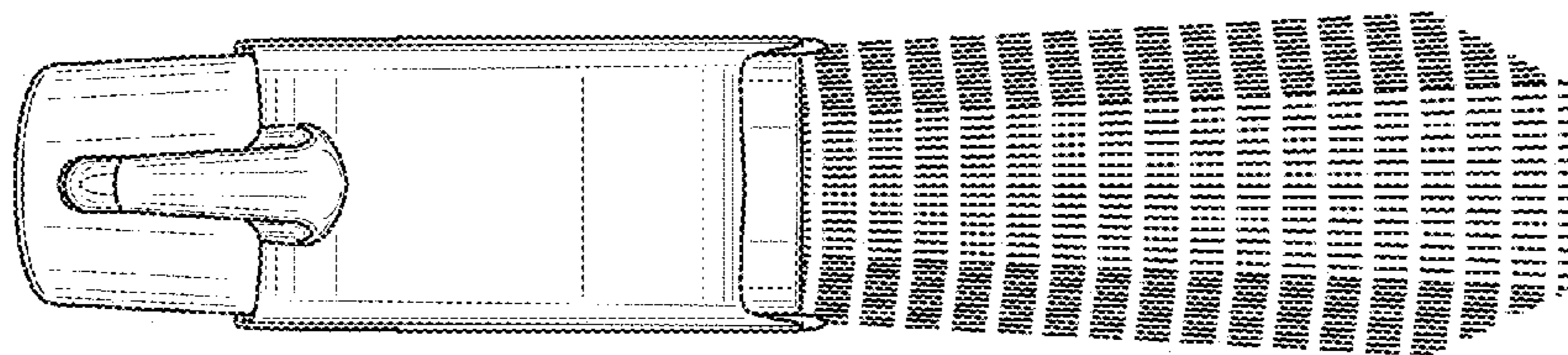


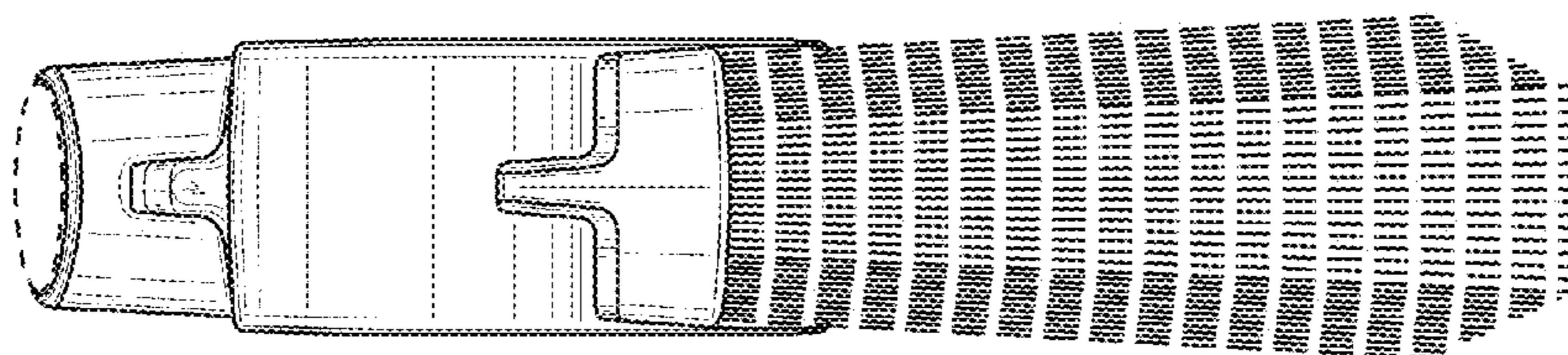
FIG. 2



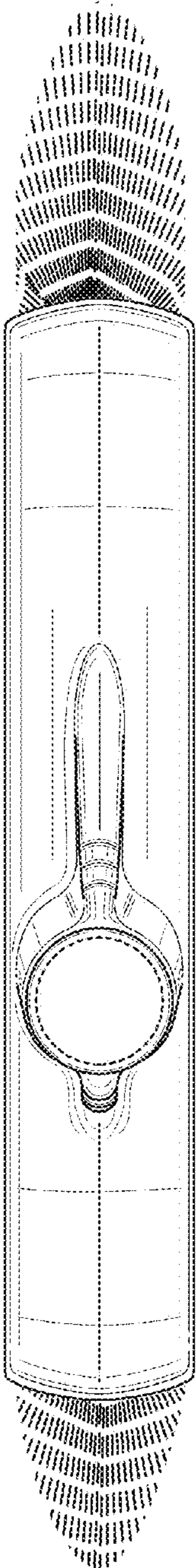
**FIG. 3**



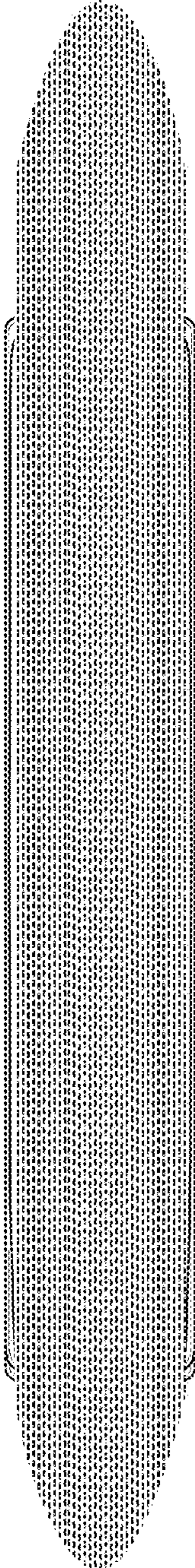
**FIG. 5**



**FIG. 4**



**FIG. 6**



**FIG. 7**