



US00D764129S

(12) **United States Design Patent**
Kindler

(10) **Patent No.:** **US D764,129 S**
(45) **Date of Patent:** **** Aug. 16, 2016**

(54) **FLOOR CLEANER**
(71) Applicant: **Carl Freudenberg KG**, Weinheim (DE)
(72) Inventor: **Simon Kindler**, Hamburg (DE)
(73) Assignee: **Carl Freudenberg KG**, Weinheim (DE)
(**) Term: **14 Years**

(21) Appl. No.: **29/507,180**
(22) Filed: **Oct. 24, 2014**

(30) **Foreign Application Priority Data**
Apr. 24, 2014 (EM) 002451955-0001
(51) **LOC (10) Cl.** **04-01**
(52) **U.S. Cl.**
USPC **D32/45**
(58) **Field of Classification Search**
USPC D32/35, 40, 49-53, 71-72
CPC A47L 13/12; A47L 13/16; A47L 13/20;
A47L 13/24; A47L 13/144; A47L 13/146;
B24D 13/045; B25B 23/16
See application file for complete search history.

(56) **References Cited**
U.S. PATENT DOCUMENTS

1,685,731 A * 9/1928 Trevena A47L 13/22
401/172
1,689,939 A * 10/1928 Welling A47L 13/255
15/229.6
1,692,987 A * 11/1928 Hill A47L 13/252
15/144.1
1,708,052 A * 4/1929 Channell A47L 13/255
15/143.1
1,730,369 A * 10/1929 Janisch A47L 13/255
15/154.2
1,940,543 A * 12/1933 Hertzberg A47L 13/20
15/229.7
1,950,674 A * 3/1934 Hertzberg A47L 13/255
15/229.7

3,319,278 A * 5/1967 Frazer A47L 11/32
15/374
D414,342 S * 9/1999 Ancona D4/119
D428,226 S * 7/2000 Kunkler D32/45
D497,699 S * 10/2004 Chi-Hsiang D32/45

(Continued)

FOREIGN PATENT DOCUMENTS

CN 300940230 * 6/2009

OTHER PUBLICATIONS

Amazon.com—O-Cedar Microfiber Steam Mop, online, review date
Sep. 2015, http://www.amazon.com/O-Cedar-149437-Microfiber-Steam-Mop/dp/B00US9PSKU/ref=cm_cr_arp_d_product_top?ie=UTF8, [site visited Mar. 28, 2016 6:40:09 PM.*

(Continued)

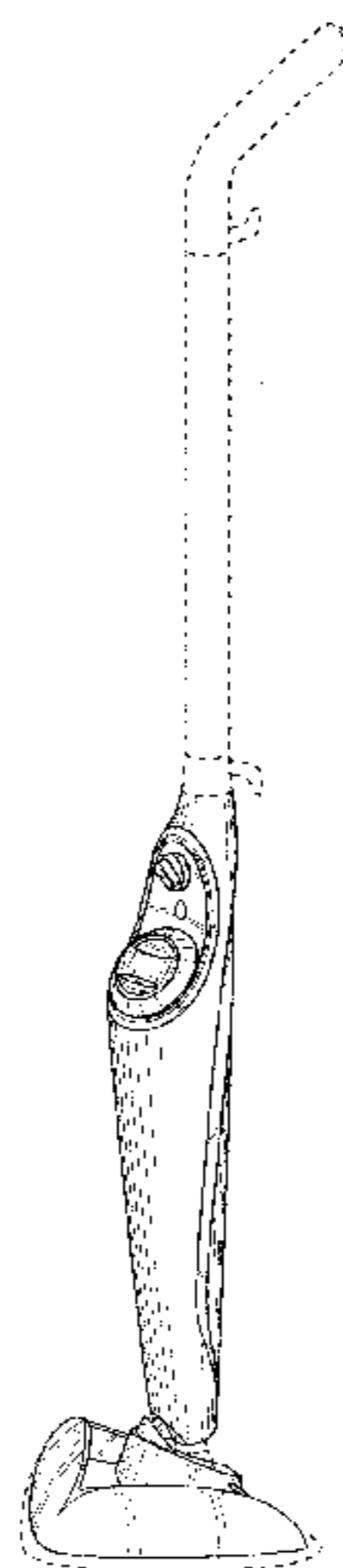
Primary Examiner — John Windmuller
Assistant Examiner — John R Yeh
(74) *Attorney, Agent, or Firm* — Leydig, Voit & Mayer, Ltd.

(57) **CLAIM**
The ornamental design for a floor cleaner, as shown and described.

DESCRIPTION

FIG. 1 is a perspective view taken from the front, top, and right side of a floor cleaner in accordance with my new design.
FIG. 2 is a right side elevational view of the floor cleaner of FIG. 1.
FIG. 3 is a left side elevational view of the floor cleaner of FIG. 1.
FIG. 4 is a front view of the floor cleaner of FIG. 1.
FIG. 5 is a rear view of the floor cleaner of FIG. 1.
FIG. 6 is a top view of the floor cleaner of FIG. 1; and, FIG. 7 is a bottom view of the floor cleaner of FIG. 1.
The broken lines shown represent unclaimed subject matter and form no part of the claimed design.

1 Claim, 4 Drawing Sheets



(56)

References Cited

U.S. PATENT DOCUMENTS

7,540,056 B2 * 6/2009 Dotterman A47L 13/24
15/147.2
D631,217 S * 1/2011 Lavy D32/45
D647,677 S * 10/2011 Dammkoehler D32/51
D657,518 S * 4/2012 McGee D32/45
D661,034 S * 5/2012 Ediger D32/45
D673,748 S * 1/2013 Snyder D32/45
D685,557 S * 7/2013 Rosenzweig D32/45
D685,558 S * 7/2013 deBlois D32/17
D685,966 S * 7/2013 Houghton D32/45
D688,431 S * 8/2013 Luedke D32/32
D721,462 S * 1/2015 Muhl D32/50
2004/0071490 A1 * 4/2004 Vosbikian A47L 13/12
401/49
2010/0050367 A1 * 3/2010 Tsai A47L 13/225
15/320
2013/0167319 A1 * 7/2013 Tang A47L 13/225
15/320

2015/0113756 A1 * 4/2015 Carter A47L 11/34
15/320

OTHER PUBLICATIONS

Amazon.com—Reliable Steamboy 200CU Steam Floor Mop, online, review date Sep. 17, 2015, http://www.amazon.com/Reliable-Steamboy-200CU-Steam-Floor/dp/B00UY3WFCY/ref=cm_cr_ar_p_d_product_top?ie=UTF8, [site visited Mar. 28, 2016 9:50:31 PM].*

Amazon.com—VonHaus 10 in 1 Upright and Handheld Steam Mop Cleaner, online, review date Sep. 12, 2015, http://www.amazon.com/...ght-Handheld-Cleaner-Microfiber/dp/B0119M0LE2/ref=sr_1_50?s=vacuums&ie=UTF8&qid=1459205332&sr=1-50-spons&keywords=shark+steam+mop&psc=1, [site visited Mar. 28, 2016 6:58:20 PM].*

* cited by examiner

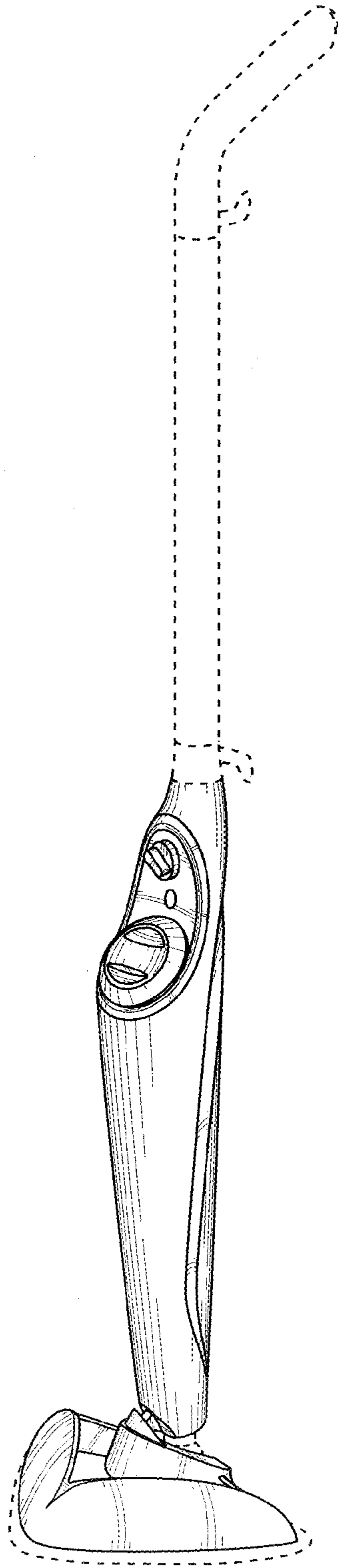


FIG. 1

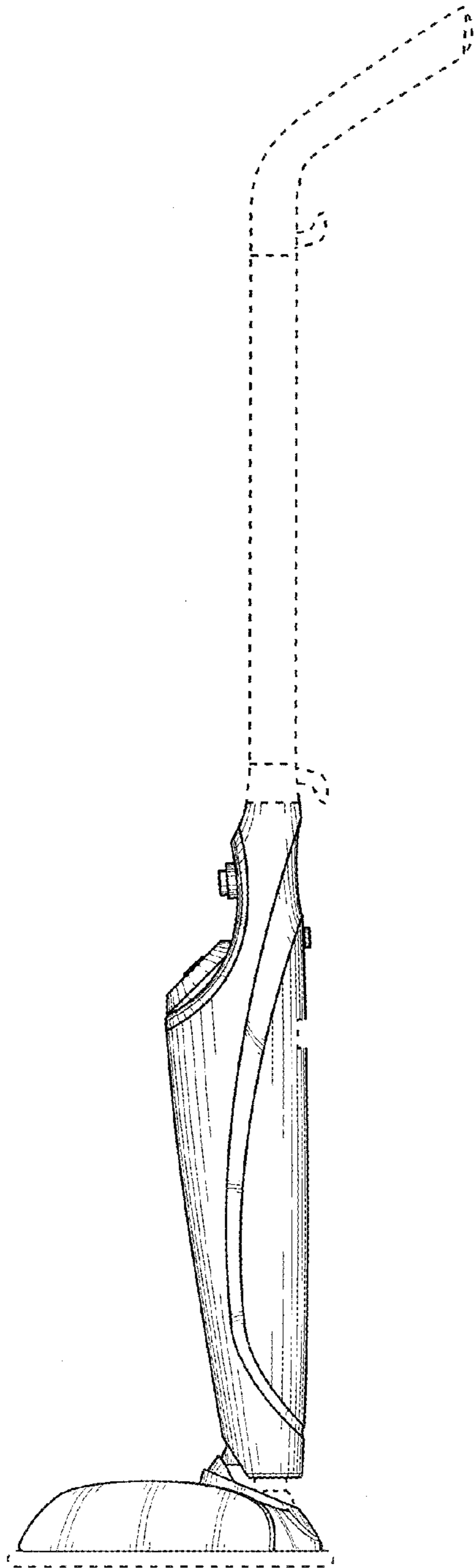


FIG. 2

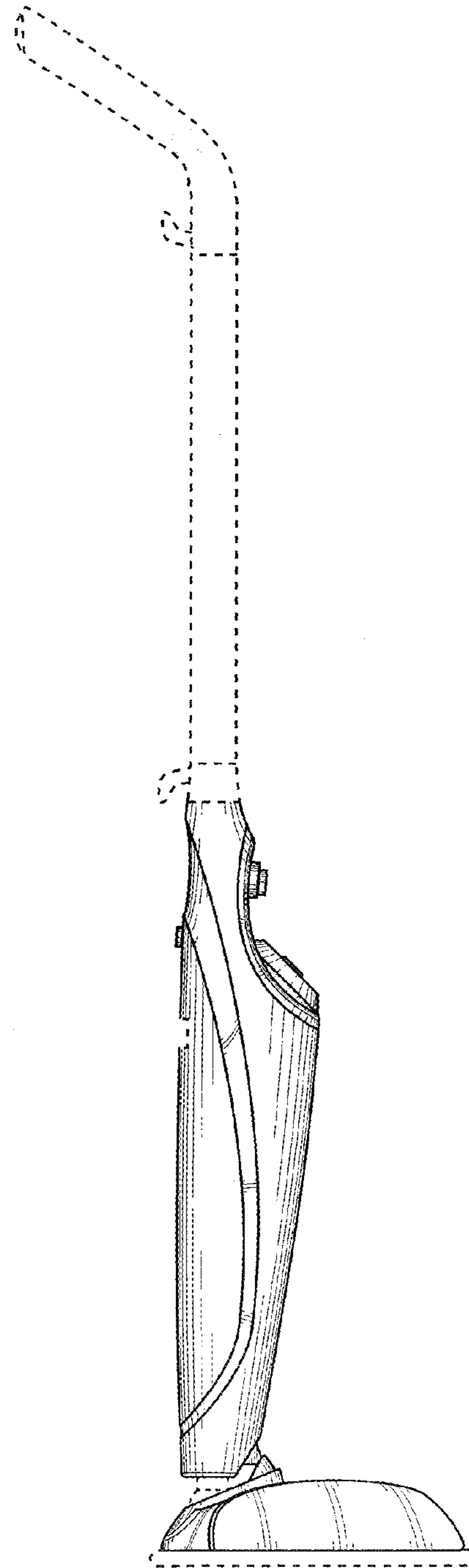


FIG. 3

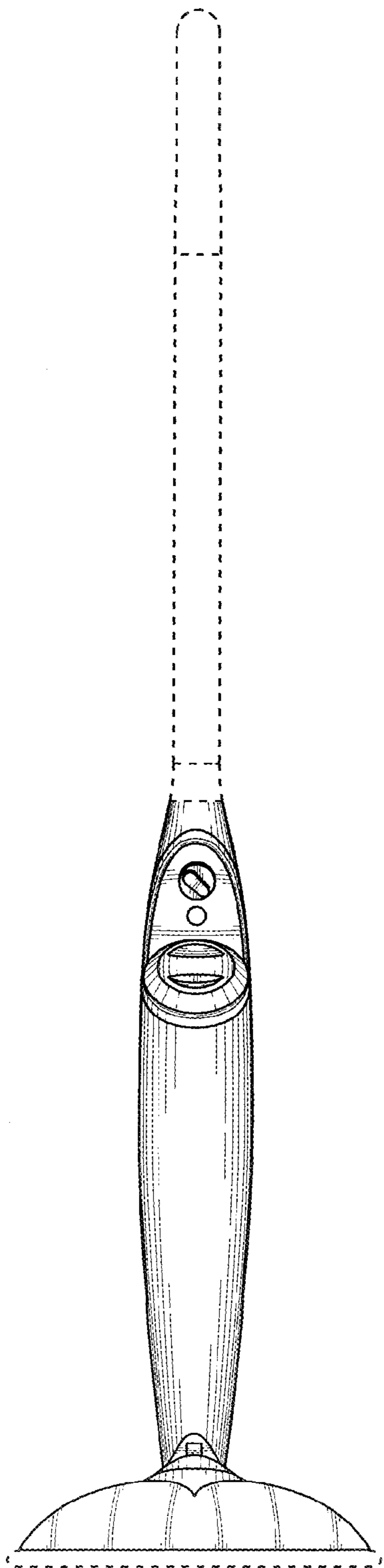


FIG. 4

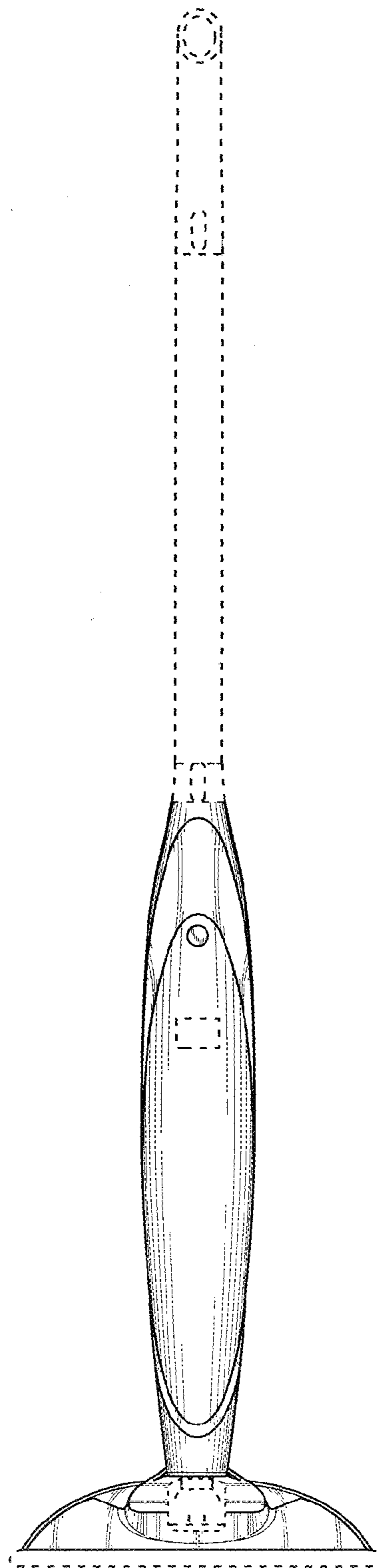


FIG. 5

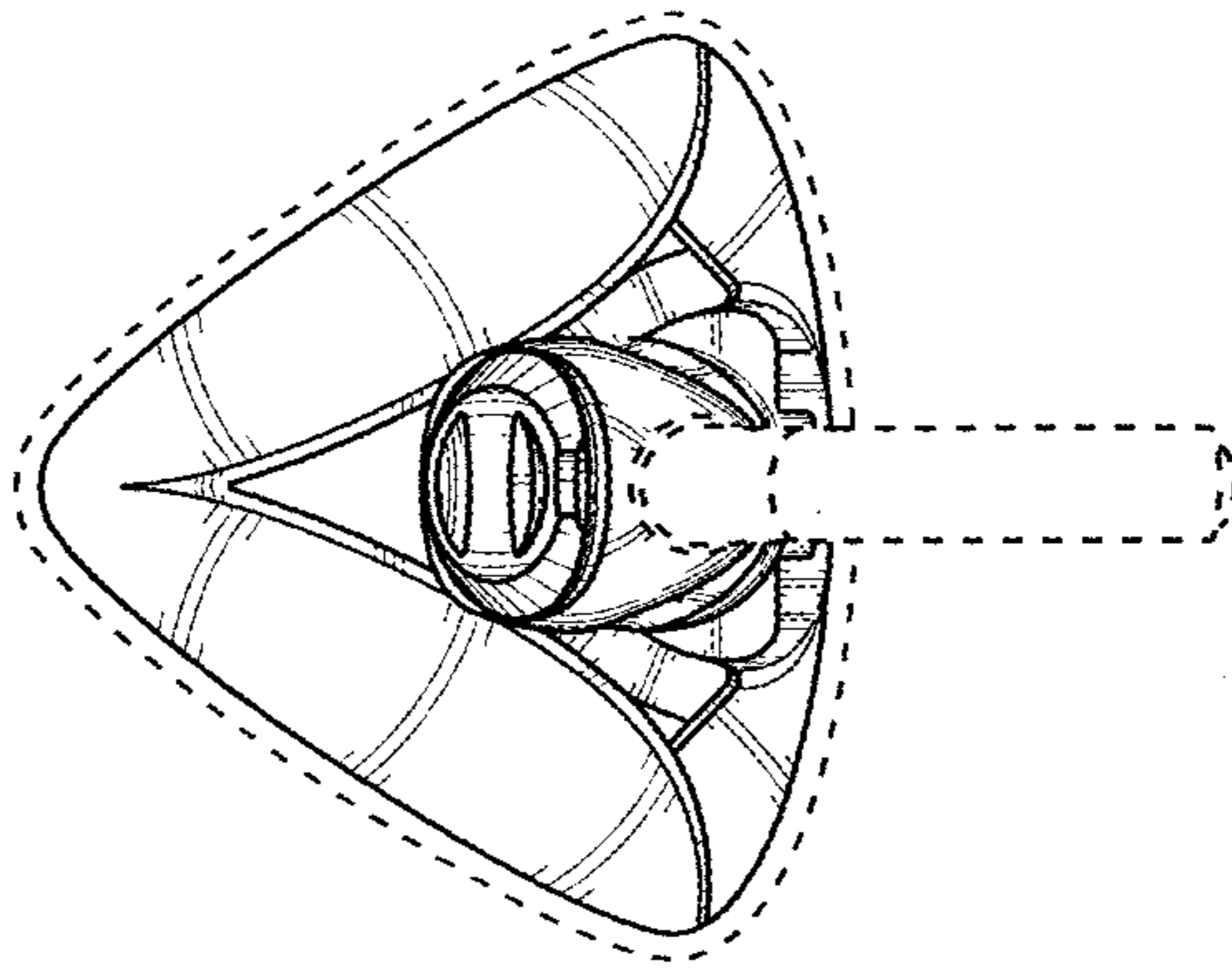


FIG. 6

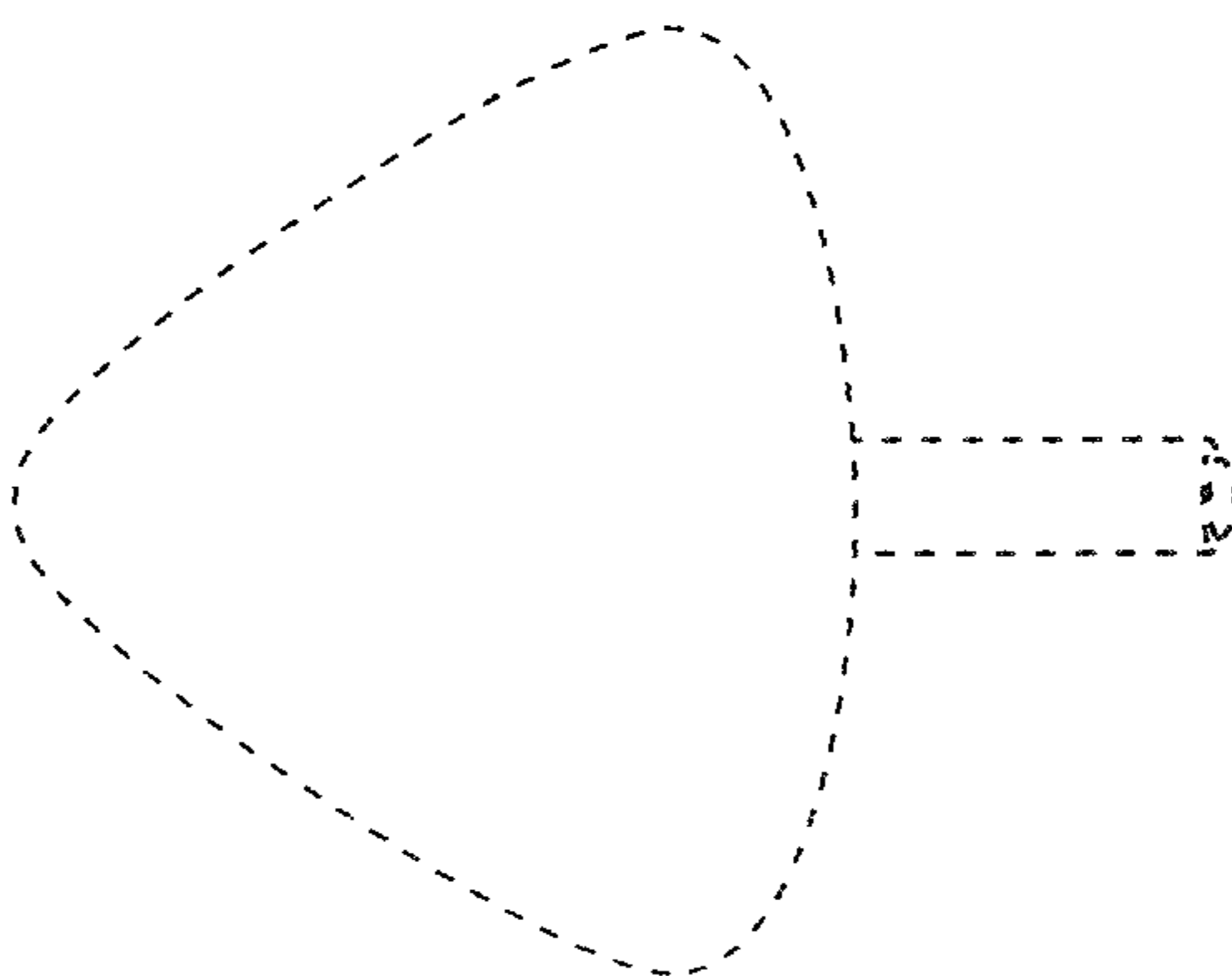


FIG. 7