



US00D764128S

(12) **United States Design Patent**  
**Kindler**

(10) **Patent No.:** **US D764,128 S**

(45) **Date of Patent:** **\*\* Aug. 16, 2016**

(54) **FLOOR CLEANER**

(71) Applicant: **Carl Freudenberg KG**, Weinheim (DE)

(72) Inventor: **Simon Kindler**, Hamburg (DE)

(73) Assignee: **Carl Freudenberg KG**, Weinheim (DE)

(\*\*) Term: **14 Years**

(21) Appl. No.: **29/506,630**

(22) Filed: **Oct. 17, 2014**

(30) **Foreign Application Priority Data**

Apr. 17, 2014 (EM) ..... 002448985-0001

(51) **LOC (10) Cl.** ..... **04-01**

(52) **U.S. Cl.**  
USPC ..... **D32/45**

(58) **Field of Classification Search**  
USPC ..... D32/35, 40, 49-53, 71-72  
CPC ..... A47L 13/12; A47L 13/16; A47L 13/20;  
A47L 13/24; A47L 13/144; A47L 13/146;  
B24D 13/045; B25B 23/16  
See application file for complete search history.

(56) **References Cited**

**U.S. PATENT DOCUMENTS**

- 1,685,731 A \* 9/1928 Trevena ..... A47L 13/22  
401/172
- 1,689,939 A \* 10/1928 Welling ..... A47L 13/255  
15/229.6
- 1,692,987 A \* 11/1928 Hill ..... A47L 13/252  
15/144.1
- 1,708,052 A \* 4/1929 Channell ..... A47L 13/255  
15/143.1
- 1,730,369 A \* 10/1929 Janisch ..... A47L 13/255  
15/154.2
- 1,940,543 A \* 12/1933 Hertzberg ..... A47L 13/20  
15/229.7
- 1,950,674 A \* 3/1934 Hertzberg ..... A47L 13/255  
15/229.7
- 3,319,278 A \* 5/1967 Frazer ..... A47L 11/32  
15/374

- D414,342 S \* 9/1999 Ancona ..... D4/119
- D428,226 S \* 7/2000 Kunkler ..... D32/45
- D497,699 S \* 10/2004 Chi-Hsiang ..... D32/45
- 7,540,056 B2 \* 6/2009 Dotterman ..... A47L 13/24  
15/147.2
- D631,217 S \* 1/2011 Lavy ..... D32/45

(Continued)

**FOREIGN PATENT DOCUMENTS**

CN 300940230 \* 6/2009

**OTHER PUBLICATIONS**

Amazon.com—O-Cedar Microfiber Steam Mop, online, review date Sep. 2015, [http://www.amazon.com/O-Cedar-149437-Microfiber-Steam-Mop/dp/B00US9PSKU/ref=cm\\_cr\\_ar\\_p\\_d\\_product\\_top?ie=UTF8](http://www.amazon.com/O-Cedar-149437-Microfiber-Steam-Mop/dp/B00US9PSKU/ref=cm_cr_ar_p_d_product_top?ie=UTF8), [site visited Mar. 28, 2016 6:40:09 PM].\*

(Continued)

*Primary Examiner* — John Windmuller

*Assistant Examiner* — John R Yeh

(74) *Attorney, Agent, or Firm* — Leydig, Voit & Mayer, Ltd.

(57) **CLAIM**

The ornamental design for a floor cleaner, as shown and described.

**DESCRIPTION**

FIG. 1 is a perspective view taken from the front, top, and right side of a floor cleaner in accordance with my new design.

FIG. 2 is a right side elevational view of the floor cleaner of FIG. 1.

FIG. 3 is a front view of the floor cleaner of FIG. 1.

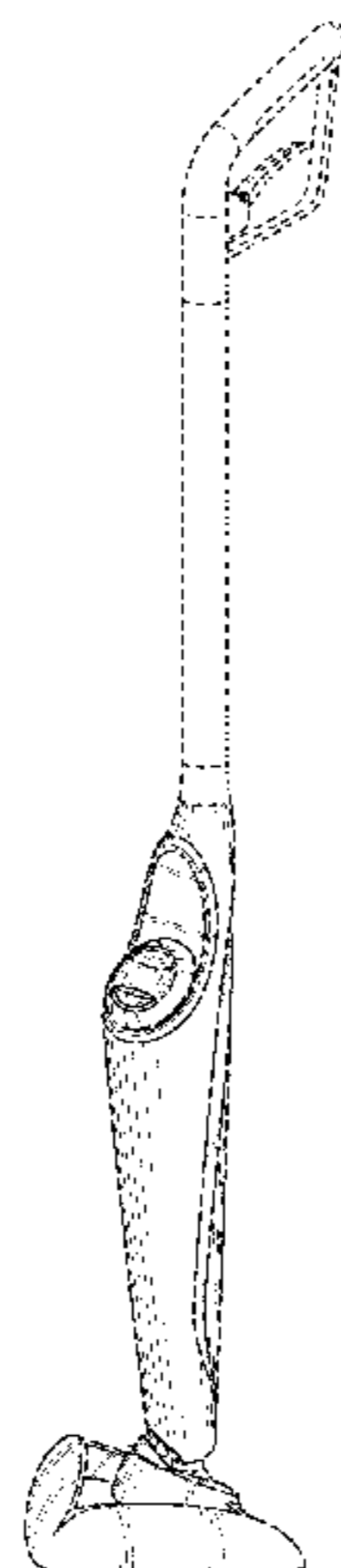
FIG. 4 is a rear view of the floor cleaner of FIG. 1.

FIG. 5 is a top view of the floor cleaner of FIG. 1; and,

FIG. 6 is a bottom view of the floor cleaner of FIG. 1.

The broken lines shown represent unclaimed subject matter and form no part of the claimed design.

**1 Claim, 4 Drawing Sheets**



(56)

References Cited

U.S. PATENT DOCUMENTS

D647,677	S *	10/2011	Dammkoehler	.....	D32/51
D657,518	S *	4/2012	McGee	.....	D32/45
D661,034	S *	5/2012	Ediger	.....	D32/45
D673,748	S *	1/2013	Snyder	.....	D32/45
D685,557	S *	7/2013	Rosenzweig	.....	D32/45
D685,558	S *	7/2013	deBlois	.....	D32/17
D685,966	S *	7/2013	Houghton	.....	D32/45
D688,431	S *	8/2013	Luedke	.....	D32/32
D721,462	S *	1/2015	Muhl	.....	D32/50
2004/0071490	A1 *	4/2004	Vosbikian	.....	A47L 13/12 401/49
2010/0050367	A1 *	3/2010	Tsai	.....	A47L 13/225 15/320
2013/0167319	A1 *	7/2013	Tang	.....	A47L 13/225 15/320
2015/0113756	A1 *	4/2015	Carter	.....	A47L 11/34 15/320

OTHER PUBLICATIONS

Amazon.com—Reliable Steamboy 200CU Steam Floor Mop, online, review date Sep. 17, 2015, [http://www.amazon.com/Reliable-Steamboy-200CU-Steam-Floor/dp/B00UY3WFCY/ref=cm\\_cr\\_arp\\_d\\_product\\_top?ie=UTF8](http://www.amazon.com/Reliable-Steamboy-200CU-Steam-Floor/dp/B00UY3WFCY/ref=cm_cr_arp_d_product_top?ie=UTF8), [site visited Mar. 28, 2016 9:50:31 PM].\*

Amazon.com—VonHaus 10 in 1 Upright and Handheld Steam Mop Cleaner, online, review date Sep. 12, 2015, [http://www.amazon.com/...ght-Handheld-Cleaner-Microfiber/dp/B0119M0LE2/ref=sr\\_1\\_50?s=vacuums&ie=UTF8&qid=1459205332&sr=1-50-spons&keywords=shark+steam+mop&psc=1](http://www.amazon.com/...ght-Handheld-Cleaner-Microfiber/dp/B0119M0LE2/ref=sr_1_50?s=vacuums&ie=UTF8&qid=1459205332&sr=1-50-spons&keywords=shark+steam+mop&psc=1), [site visited Mar. 28, 2016 6:58:20 PM].\*

\* cited by examiner

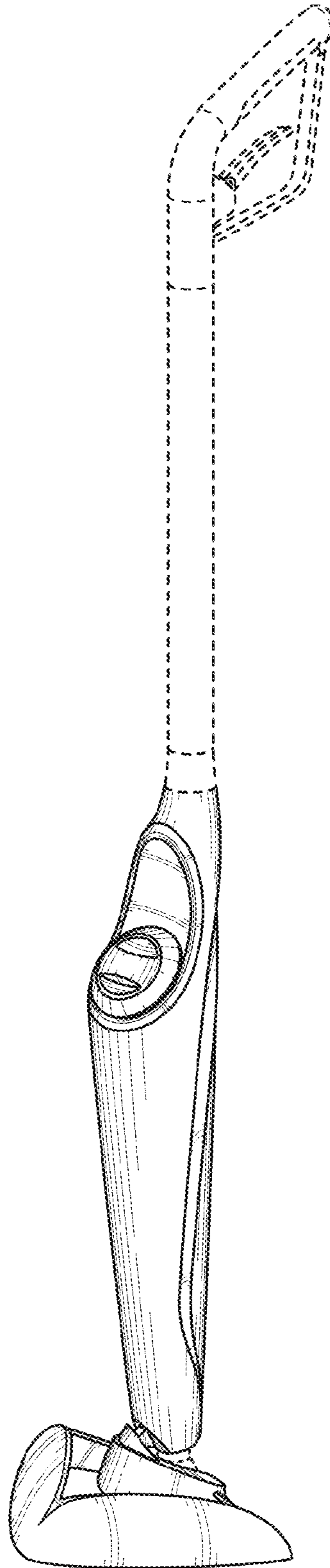


FIG. 1

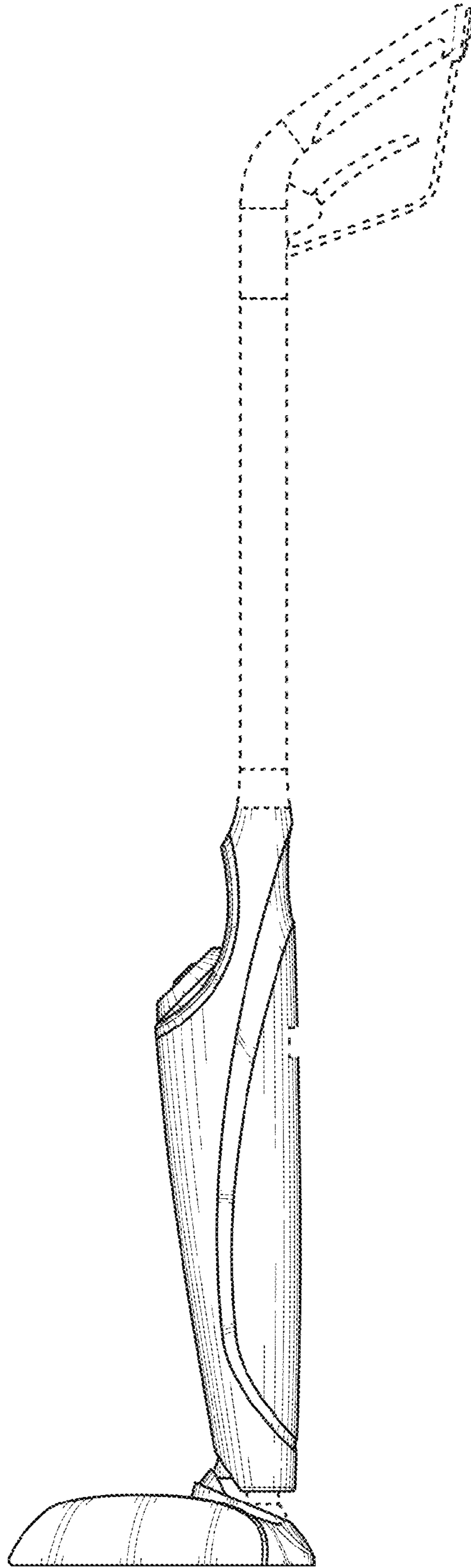


FIG. 2

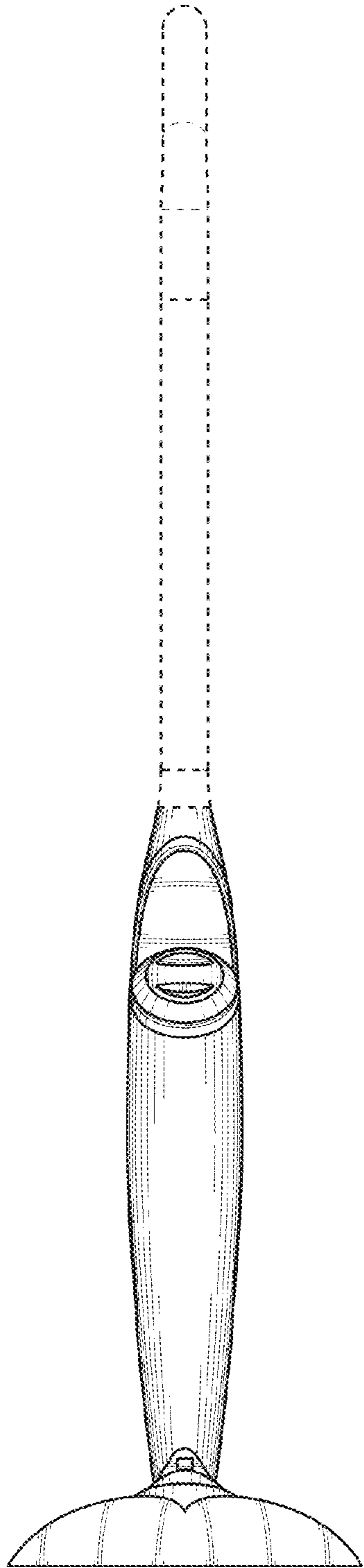


FIG. 3

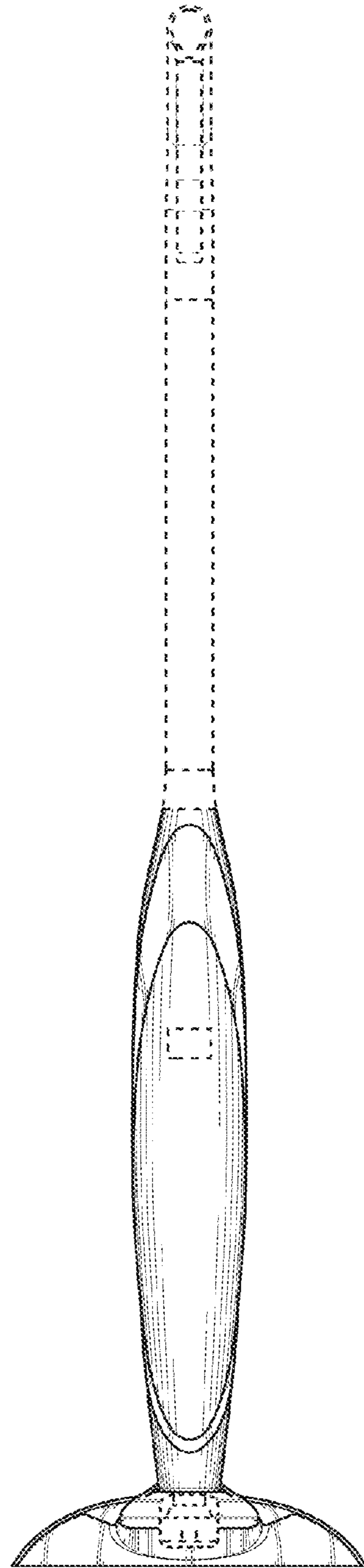


FIG. 4

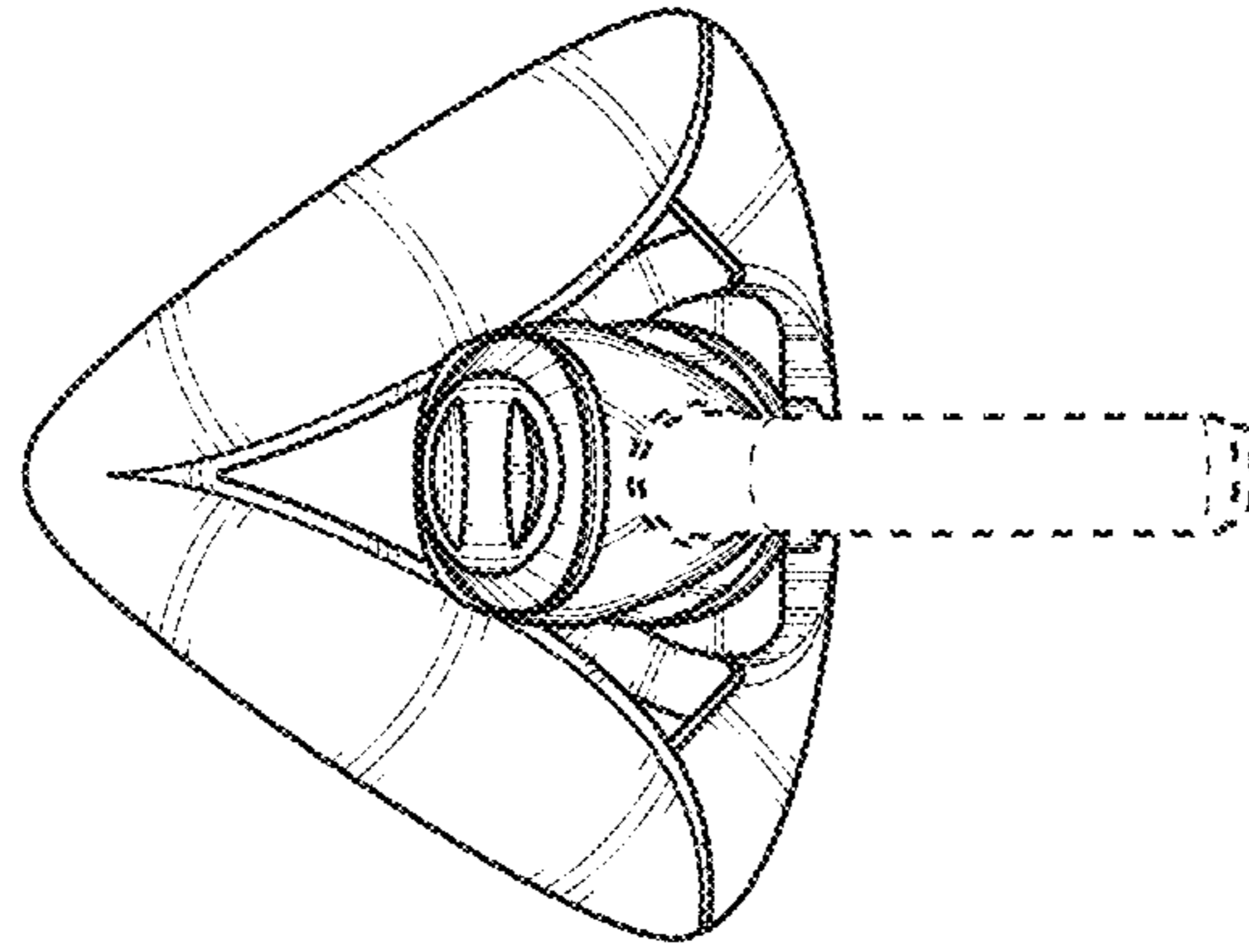


FIG. 5

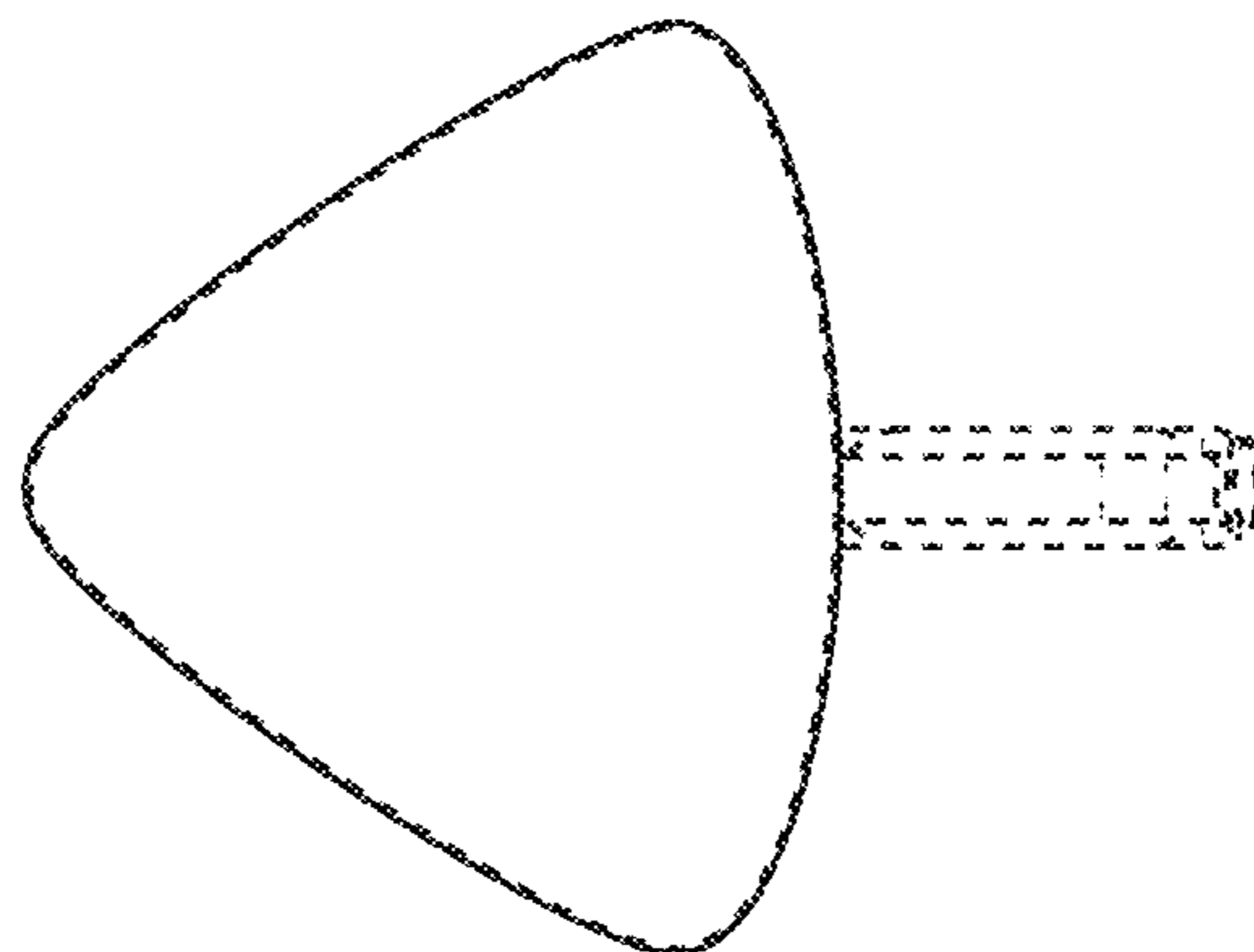


FIG. 6