



US00D764127S

(12) **United States Design Patent**  
**Vicari et al.**

(10) **Patent No.:** **US D764,127 S**

(45) **Date of Patent:** **\*\* Aug. 16, 2016**

(54) **SQUEEGEE**

(71) Applicants: **Joern Vicari**, Brooklyn, NY (US);  
**Mason Adam Umholtz**, Brooklyn, NY  
(US); **Lingxiu Wu**, Brooklyn, NY (US);  
**Cindy Godin**, New York, NY (US)

(72) Inventors: **Joern Vicari**, Brooklyn, NY (US);  
**Mason Adam Umholtz**, Brooklyn, NY  
(US); **Lingxiu Wu**, Brooklyn, NY (US);  
**Cindy Godin**, New York, NY (US)

(73) Assignee: **HELEN OF TROY LIMITED**, St.  
Michael (BB)

(\*\*) Term: **14 Years**

(21) Appl. No.: **29/526,488**

(22) Filed: **May 9, 2015**

(51) **LOC (10) CL.** ..... **04-01**

(52) **U.S. CL.**  
USPC ..... **D32/41**

(58) **Field of Classification Search**  
USPC ..... D32/40-42, 46-49; D8/33, 47, 90, 93;  
D4/118, 199; D24/146-147  
CPC ..... A47L 1/06; A47L 13/24  
See application file for complete search history.

(56) **References Cited**

**U.S. PATENT DOCUMENTS**

D32,484 S *	4/1900	Bowles	.....	D32/46
1,142,473 A *	6/1915	Worns	.....	A47L 13/08
				30/169
D117,388 S *	10/1939	Woinarovicz	.....	D32/46
D173,462 S *	11/1954	Schmoller	.....	D32/41
D214,977 S *	8/1969	Roth	.....	D4/137
3,676,888 A *	7/1972	Akers	.....	B44D 3/105
				15/144.1
D233,586 S *	11/1974	Kopp	.....	D32/46
D241,603 S *	9/1976	MacNeil	.....	D32/46

5,321,868 A *	6/1994	Coulson	.....	B41F 15/02
				101/114
D352,432 S *	11/1994	Monroe	.....	D32/41
D368,344 S *	3/1996	Hansen	.....	D32/41
D369,886 S *	5/1996	McCollum	.....	D32/46
D383,267 S *	9/1997	Emmerth	.....	D32/46
D388,569 S *	12/1997	Israel	.....	D32/35

(Continued)

**FOREIGN PATENT DOCUMENTS**

GB 2057984 \* 11/1996

**OTHER PUBLICATIONS**

Amazon.com: OXO Good Grips Compact Squeegee, online, review date Nov. 19, 2015, [http://www.amazon.com/OXO-Compact-Squeegee-Bathroom-Mirrors/dp/B016U961DO/ref=cm\\_cr\\_arp\\_d\\_product\\_top?ie=UTF8](http://www.amazon.com/OXO-Compact-Squeegee-Bathroom-Mirrors/dp/B016U961DO/ref=cm_cr_arp_d_product_top?ie=UTF8), [site visited Apr. 26, 2016 4:16:51 PM].\*

(Continued)

*Primary Examiner* — John Windmuller

*Assistant Examiner* — John R Yeh

(57) **CLAIM**

The ornamental design for a squeegee, as shown and described.

**DESCRIPTION**

FIG. 1 is a perspective view of the squeegee shown in a broken away configuration;

FIG. 2 is a rear view thereof;

FIG. 3 is a front view thereof;

FIG. 4 is a right side view thereof;

FIG. 5 is a left side view thereof;

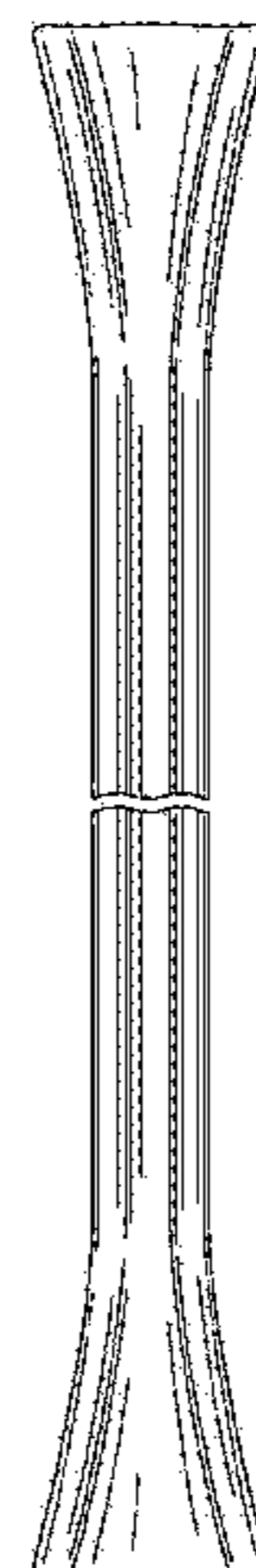
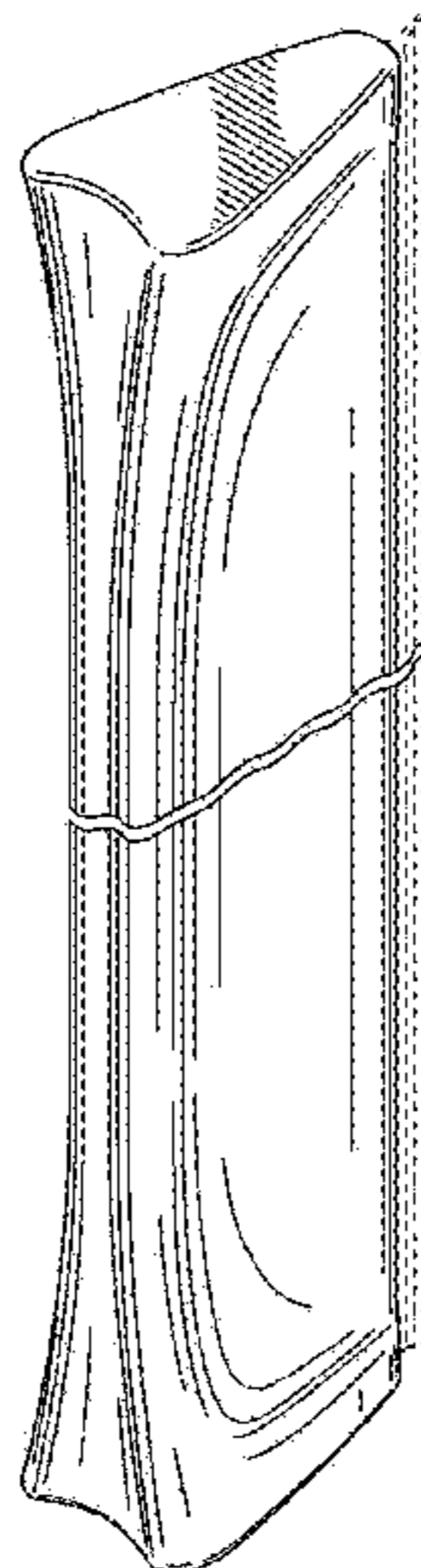
FIG. 6 is a top view thereof; and,

FIG. 7 is a bottom view thereof.

The broken lines represent portions of the squeegee that form no part of the claimed design.

The squeegee is shown broken away in the middle to indicate that it has no specific length other than what is shown.

**1 Claim, 7 Drawing Sheets**



(56)

References Cited

OTHER PUBLICATIONS

U.S. PATENT DOCUMENTS

D422,124 S \* 3/2000 Rimback ..... D32/41  
D426,758 S \* 6/2000 Mitchell ..... D32/46  
D450,412 S \* 11/2001 Hajduk ..... D32/41  
D532,741 S \* 11/2006 Lin ..... D12/220  
D548,907 S \* 8/2007 Killen ..... D32/41  
D557,333 S \* 12/2007 Giannola ..... D18/56  
D588,905 S \* 3/2009 Meeks ..... D8/400  
D592,370 S \* 5/2009 van Deursen ..... D32/46  
D664,318 S \* 7/2012 Thompson ..... D32/46  
D676,208 S \* 2/2013 Singleton ..... D32/40  
2005/0193516 A1 \* 9/2005 Hughes ..... A47L 13/08  
15/236.01

Amazon.com: Casabella 12" Silicone Squeegee, online, review date Apr. 7, 2016, [http://www.amazon.com/Casabella-Silicone-Squeegee-X-Large-Translucent/dp/B016AWLW0E/ref=sr\\_1\\_224?ie=UTF8&qid=1461702375&sr=8-224&keywords=squeegee](http://www.amazon.com/Casabella-Silicone-Squeegee-X-Large-Translucent/dp/B016AWLW0E/ref=sr_1_224?ie=UTF8&qid=1461702375&sr=8-224&keywords=squeegee), [site visited Apr. 26, 2016 4:27:56 PM].\*

Amazon.com: blomus 68686 Shower Squeegee, online, review date Dec. 8, 2014, [http://www.amazon.com/Blomus-68686-blomus-Shower-Squeegee/dp/B00AGBSWN0/ref=sr\\_1\\_239?ie=UTF8&qid=1461702525&sr=8-239&keywords=squeegee](http://www.amazon.com/Blomus-68686-blomus-Shower-Squeegee/dp/B00AGBSWN0/ref=sr_1_239?ie=UTF8&qid=1461702525&sr=8-239&keywords=squeegee), [site visited Apr. 26, 2016 4:30:02 PM].\*

\* cited by examiner

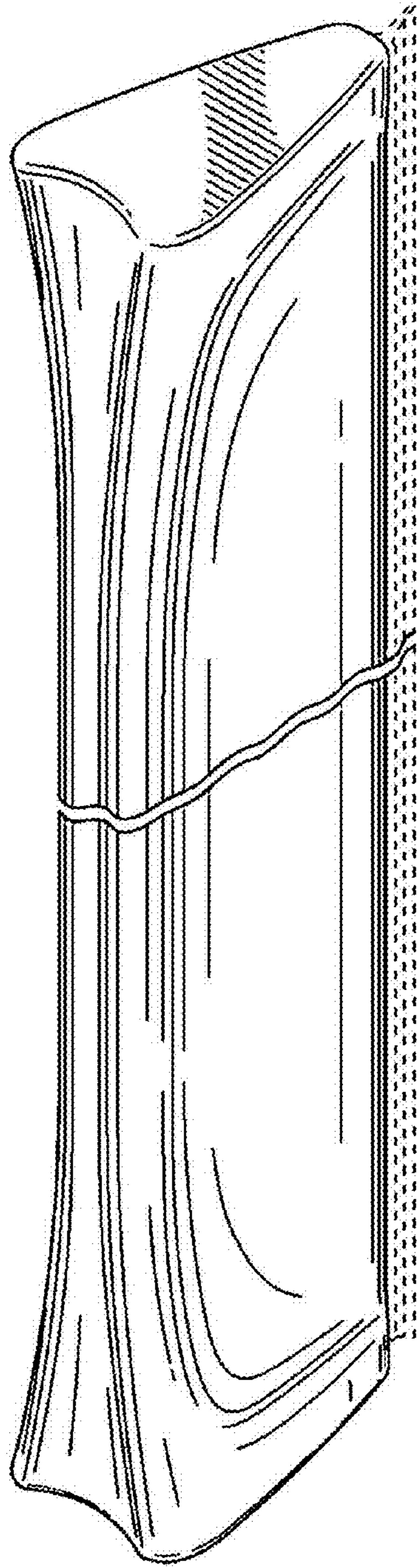


Figure 1

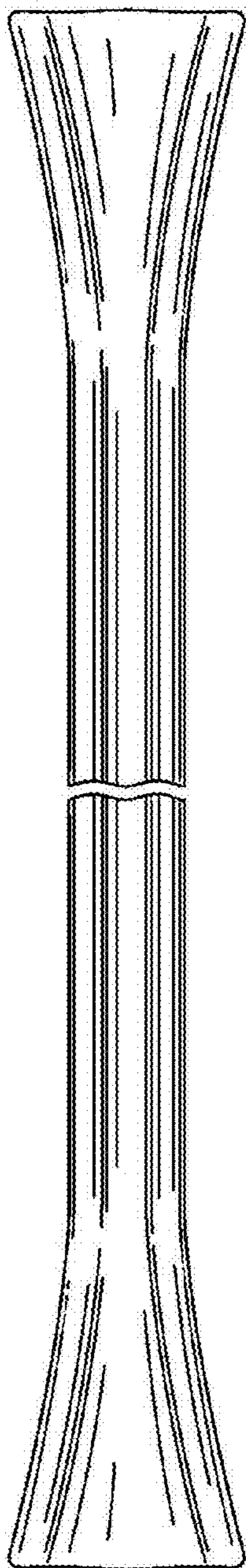


Figure 2

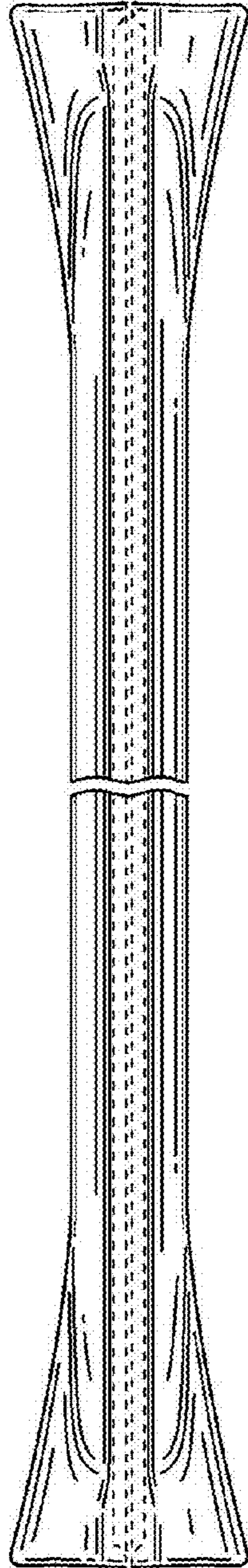


Figure 3

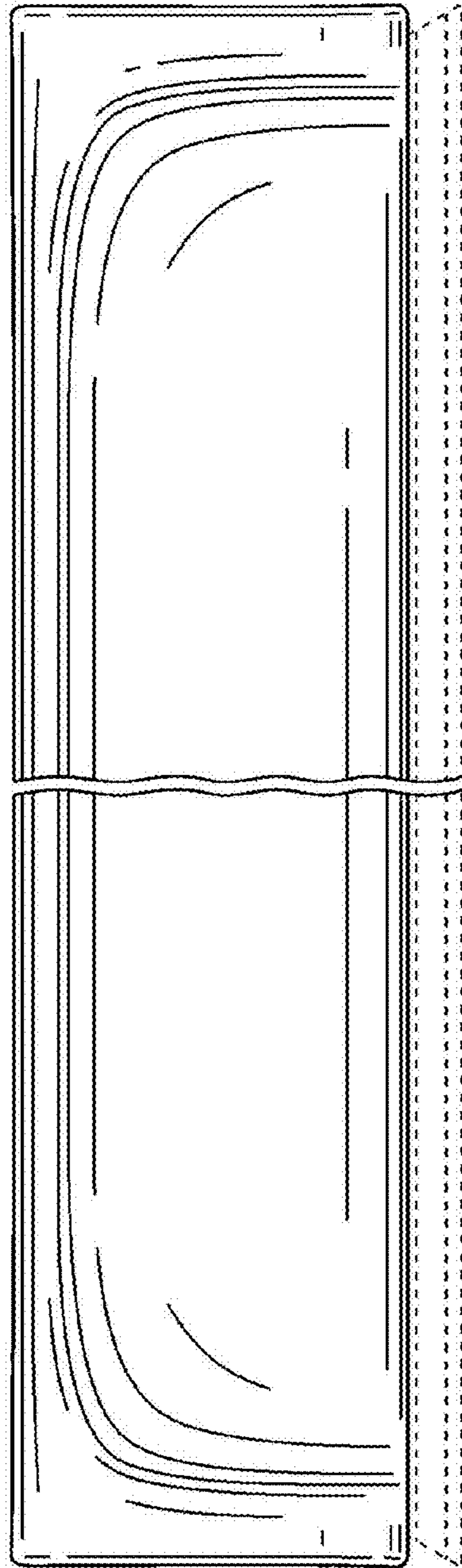


Figure 4

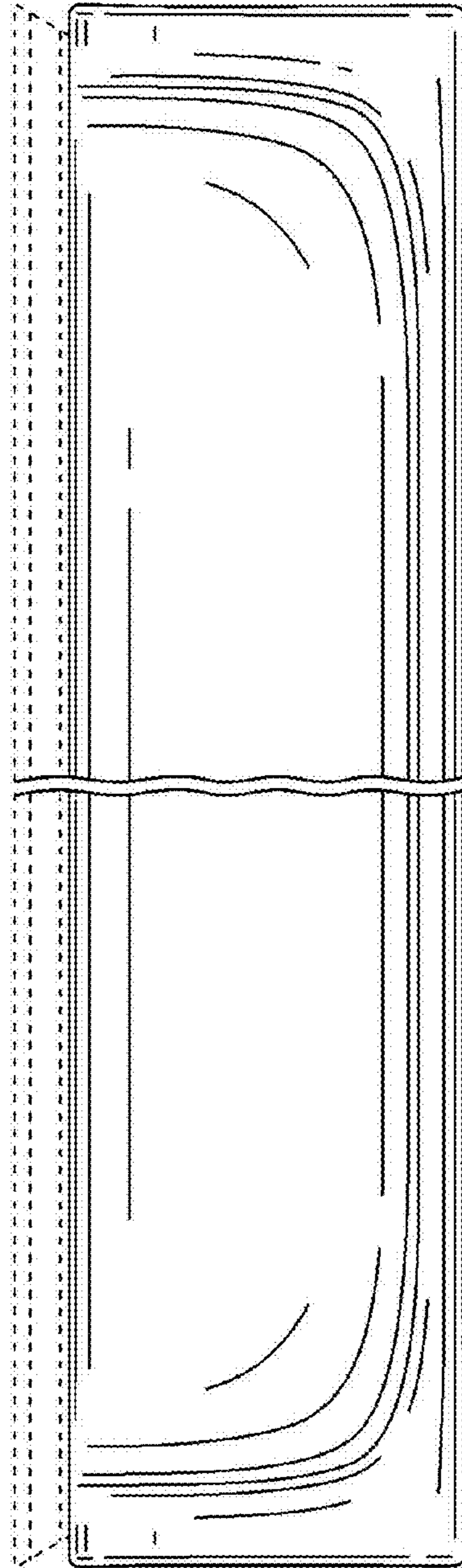


Figure 5

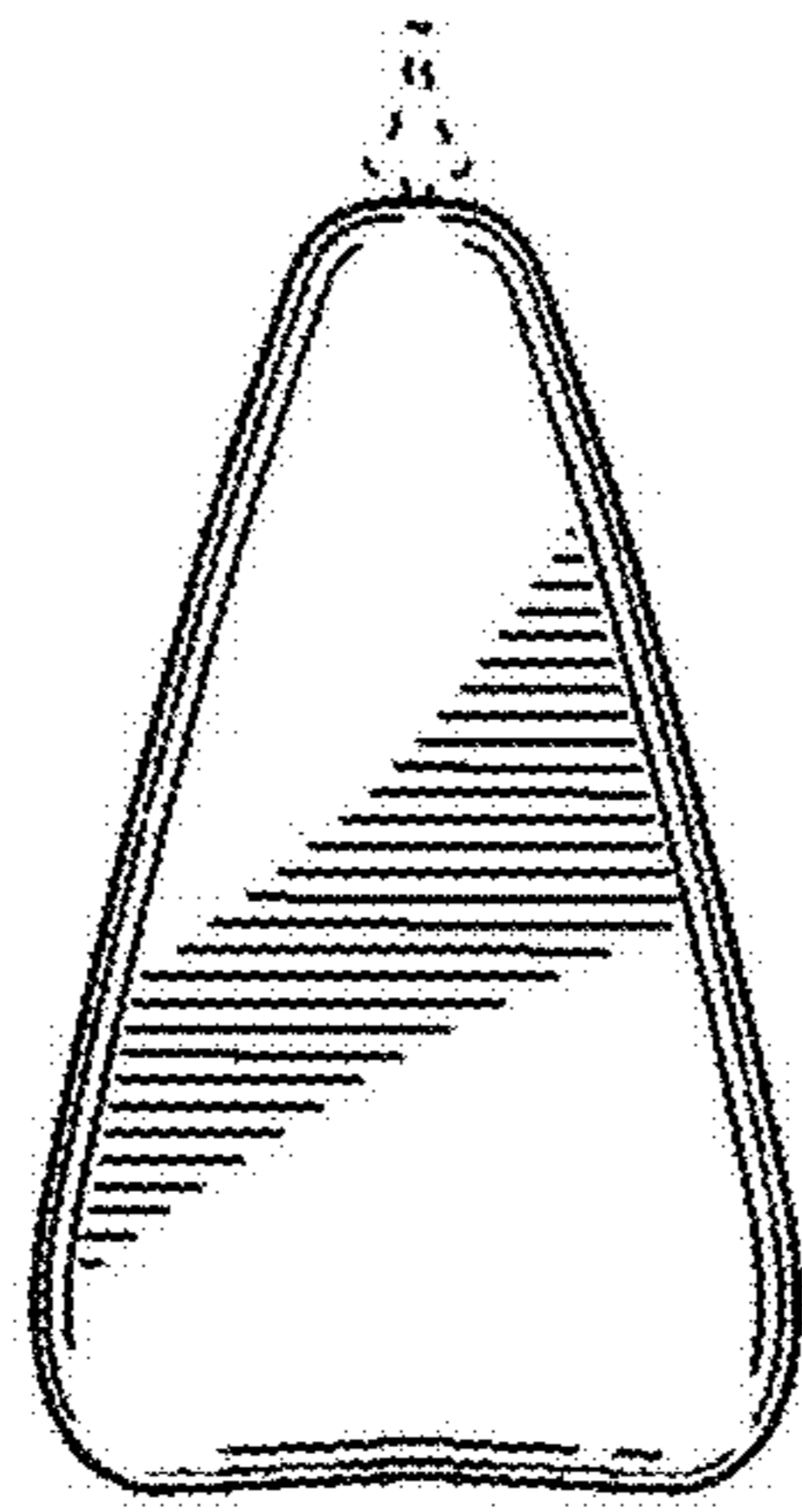


Figure 6



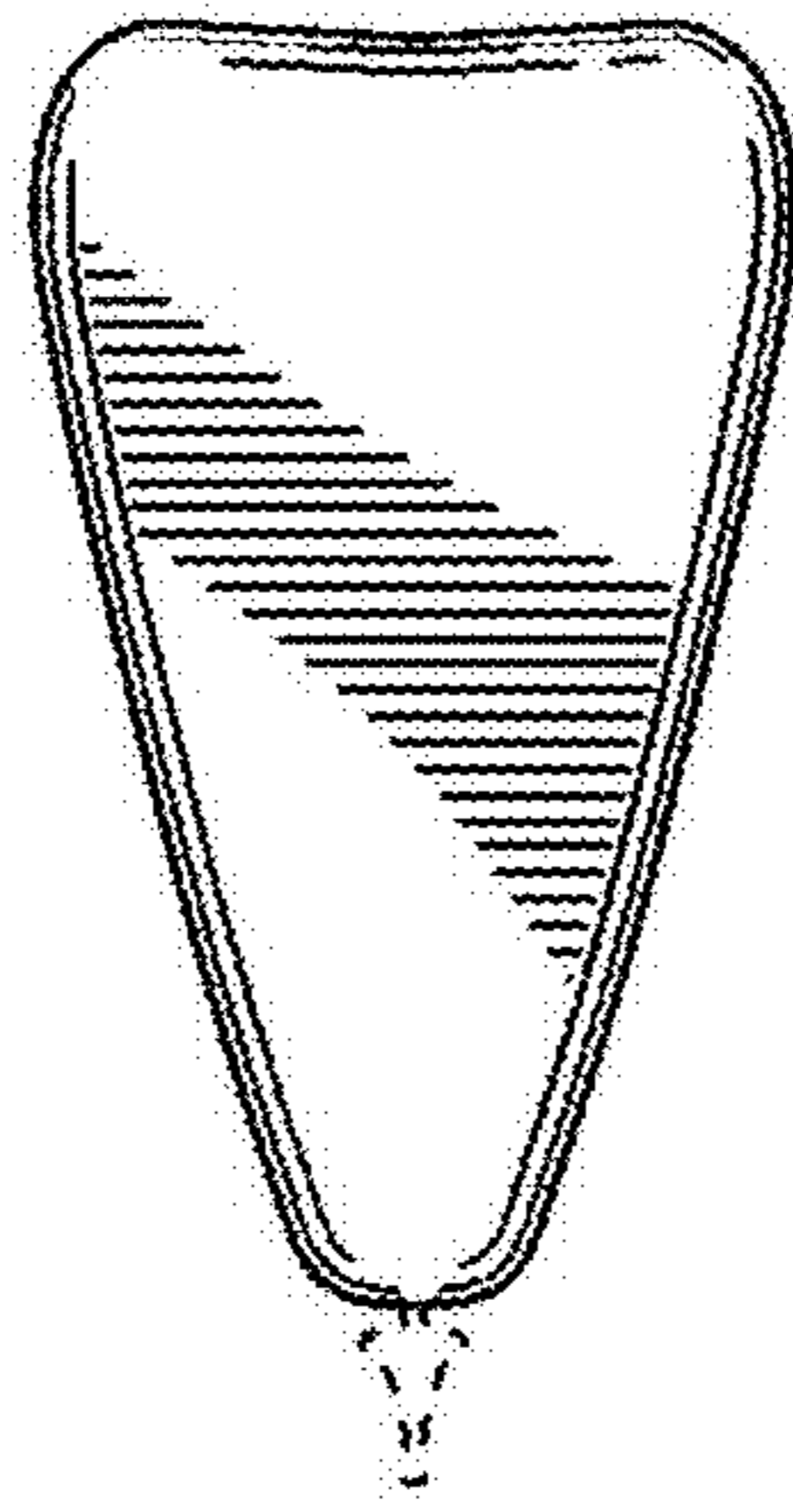


Figure 7