

US00D764125S

(12) **United States Design Patent**  
**Palladino et al.**

(10) **Patent No.:** **US D764,125 S**

(45) **Date of Patent:** **\*\* Aug. 16, 2016**

(54) **DUSTER**

(71) Applicant: **SharkNinja Operating LLC**, Newton (MA)

(72) Inventors: **Gary Palladino**, Somerville, MA (US); **Vasudev Komaragiri**, Westborough, MA (US); **Brett Andler**, Needham, MA (US); **Charlie Cai**, WuHan (CN)

(73) Assignee: **SharkNinja Operating LLC**, Newton, MA (US)

(\*\*) Term: **14 Years**

(21) Appl. No.: **29/495,332**

(22) Filed: **Jun. 30, 2014**

(51) **LOC (10) Cl.** ..... **15-05**

(52) **U.S. Cl.**  
USPC ..... **D32/33**

(58) **Field of Classification Search**  
USPC ..... D32/31-33, 40, 50, 25  
CPC ..... A47L 11/4044; A47L 9/02; A47L 13/12;  
A47L 13/20; A47L 1/08; A47K 7/02  
See application file for complete search history.

(56) **References Cited**

**U.S. PATENT DOCUMENTS**

D315,043 S	2/1991	Hayden	
D333,023 S	2/1993	Herron	
D334,447 S	3/1993	Rohn	
5,224,237 A	7/1993	Ambrosiano	
D359,148 S *	6/1995	Henrie	D32/33
D369,448 S *	4/1996	de Blois et al.	D32/33
5,584,095 A	12/1996	Redding et al.	
5,794,305 A	8/1998	Weger	
D400,325 S *	10/1998	Broecking	D32/33
6,055,703 A	5/2000	Redding et al.	
D431,335 S	9/2000	Mehaffey et al.	
D510,465 S	10/2005	Takahashi et al.	

D513,101 S *	12/2005	Allard et al.	D32/32
D519,696 S *	4/2006	Adams	D32/33
D520,201 S *	5/2006	Dyson et al.	D32/33
D526,102 S *	8/2006	Adams	D32/32
D543,325 S	5/2007	Burnham	
D565,261 S *	3/2008	Peace	D32/33
D565,266 S	3/2008	Crevling et al.	

(Continued)

**OTHER PUBLICATIONS**

Chinese Patent Application No. 201430561404.9 filed Dec. 30, 2014.  
(Continued)

*Primary Examiner* — Ruth McInroy

(74) *Attorney, Agent, or Firm* — Grossman Tucker Perreault & Pfleger, PLLC

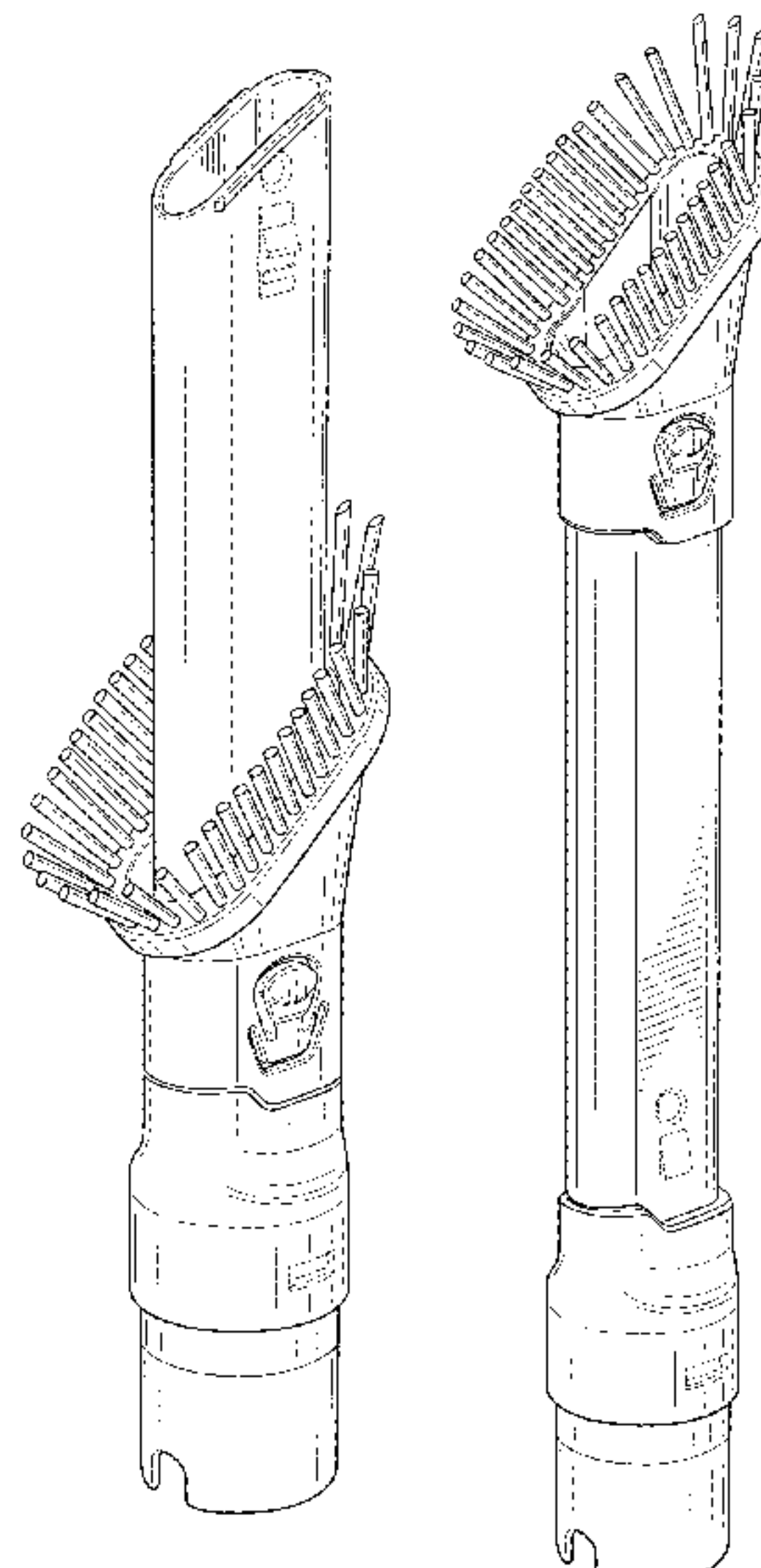
(57) **CLAIM**

The ornamental design for a duster, as shown and described.

**DESCRIPTION**

FIG. 1 is a perspective view of a duster showing our new design;  
FIG. 2 is a front view thereof;  
FIG. 3 is a rear view thereof;  
FIG. 4 is a right side view thereof;  
FIG. 5 is a left side view thereof;  
FIG. 6 is a top view thereof;  
FIG. 7 is a bottom view thereof;  
FIG. 8 is a perspective view thereof in an alternate position;  
FIG. 9 is a front view of FIG. 8;  
FIG. 10 is a rear view of FIG. 8;  
FIG. 11 is a right side view of FIG. 8;  
FIG. 12 is a left side view of FIG. 8;  
FIG. 13 is a top view of FIG. 8; and,  
FIG. 14 is a bottom view of FIG. 8.  
The dashed lines are for illustrative purposes and form no part of the claimed design.

**1 Claim, 12 Drawing Sheets**



(56)

References Cited

U.S. PATENT DOCUMENTS

D573,759 S 7/2008 Konno et al.  
 D580,116 S 11/2008 Santiago et al.  
 D587,870 S 3/2009 Baek et al.  
 7,503,098 B2 3/2009 Stein  
 D590,111 S \* 4/2009 Wiljanen et al. .... D32/32  
 7,581,284 B2 9/2009 Courtney  
 7,581,285 B2 9/2009 Courtney  
 7,600,292 B2 10/2009 Courtney  
 D603,570 S \* 11/2009 Svantesson et al. .... D32/32  
 7,610,653 B2 11/2009 Courtney  
 D608,064 S 1/2010 Conrad et al.  
 D611,210 S 3/2010 Conrad et al.  
 7,757,343 B2 7/2010 Courtney  
 D621,566 S \* 8/2010 Crawley et al. .... D32/33  
 7,805,804 B2 10/2010 Loebig  
 7,823,251 B2 11/2010 Dyson et al.  
 7,854,039 B2 12/2010 Lee et al.  
 D633,264 S 2/2011 Lee  
 D641,114 S 7/2011 Choi et al.  
 D642,755 S 8/2011 Fjellman  
 D644,385 S 8/2011 Hare et al.  
 8,032,983 B2 10/2011 Griffith et al.  
 D656,695 S \* 3/2012 Crawley ..... D32/33  
 D659,923 S \* 5/2012 Dyson ..... D32/33

D662,271 S 6/2012 Conrad et al.  
 D662,272 S 6/2012 Conrad et al.  
 D670,056 S 10/2012 Ventress et al.  
 D680,288 S 4/2013 Bilger et al.  
 D684,326 S 6/2013 Okabe et al.  
 D685,961 S 7/2013 Bilger et al.  
 D686,377 S 7/2013 Thorne  
 D693,975 S 11/2013 Santiago et al.  
 D695,980 S 12/2013 Thorne  
 D729,475 S \* 5/2015 Jang et al. .... D32/33  
 D733,376 S \* 6/2015 Bennett et al. .... D32/33  
 D733,377 S \* 6/2015 Bennett et al. .... D32/33  
 2009/0056058 A1 3/2009 Finke et al.  
 2009/0056059 A1 3/2009 Mersmann et al.  
 2009/0056061 A1 3/2009 Andrup et al.  
 2011/0107553 A1 5/2011 Myers  
 2011/0219581 A1 9/2011 Vines et al.  
 2014/0237754 A1 8/2014 Conrad  
 2014/0237762 A1 8/2014 Conrad  
 2014/0259519 A1 9/2014 Conrad et al.

OTHER PUBLICATIONS

Chinese Office Action dated Apr. 30, 2015 for Chinese Patent Application No. 201430561404.9.

\* cited by examiner

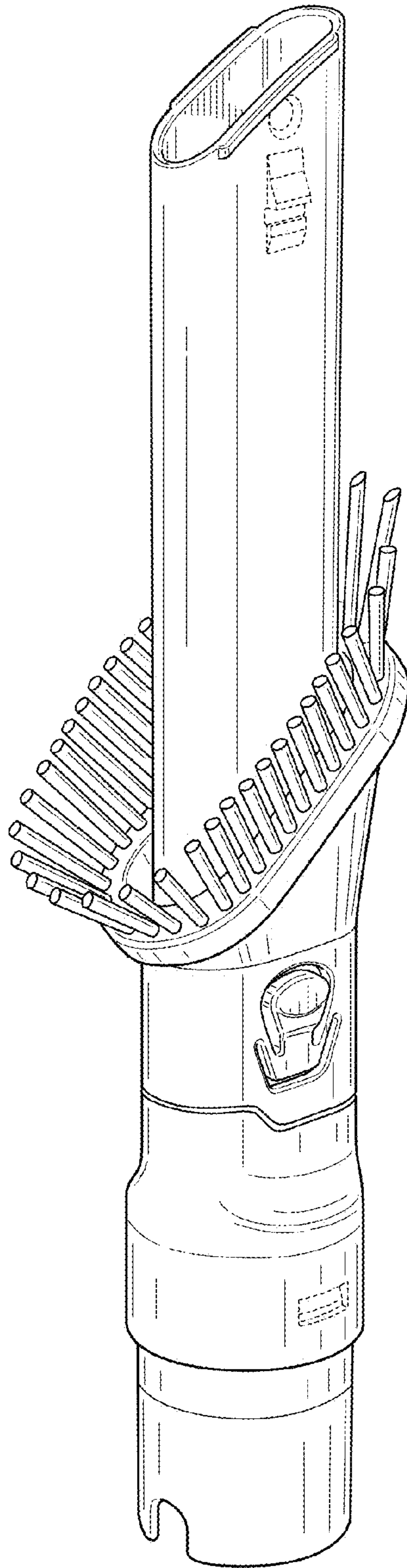


FIG. 1

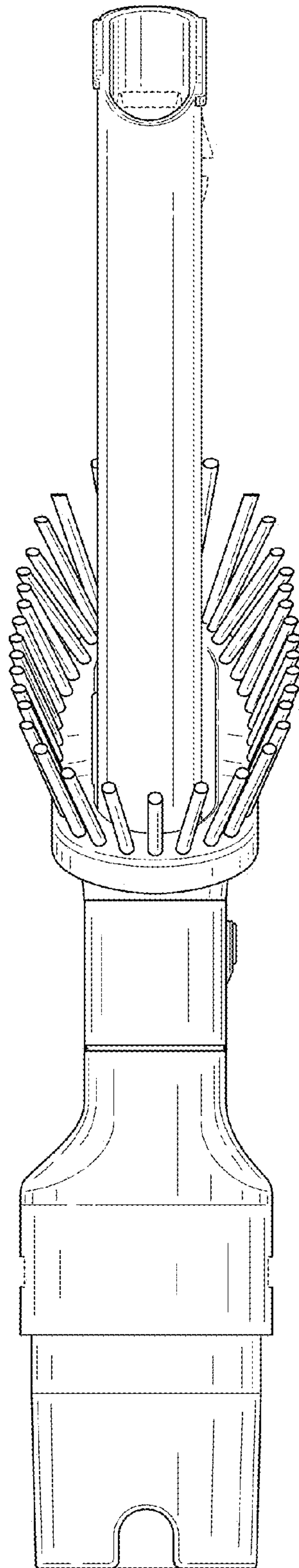
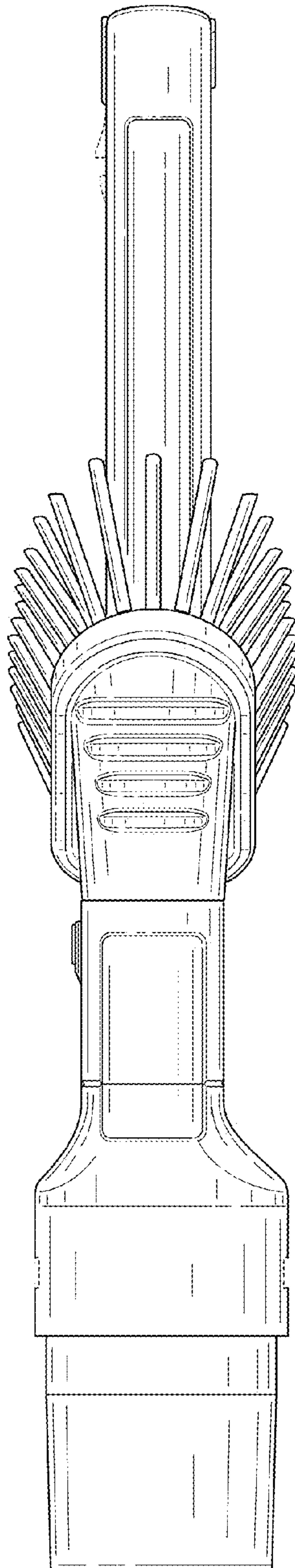


FIG. 2





**FIG. 3**

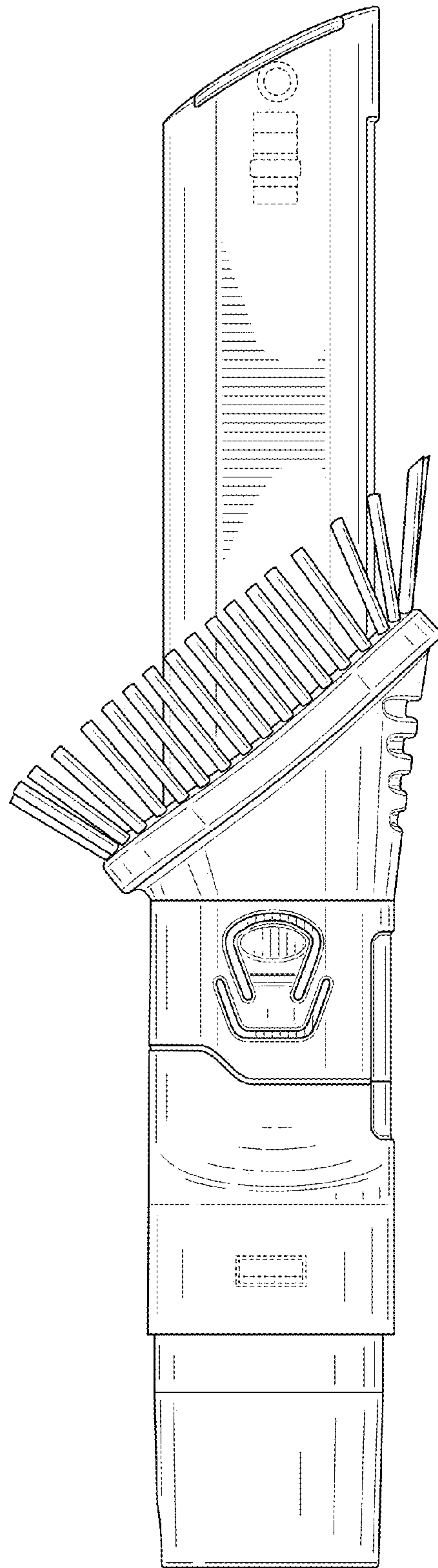


FIG. 4

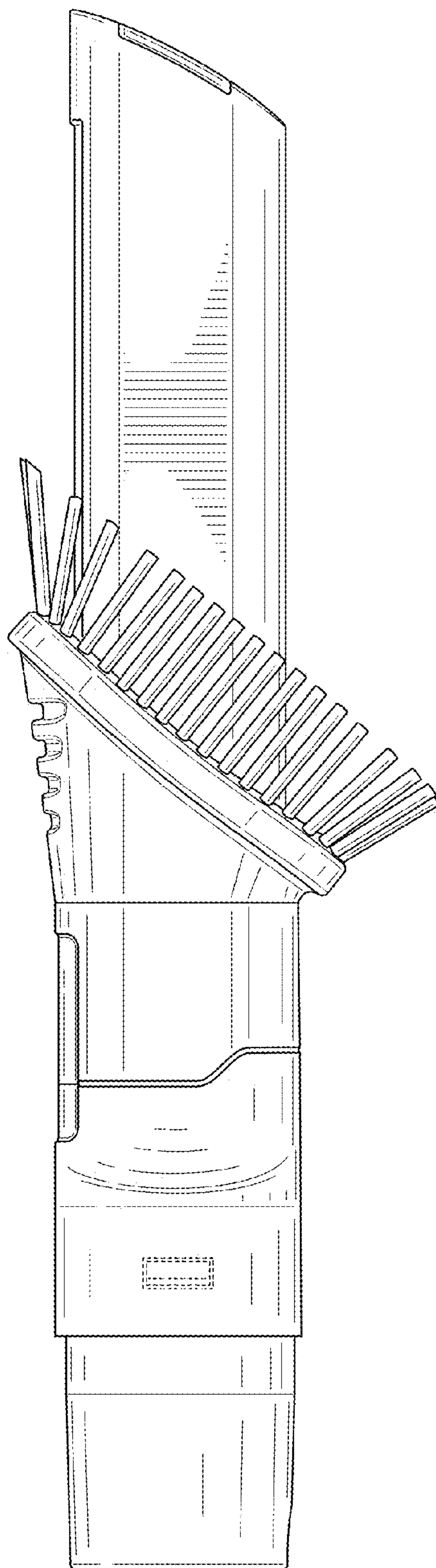
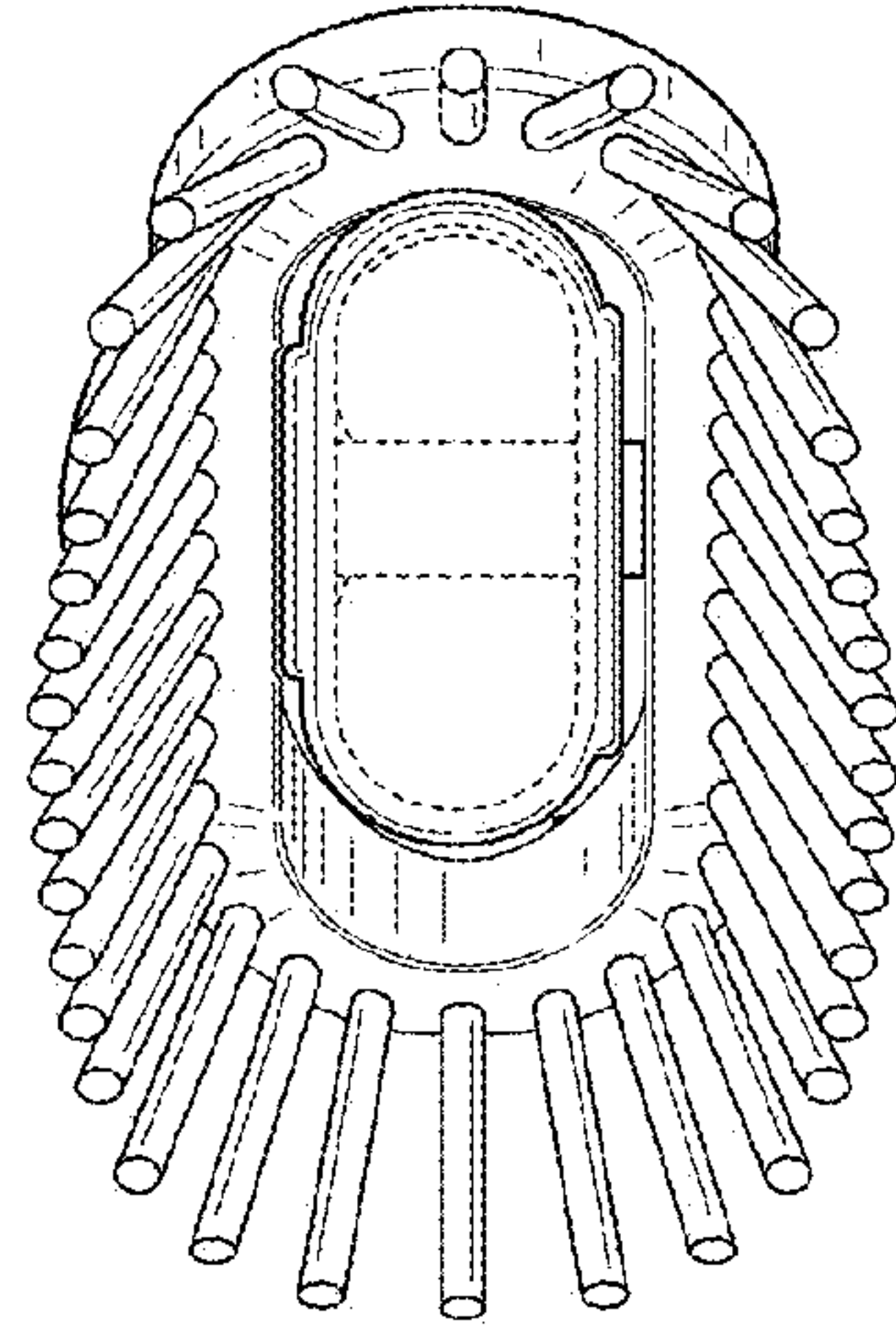
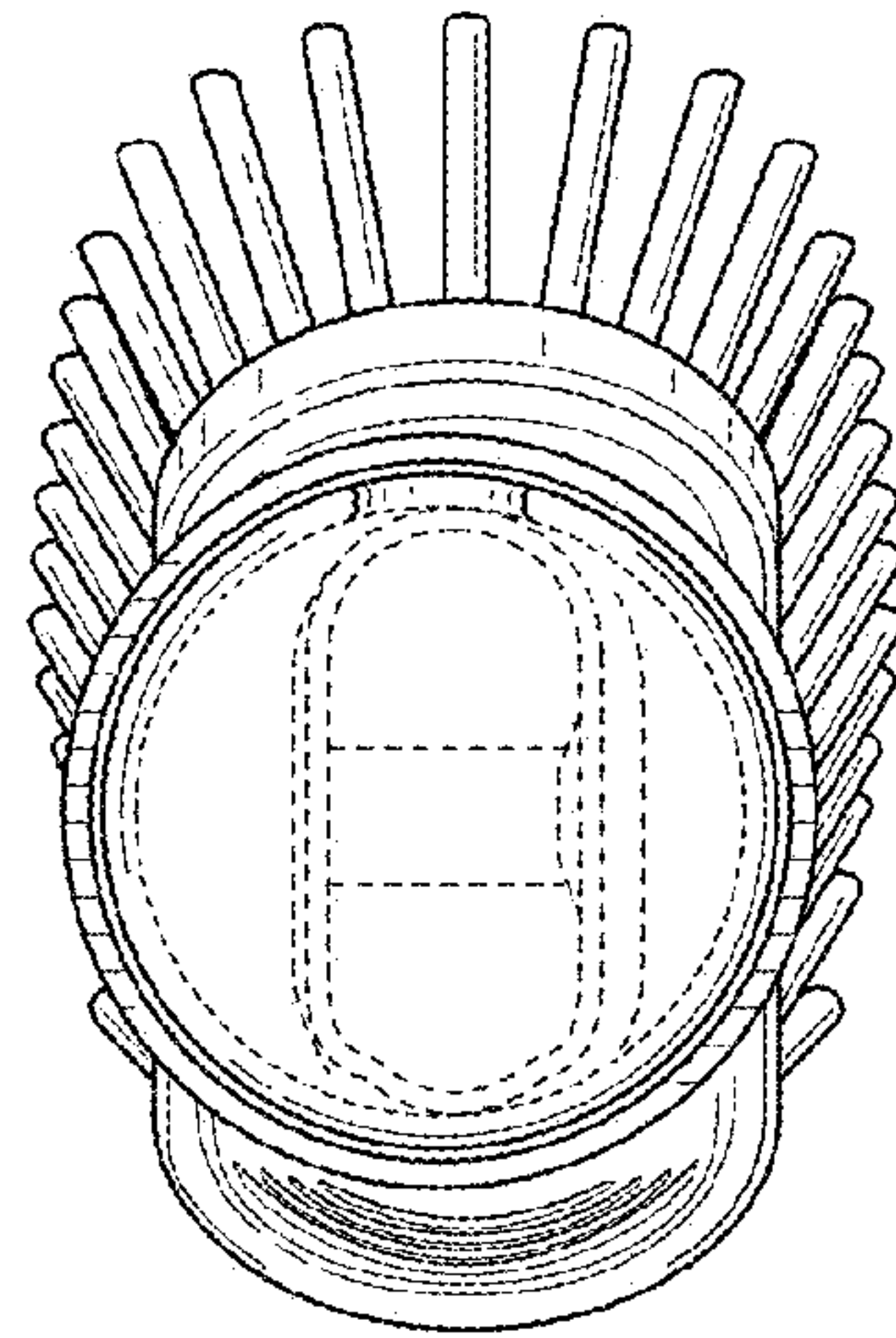


FIG. 5



**FIG. 6**



**FIG. 7**



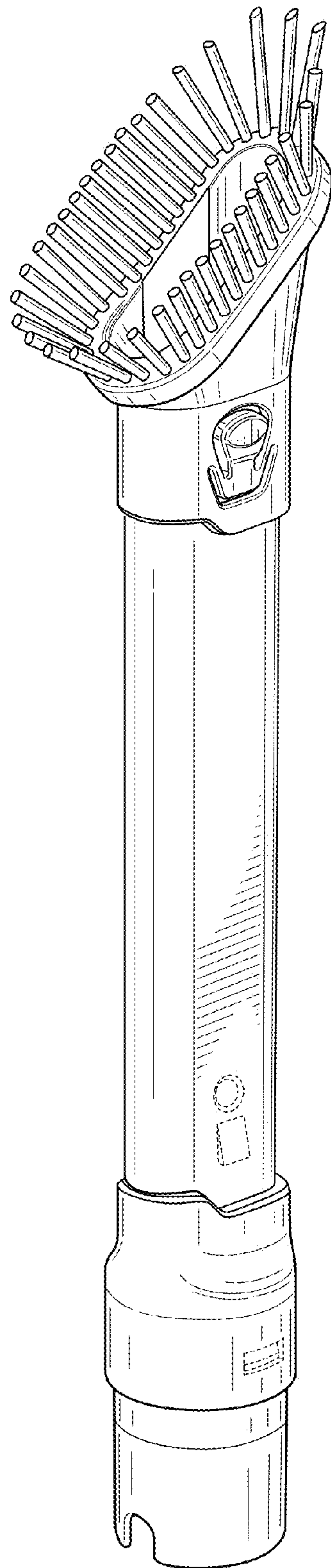


FIG. 8

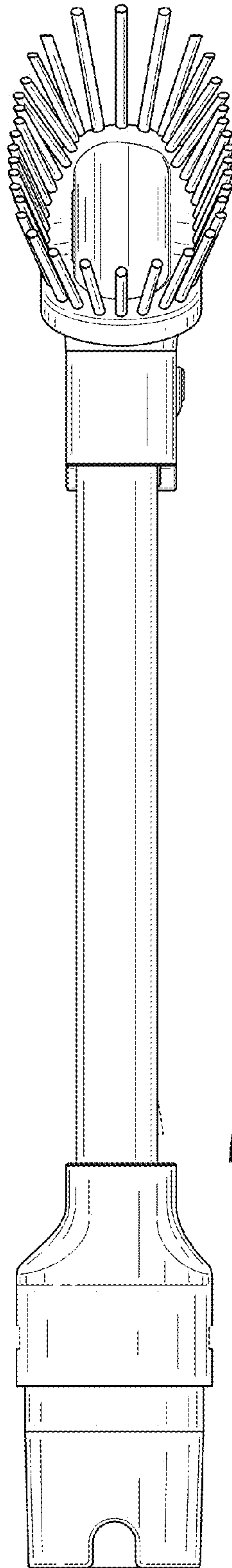
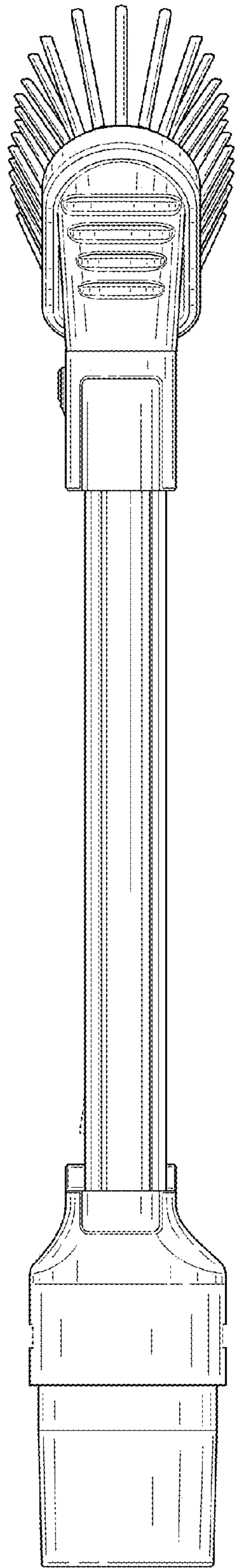


FIG. 9



**FIG. 10**

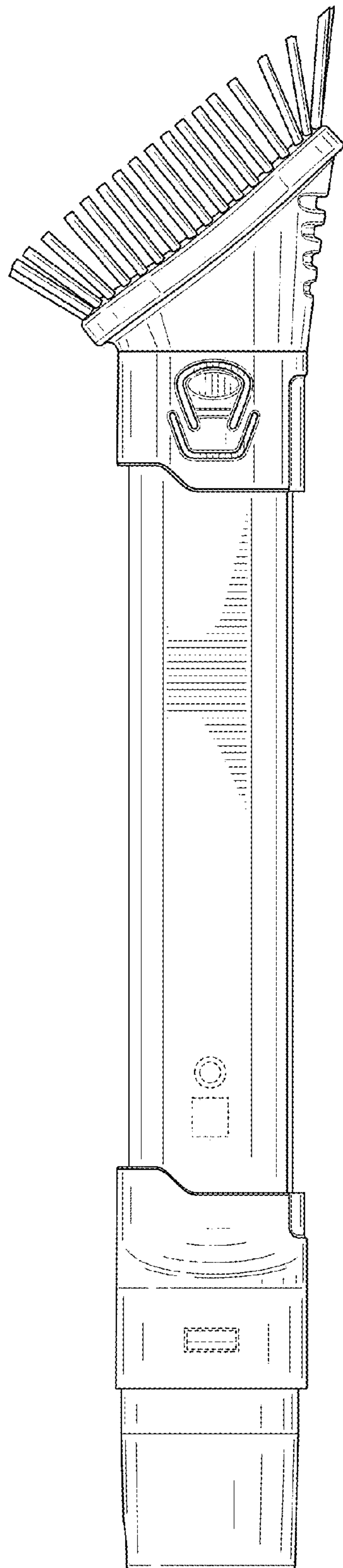


FIG. 11

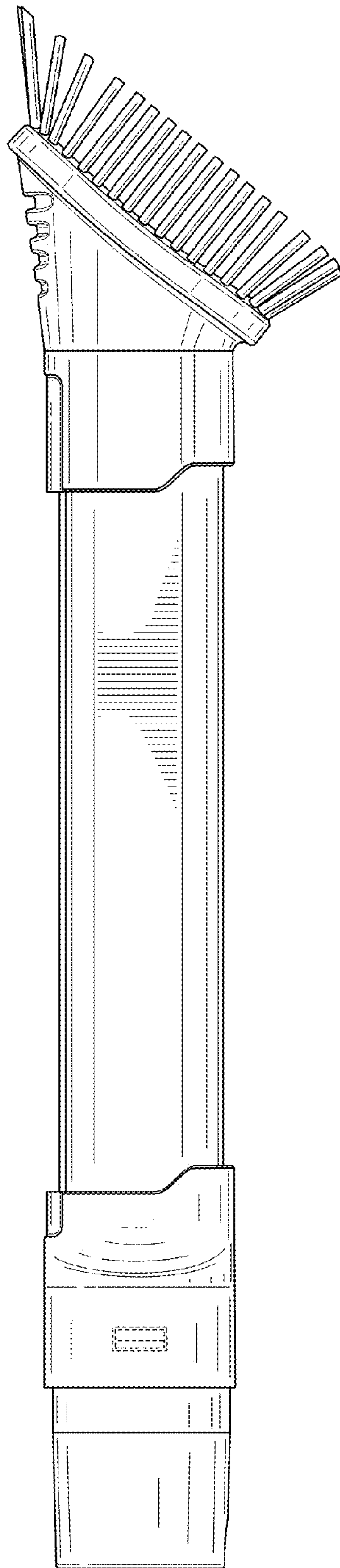
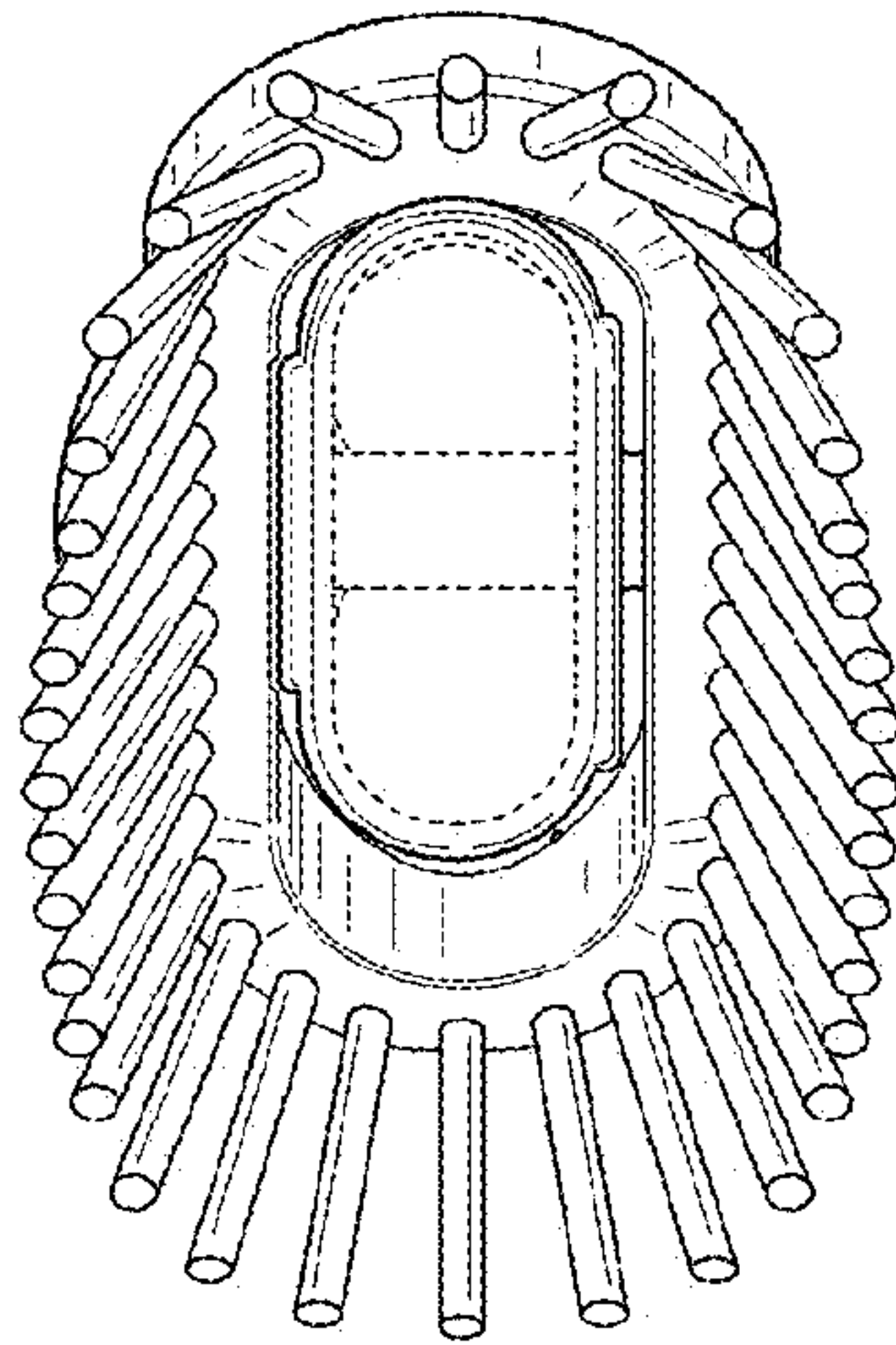
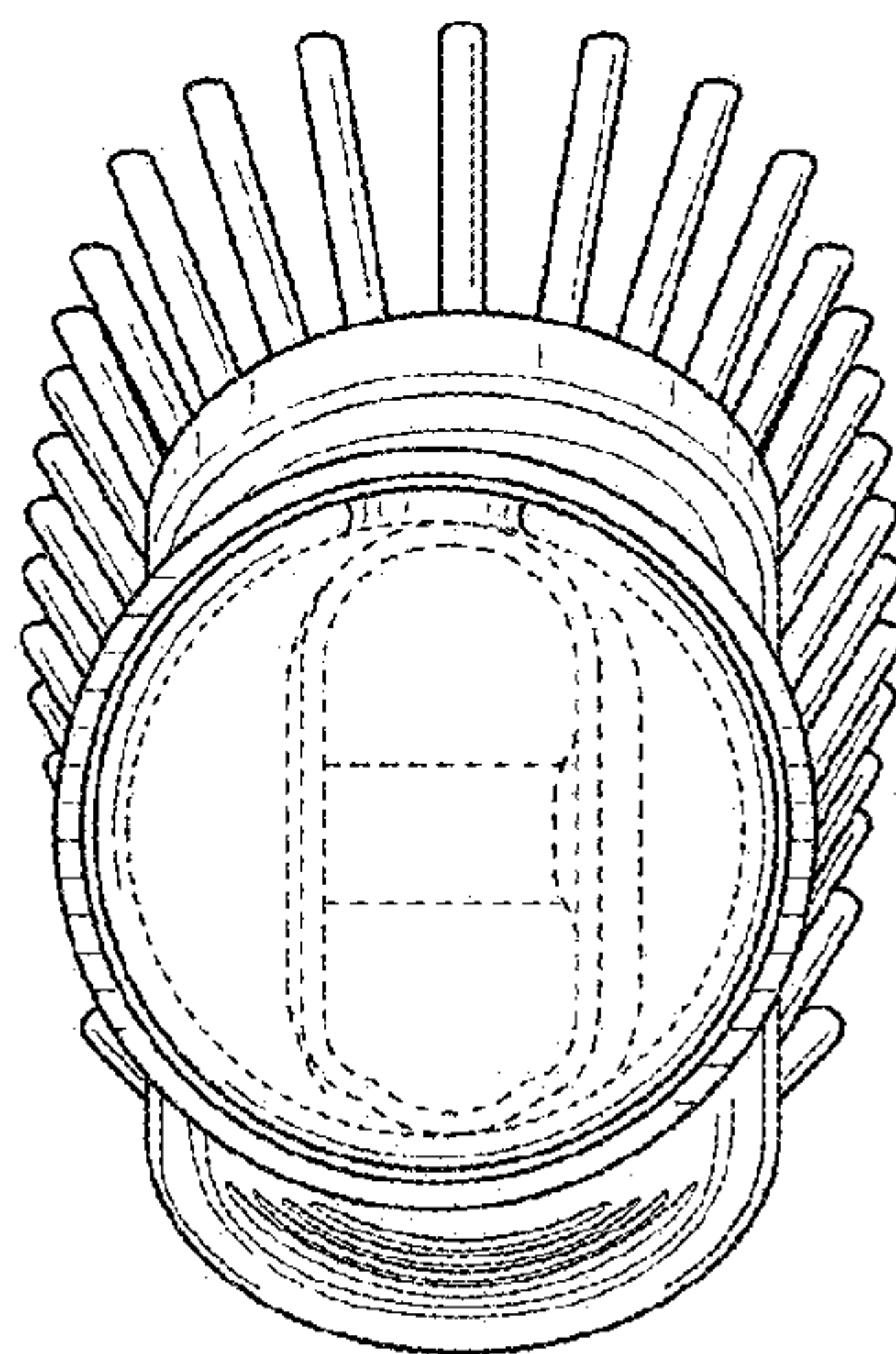


FIG. 12





**FIG. 13**



**FIG. 14**