

US00D764122S

(12) **United States Design Patent**
Jo

(10) **Patent No.:** **US D764,122 S**
(45) **Date of Patent:** **** Aug. 16, 2016**

- (54) **WASHING MACHINE**
- (71) Applicant: **LG ELECTRONICS INC.**, Seoul (KR)
- (72) Inventor: **Mingyu Jo**, Seoul (KR)
- (73) Assignee: **LG ELECTRONICS INC.**, Seoul (KR)
- (**) Term: **15 Years**
- (21) Appl. No.: **29/544,539**
- (22) Filed: **Nov. 4, 2015**

4,534,188 A *	8/1985	Fey	D08F 29/00	312/272
D515,257 S *	2/2006	Geyer	D32/6	
D536,903 S *	2/2007	Bixby	D32/6	
D606,267 S *	12/2009	Shor	D32/6	
D607,619 S *	1/2010	Kim	D32/6	
D694,965 S *	12/2013	Lee	D32/6	
D733,372 S *	6/2015	Song	D32/6	
D739,095 S *	9/2015	Shu	D32/6	
D744,177 S *	11/2015	Jung	D32/6	
2011/0041560 A1 *	2/2011	Lee	D06F 29/00	68/9

- (30) **Foreign Application Priority Data**
- Jun. 16, 2015 (KR) 30-2015-0030253
- (51) **LOC (10) Cl.** **15-05**
- (52) **U.S. Cl.**
- USPC **D32/6**
- (58) **Field of Classification Search**
- USPC D32/1, 5-6, 8, 25, 28, 29
- CPC ... D06F 33/02; D06F 39/02; D06F 2204/065;
- D06F 25/00; D06F 35/006; D06F 58/00;
- D06F 58/02; D06F 58/04; D06F 58/20;
- D06F 23/04; G05B 19/042
- See application file for complete search history.

- (56) **References Cited**
- U.S. PATENT DOCUMENTS
- D151,001 S * 9/1948 Perl D32/6
- D178,260 S * 7/1956 Perl D32/6

* cited by examiner

Primary Examiner — Michael A. Pratt
Assistant Examiner — Michelle E Wilson
(74) *Attorney, Agent, or Firm* — Dentons US LLP

(57) **CLAIM**
I claim the ornamental design for a washing machine, as shown and described.

DESCRIPTION

FIG. 1 is a perspective view of a washing machine showing my new design;
FIG. 2 is a front elevation view thereof;
FIG. 3 is a rear elevation view thereof;
FIG. 4 is a left-side elevation view thereof;
FIG. 5 is a right-side elevation view thereof;
FIG. 6 is a top plan view thereof; and,
FIG. 7 is a bottom plan view thereof.
The broken lines represent unclaimed portions of the washing machine and form no part of the claimed design.

1 Claim, 6 Drawing Sheets

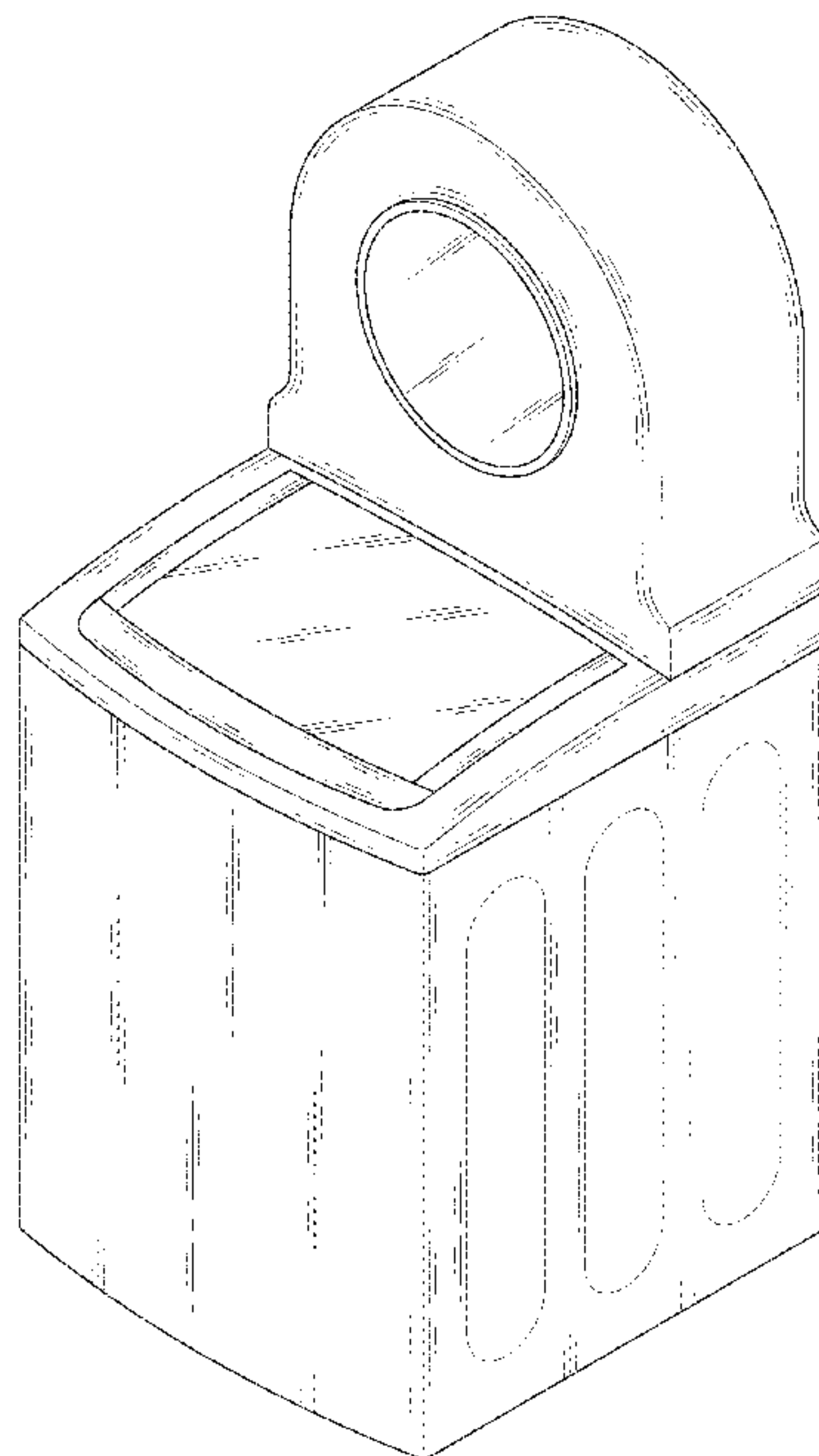


FIG. 1

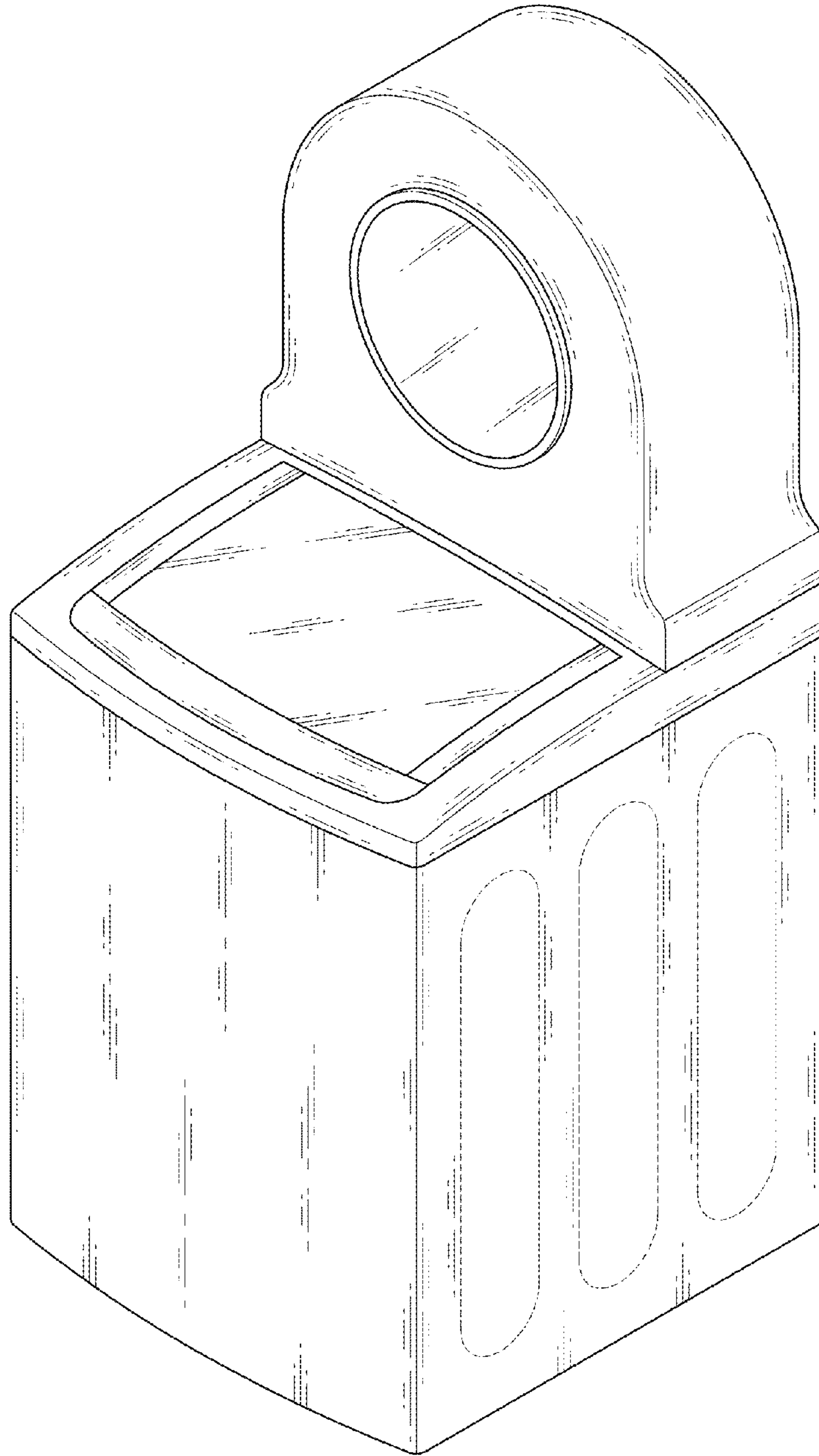


FIG. 2

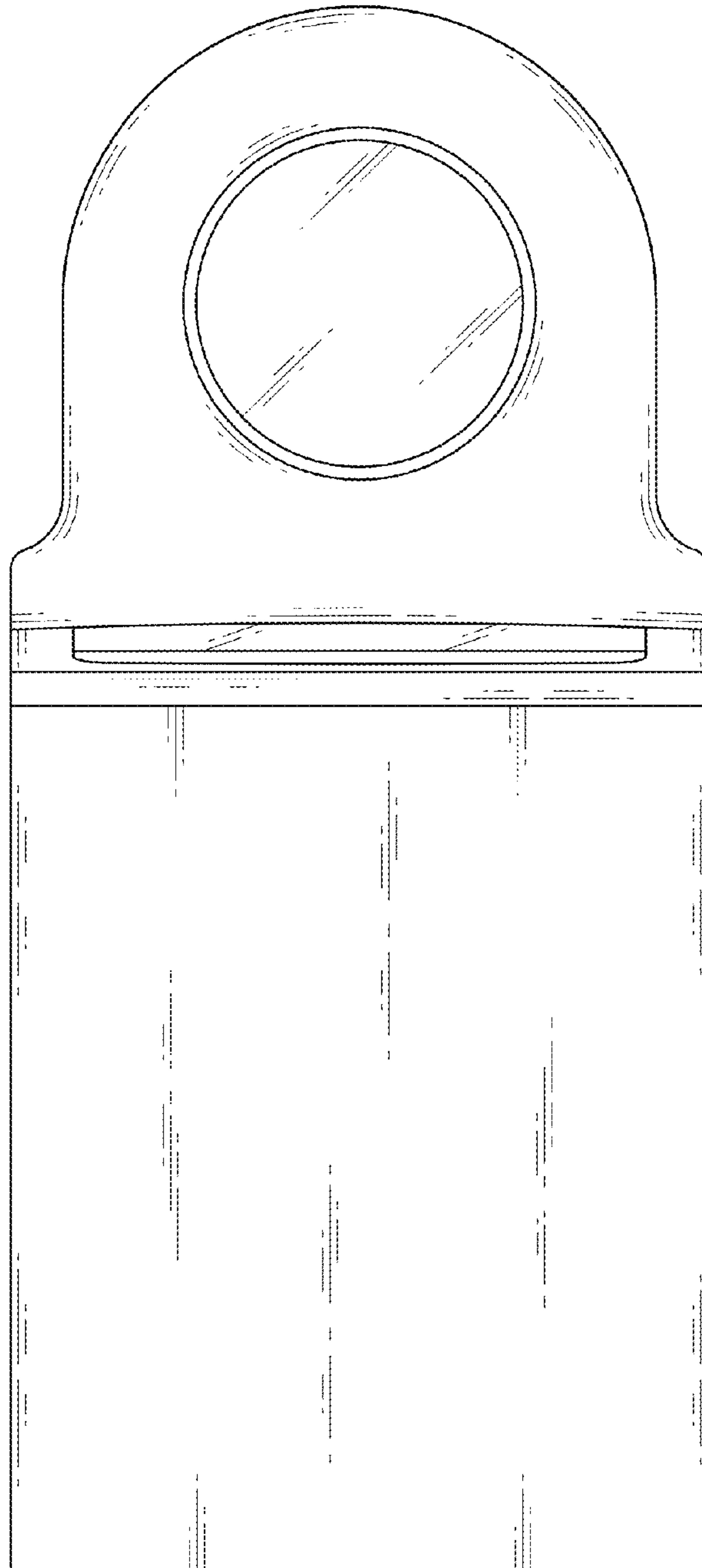


FIG. 3

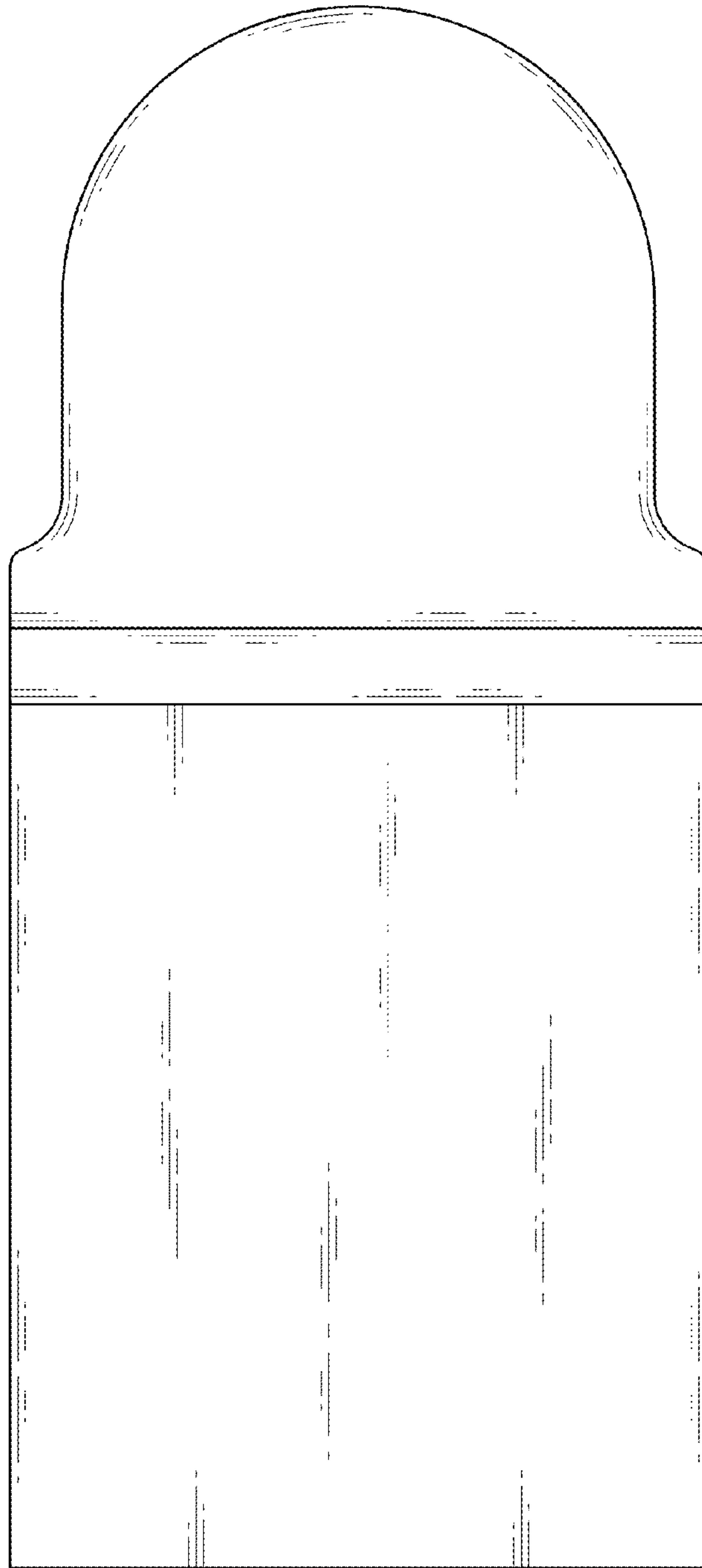


FIG. 4

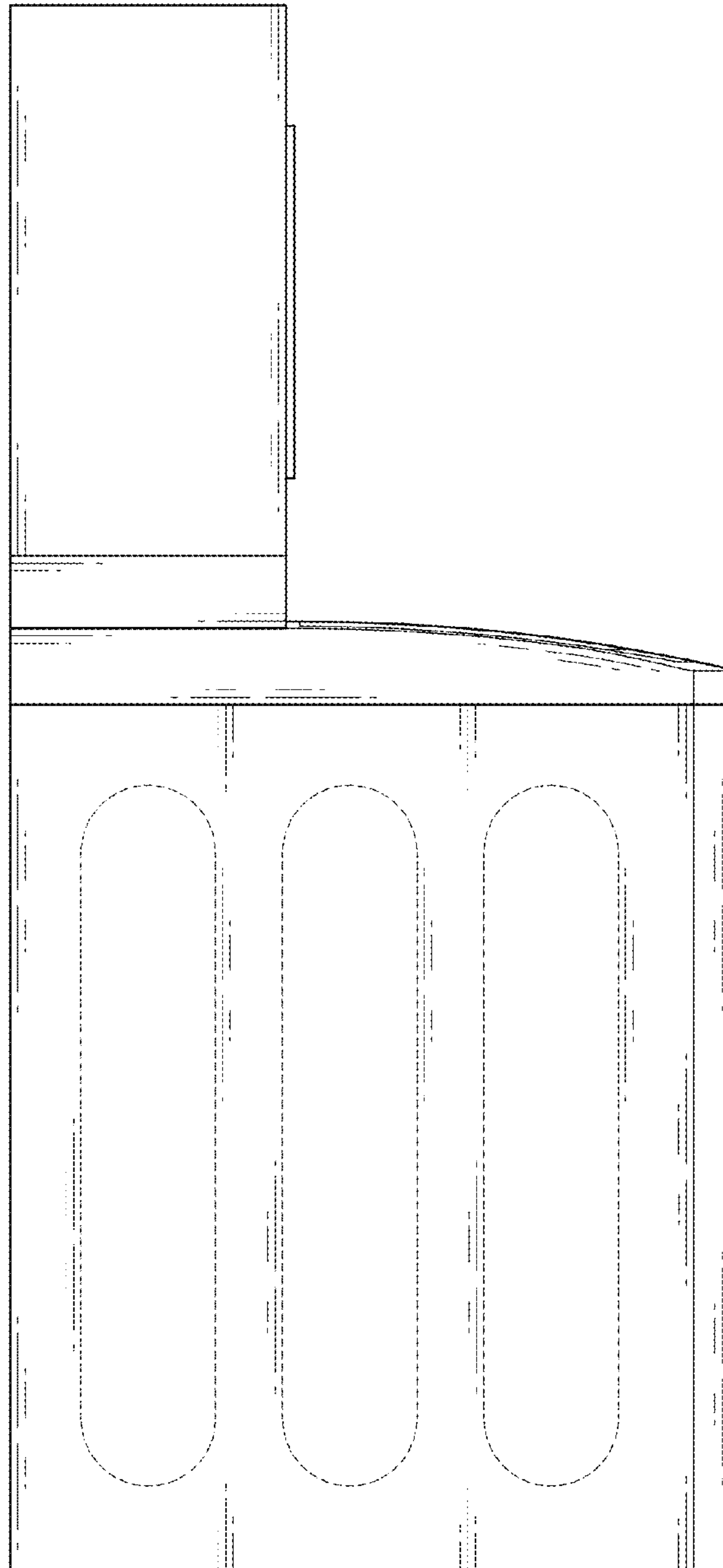


FIG. 5

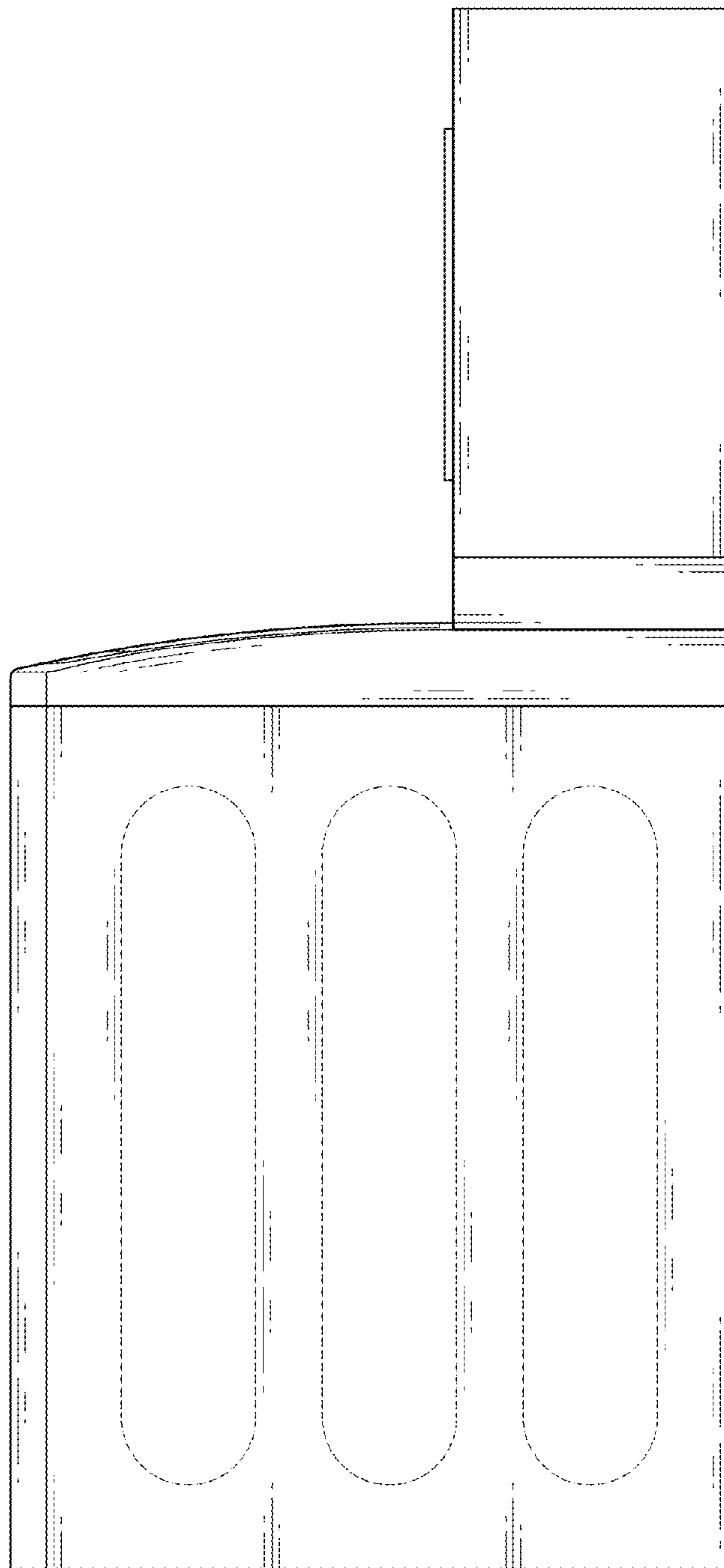


FIG. 6

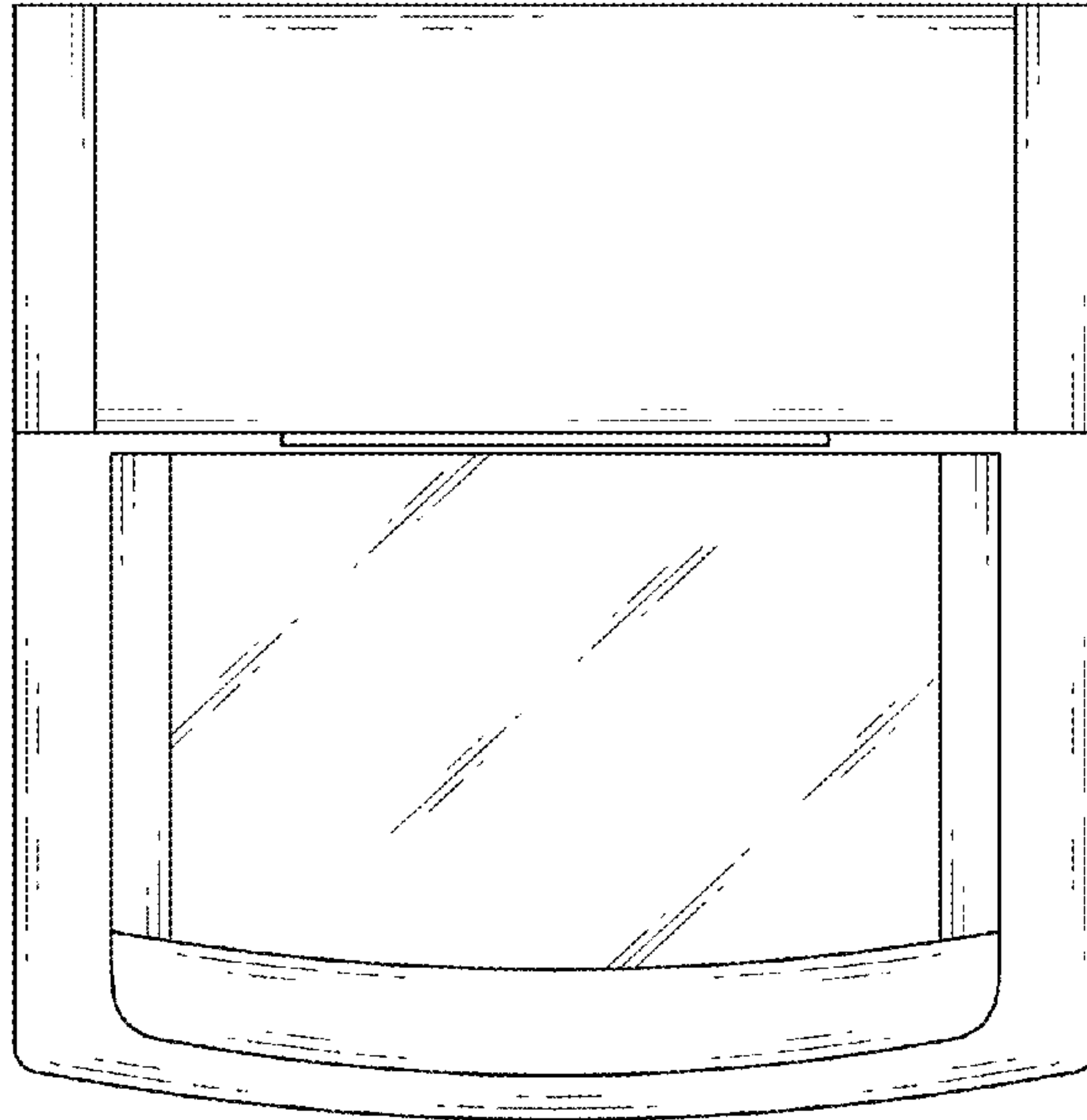


FIG. 7

