



US00D764120S

(12) **United States Design Patent**
Choi et al.

(10) **Patent No.:** **US D764,120 S**

(45) **Date of Patent:** **** Aug. 16, 2016**

(54) **WASHING MACHINE**

(71) Applicant: **Samsung Electronics Co., Ltd.**,
Suwon-si (KR)

(72) Inventors: **Hyoung-Sub Choi**, Goyang-si (KR);
Deok-Sang Yun, Ansan-si (KR)

(73) Assignee: **SAMSUNG ELECTRONICS CO.,**
LTD (KR)

(**) Term: **15 Years**

(21) Appl. No.: **29/530,865**

(22) Filed: **Jun. 19, 2015**

(30) **Foreign Application Priority Data**

Dec. 22, 2014 (KR) 30-2014-0062378

(51) **LOC (10) Cl.** **15-05**

(52) **U.S. Cl.**
USPC **D32/6**

(58) **Field of Classification Search**
USPC D32/1, 5, 6, 8
CPC ... D06F 33/02; D06F 39/02; D06F 2204/065;
D06F 25/00; D06F 35/006; D06F 58/00;
D06F 58/02; D06F 58/04; D06F 58/20;
D06F 23/04; G05B 19/042

See application file for complete search history.

(56) **References Cited**

U.S. PATENT DOCUMENTS

D422,387 S * 4/2000 Mutoh D32/25
D446,891 S * 8/2001 Kim, II D32/6
D524,494 S * 7/2006 Kim, II D32/9
D541,491 S * 4/2007 Jun D32/6
D619,314 S * 7/2010 Bixby D32/25
D621,563 S * 8/2010 Bixby D32/25

D648,085 S * 11/2011 Miller D32/28
D648,497 S * 11/2011 Bhattacharya D32/28
D654,640 S * 2/2012 Song D32/6
D697,680 S * 1/2014 Hwang D32/25
D704,907 S * 5/2014 Yoo D32/6
D709,657 S * 7/2014 Shin D32/25
D711,605 S * 8/2014 Jo D32/25
D729,467 S * 5/2015 Jee D32/6
D729,994 S * 5/2015 Kang D32/6
D729,995 S * 5/2015 Song D32/6
D730,594 S * 5/2015 Kang D32/6
D730,595 S * 5/2015 Jeong D32/6
D733,372 S * 6/2015 Song D32/6
D744,177 S * 11/2015 Jung D32/6
D748,355 S * 1/2016 Sim D32/6
2009/0229320 A1 * 9/2009 Yoo D06F 39/14
68/3 R
2015/0123521 A1 * 5/2015 Lee D06F 39/14
312/228

* cited by examiner

Primary Examiner — T. Chase Nelson

Assistant Examiner — Michelle E Wilson

(74) *Attorney, Agent, or Firm* — Cantor Colburn LLP

(57) **CLAIM**

The ornamental design for a washing machine, as shown and described.

DESCRIPTION

FIG. 1 is a perspective view of a washing machine, showing our new design;

FIG. 2 is a front view thereof;

FIG. 3 is a rear view thereof;

FIG. 4 is a side view thereof;

FIG. 5 is another side view thereof;

FIG. 6 is a top view thereof; and,

FIG. 7 is a bottom view thereof.

The broken lines in the figures are for environmental purposes only and form no part of the claimed design.

1 Claim, 7 Drawing Sheets

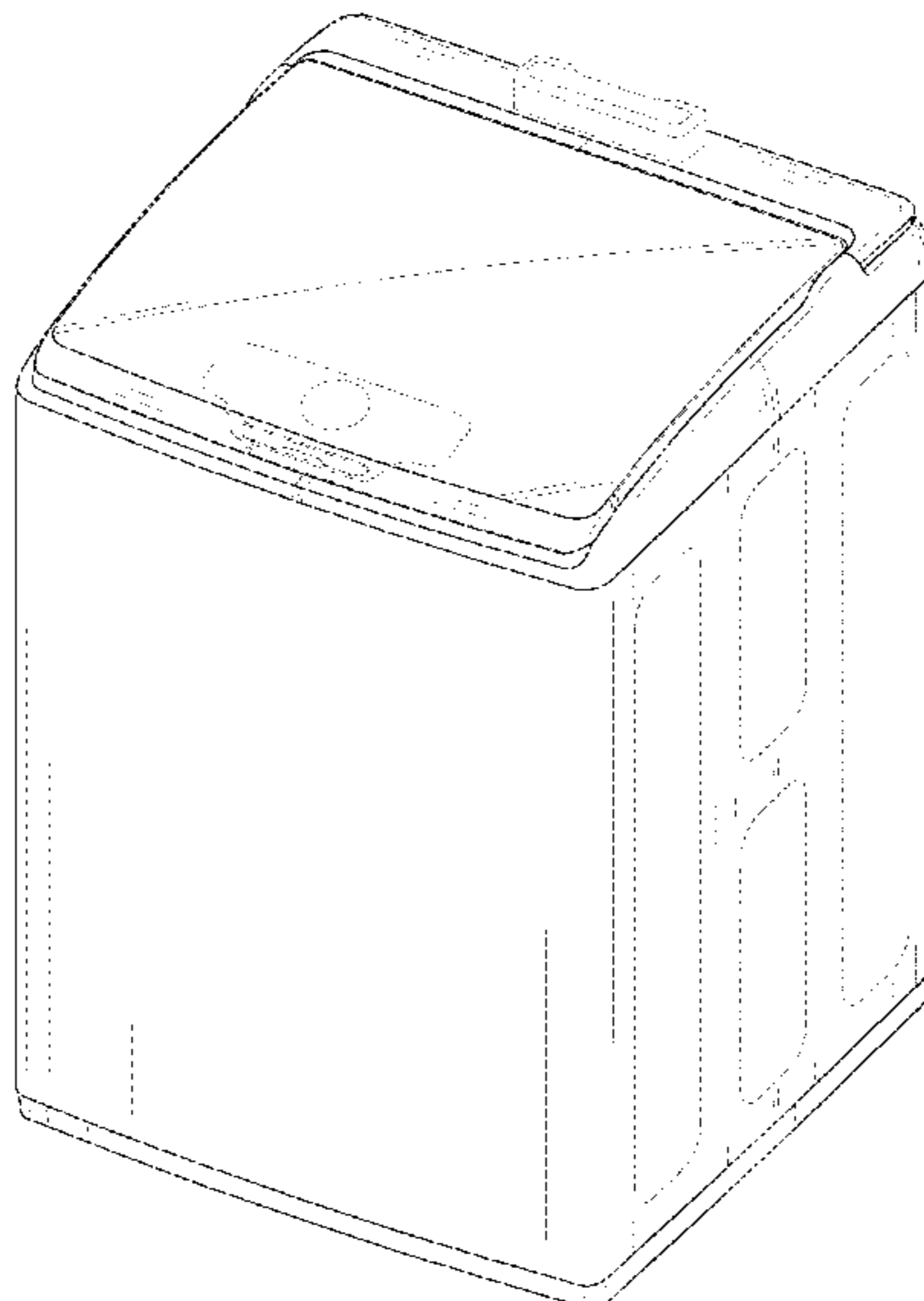


FIG. 1

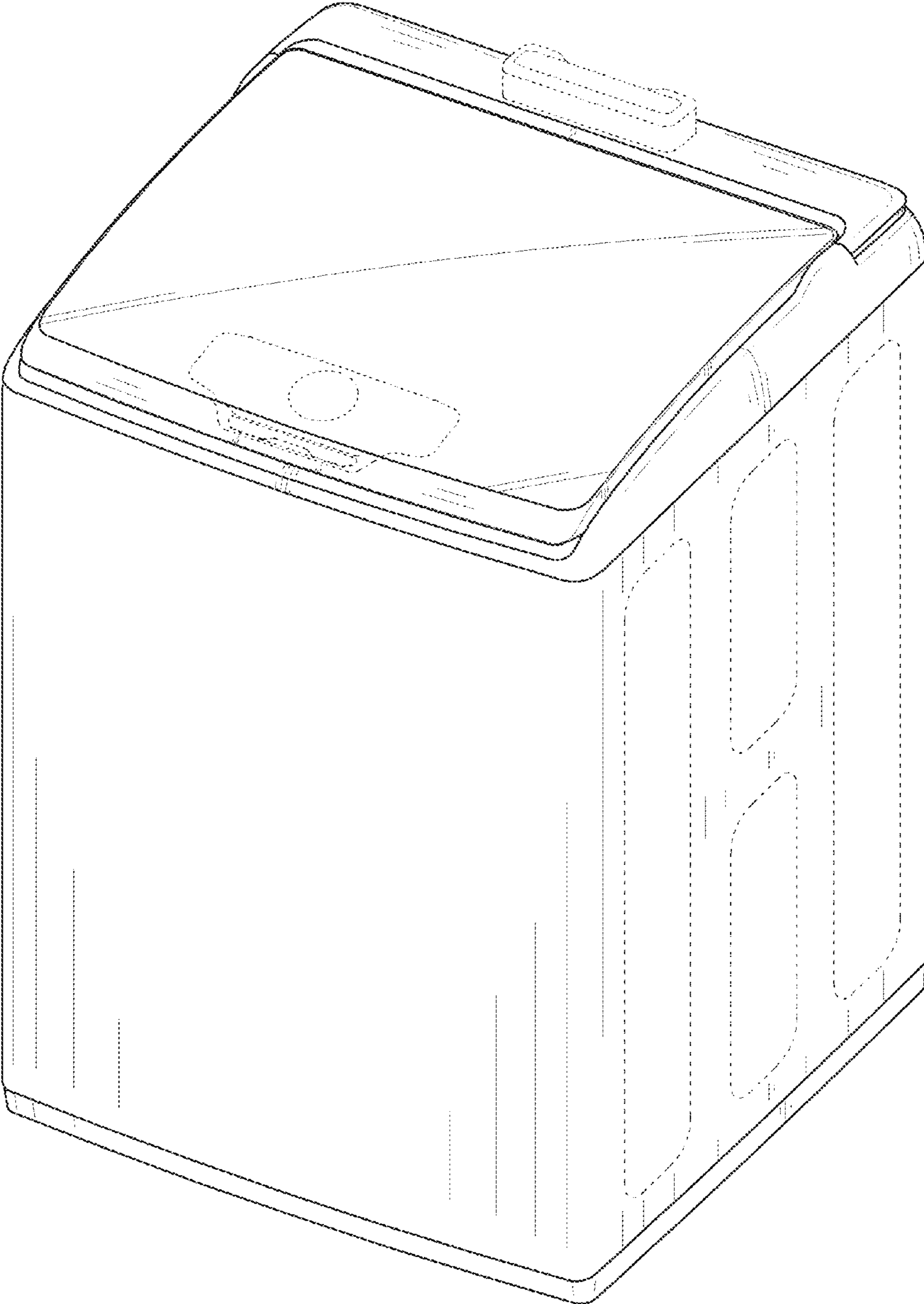


FIG. 2



FIG. 3

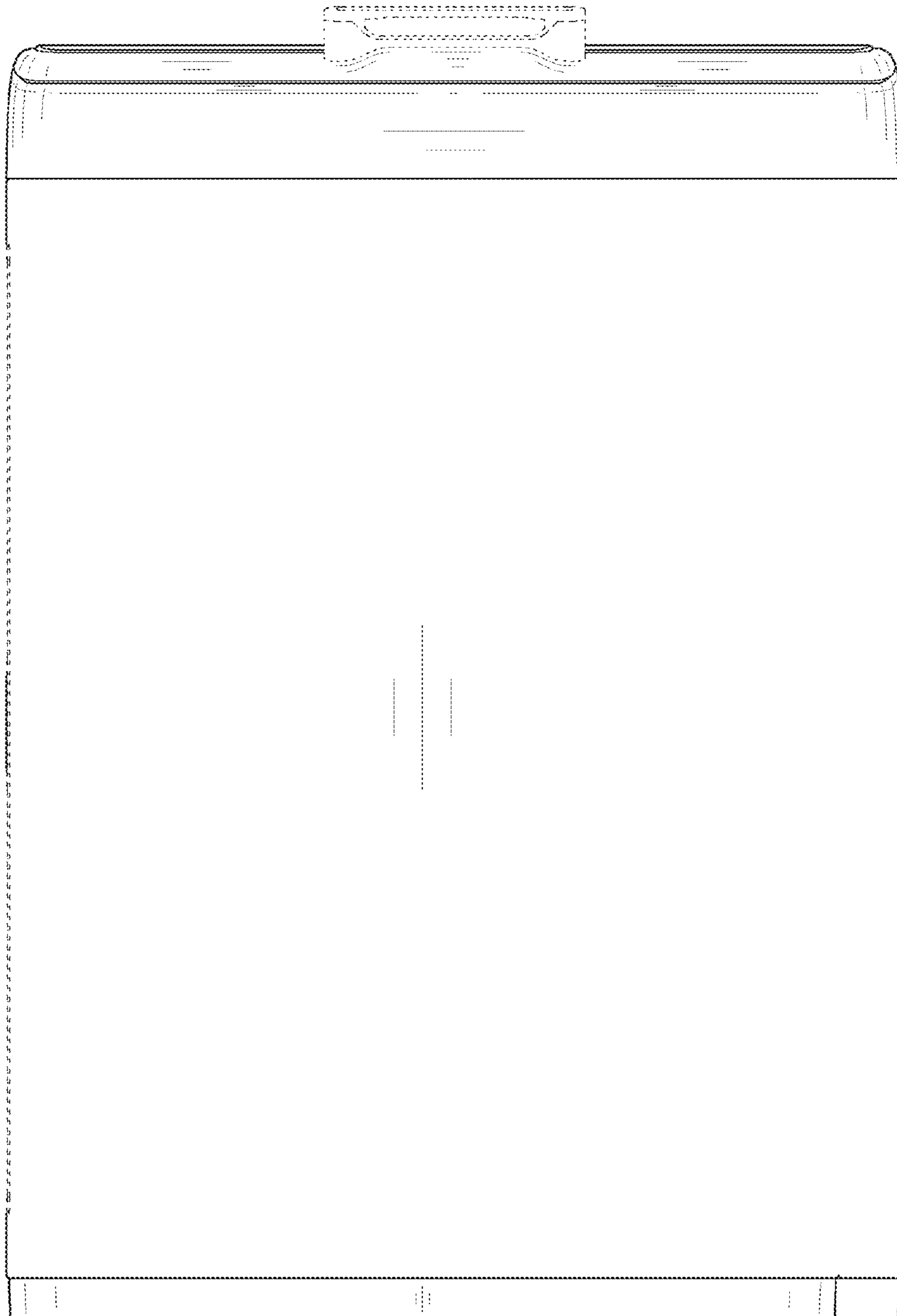


FIG. 4

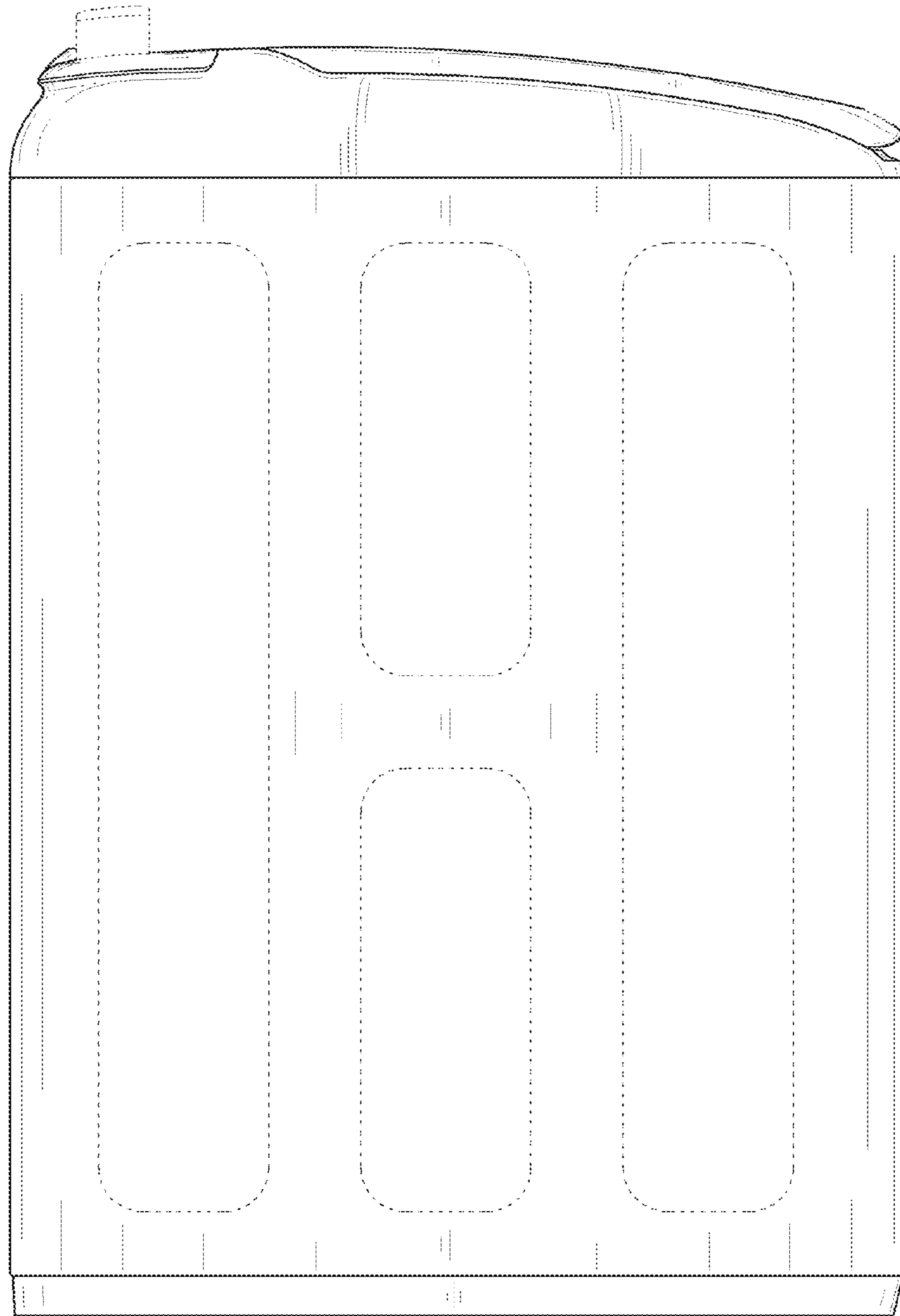


FIG. 5

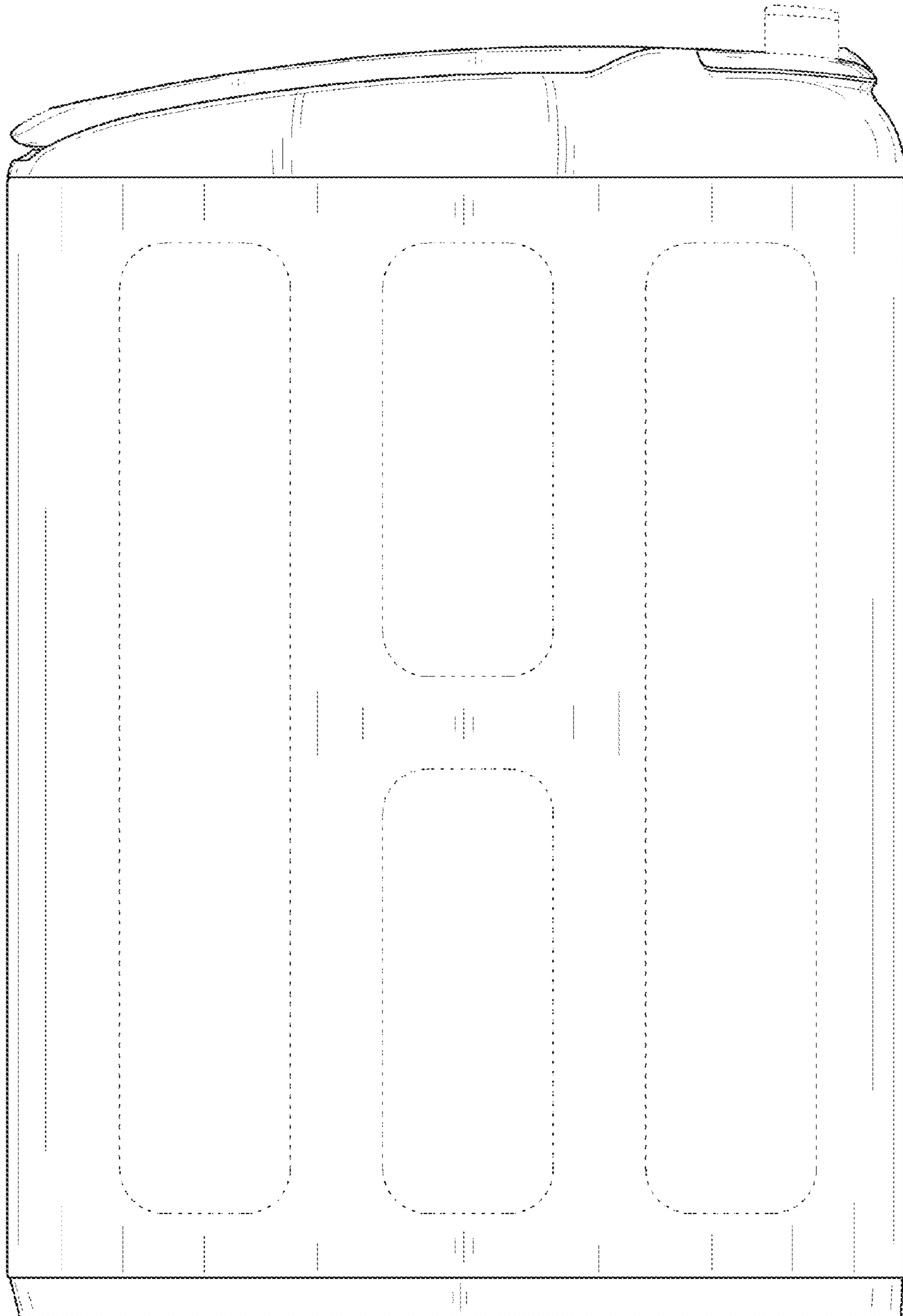


FIG. 6

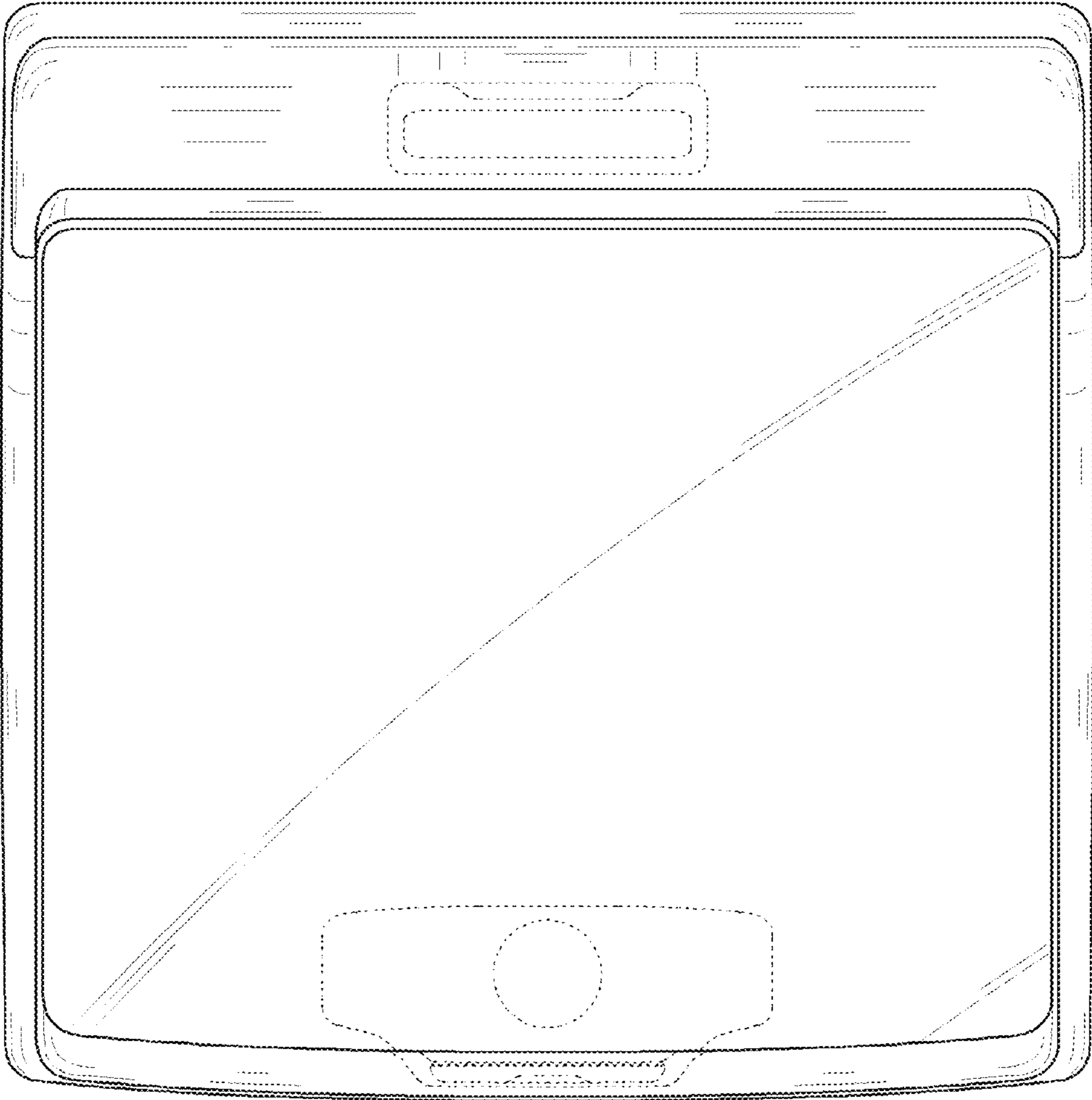


FIG. 7

