



US00D764119S

(12) **United States Design Patent**  
**Cho et al.**

(10) **Patent No.:** **US D764,119 S**  
(45) **Date of Patent:** **\*\* Aug. 16, 2016**

(54) **WASHING MACHINE**

(71) Applicant: **SAMSUNG ELECTRONICS CO., LTD.**, Suwon-si (KR)

(72) Inventors: **Chul-Yong Cho**, Seoul (KR); **Kisang Yoon**, Daejeonsi (KR); **Seonju Lee**, Seoul (KR); **Jongsu Jeon**, Sungnamsi (KR); **Chris Bangle**, Clavesana (IT)

(73) Assignee: **SAMSUNG ELECTRONICS CO., LTD.**, Suwon-Si, Gyeonggi-Do (KR)

(\*\*) Term: **14 Years**

(21) Appl. No.: **29/473,351**

(22) Filed: **Nov. 21, 2013**

**Related U.S. Application Data**

(62) Division of application No. 29/441,395, filed on Jan. 4, 2013, now Pat. No. Des. 706,999.

(30) **Foreign Application Priority Data**

Jul. 5, 2012 (KR) ..... 30-2012-0032841

(51) **LOC (10) Cl.** ..... **15-05**

(52) **U.S. Cl.**  
USPC ..... **D32/6**

(58) **Field of Classification Search**

USPC ..... D32/1, 3, 6, 13, 25, 28; D9/695-696, D9/428; D24/101-102, 104; D1/130, 199  
See application file for complete search history.

(56) **References Cited**

**U.S. PATENT DOCUMENTS**

345,660 A \* 7/1886 Ashworth ..... 2/339  
D31,133 S \* 7/1899 Lantz ..... D24/100

(Continued)

**FOREIGN PATENT DOCUMENTS**

EM 001197065-0002 \* 3/2010  
KR 300530279-0000 \* 6/2009

(Continued)

**OTHER PUBLICATIONS**

Creating a Pill | Photoshop Tutorial to Make a Pill, website copyright 2009, online, site visited Apr. 16, 2015, <http://www.photoshopmanipulation.com/creating-a-pill-button/index.php>.\*

(Continued)

*Primary Examiner* — John Windmuller

*Assistant Examiner* — John R Yeh

(74) *Attorney, Agent, or Firm* — Ladas & Parry LLP

(57) **CLAIM**

We claim the ornamental design for a washing machine, as shown and described.

**DESCRIPTION**

FIG. 1 is a front/right-side/top perspective view of our new design for a washing machine;

FIG. 2 is a front-side elevational view thereof;

FIG. 3 is a rear-side elevational view thereof;

FIG. 4 is a left-side elevational view thereof;

FIG. 5 is a right-side elevational view thereof;

FIG. 6 is a top-side plan view thereof;

FIG. 7 is a bottom-side plan view thereof;

FIG. 8 is an enlarged view of the claimed portion of FIG. 1;

FIG. 9 is an enlarged view of the claimed portion of FIG. 2;

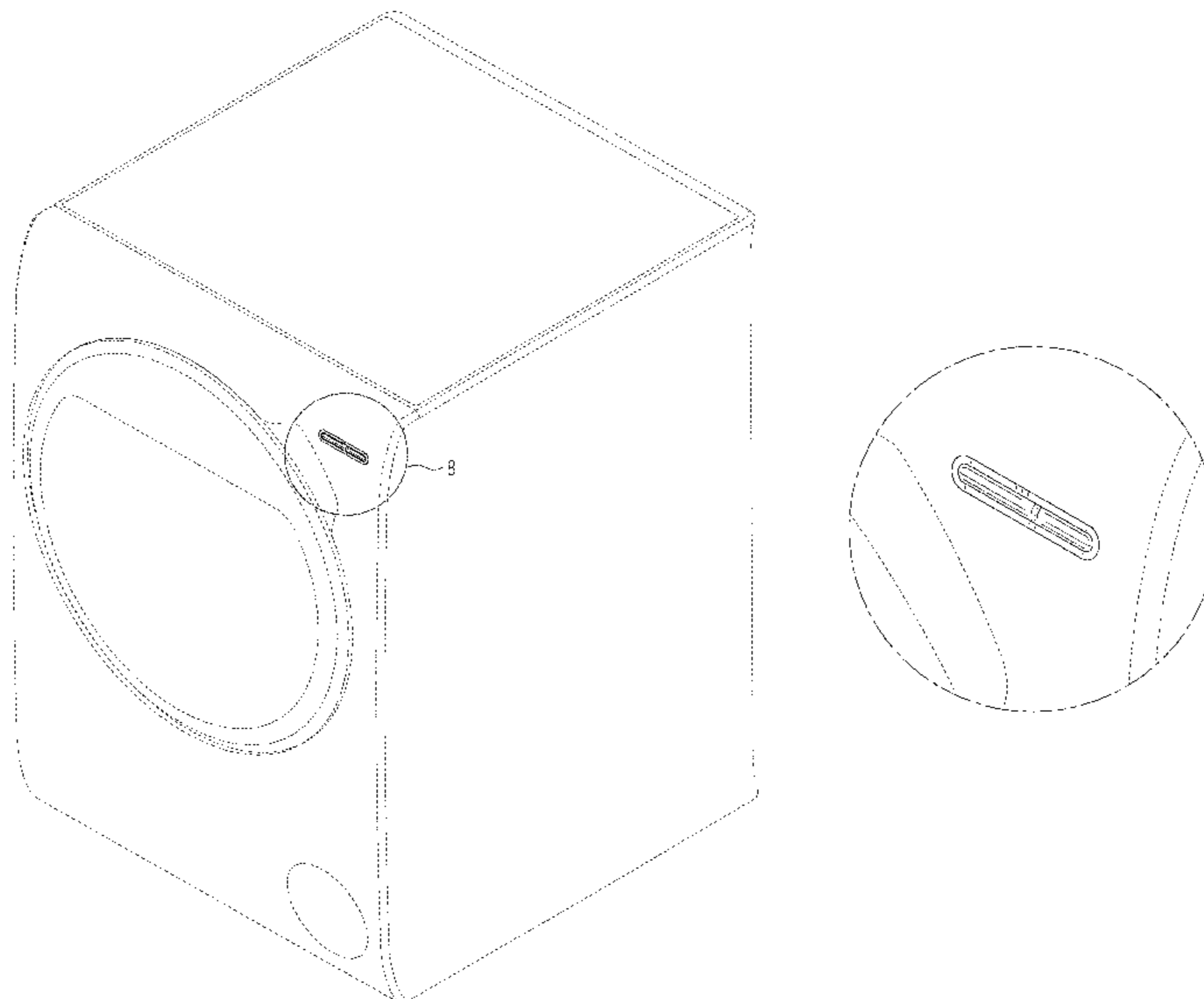
FIG. 10 is an enlarged view of the claimed portion of FIG. 5;

and,

FIG. 11 is an enlarged view of the claimed portion of FIG. 6.

The broken lines shown in the drawings represent portions of the washing machine that form no part of the claimed design.

**1 Claim, 9 Drawing Sheets**



(56)

References Cited

U.S. PATENT DOCUMENTS

D31,634 S \* 10/1899 Palmer ..... D32/25  
 2,138,462 A \* 11/1938 Trabold ..... 426/140  
 2,256,637 A \* 9/1941 Anderson ..... 439/877  
 D180,321 S \* 5/1957 Dome ..... D28/8.1  
 D194,121 S \* 11/1962 Ferar ..... D32/28  
 3,620,759 A \* 11/1971 Maddox ..... 426/78  
 4,094,408 A \* 6/1978 Ford ..... 206/534  
 D387,519 S \* 12/1997 Ichijo ..... D32/25  
 D406,187 S \* 3/1999 Garcia-Gutierrez ..... D1/199  
 D434,137 S \* 11/2000 Davis ..... D24/104  
 D446,893 S \* 8/2001 Lee ..... D32/25  
 D455,532 S \* 4/2002 Lee ..... D32/25  
 D489,496 S \* 5/2004 Sneddon ..... D32/6  
 D506,544 S \* 6/2005 Rinker et al. .... D24/101  
 D514,756 S \* 2/2006 Kirk et al. .... D32/6  
 D517,252 S \* 3/2006 Kirk ..... D32/3  
 D517,256 S \* 3/2006 Kim ..... D32/6  
 D517,259 S \* 3/2006 Ha et al. .... D32/6  
 D524,998 S \* 7/2006 Nickerson et al. .... D32/1  
 D617,776 S \* 6/2010 Hightower ..... D14/217  
 D618,212 S \* 6/2010 Jiang et al. .... D14/209.1  
 D618,403 S \* 6/2010 Kaczmarek ..... D32/3  
 D618,864 S \* 6/2010 Jeon et al. .... D32/6  
 D663,908 S \* 7/2012 Jeon et al. .... D32/6  
 D674,775 S \* 1/2013 Bolton ..... D14/209.1  
 D706,999 S \* 6/2014 Cho et al. .... D32/6

FOREIGN PATENT DOCUMENTS

KR 300538841-0000 \* 9/2009  
 RU 00068139 \* 10/2008  
 RU 00069634 \* 3/2009

OTHER PUBLICATIONS

Plastic Promotional Pill Boxes, wayback date Oct. 14, 2012, online, [http://web.archive.org/web/20121014101424/http://www.yardsigns.org/healthcare/imprinted\\_pill\\_boxes.html](http://web.archive.org/web/20121014101424/http://www.yardsigns.org/healthcare/imprinted_pill_boxes.html), [site visited Apr. 16, 2015 9:50:51 PM].\*  
 Oval grommet, slotted grommet, rubber grommet, pvc grommet, website copyright 2010, online, site visited Apr. 16, 2015, <http://www.xingxu-rubber.com/rubber-grommet/448-oval-grommet-slotted-grommet-rubber-grommet-pvc-grommet.html>.\*  
 Rubber Grommets Oblong Gromemts, oval shaped grommets, website copyright 2010, online, site visited Apr. 16, 2015, <http://www.xingxu-rubber.com/auto-rubber-parts/357-rubber-grommets-blind-blanking-gromemts-cblong-gromemts.html>.\*  
 6" Submersible Oval LED Stop/Turn Trailer Tail Light, review date Sep. 14, 2011, online, site visited Apr. 16, 2015, <http://www.harborfreight.com/6-inch-submersible-oval-led-stop-turn-trailer-tail-light-67064.html>.\*

\* cited by examiner

FIG. 1

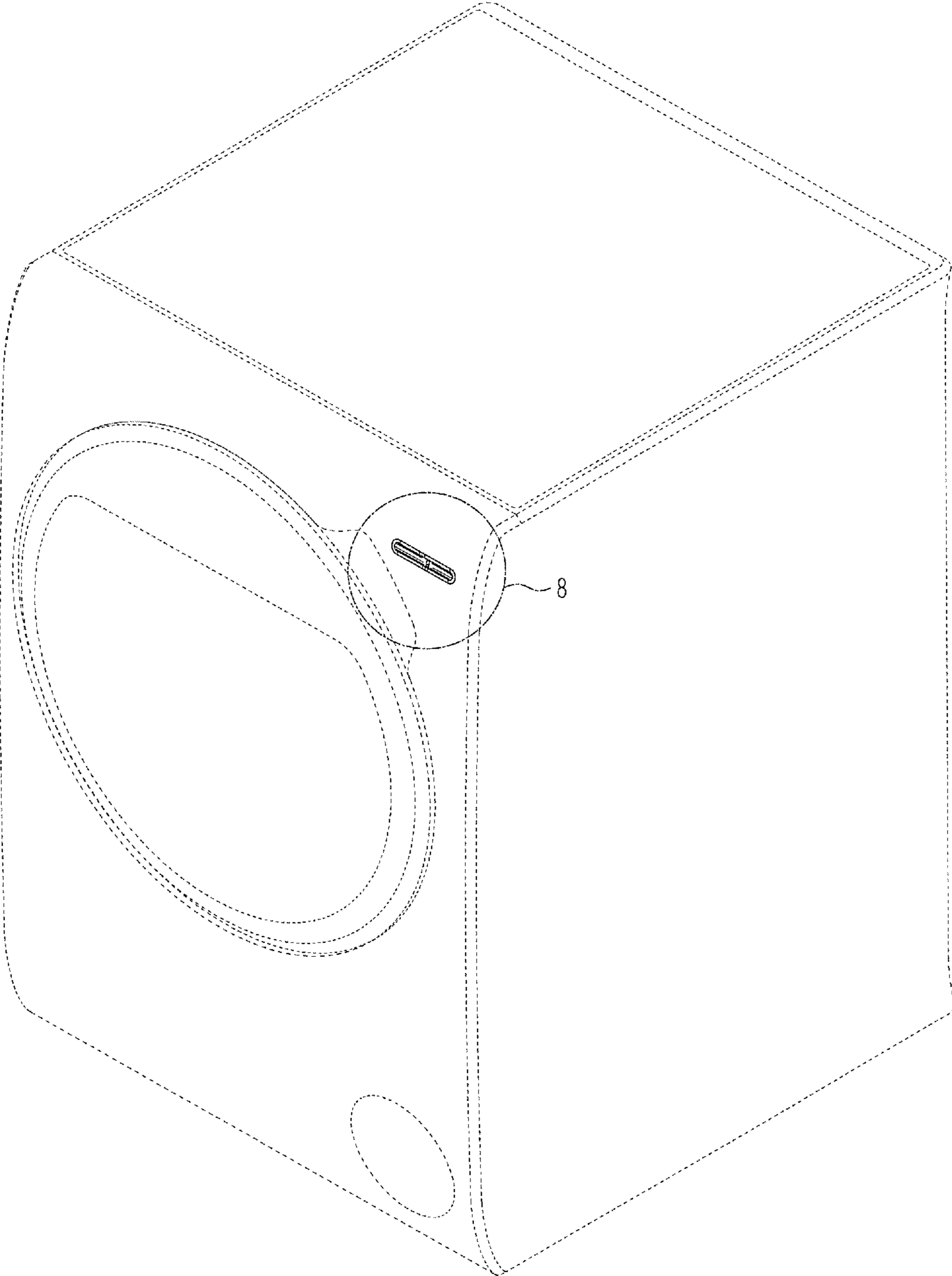


FIG.2

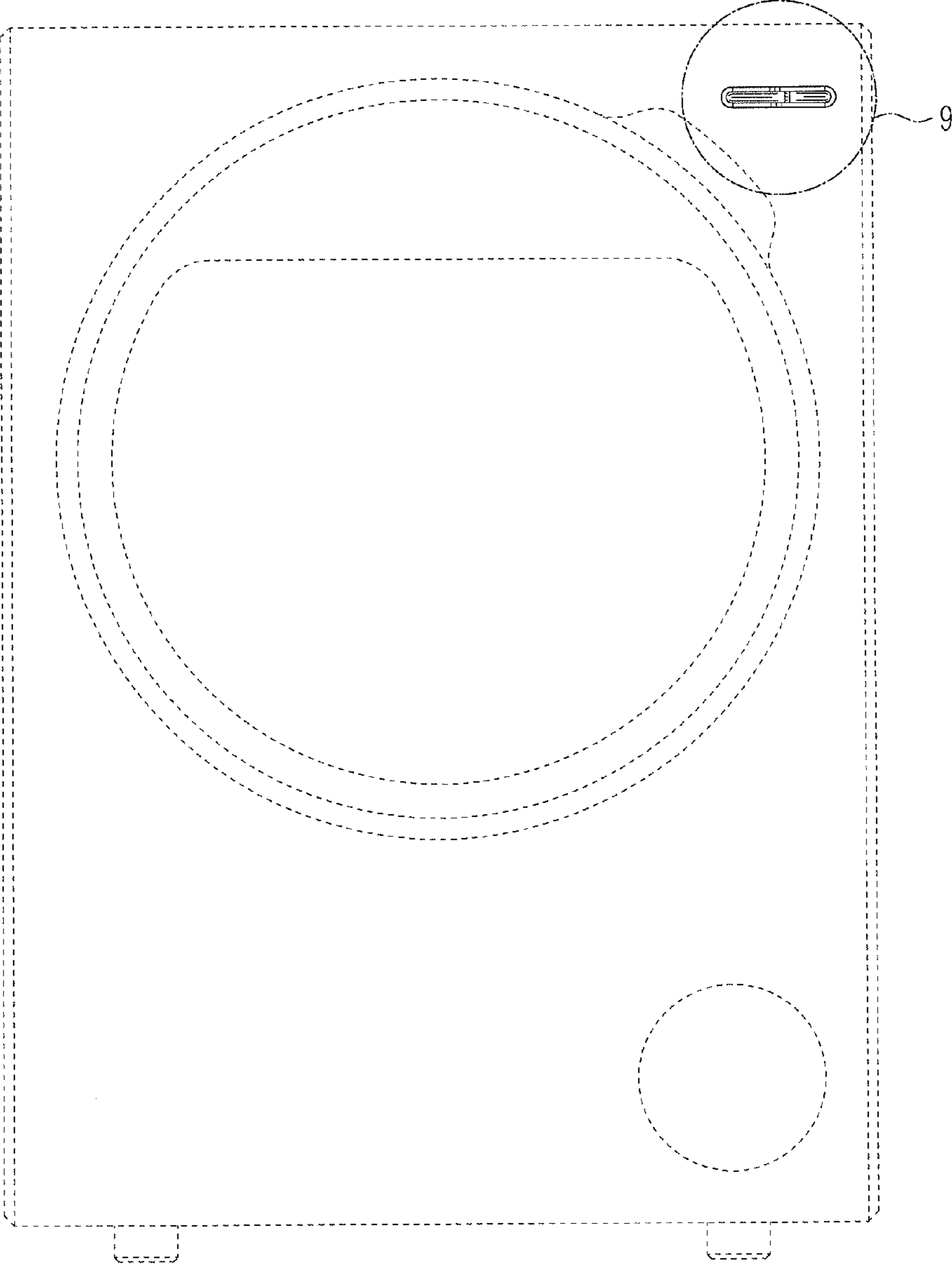


FIG.3

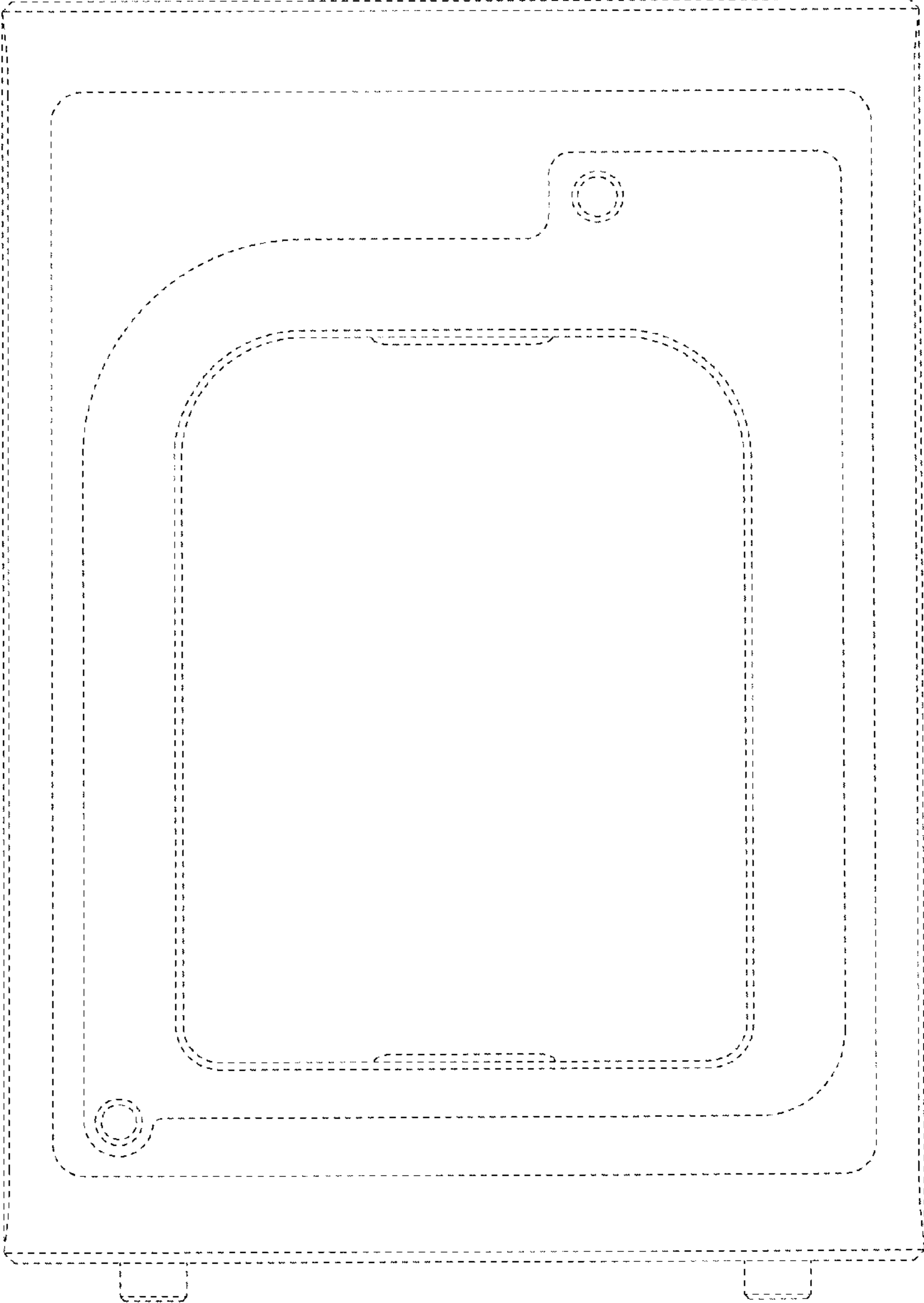


FIG. 4

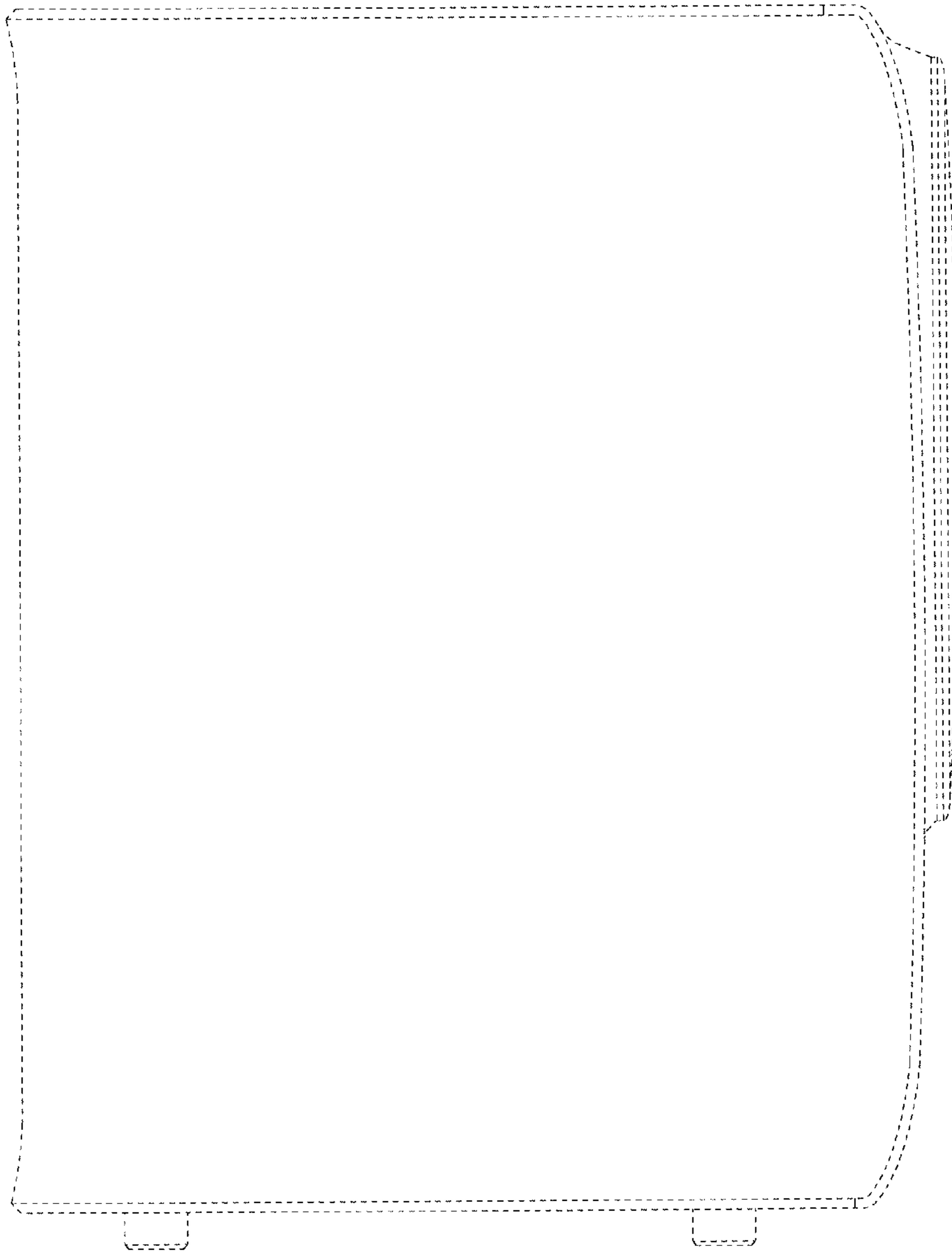




FIG. 5

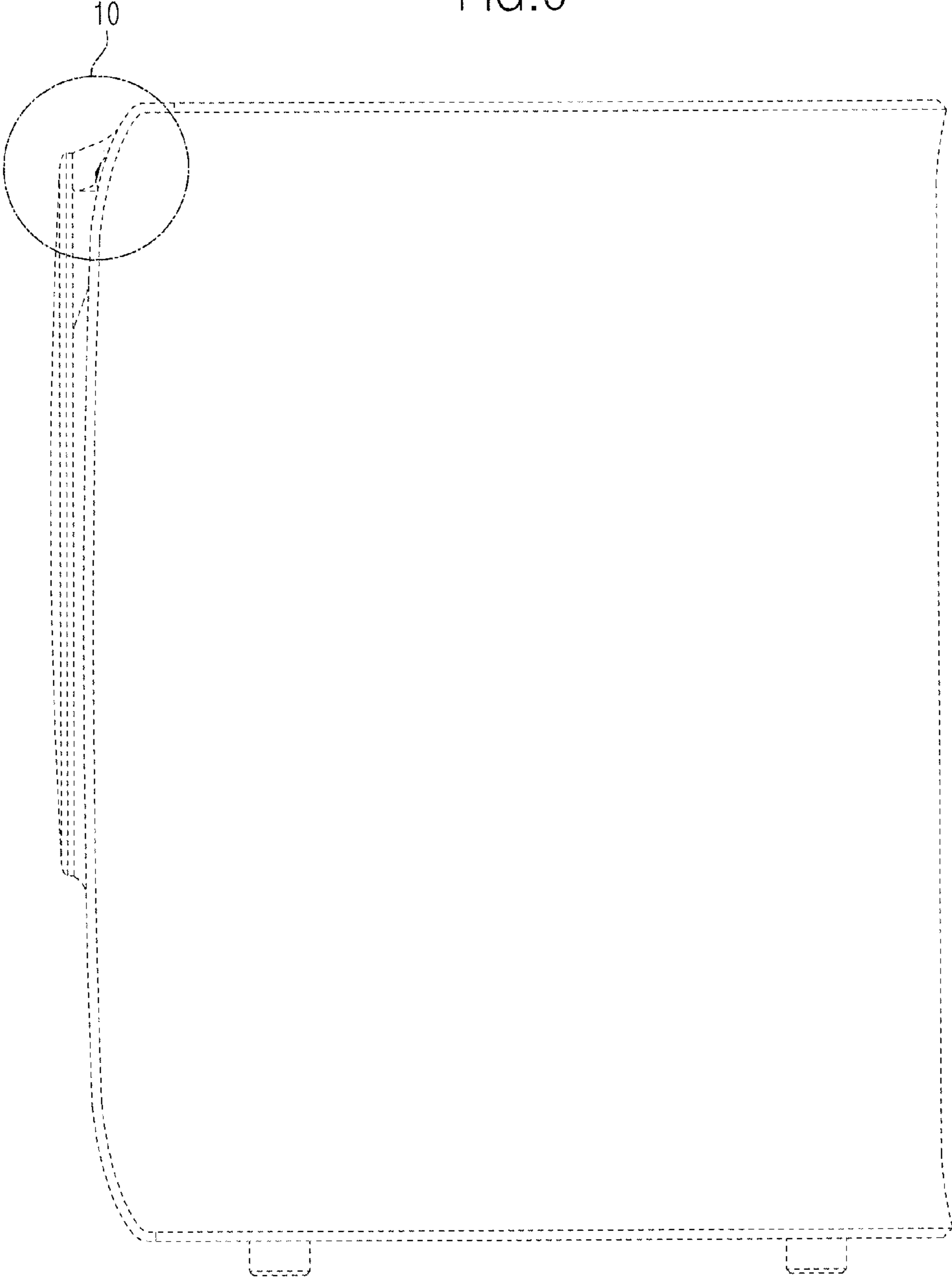


FIG. 6

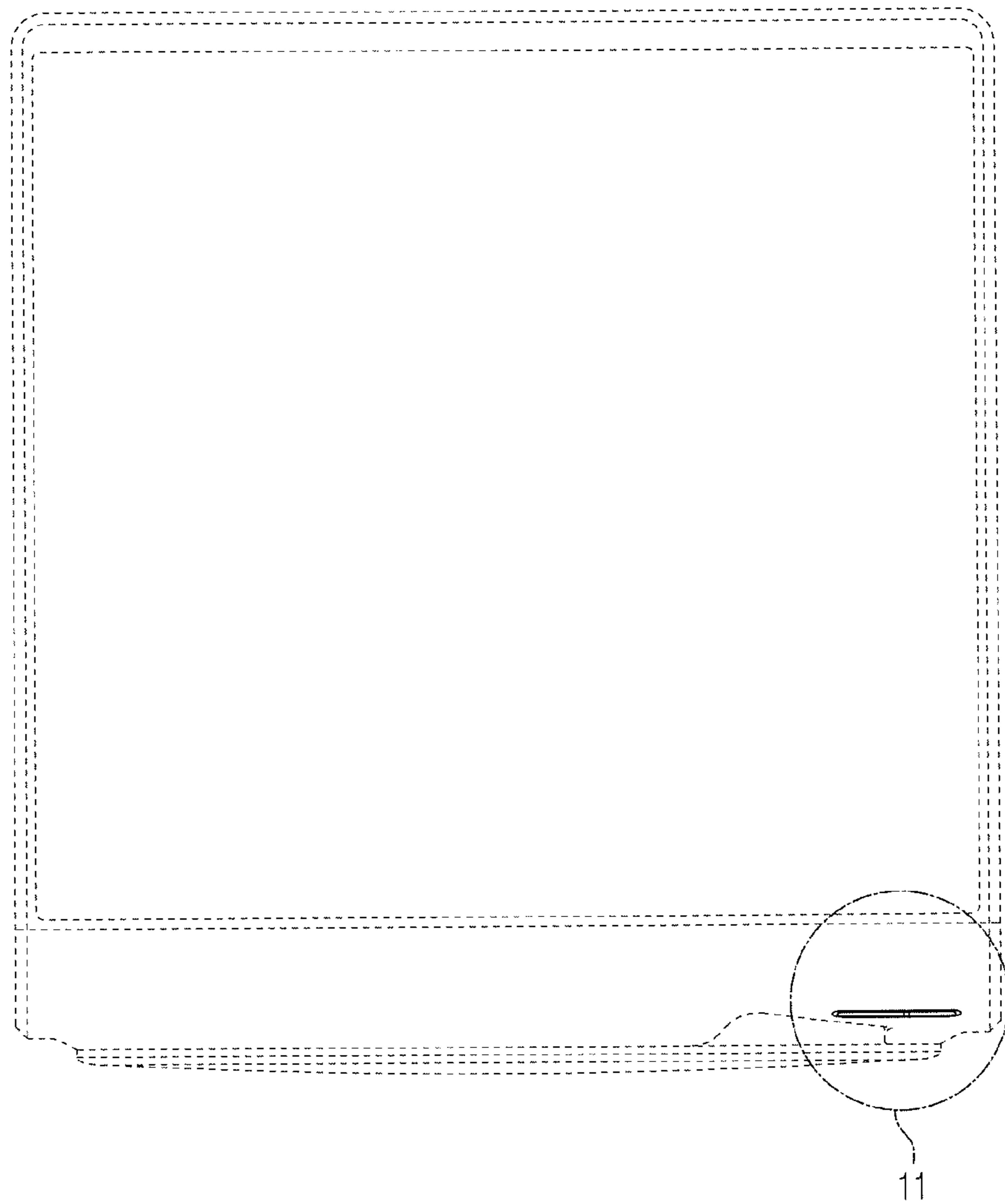




FIG. 7

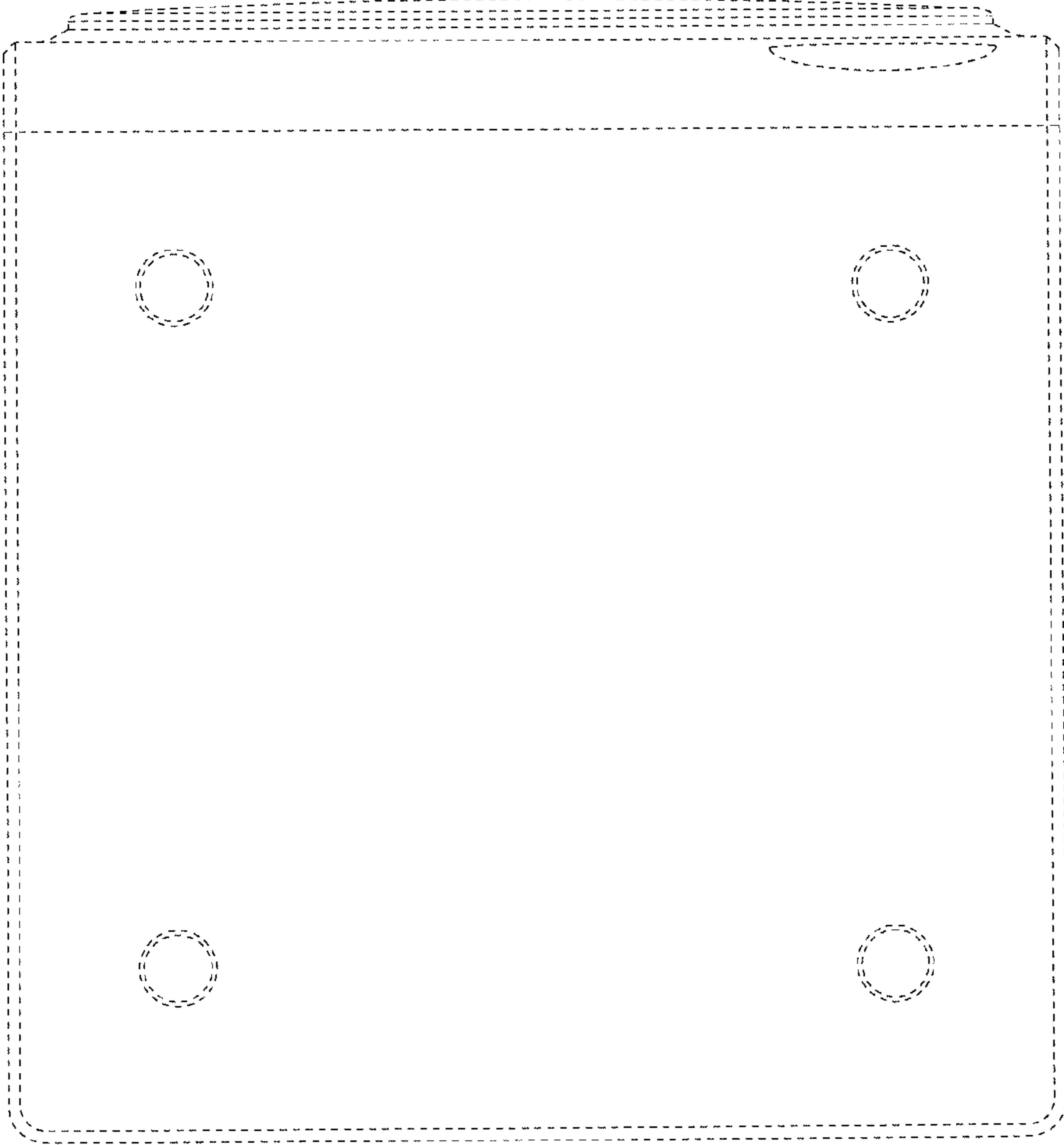


FIG. 8

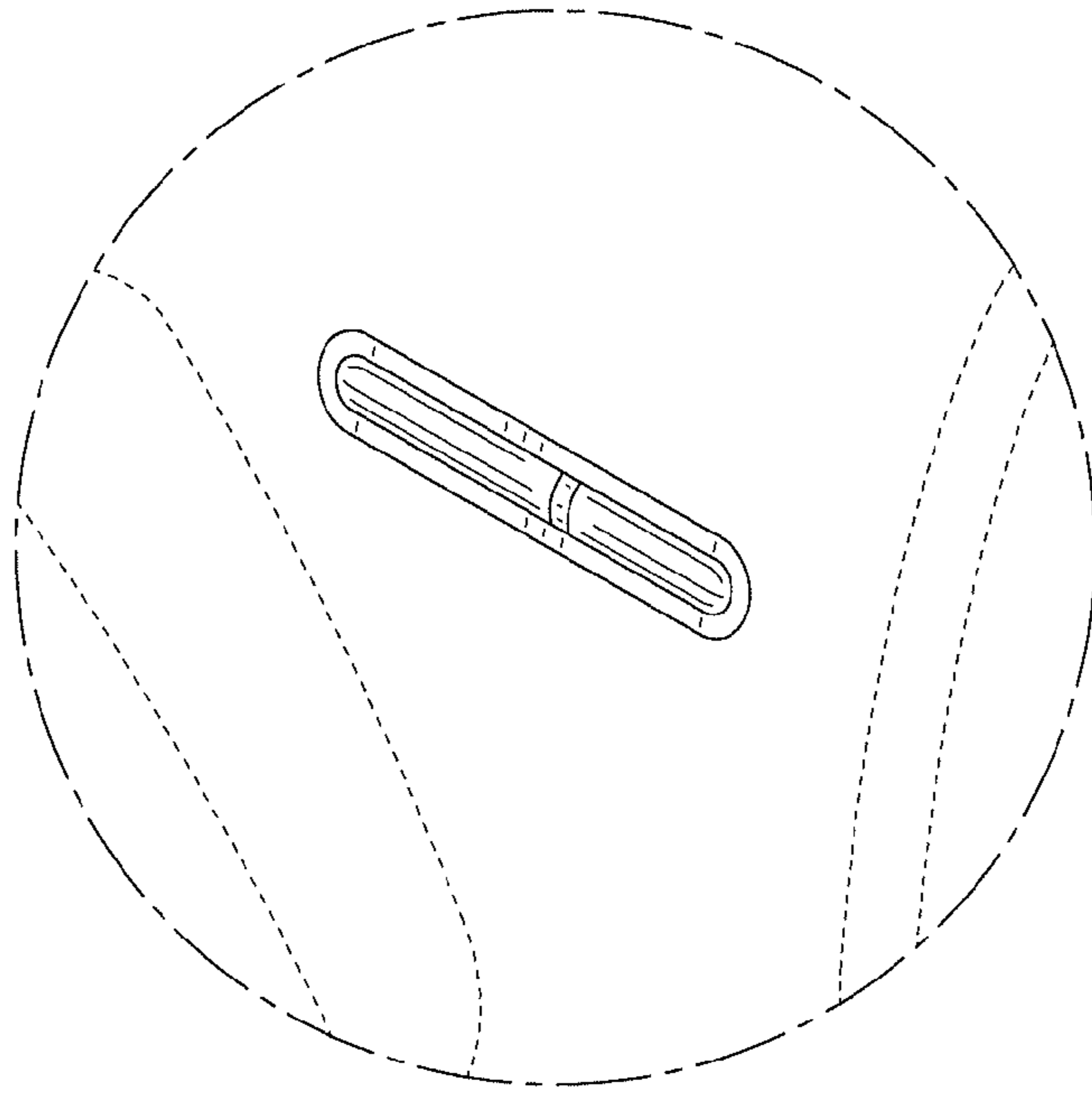


FIG. 9

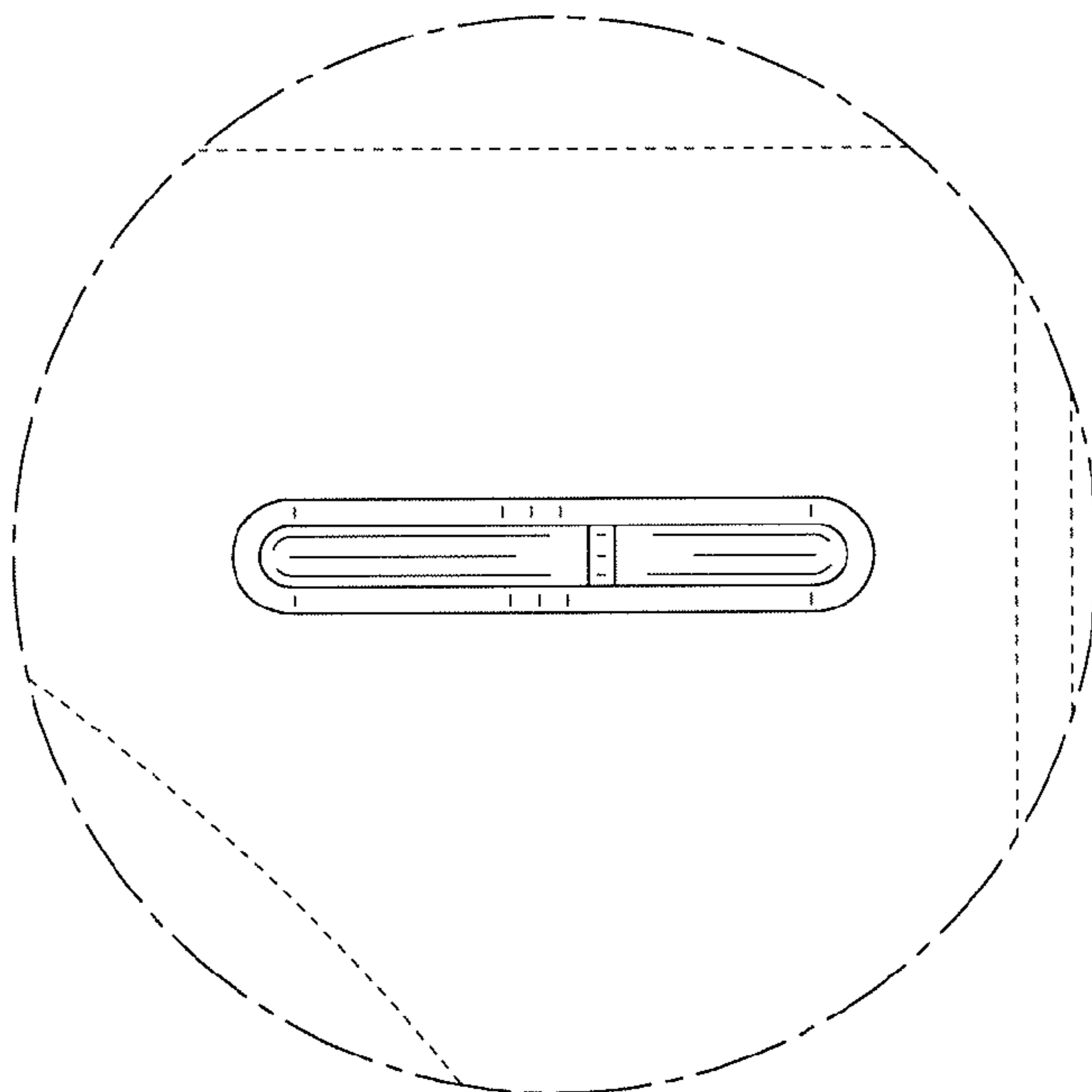


FIG. 10

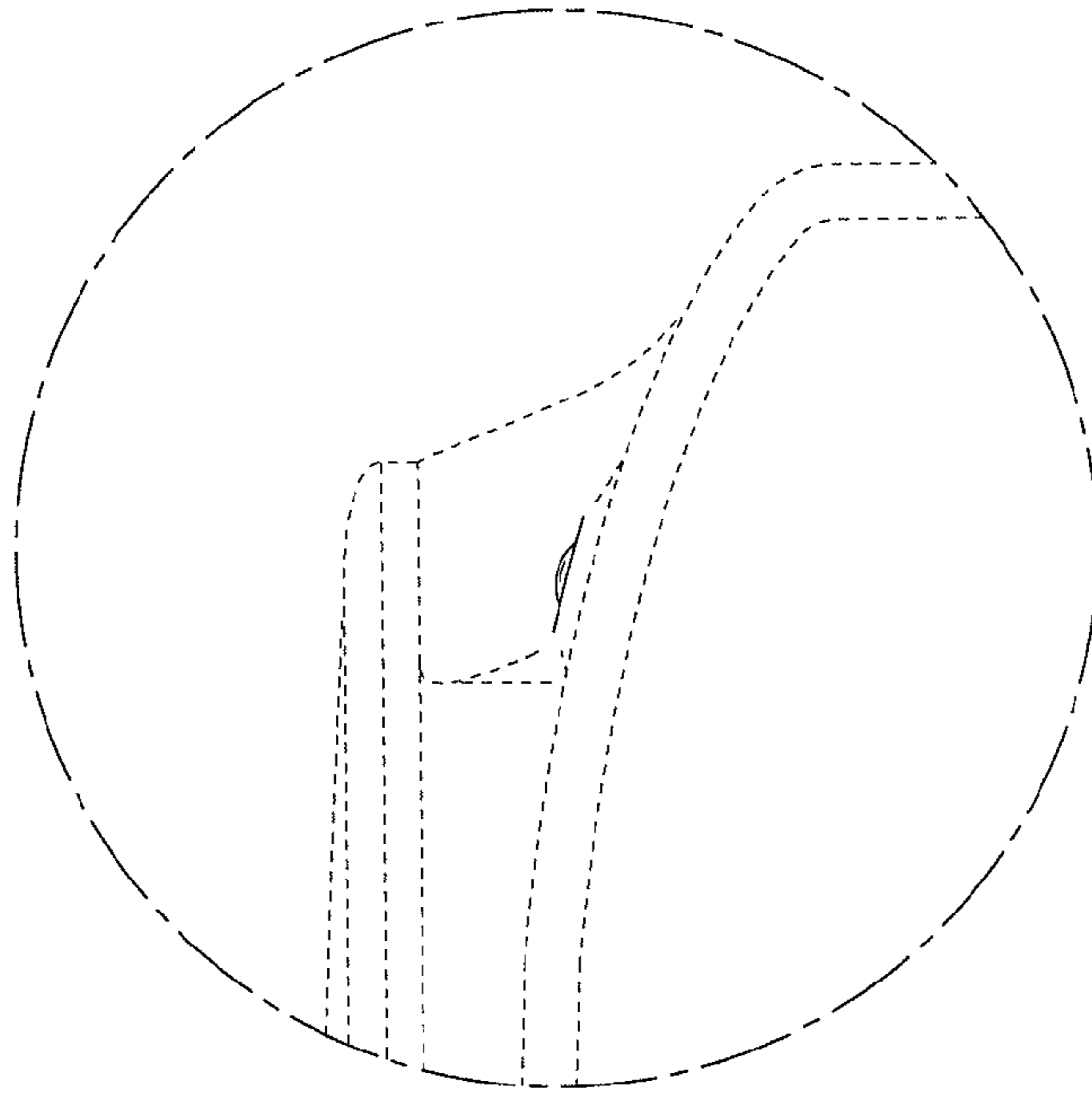


FIG. 11

