



US00D764117S

(12) **United States Design Patent**  
**Fang**

(10) **Patent No.:** **US D764,117 S**

(45) **Date of Patent:** **\*\* Aug. 16, 2016**

- (54) **DRINKING FOUNTAIN FOR PET**
- (71) Applicant: **Shenzhen Xingrisheng Industrial Co., Ltd.**, Shenzhen (CN)
- (72) Inventor: **Kaixiang Fang**, Shenzhen (CN)
- (73) Assignee: **Shenzhen Xingrisheng Industrial Co., Ltd.**, Shenzhen (CN)

CPC ..... A01K 7/00; A01K 7/02; A01K 7/06;  
 A01K 7/04; A01K 7/005; A01K 7/022;  
 A01K 7/025; A01K 7/027; A01K 5/0216;  
 A01K 39/02; F04B 23/00; F04B 23/02;  
 F04B 23/021; F04B 23/026; B05B 17/08;  
 B05B 17/085; B01D 35/30; Y10T 137/86035;  
 Y10T 137/8376; Y10T 137/85954-137/85978  
 See application file for complete search history.

- (\*\*) Term: **15 Years**
- (21) Appl. No.: **29/543,899**
- (22) Filed: **Oct. 29, 2015**

- (30) **Foreign Application Priority Data**  
 Jun. 12, 2015 (CN) ..... 2015 3 0191262
- (51) **LOC (10) Cl.** ..... **30-03**
- (52) **U.S. Cl.**  
 USPC ..... **D30/132**

- (58) **Field of Classification Search**  
 USPC ..... D30/123, 129, 132, 121; 119/69.5, 673,  
 119/57.8, 68, 74, 61.57, 78-81, 61.4, 57.9,  
 119/51.5, 61.5, 72, 475; 47/66.6, 39, 67,  
 47/83; 239/280, 200, 281, 280.5, 273,  
 239/16-32; 4/644, 627, 638; D7/558;  
 D11/144, 145, 153; D99/5, 24; 27/1;  
 D23/201, 292, 204, 205, 214-216;  
 248/127, 132, 137, 138, 158, 910;  
 215/10; D6/353, 352, 484, 360, 480,  
 D6/488; 219/521; 329/442, 459; 99/452,  
 99/483; 40/406, 407; 261/29, 106, 73;  
 137/560, 563, 801; 55/385.2; 417/527,  
 417/313; 431/292-294, 289; 362/101;  
 D26/6, 9

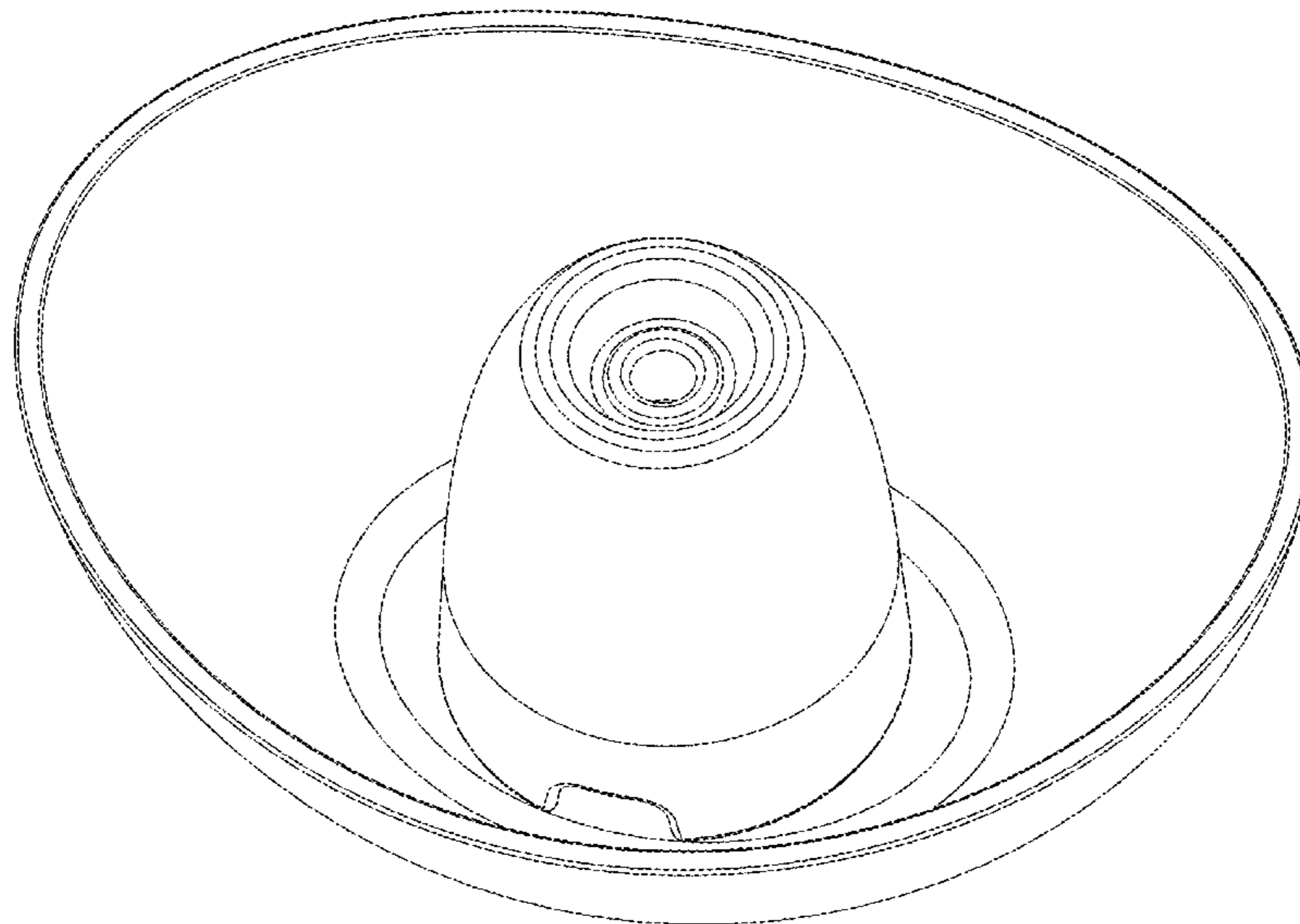
(56) **References Cited**  
 U.S. PATENT DOCUMENTS  
 3,491,724 A \* 1/1970 Sunner ..... A01K 5/0114  
 119/61.54  
 6,257,560 B1 \* 7/2001 Kim ..... B01D 47/06  
 239/17  
 D681,888 S \* 5/2013 Fang ..... D30/132  
 D694,477 S \* 11/2013 Rowe ..... D30/132  
 D704,903 S \* 5/2014 Fang ..... D30/132  
 D738,579 S \* 9/2015 Owens ..... D30/132  
 D755,449 S \* 5/2016 Cornwell, Jr. .... D30/132  
 2011/0067638 A1 \* 3/2011 Lipscomb ..... A01K 7/02  
 119/74

\* cited by examiner  
*Primary Examiner* — Susan Moon Lee

(57) **CLAIM**  
 I claim the ornamental design for a drinking fountain for pet,  
 as shown and described.

**DESCRIPTION**  
 FIG. 1 is a perspective view of the drinking fountain for pet  
 showing my new design;  
 FIG. 2 is a front view thereof;  
 FIG. 3 is a back view thereof;  
 FIG. 4 is a left side view thereof;  
 FIG. 5 is a right side view thereof;  
 FIG. 6 is a top plan view thereof; and,  
 FIG. 7 is a bottom plan view thereof.

**1 Claim, 5 Drawing Sheets**



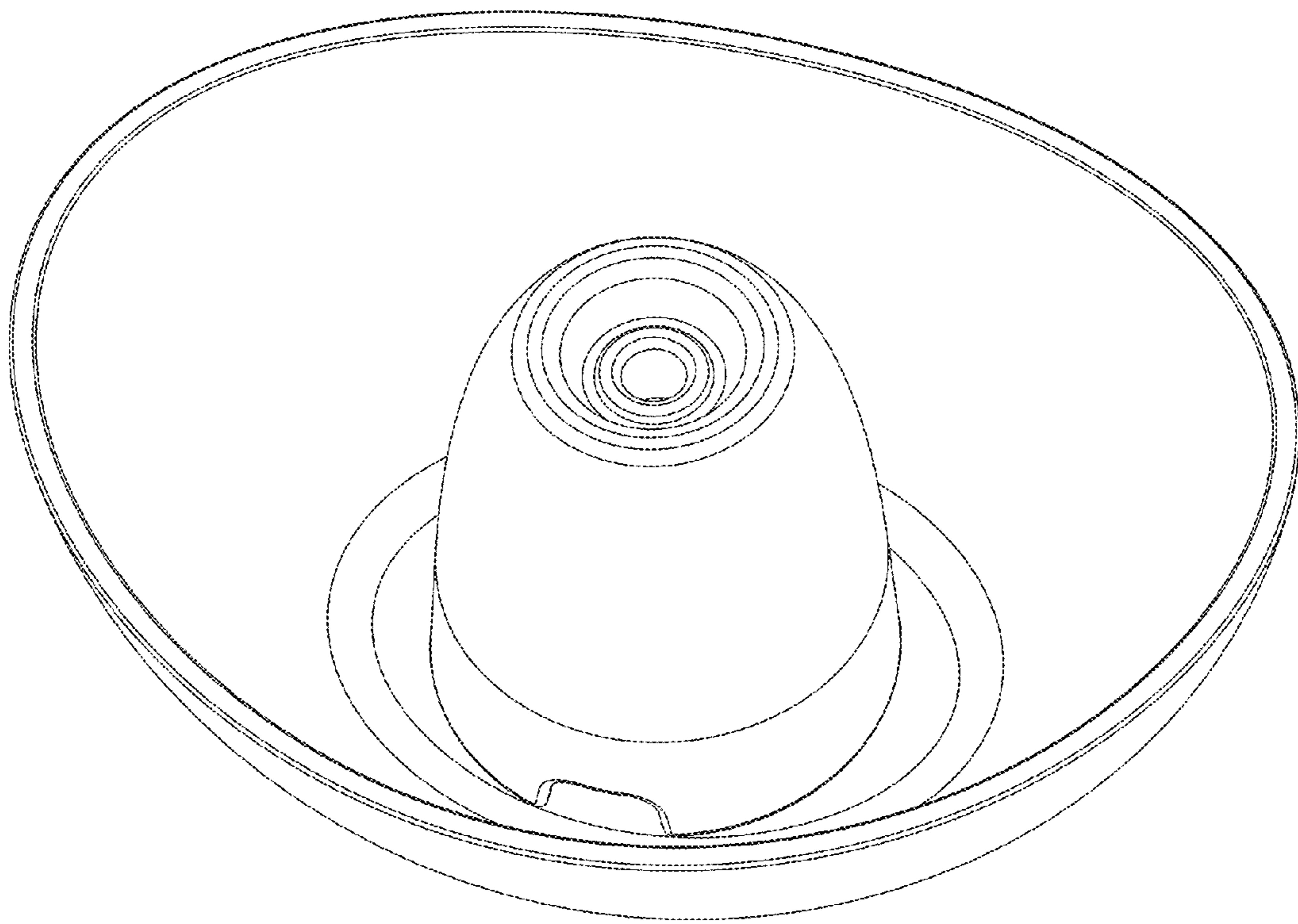


Fig.1

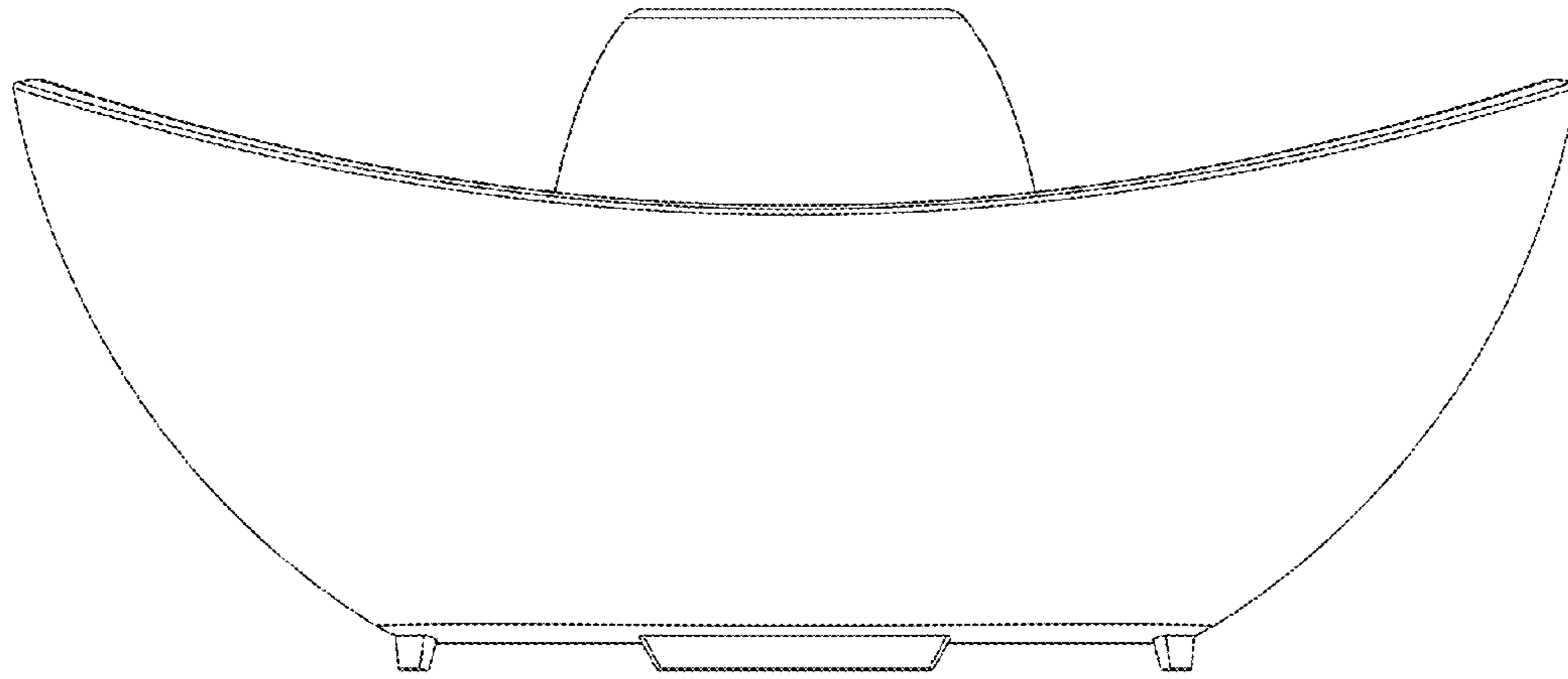


Fig.2

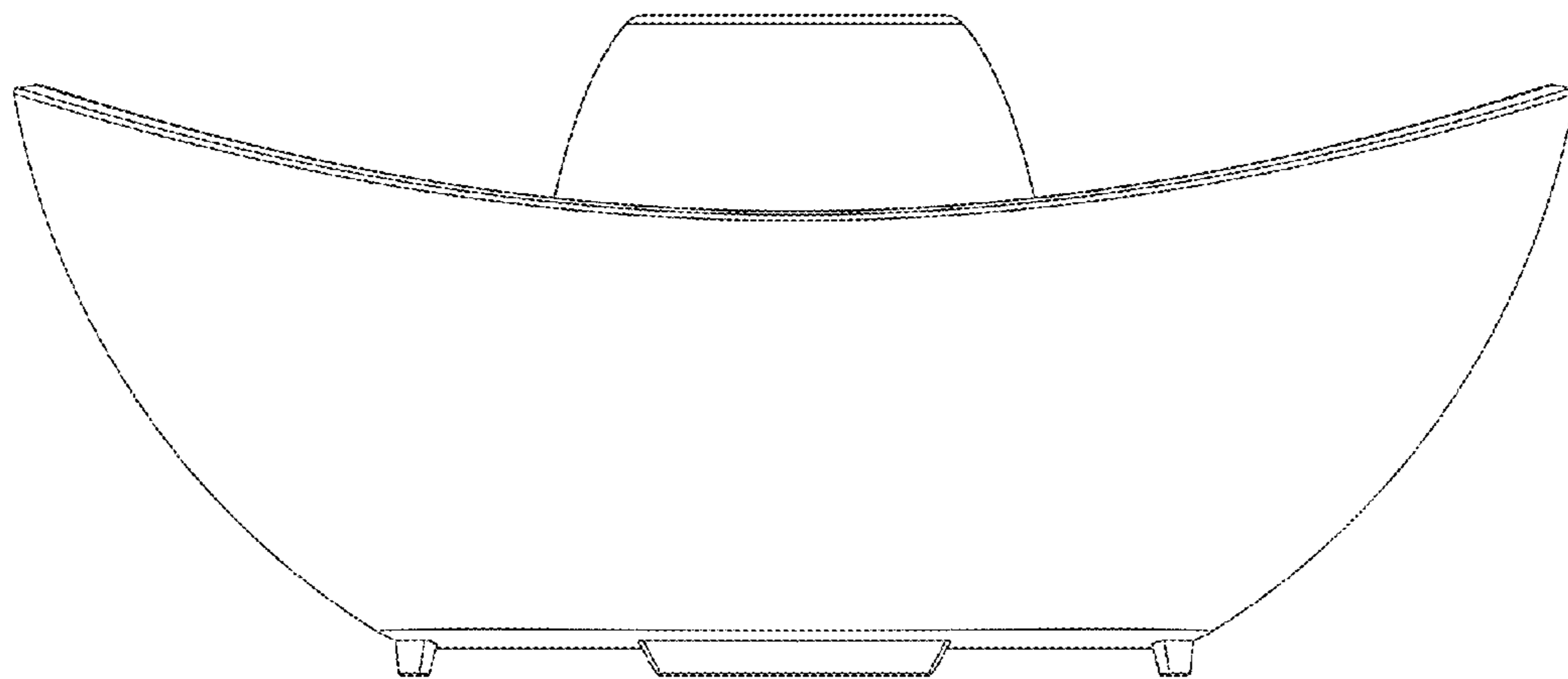


Fig.3

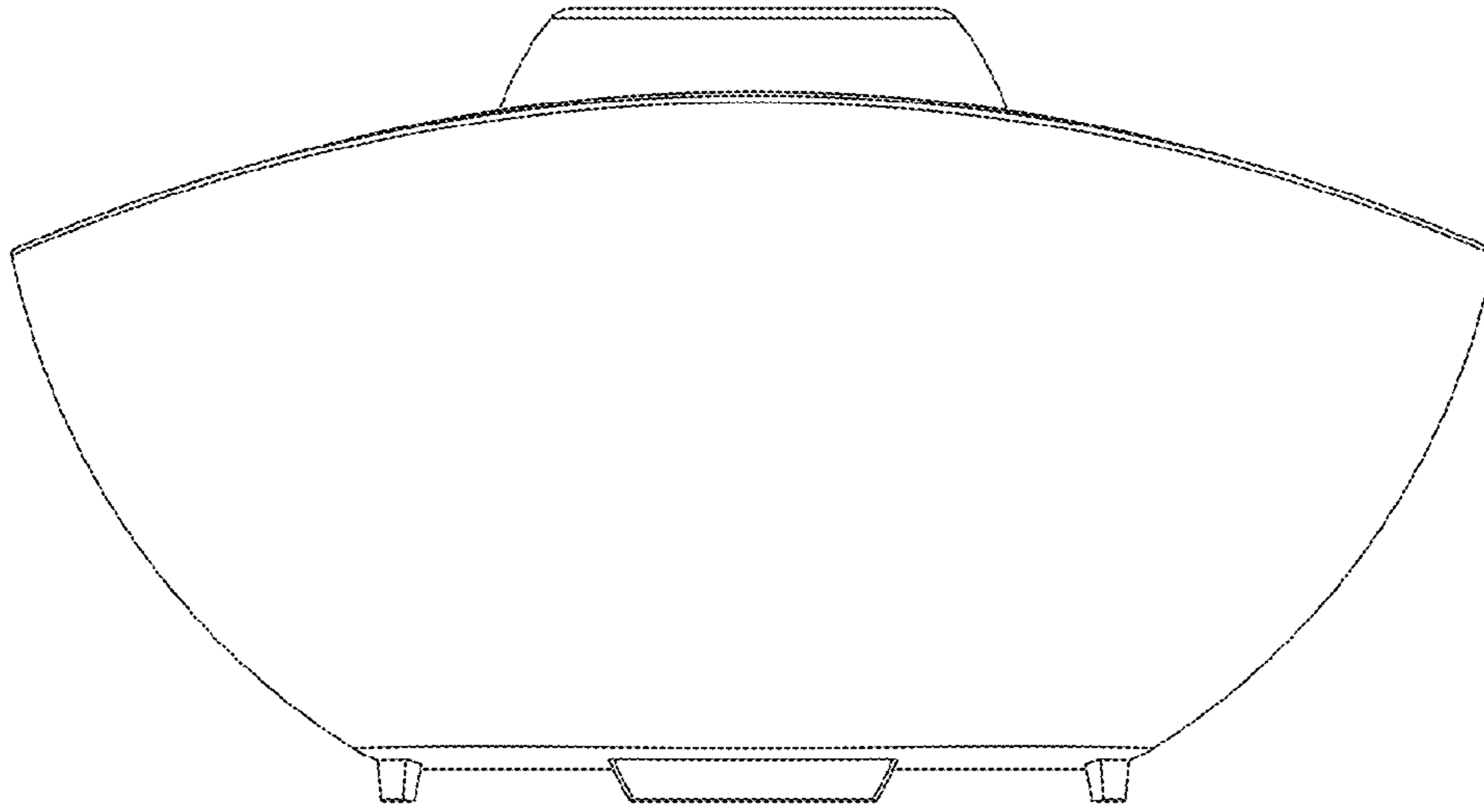


Fig.4

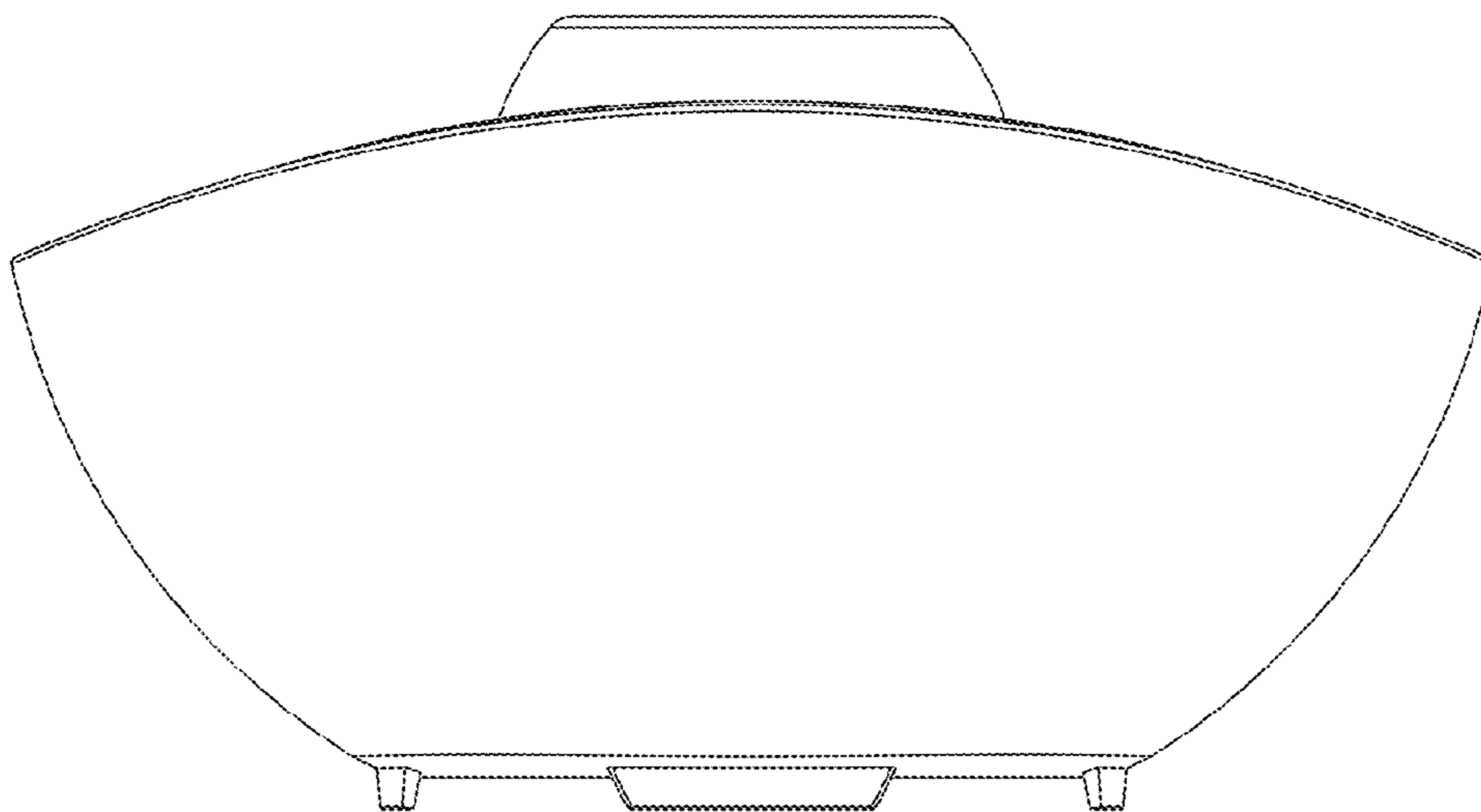


Fig.5

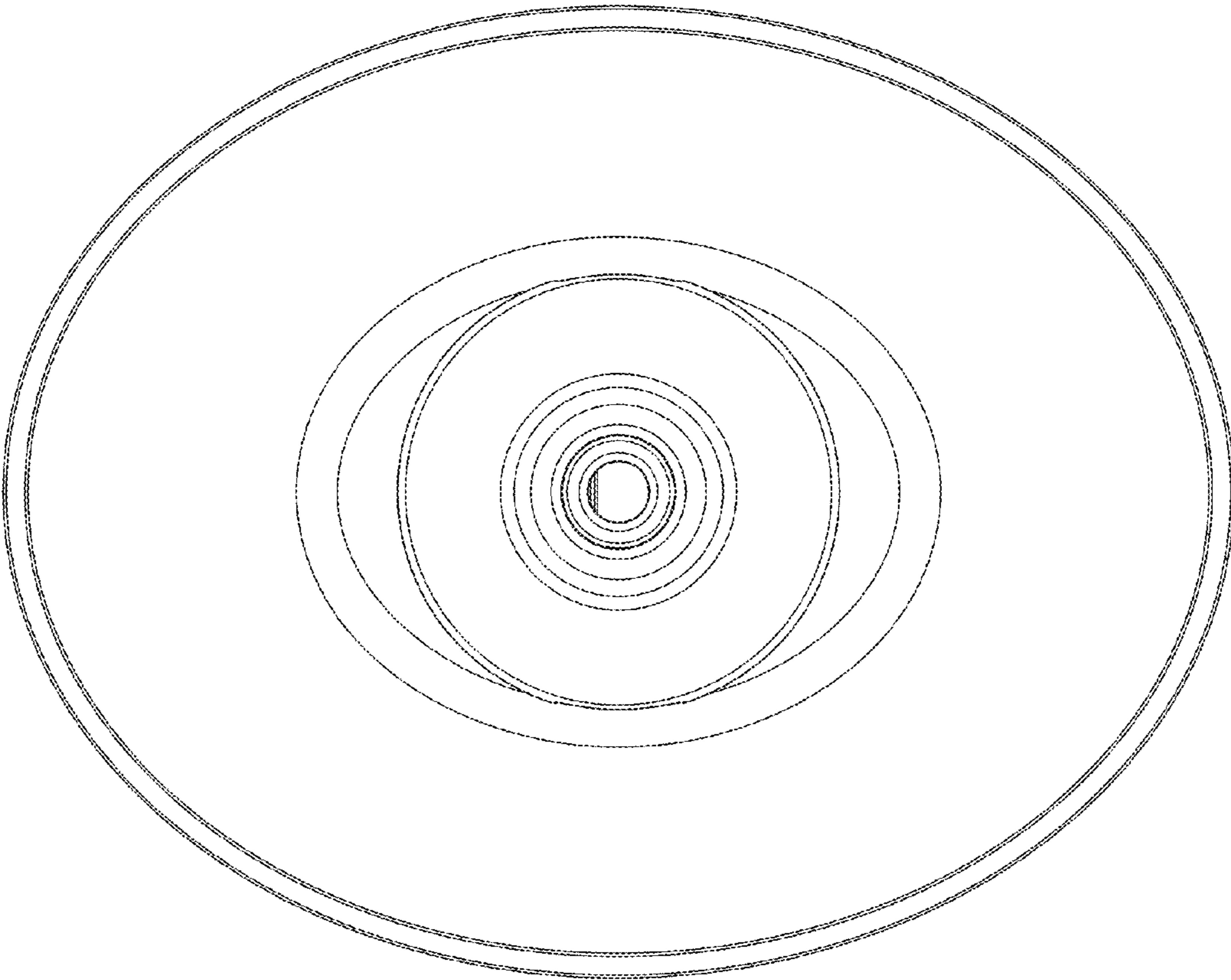


Fig.6

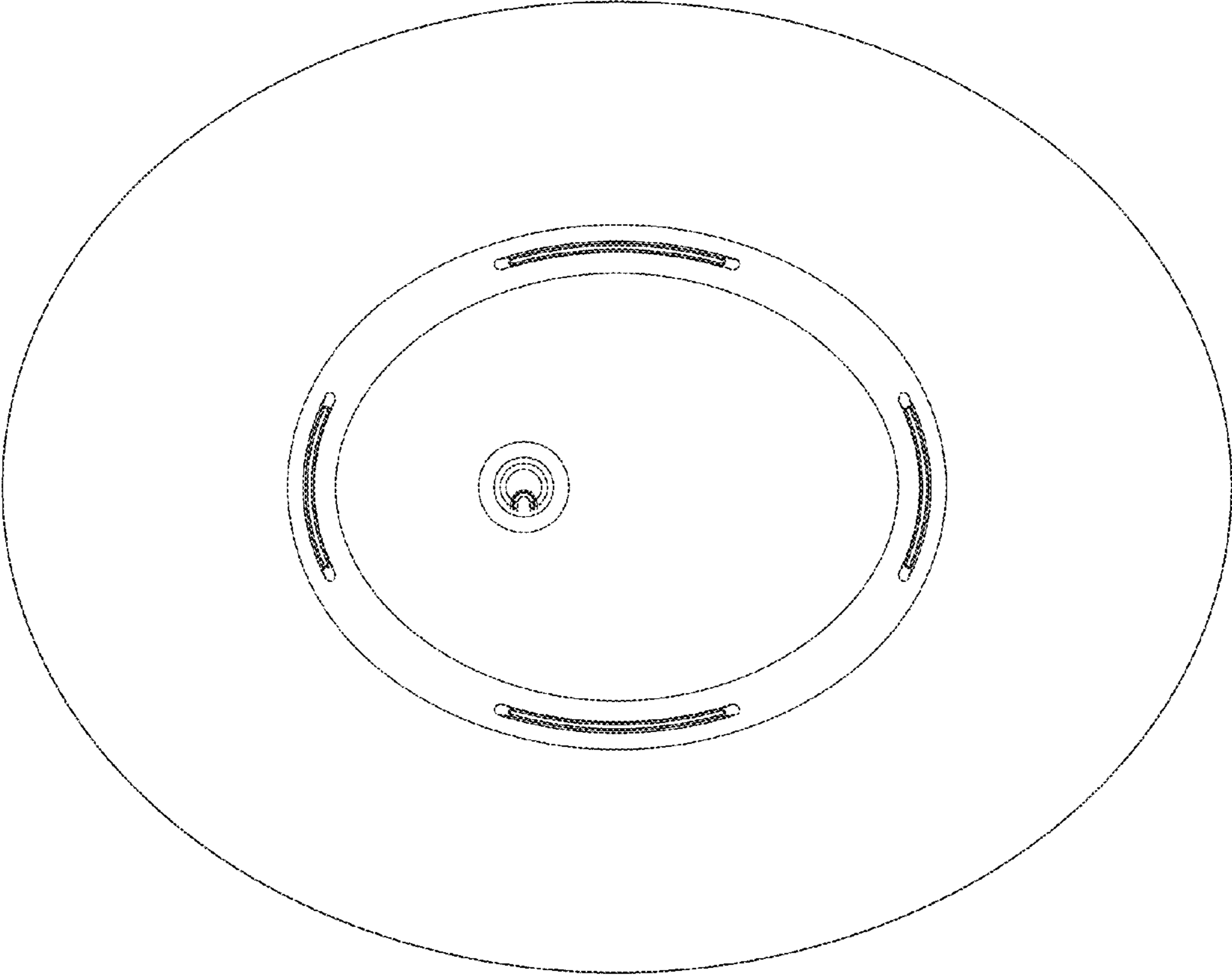


Fig.7