



US00D764108S

(12) **United States Design Patent**
Teller et al.

(10) **Patent No.:** **US D764,108 S**

(45) **Date of Patent:** **** *Aug. 16, 2016**

(54) **COSMETIC PRODUCT CONTAINER**

(71) Applicant: **EOS PRODUCTS, LLC**, New York, NY (US)

(72) Inventors: **Jonathan Teller**, New York, NY (US);
Sanjiv Mehra, New York, NY (US);
Peter Waxman, New York, NY (US);
Joseph Speter, New York, NY (US);
Sherry Jhawar, New York, NY (US);
Hamish Campbell, New York, NY (US)

(73) Assignee: **EOS PRODUCTS, LLC**, New York, NY (US)

(*) Notice: This patent is subject to a terminal disclaimer.

(**) Term: **14 Years**

(21) Appl. No.: **29/488,094**

(22) Filed: **Apr. 15, 2014**

(51) **LOC (10) Cl.** **28-03**

(52) **U.S. Cl.**
USPC **D28/82; D28/88; D9/519; D9/552; D9/554**

(58) **Field of Classification Search**

USPC D28/85-91, 82, 76-79, 4-7, 8.1, 8.2, 9;
D9/502, 570, 503, 504, 519, 552, 554,
D9/557, 564, 566, 567, 600, 726, 601, 551,
D9/521, 416, 529, 438, 435; D24/101,
D24/102; D1/127, 130; D5/43, 44, 56, 59,
D5/60, 62, 55; 132/316, 317, 318, 320;
206/581, 823, 385; D3/265, 270,
D3/271.1; 424/467; D14/489
CPC B65D 1/00; B65D 3/00; B65D 5/00;
B65D 11/00; B65D 25/00; B65D 81/00

See application file for complete search history.

(56) **References Cited**

U.S. PATENT DOCUMENTS

1,852,455 A	4/1932	Friedman	
2,745,642 A *	5/1956	Hermann	366/130
3,167,079 A *	1/1965	Weil	134/137
3,292,840 A *	12/1966	Schmidt	220/4.25
3,494,515 A *	2/1970	Fattori	222/548
4,765,501 A *	8/1988	Kao	220/4.21
5,044,496 A	9/1991	Tanaka	
D322,558 S *	12/1991	Halm et al.	D32/29.1
D378,275 S *	3/1997	Rusnock et al.	D9/545

(Continued)

FOREIGN PATENT DOCUMENTS

JP	1136041 S	3/2002
JP	2001321140 A	11/2004

OTHER PUBLICATIONS

SIPO Office Action issued Jul. 17, 2014 in connection with CN Appl. No. 201080063211.X.

Primary Examiner — Marianne Pandozzi

Assistant Examiner — Jae Liang

(74) *Attorney, Agent, or Firm* — Martin & Ferraro, LLP

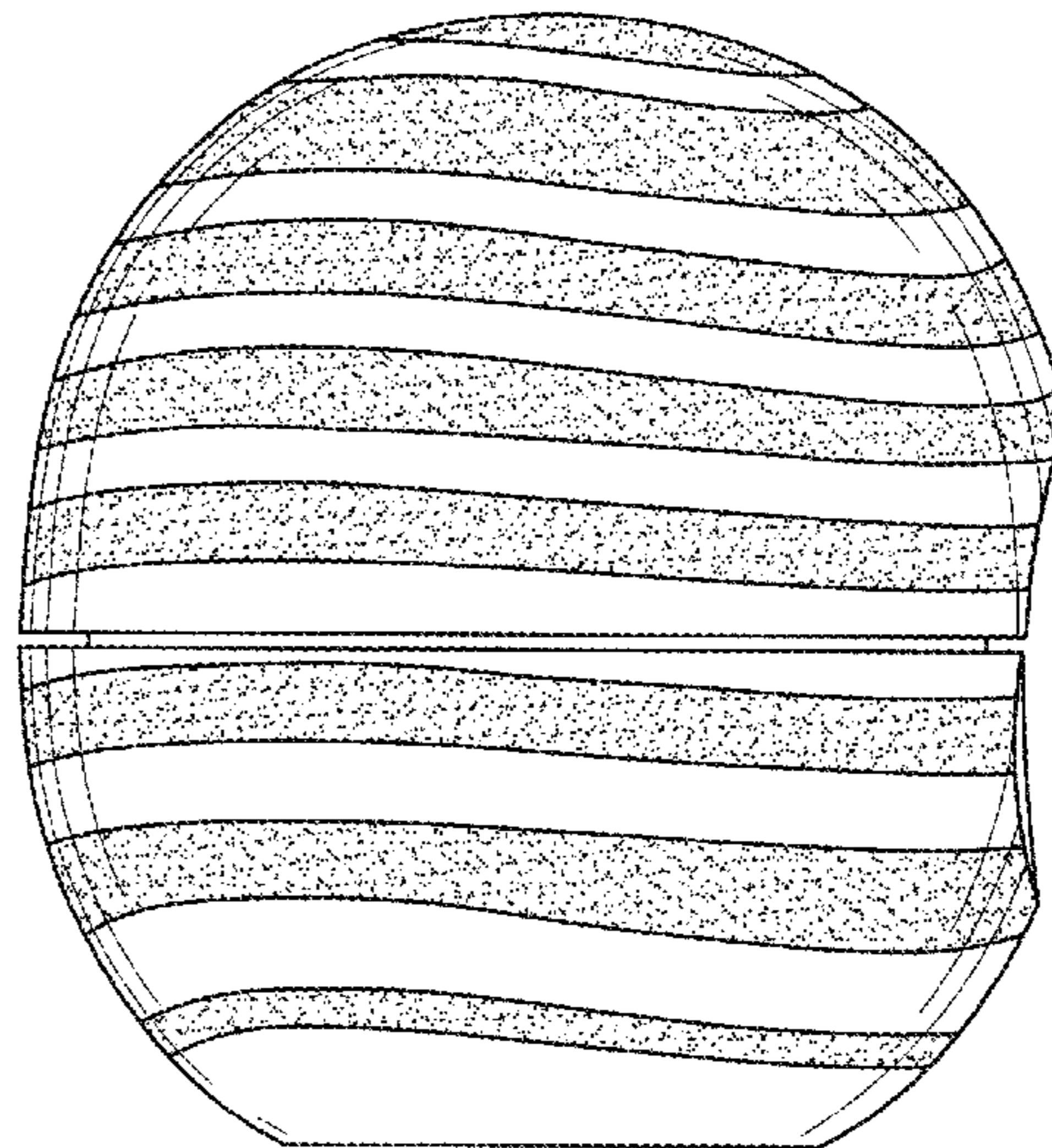
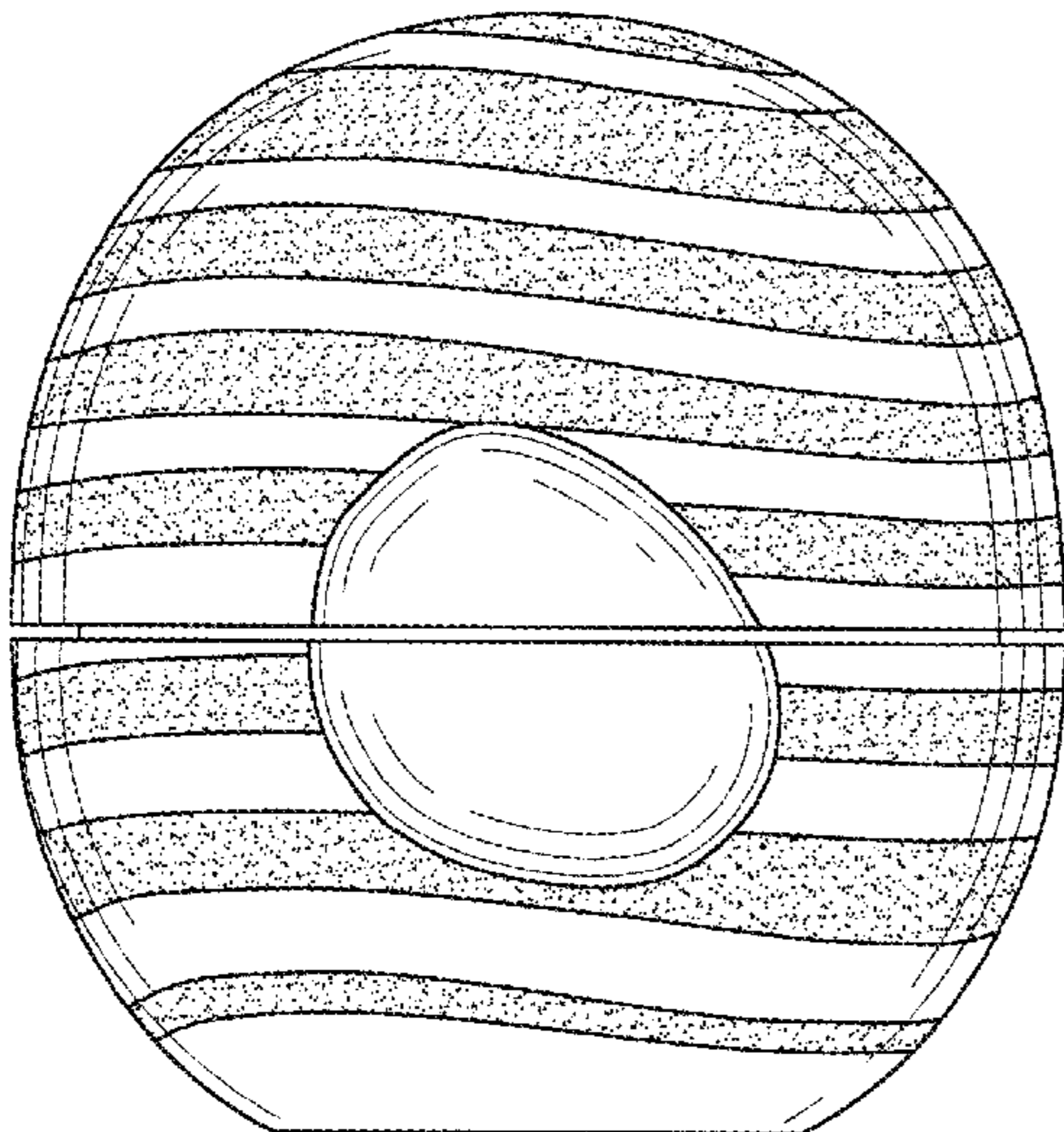
(57) **CLAIM**

The ornamental design for a cosmetic product container, as shown and described.

DESCRIPTION

FIG. 1 is a front elevational view of a cosmetic product container showing my new design;
FIG. 2 is a right side elevational view thereof;
FIG. 3 is a left side elevational view thereof;
FIG. 4 is a rear elevational view thereof;
FIG. 5 is a top plan view thereof; and,
FIG. 6 is a bottom plan view thereof.
The stippling in FIGS. 1-6 shows contrast in appearance.
The broken lines in the drawing depict portions of the cosmetic product container that form no part of the claimed design.

1 Claim, 3 Drawing Sheets



(56)

References Cited

U.S. PATENT DOCUMENTS

D396,382 S *	7/1998	Hsu	D7/599	D564,900 S *	3/2008	Green et al.	D9/715
D403,123 S *	12/1998	Sgariboldi	D28/76	D570,219 S *	6/2008	Blasko	D9/516
6,193,427 B1	2/2001	Benguigui			D579,213 S *	10/2008	Aipa	D5/53
D443,826 S *	6/2001	Gnann et al.	D9/537	D592,064 S *	5/2009	Kilany	D9/519
D450,882 S *	11/2001	Colwell et al.	D28/4	D592,512 S *	5/2009	Dubitsky et al.	D9/516
D452,586 S *	12/2001	Look	D28/4	D599,560 S *	9/2009	Sharma	D5/59
D452,588 S *	12/2001	Look	D28/4	D609,107 S *	2/2010	Dubitsky et al.	D9/551
6,391,972 B1	5/2002	Hatakeyama			D612,245 S *	3/2010	Canamasas Puigbo	D9/519
D465,609 S *	11/2002	Jackel-Marken	D28/4	D625,469 S *	10/2010	Dubitsky et al.	D28/84
D465,733 S *	11/2002	Hill	D9/519	D631,204 S *	1/2011	Dubitsky et al.	D28/82
D472,014 S *	3/2003	Jackel-Marken	D28/4	D644,939 S *	9/2011	Teller	D9/726
D512,199 S *	12/2005	Ibanez	D1/129	8,444,337 B2 *	5/2013	Teller	401/88
D516,431 S *	3/2006	Vintro	D9/521	D688,000 S *	8/2013	Johnson et al.	D28/4
D525,437 S *	7/2006	Leisch et al.	D5/53	D689,366 S *	9/2013	Kohne et al.	D9/504
D537,563 S *	2/2007	Taniguchi et al.	D28/4	D695,552 S *	12/2013	Gatto	D6/606
D541,052 S *	4/2007	Miller et al.	D5/53	D705,988 S *	5/2014	Scott et al.	D28/7
D552,997 S *	10/2007	Blasko	D9/521	D708,726 S *	7/2014	Gordon et al.	D23/356
D554,529 S *	11/2007	Green et al.	D9/726	D710,544 S *	8/2014	Shen	D28/77
					D715,142 S *	10/2014	Allen et al.	D9/434
					D726,028 S *	4/2015	Thompson	D9/726

* cited by examiner

FIG. 1

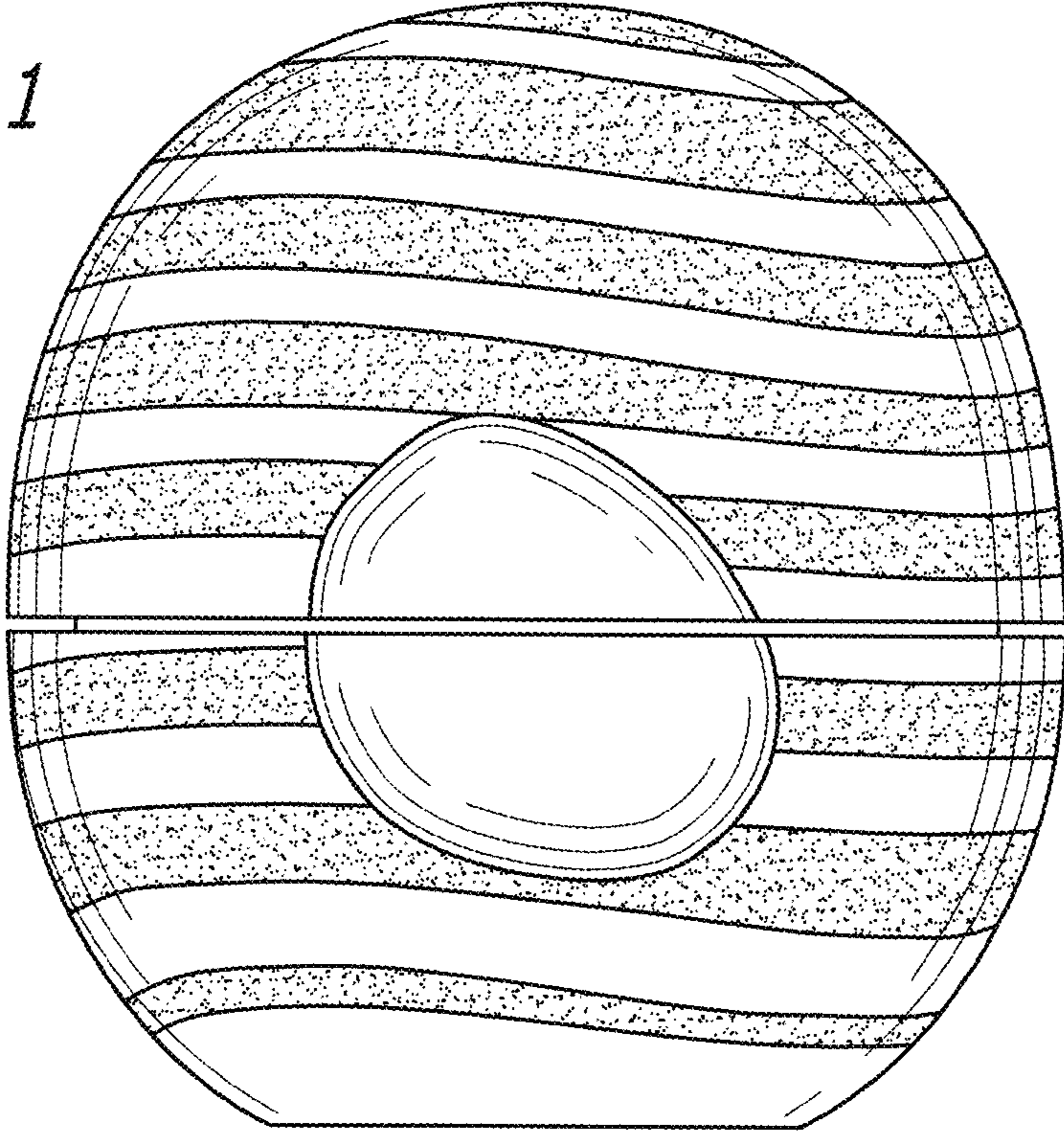


FIG. 2

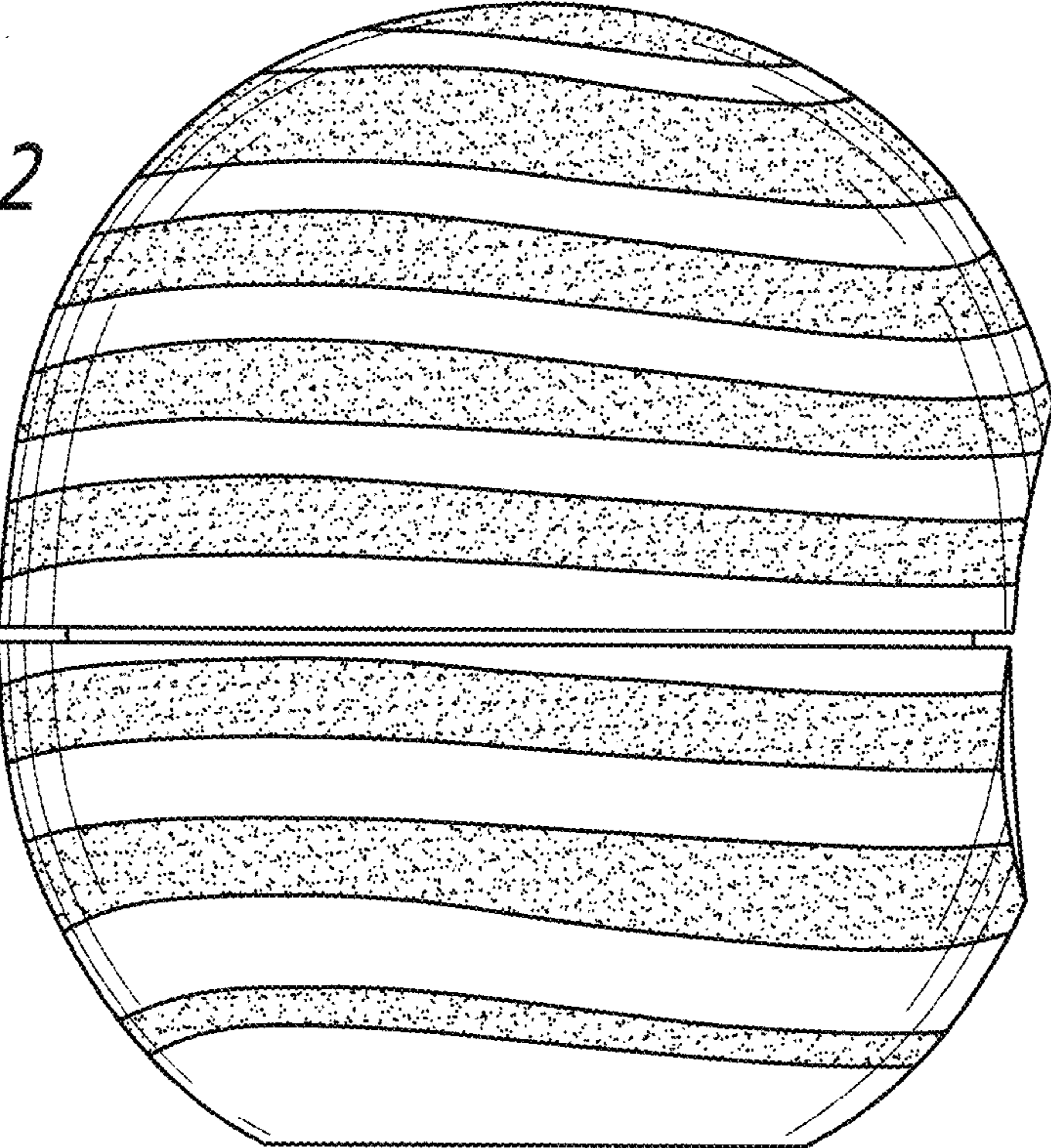


FIG. 3

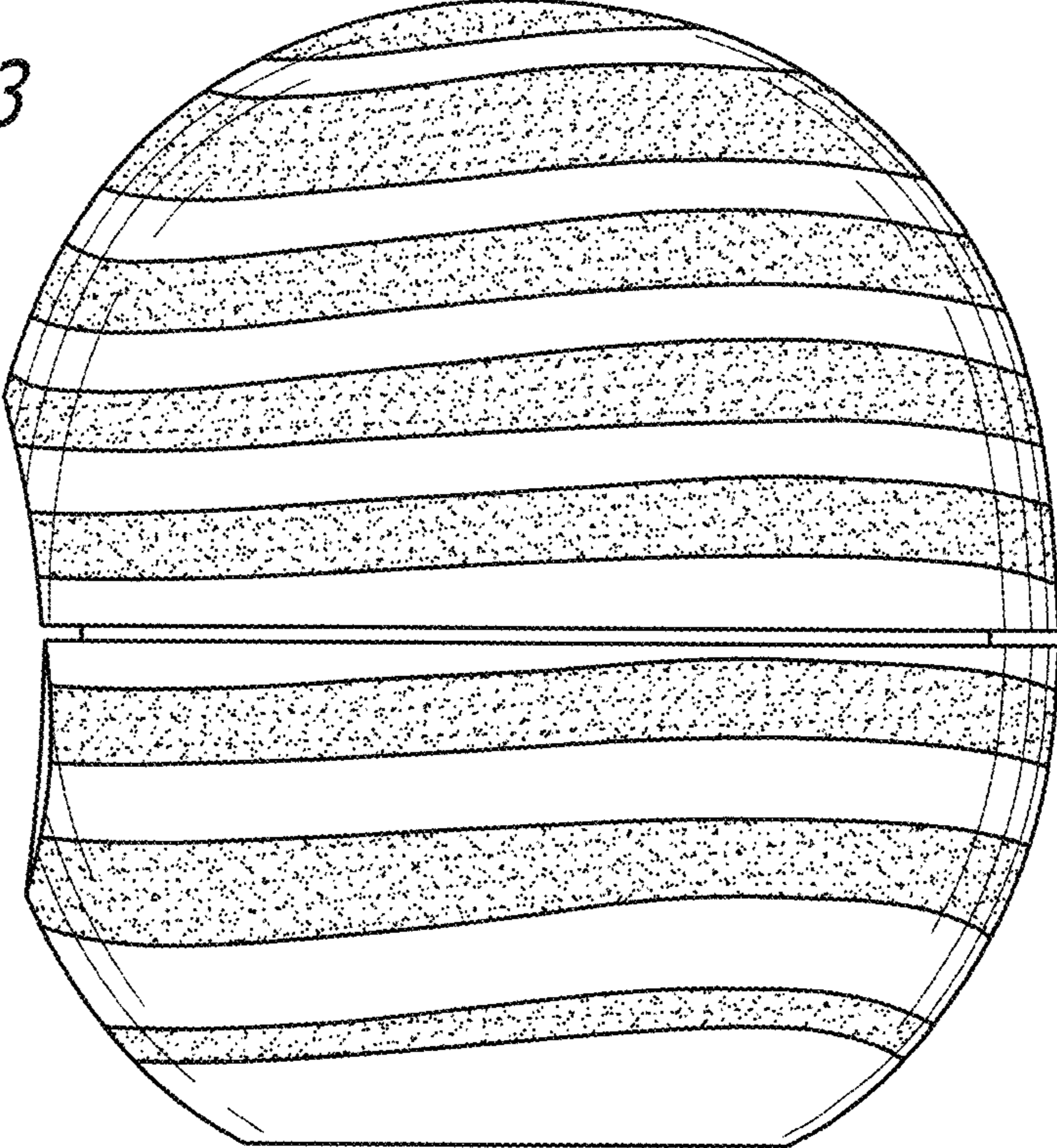


FIG. 4

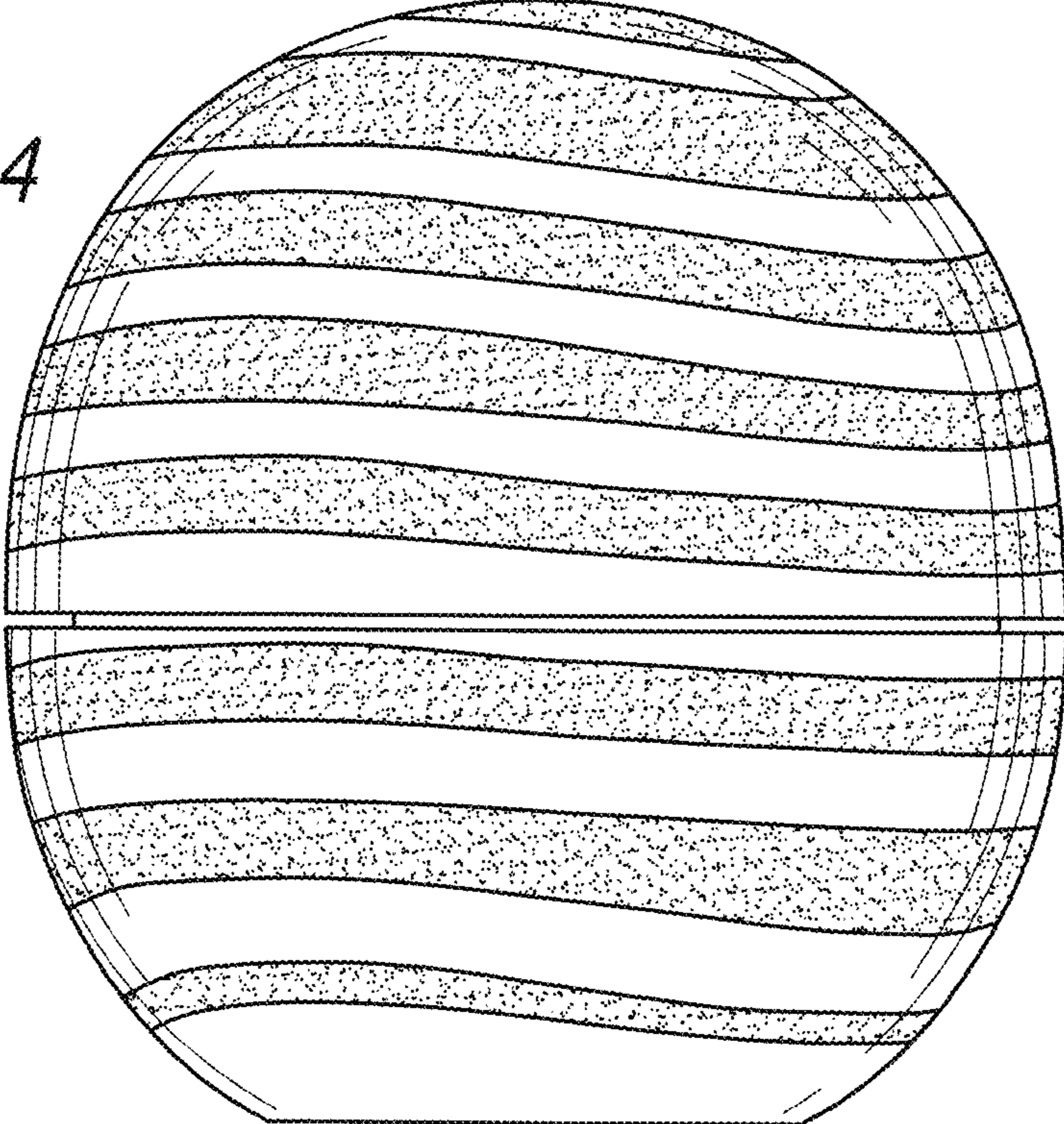


FIG. 5

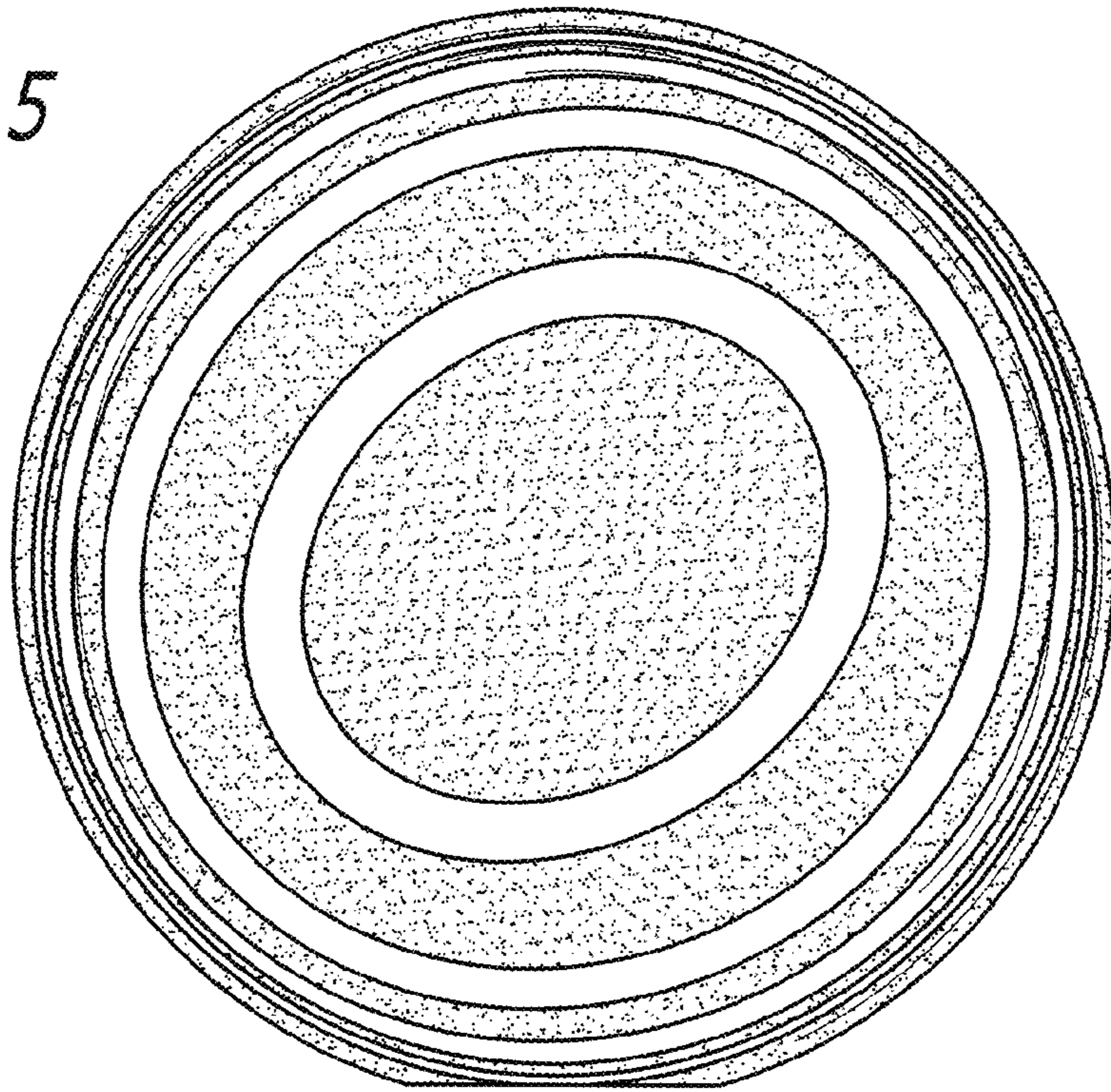
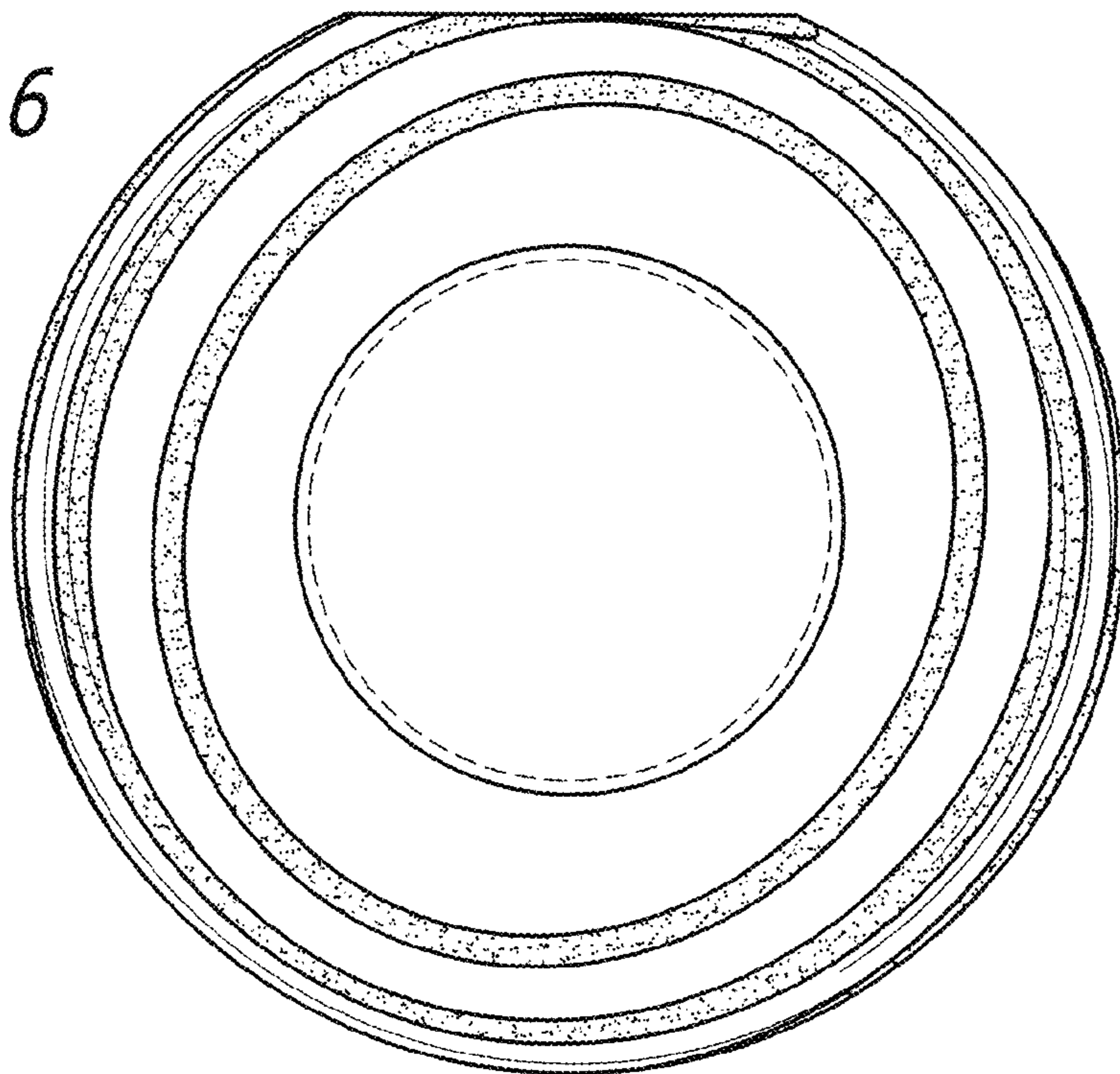


FIG. 6



UNITED STATES PATENT AND TRADEMARK OFFICE
CERTIFICATE OF CORRECTION

PATENT NO. : D764,108 S
APPLICATION NO. : 29/488094
DATED : August 16, 2016
INVENTOR(S) : Jonathan Teller et al.

Page 1 of 1

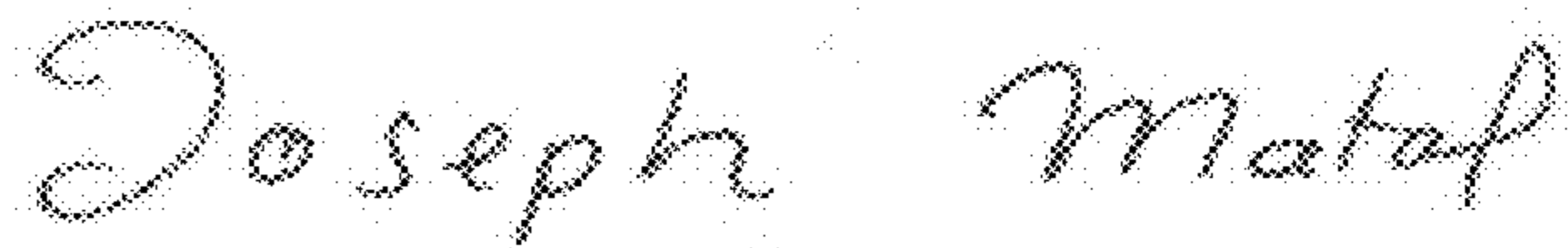
It is certified that error appears in the above-identified patent and that said Letters Patent is hereby corrected as shown below:

On the Title Page

Item (56) References Cited, Other Publications:

Column 2, Line 18: after "201080063211.X" insert -- citing JP 2004-321410A -- and
-- JP 1136041S --.

Signed and Sealed this
Second Day of January, 2018



Joseph Matal

*Performing the Functions and Duties of the
Under Secretary of Commerce for Intellectual Property and
Director of the United States Patent and Trademark Office*

UNITED STATES PATENT AND TRADEMARK OFFICE
CERTIFICATE OF CORRECTION

PATENT NO. : D764,108 S
APPLICATION NO. : 29/488094
DATED : August 16, 2016
INVENTOR(S) : Jonathan Teller et al.

Page 1 of 1

It is certified that error appears in the above-identified patent and that said Letters Patent is hereby corrected as shown below:

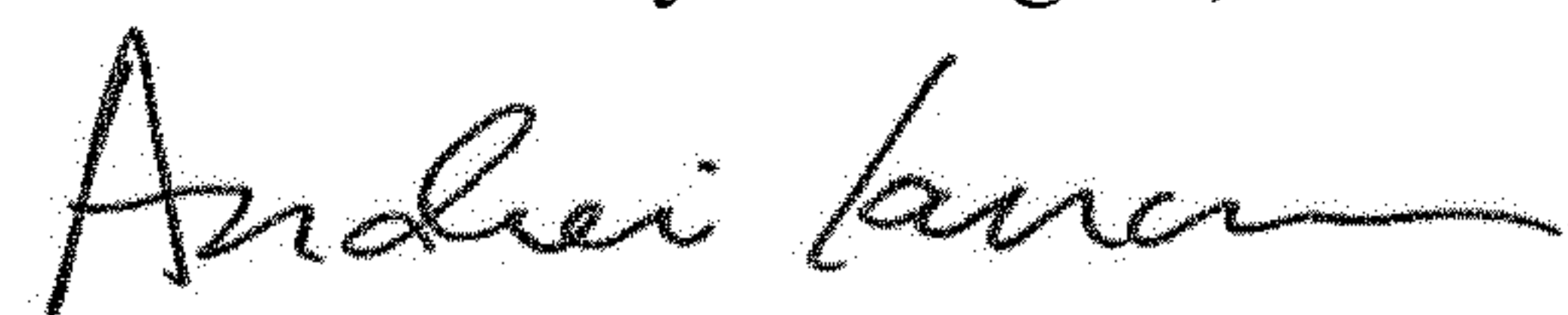
On the Title Page

Item (57) DESCRIPTION:

Column 2, Line 28: change "right side" to -- left side --; and

Column 2, Line 29: change "left side" to -- right side --.

Signed and Sealed this
Seventh Day of August, 2018



Andrei Iancu
Director of the United States Patent and Trademark Office