

US00D764104S

(12) **United States Design Patent**  
**Wallström et al.**

(10) **Patent No.:** **US D764,104 S**

(45) **Date of Patent:** **\*\* Aug. 16, 2016**

(54) **INTERDENTAL CLEANER**

D687,682 S \* 8/2013 Tsioukis ..... D7/683  
8,528,147 B2 9/2013 Larsson et al.  
9,226,802 B2 \* 1/2016 McCafferty ..... A61O 5/023

(71) Applicant: **Tepe Munhygienprodukter AB**, Malmö (SE)

FOREIGN PATENT DOCUMENTS

(72) Inventors: **Paul Wallström**, Malmö (SE); **Jan-Inge Larsson**, Malmö (SE); **Alexander Dingizian**, Malmö (SE)

CN	201790907	4/2011
EP	0153011	8/1985
JP	1979170098 U	12/1978
JP	2013188299	9/2013
JP	2013192866	9/2013
WO	W02009150964	12/2009
WO	W02012156025	11/2012
WO	W02013176297	11/2013
WO	W02014005659	1/2014
WO	W02014023395	2/2014
WO	W02014023424	2/2014

(73) Assignee: **Tepe Munhygienprodukter AB** (SE)

(\*\*) Term: **14 Years**

(21) Appl. No.: **29/507,331**

(22) Filed: **Oct. 27, 2014**

\* cited by examiner

(51) **LOC (10) Cl.** ..... **28-03**

*Primary Examiner* — Zenia Bennett

(52) **U.S. Cl.**

(74) *Attorney, Agent, or Firm* — Lowe Graham Jones PLLC

USPC ..... **D28/65**

(58) **Field of Classification Search**

(57) **CLAIM**

USPC ..... D28/65–68; D24/152; 433/141,  
433/146–147; 132/322–329

We claim the ornamental design for a interdental cleaner, as shown and described.

CPC ..... A61C 15/04

**DESCRIPTION**

See application file for complete search history.

(56) **References Cited**

FIG. 1 is a top view of the interdental cleaner, showing our new design;

U.S. PATENT DOCUMENTS

3,775,848 A	12/1973	Barnett	
4,832,061 A *	5/1989	Hwang	..... A61C 15/02 132/329
6,158,444 A	12/2000	Weihrauch	
6,981,869 B2 *	1/2006	Ruddle	..... A46B 13/006 433/102
D521,737 S *	5/2006	Siemer	..... D28/65
D575,004 S *	8/2008	Jansheski	..... D28/65
D592,916 S *	5/2009	Mazzetta	..... D7/683
D622,557 S *	8/2010	Kerulis	..... D7/683

FIG. 2 is a bottom view of the interdental cleaner;

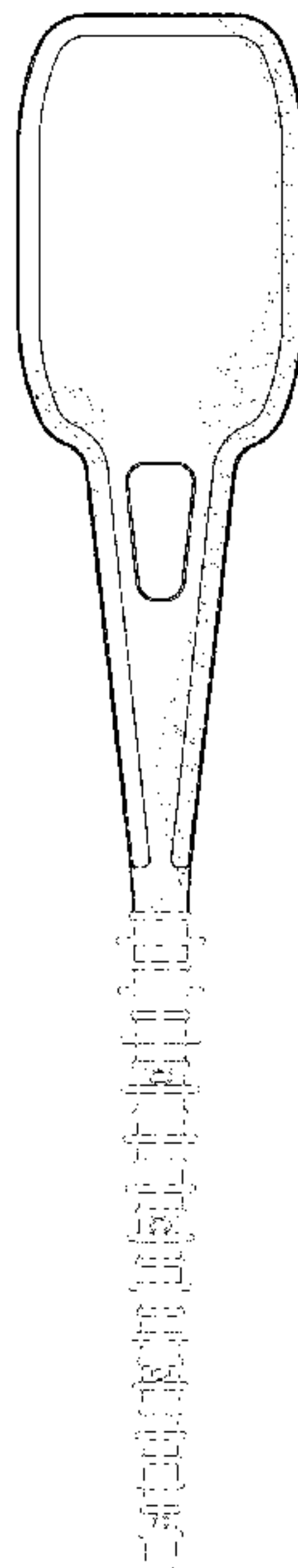
FIG. 3 is an isometric view of the interdental cleaner;

FIG. 4 is a left side-elevational view of the interdental cleaner, the right side-elevational view being the same; and,

FIG. 5 is a front view of the interdental cleaner, the rear view of the interdental cleaner being the same.

All broken lines are directed to environment and are for illustrative purposes only; the broken lines form no part of the claimed design.

**1 Claim, 5 Drawing Sheets**



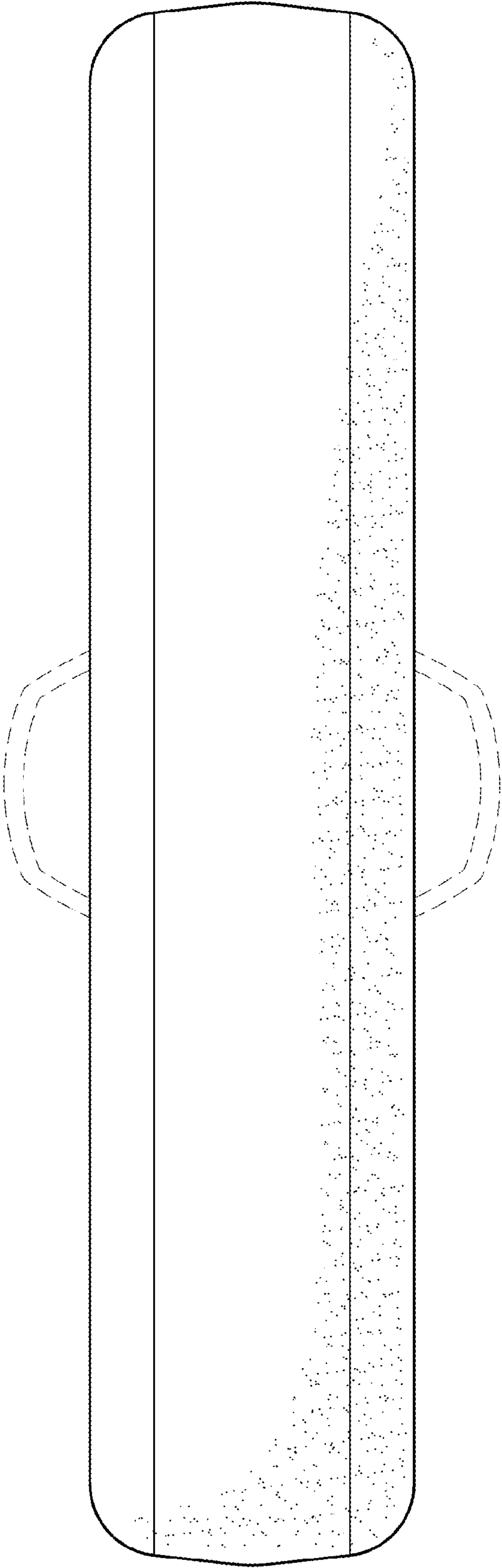


FIG.1

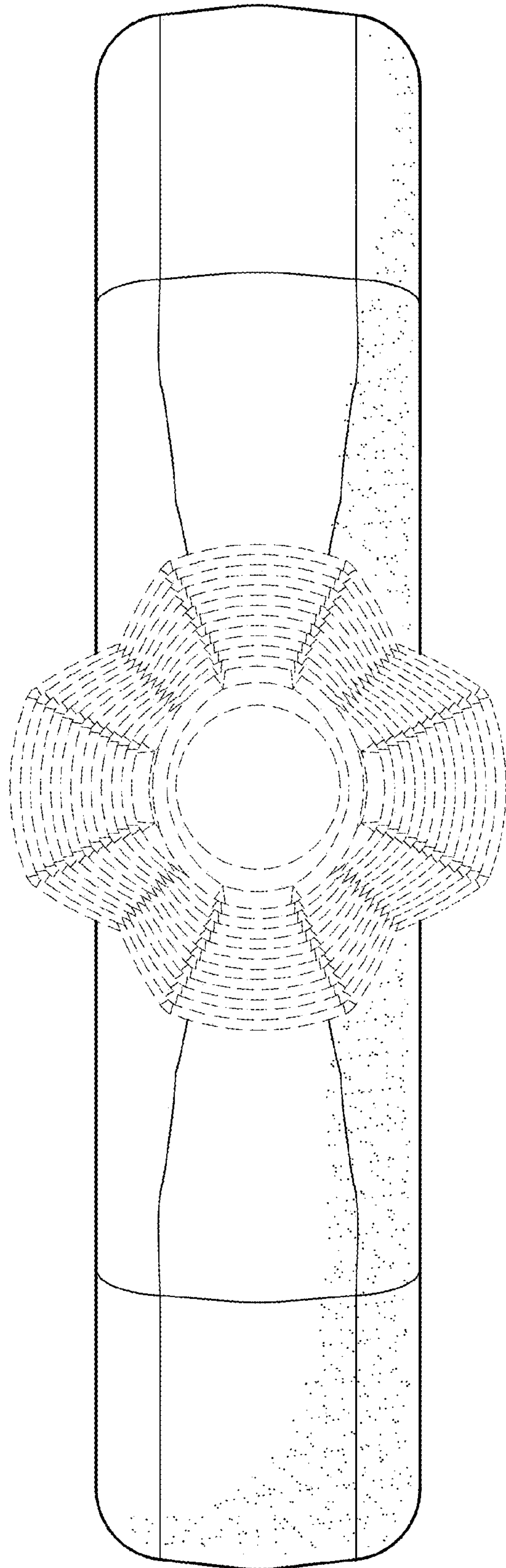


FIG. 2

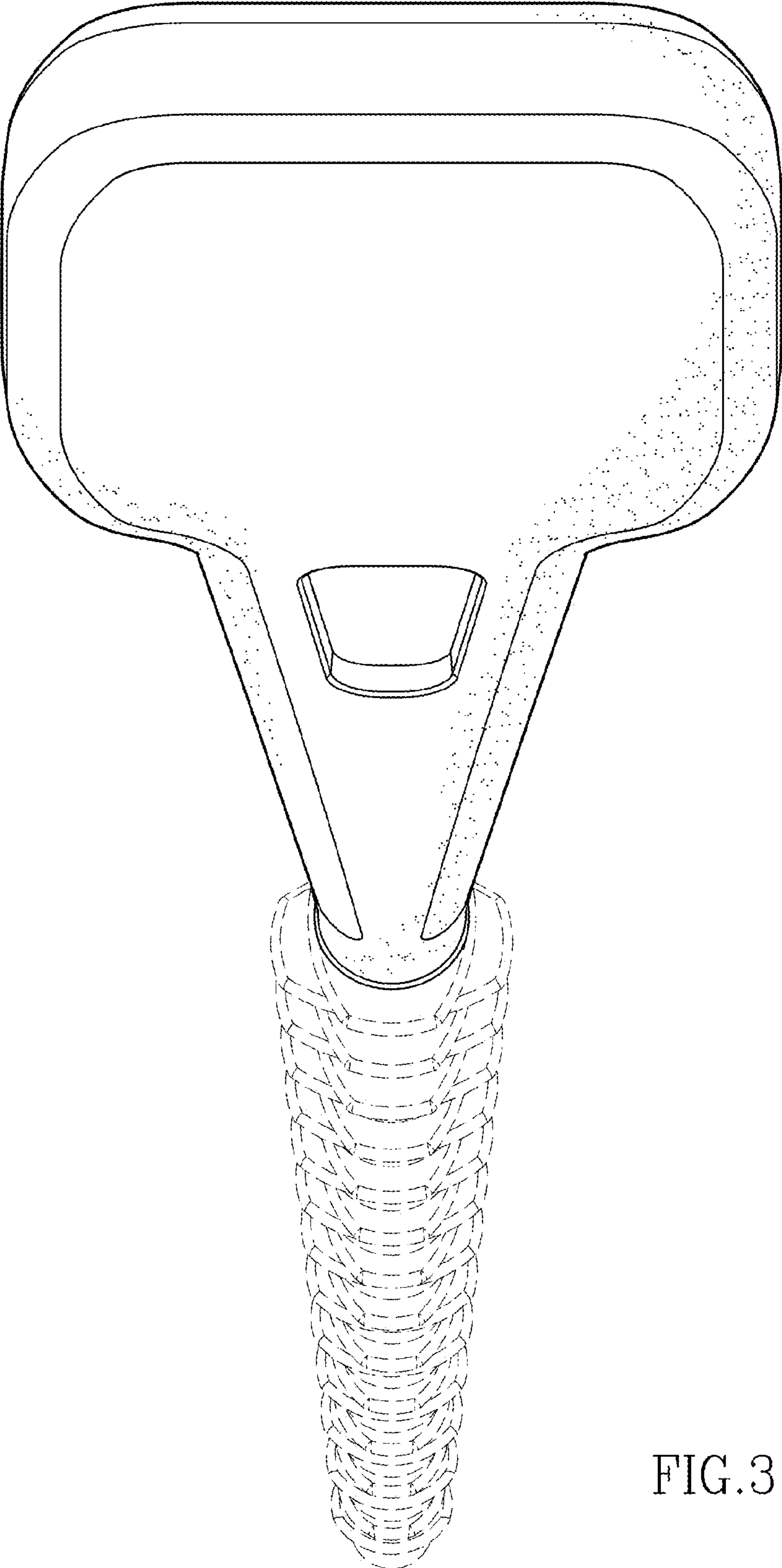


FIG.3

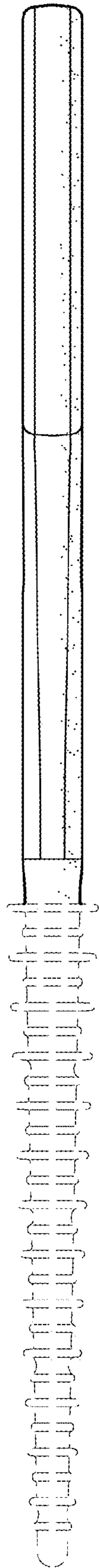


FIG. 4

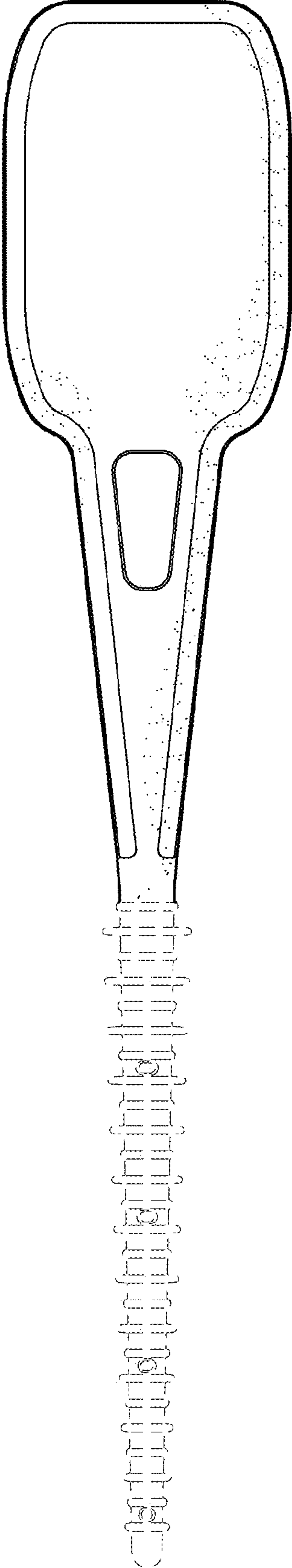


FIG.5