

US00D764103S

(12) **United States Design Patent**
Wallström et al.

(10) **Patent No.:** **US D764,103 S**
(45) **Date of Patent:** **** Aug. 16, 2016**

(54) **INTERDENTAL CLEANER**

D687,682 S * 8/2013 Tsioukis D7/683
8,528,147 B2 9/2013 Larsson et al.
9,226,802 B2 * 1/2016 McCafferty A61C 5/023

(71) Applicant: **Tepe Munhygienprodukter AB**, Malmö (SE)

FOREIGN PATENT DOCUMENTS

(72) Inventors: **Paul Wallström**, Malmö (SE); **Jan-Inge Larsson**, Malmö (SE); **Alexander Dingizian**, Malmö (SE)

CN	201790907	4/2011
EP	0153011	8/1985
JP	1979170098 U	12/1978
JP	2013188299	9/2013
JP	2013192866	9/2013
WO	WO2009150964	12/2009
WO	WO2012156025	11/2012
WO	WO2013176297	11/2013
WO	WO2014005659	1/2014
WO	WO2014023395	2/2014
WO	WO2014023424	2/2014

(73) Assignee: **Tepe Munhygienprodukter AB** (SE)

(**) Term: **14 Years**

(21) Appl. No.: **29/507,329**

(22) Filed: **Oct. 27, 2014**

(51) **LOC (10) Cl.** **28-03**

(52) **U.S. Cl.**
USPC **D28/65**

(58) **Field of Classification Search**
USPC D28/65-68; D24/152; 433/141,
433/146-147; 132/322-329
CPC A61C 15/04
See application file for complete search history.

* cited by examiner

Primary Examiner — Zenia Bennett

(74) *Attorney, Agent, or Firm* — Lowe Graham Jones PLLC

(57) **CLAIM**

We claim the ornamental design for an interdental cleaner, as shown and described.

DESCRIPTION

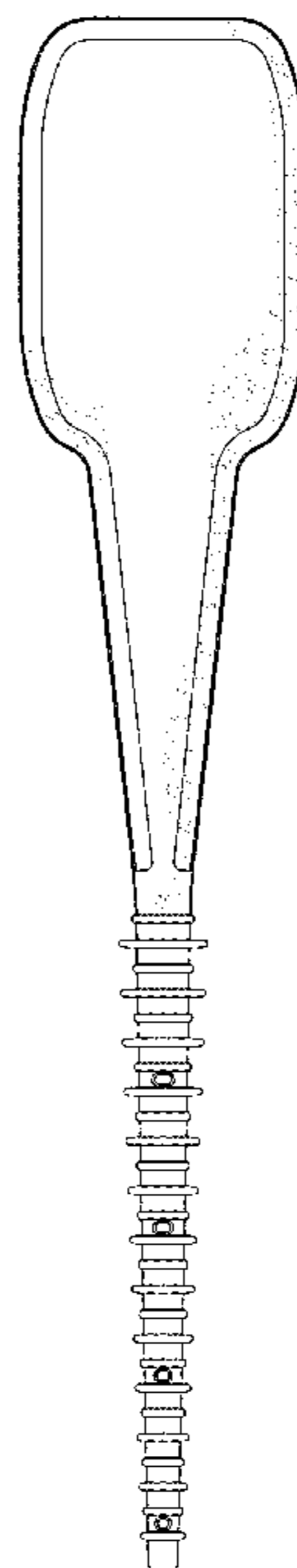
FIG. 1 is a front perspective view of the interdental cleaner, showing our new design;
FIG. 2 is a top view of the interdental cleaner;
FIG. 3 is a bottom view of the interdental cleaner;
FIG. 4 is a left side-elevational view of the interdental cleaner, the right side-elevational view being the same;
FIG. 5 is a front-elevational view of the interdental cleaner, the rear-elevational view being the same; and,
FIG. 6 is an enlarged view of the interdental cleaner.

(56) **References Cited**

U.S. PATENT DOCUMENTS

3,775,848 A	12/1973	Barnett	
4,832,061 A *	5/1989	Hwang A61C 15/02 132/329
6,158,444 A	12/2000	Weihrauch	
6,981,869 B2 *	1/2006	Ruddle A46B 13/006 433/102
D521,737 S *	5/2006	Siemer D28/65
D575,004 S *	8/2008	Jansheski D28/65
D592,916 S *	5/2009	Mazzetta D7/683
D622,557 S *	8/2010	Kerulis D7/683

1 Claim, 6 Drawing Sheets



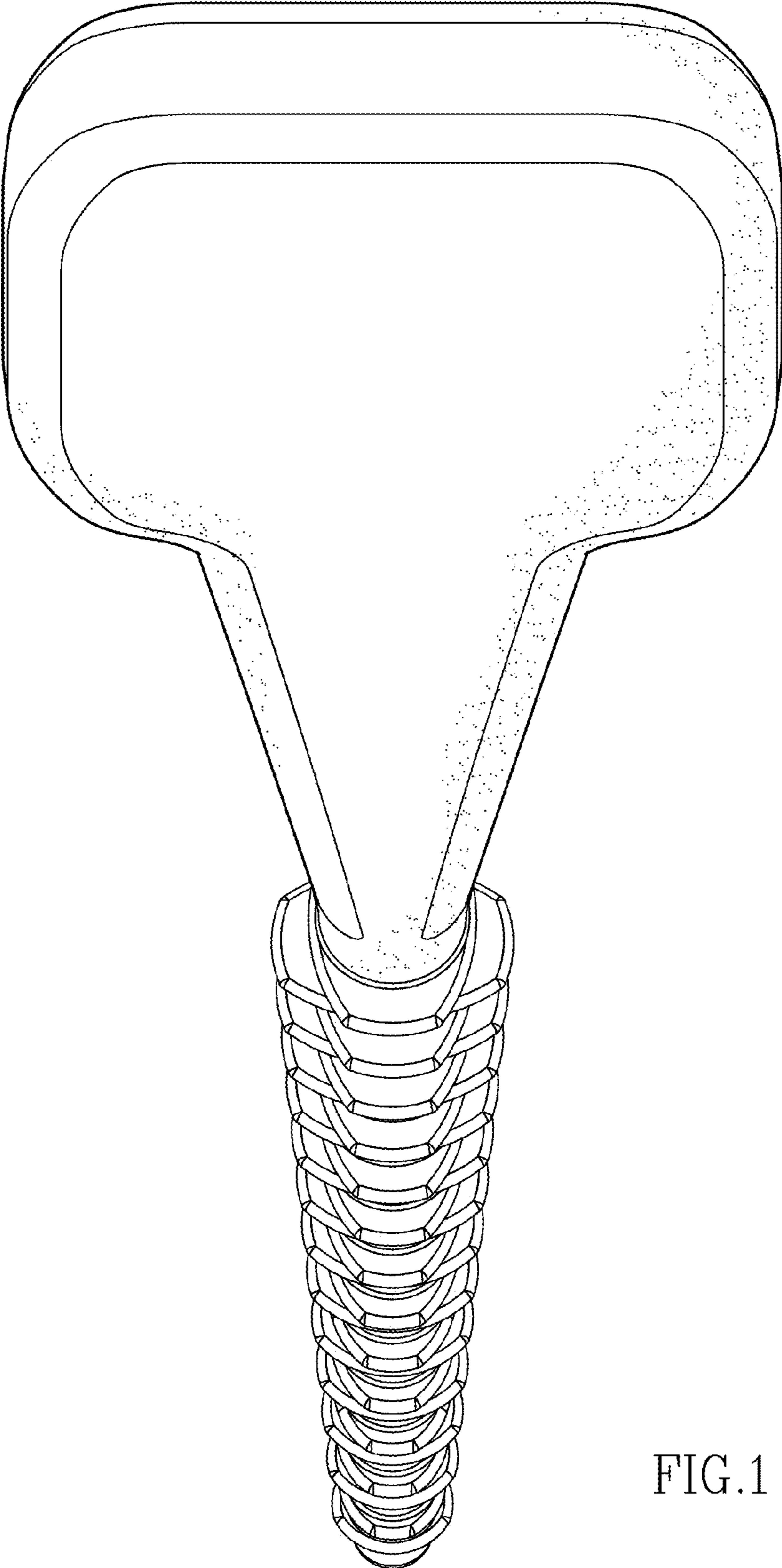


FIG.1

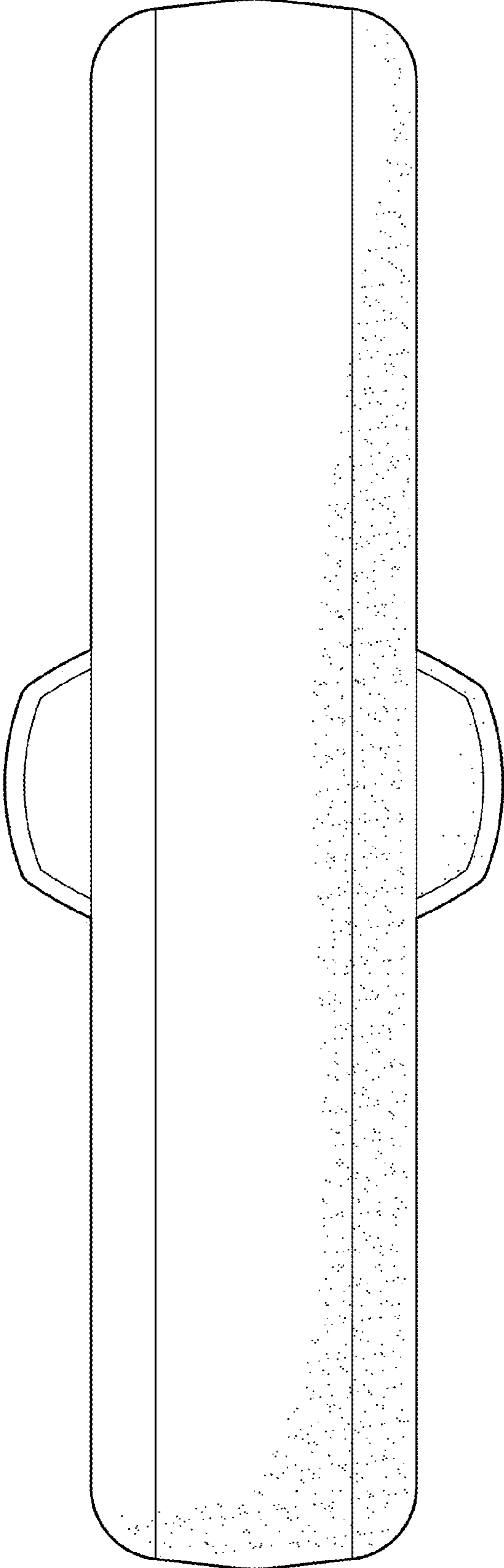


FIG.2

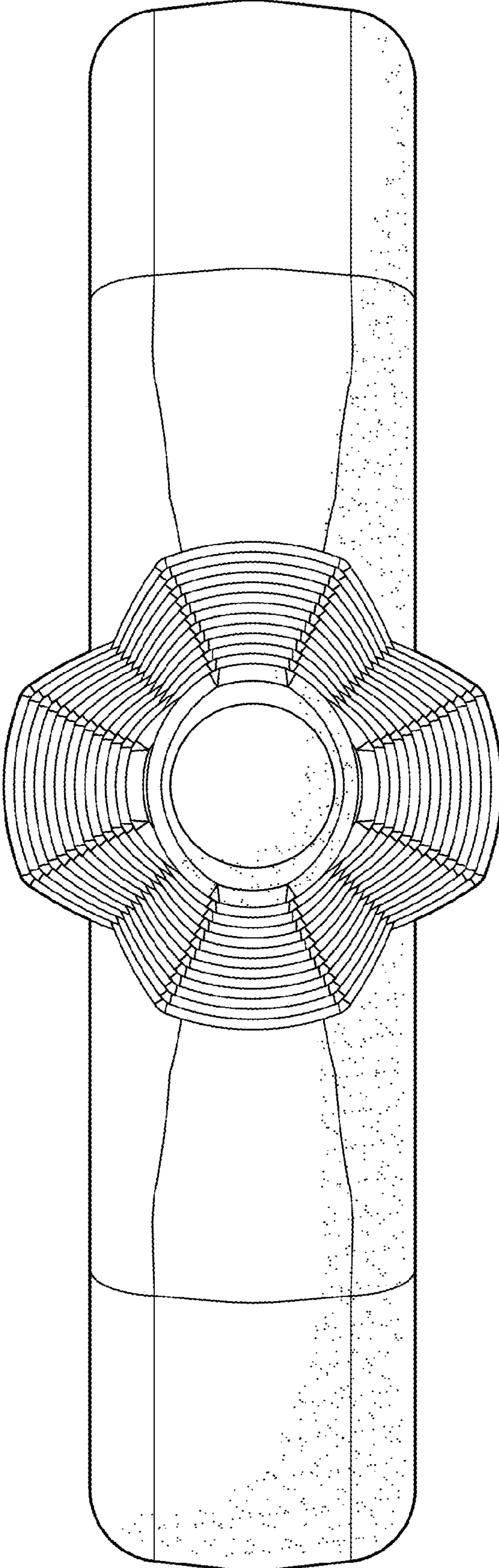


FIG. 3

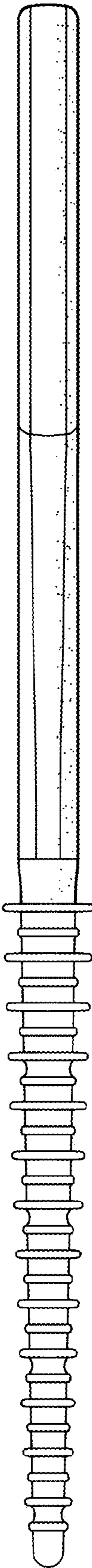


FIG. 4

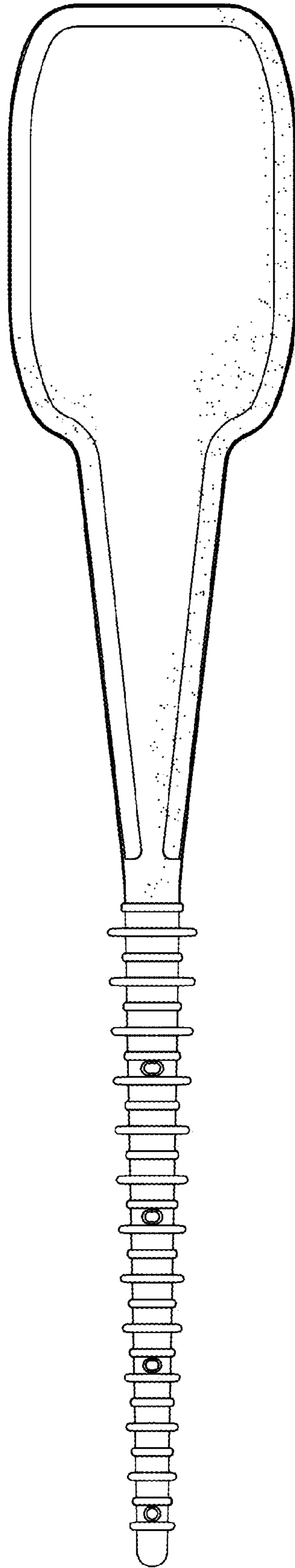


FIG.5

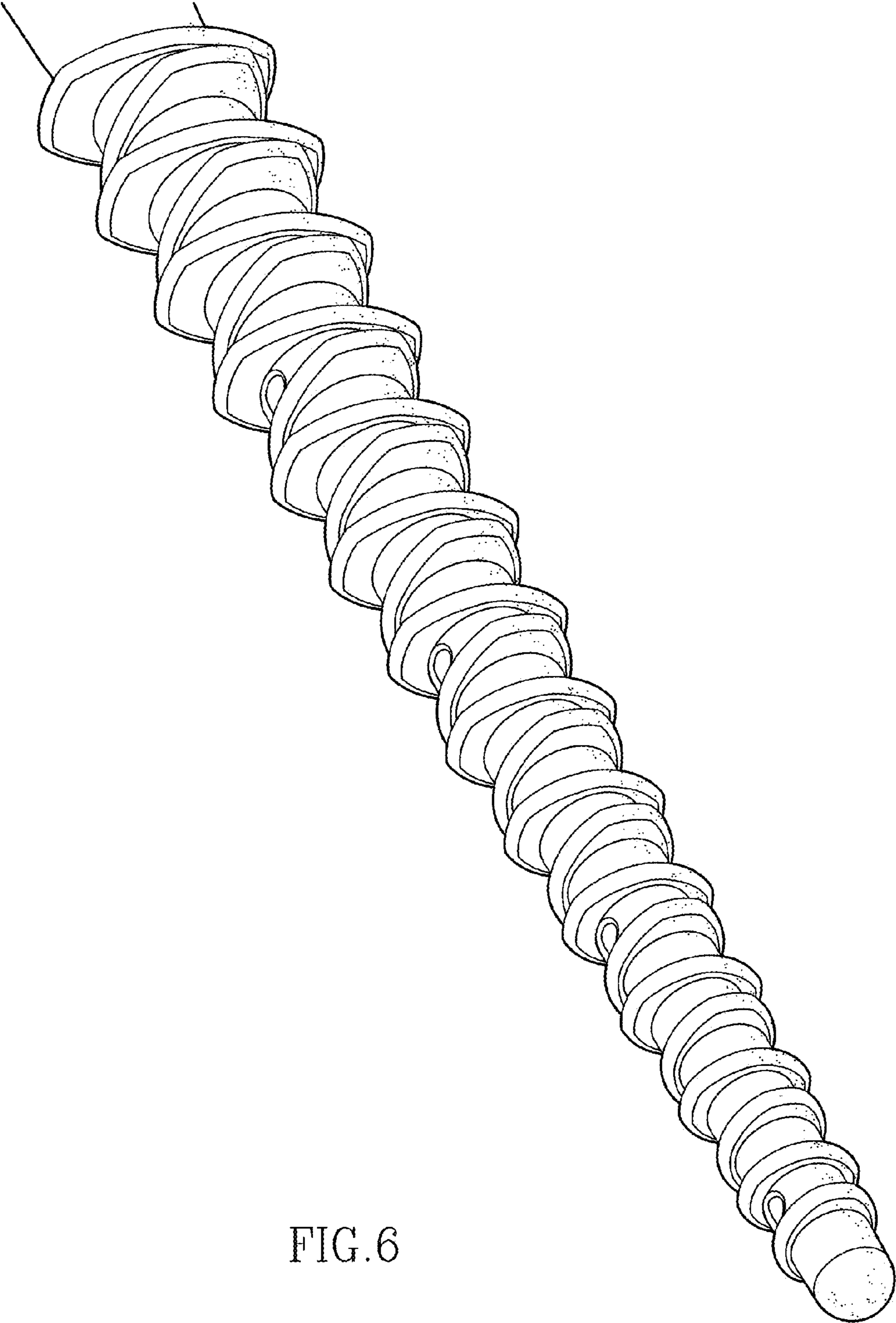


FIG. 6