

US00D764102S

(12) **United States Design Patent**  
**Christie et al.**

(10) **Patent No.:** **US D764,102 S**

(45) **Date of Patent:** **\*\* Aug. 16, 2016**

(54) **HANDLE FOR A RAZOR**

(71) Applicant: **The Gillette Company**, Boston, MA  
(US)

(72) Inventors: **Vanessa Christie**, Boston, MA (US);  
**Junichi Yoshitomi**, Matsudo (JP); **Kenta Maruyama**, Kyoto (JP); **Hong Lu**,  
Auburndale, MA (US); **Andrew Anthony Szczepanowski**, North  
Attleboro, MA (US)

(\*\*) Term: **14 Years**

(21) Appl. No.: **29/526,529**

(22) Filed: **May 11, 2015**

(51) **LOC (10) Cl.** ..... **28-03**

(52) **U.S. Cl.**  
USPC ..... **D28/48**

(58) **Field of Classification Search**  
USPC ..... D28/44-48  
CPC ..... B26B 21/00-21/06; B26B 21/08-21/38;  
B26B 21/40; B26B 21/52-21/60  
See application file for complete search history.

(56) **References Cited**

**U.S. PATENT DOCUMENTS**

D563,045 S 2/2008 Provost et al.  
D563,046 S 2/2008 Provost et al.

D641,104 S 7/2011 Watson et al.  
D652,991 S \* 1/2012 Cavazos Jimenez ..... D28/48  
D655,042 S 2/2012 Watson et al.  
D655,861 S \* 3/2012 Watson ..... D28/47  
D656,676 S \* 3/2012 Cavazos Jimenez ..... D28/48  
D656,677 S \* 3/2012 Cavazos Jimenez ..... D28/48  
D674,138 S 1/2013 Watson et al.  
D724,269 S \* 3/2015 Szczepanowski ..... D28/48  
D724,270 S \* 3/2015 Sims ..... D28/48

\* cited by examiner

*Primary Examiner* — Jennifer Rivard

(74) *Attorney, Agent, or Firm* — John M. Lipchitz; Steven  
W. Miller; Kevin C. Johnson

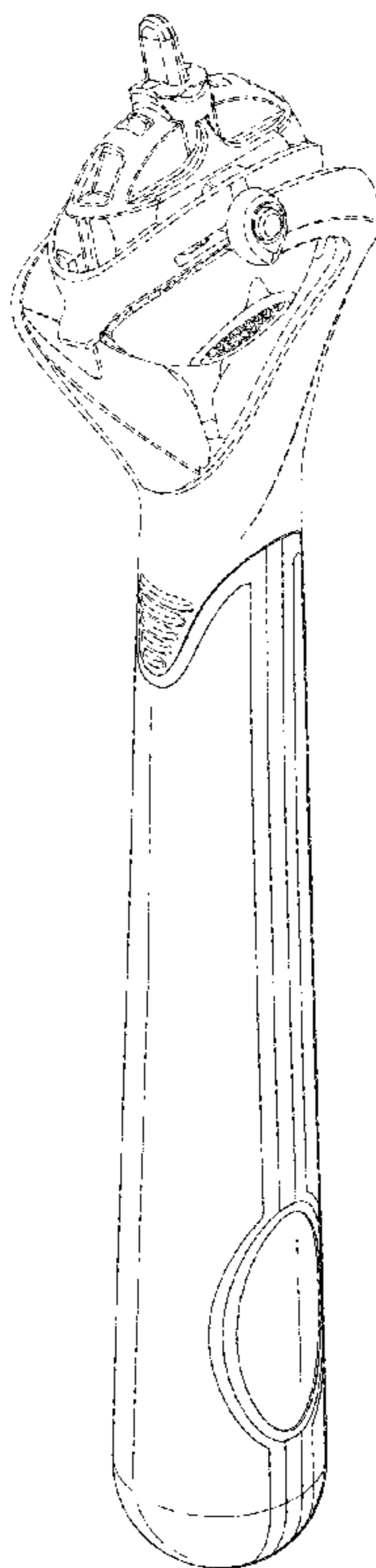
(57) **CLAIM**

The ornamental design for a handle for a razor, as shown and  
described.

**DESCRIPTION**

FIG. 1 is a perspective view of a handle for a razor of the  
present invention;  
FIG. 2 is a front view thereof;  
FIG. 3 is a rear view thereof;  
FIG. 4 is a right side view thereof;  
FIG. 5 is a left side view thereof;  
FIG. 6 is a top view thereof; and,  
FIG. 7 is a bottom view thereof.  
The broken lines illustrate portions of the handle for a razor  
and form no part of the claimed design.

**1 Claim, 4 Drawing Sheets**



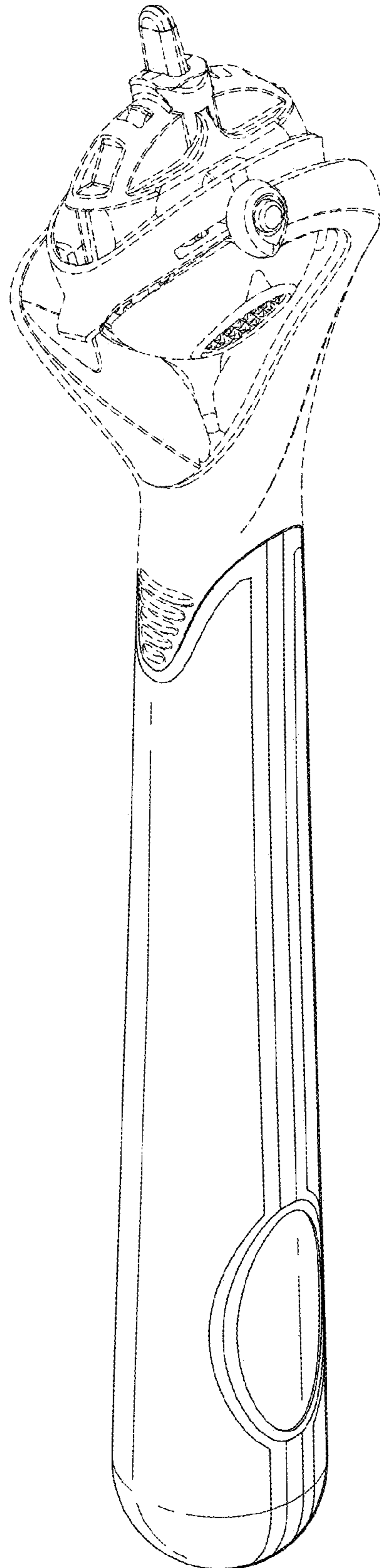


FIG. 1

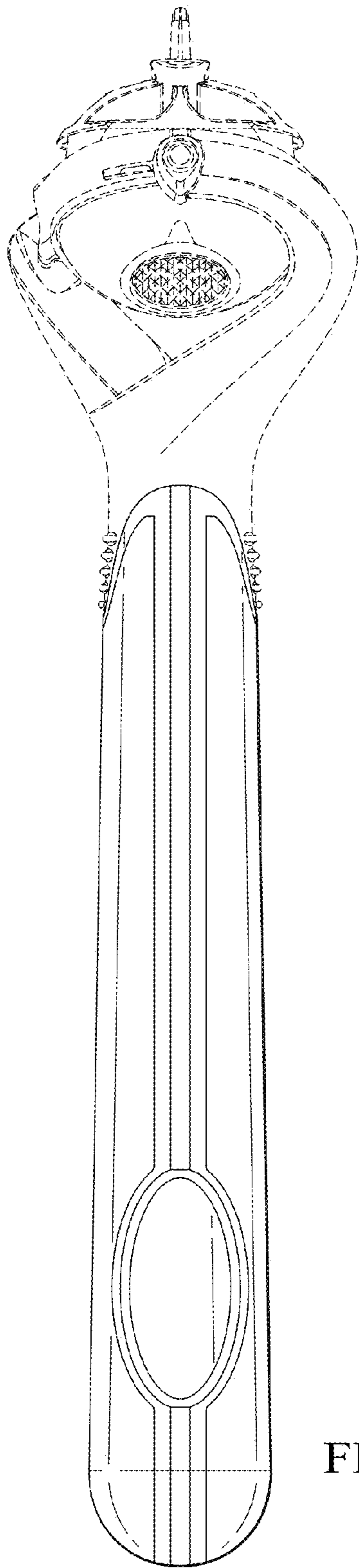


FIG. 2

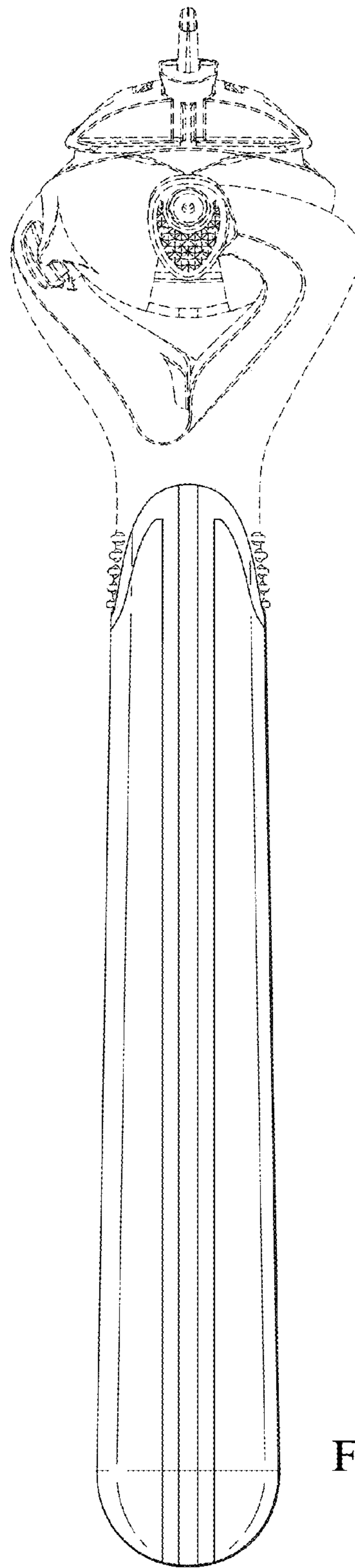


FIG. 3

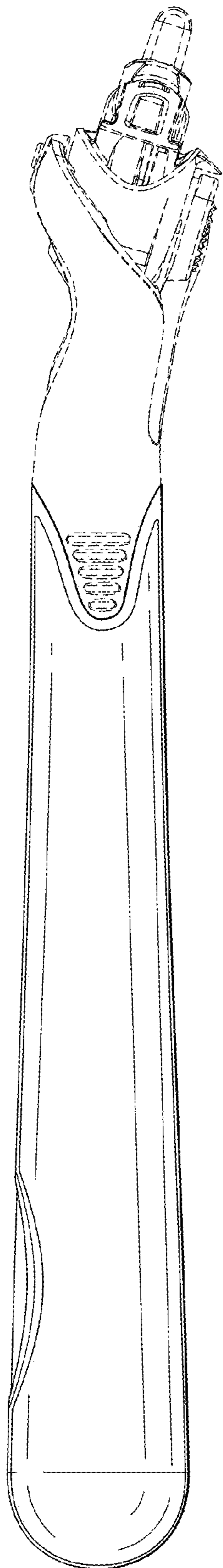


FIG. 4

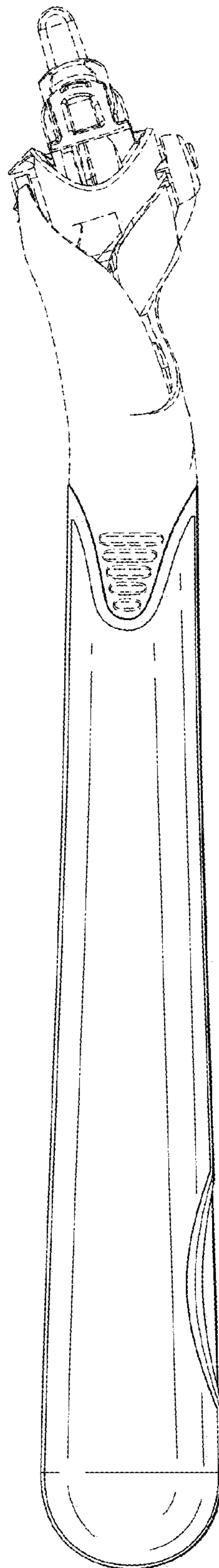


FIG. 5

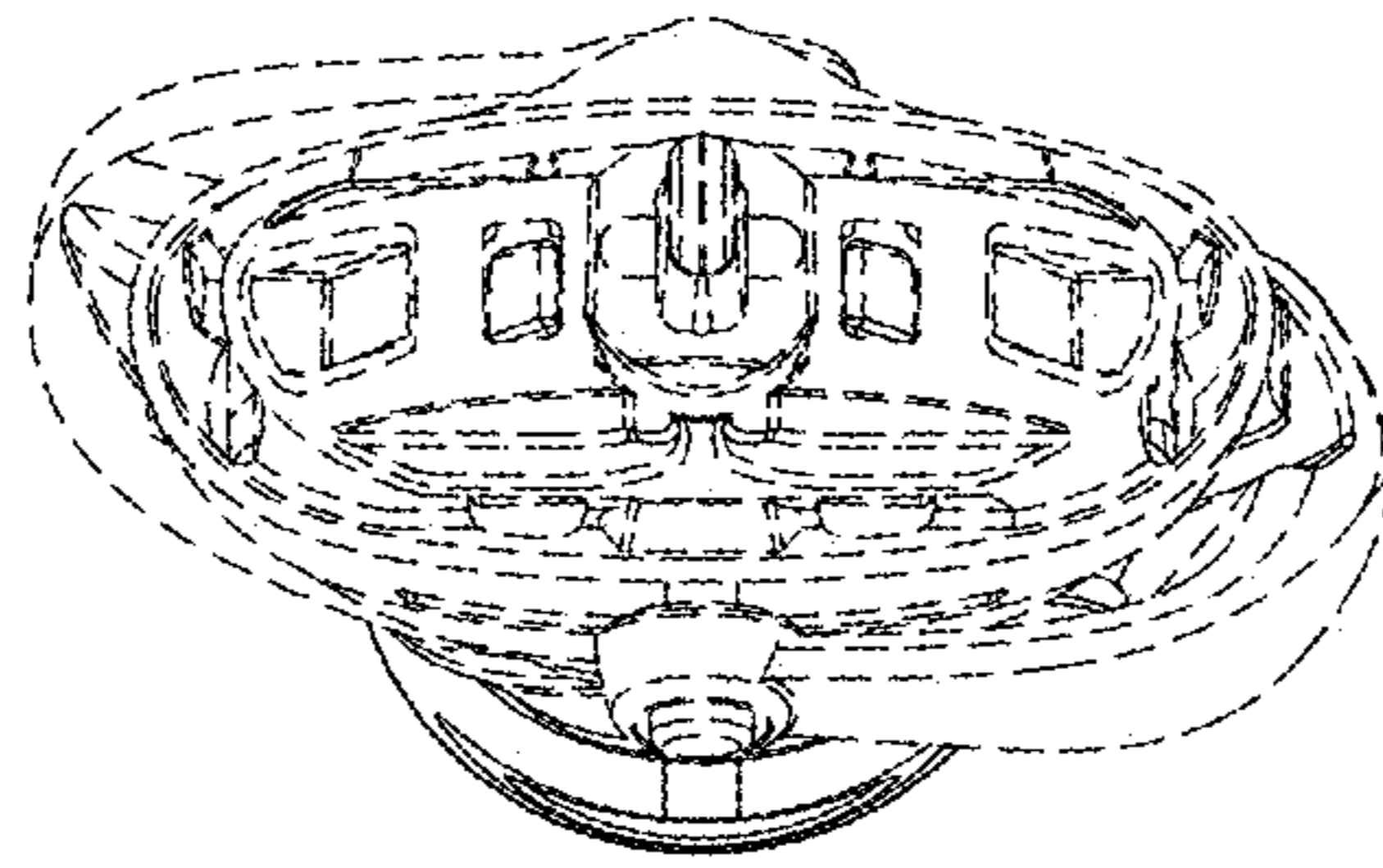


FIG. 6

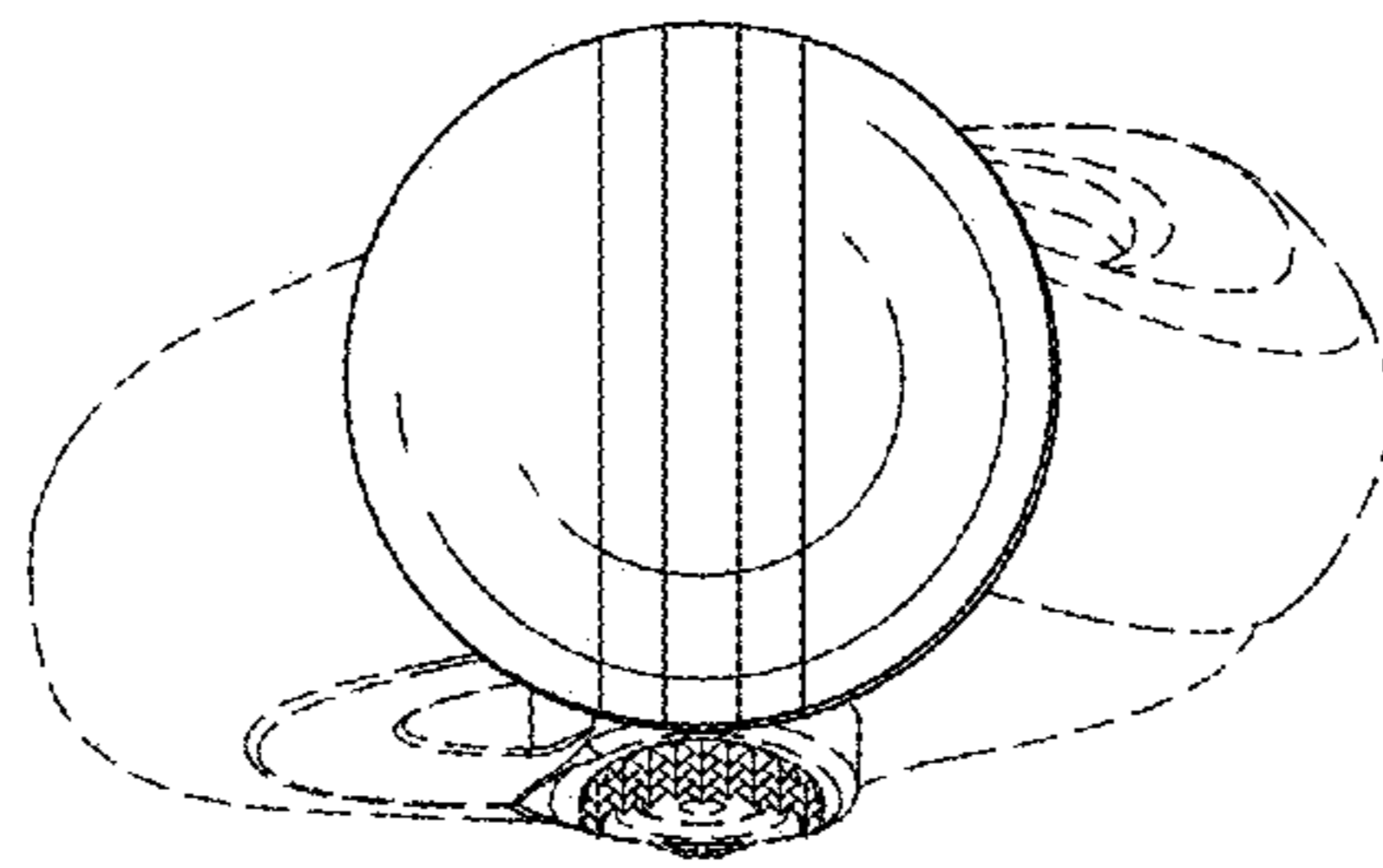


FIG. 7