



US00D764099S

(12) **United States Design Patent**
Boss

(10) **Patent No.:** **US D764,099 S**
(45) **Date of Patent:** **** Aug. 16, 2016**

- (54) **PONYTAIL HOLDER**
- (71) Applicant: **Dimitry Ralph Boss**, Hillsdale, NJ (US)
- (72) Inventor: **Dimitry Ralph Boss**, Hillsdale, NJ (US)
- (**) Term: **14 Years**
- (21) Appl. No.: **29/518,760**
- (22) Filed: **Feb. 26, 2015**
- (51) **LOC (10) Cl.** **28-03**
- (52) **U.S. Cl.**
USPC **D28/41**
- (58) **Field of Classification Search**
USPC D28/31-34, 39-43; 132/101, 126,
132/128-131, 144, 148, 219, 275-284;
D19/34, 65; D8/395; D9/434, 443
CPC A45D 8/24; A45D 8/26; A45D 8/28;
A45D 8/30; A45D 8/32; A45D 8/34; A45D
8/36; A45D 8/38; A45D 8/40
See application file for complete search history.

(56) **References Cited**

U.S. PATENT DOCUMENTS

- 5,086,543 A * 2/1992 Mitchell A44B 18/00
24/16 PB
- 5,293,884 A * 3/1994 Chapman A45D 8/34
132/200
- D385,061 S * 10/1997 Malik D28/41
- 5,730,161 A * 3/1998 Kohanek A45D 8/34
132/212
- 5,799,672 A * 9/1998 Hansbury A45D 8/34
132/247
- 6,260,555 B1 * 7/2001 Natvig A45D 8/34
132/200

- 6,425,405 B1 * 7/2002 McRoberts A45D 8/34
132/275
- 6,981,507 B2 * 1/2006 Gabriele-Baumann .. A45D 8/14
132/275
- 8,136,534 B2 * 3/2012 D'Assis A45D 8/34
132/200
- 2008/0156340 A1 * 7/2008 Hopper A45D 8/36
132/275

* cited by examiner

Primary Examiner — Zenia Bennett

(74) *Attorney, Agent, or Firm* — Q; Kevin Prince

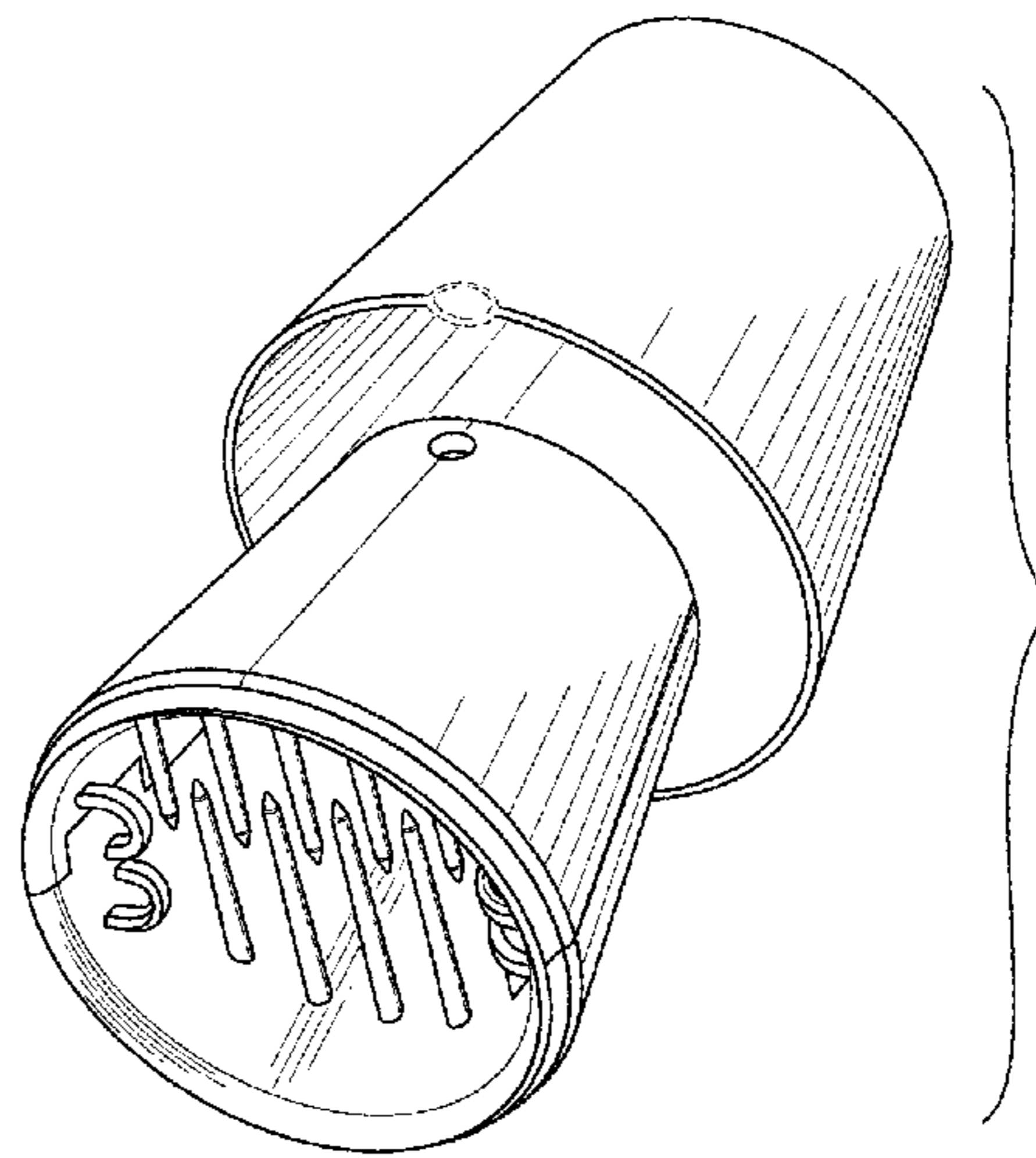
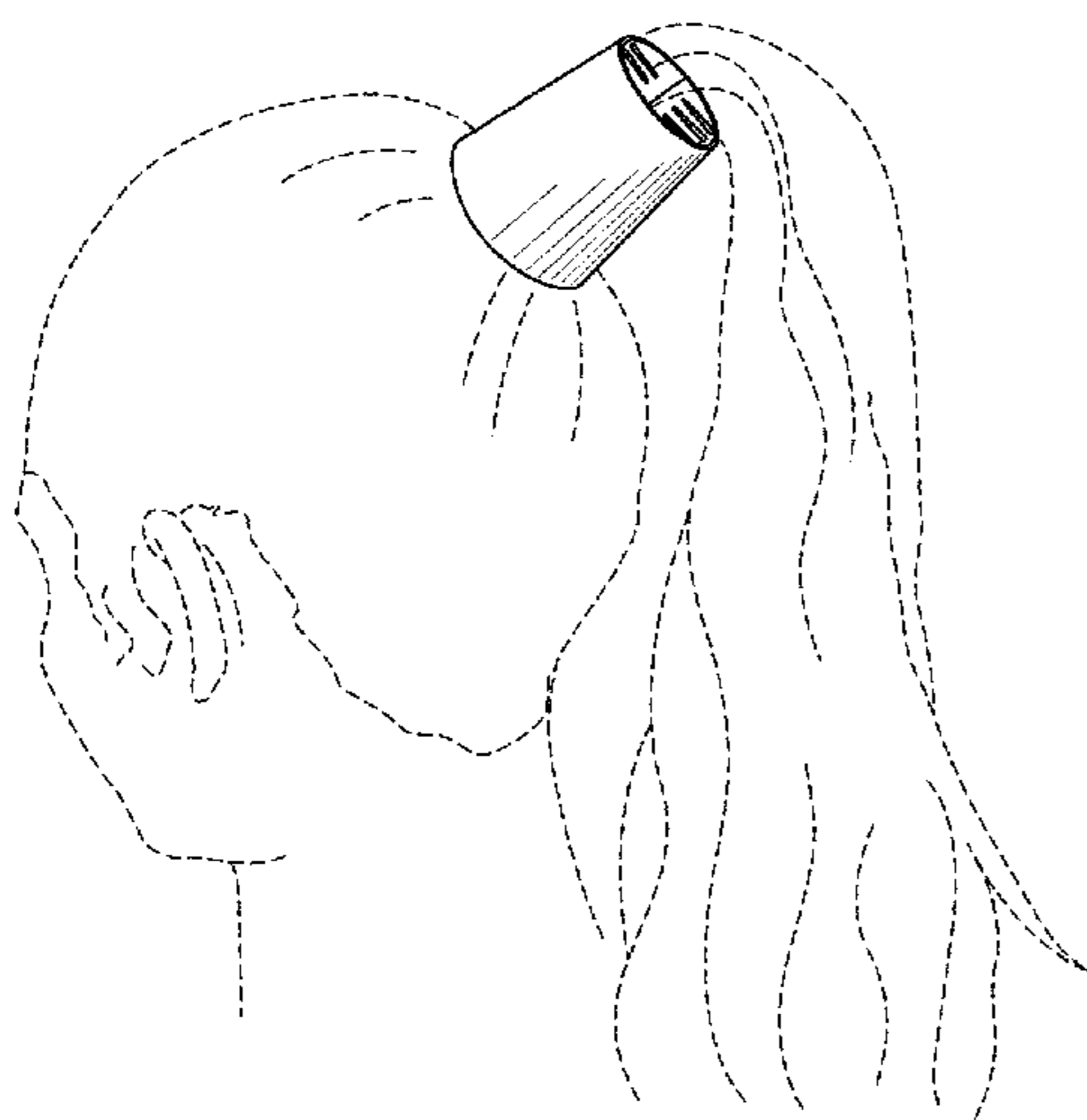
(57) **CLAIM**

I claim the ornamental design for a ponytail holder, as shown and described.

DESCRIPTION

FIG. 1 is a top perspective view of a ponytail holder, showing my new design;
 FIG. 2 is a bottom perspective view thereof;
 FIG. 3 is an exploded bottom perspective view of FIG. 2, illustrating a cover exploded away from a shell of the design, the shell in a closed position;
 FIG. 4 is an exploded front elevational view of FIG. 3;
 FIG. 5 is an exploded rear elevational view of FIG. 3;
 FIG. 6 is an exploded left-side elevational view of FIG. 3, the right-side elevational view being a mirror image thereof;
 FIG. 7 is an exploded top plan view of FIG. 3;
 FIG. 8 is an exploded bottom plan view of FIG. 3; and,
 FIG. 9 is a perspective view thereof, the shell illustrated in an open position and the cover omitted for clarity of illustration. The broken lines showing a person with a ponytail in FIG. 1 depict environmental matter and form no part of the claimed design.

1 Claim, 4 Drawing Sheets



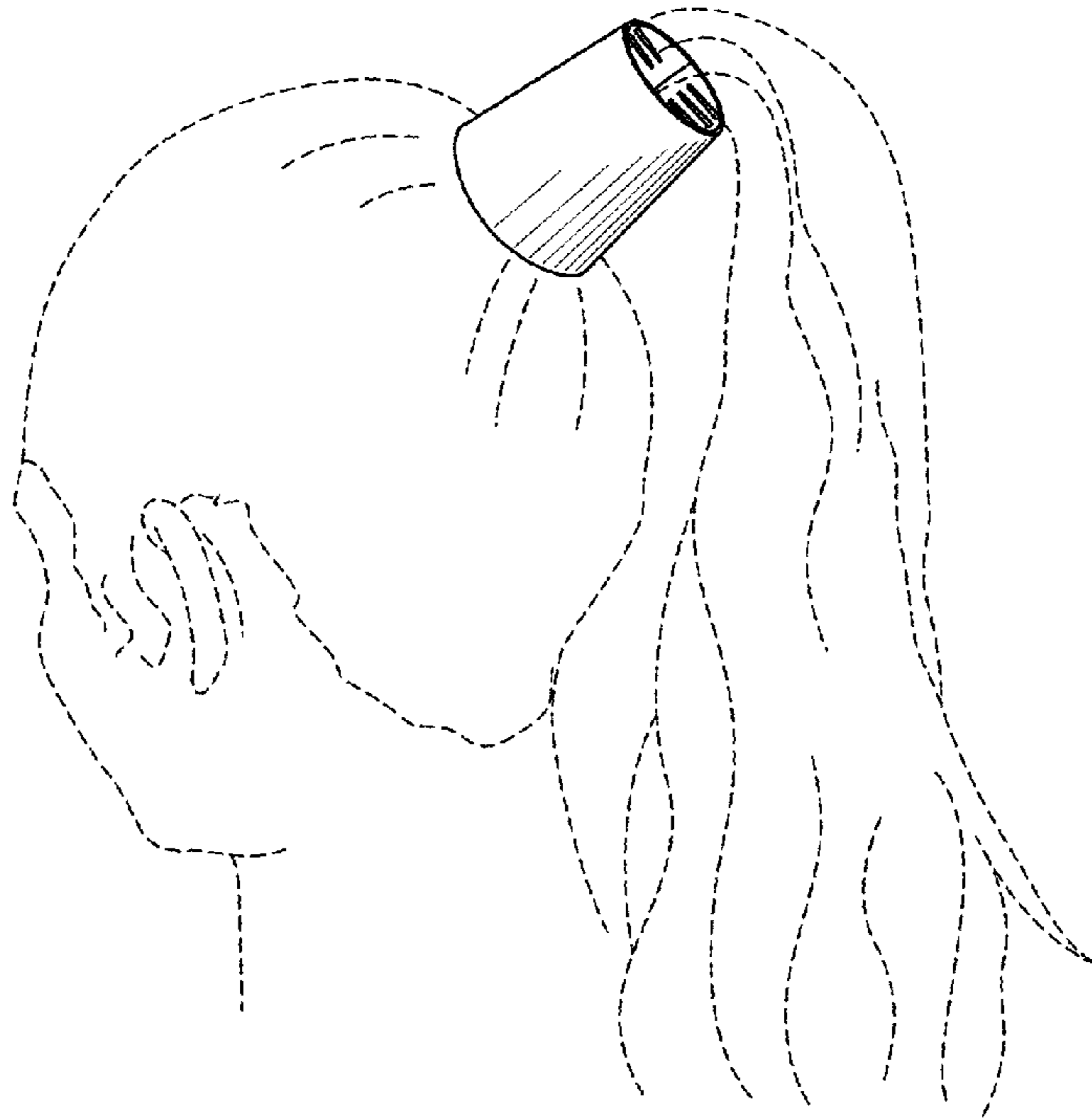


FIG. 1

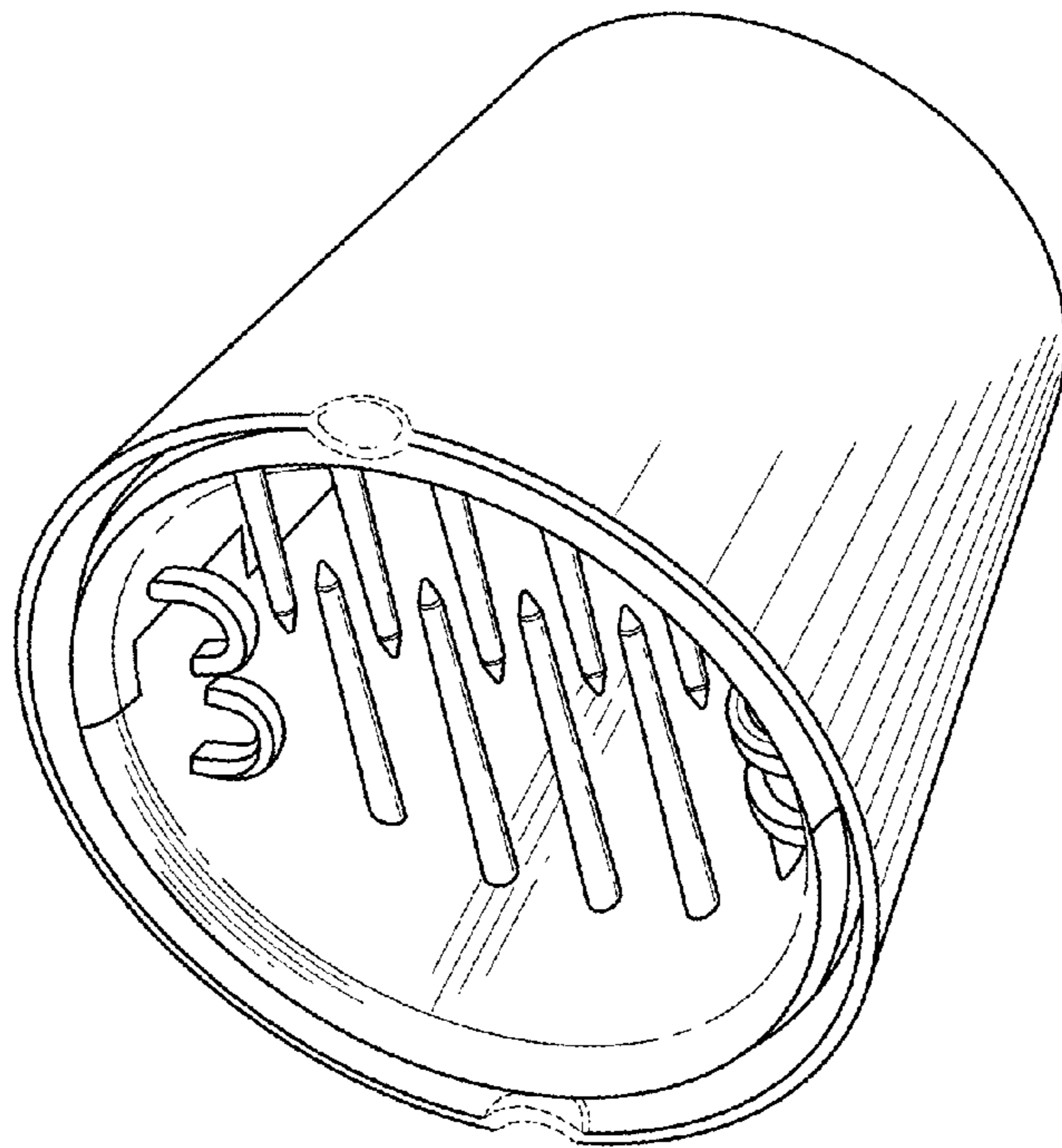


FIG. 2

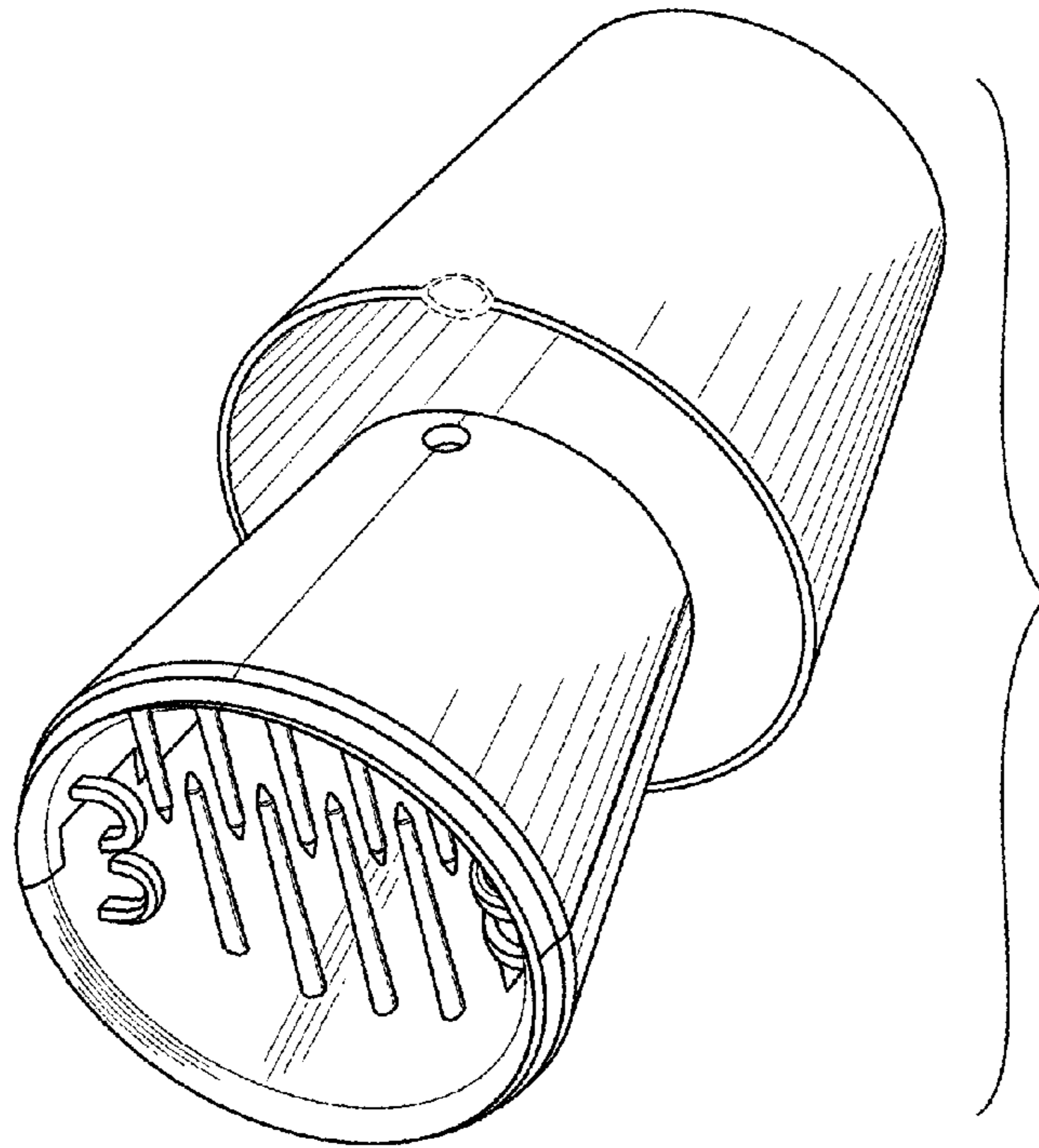


FIG. 3

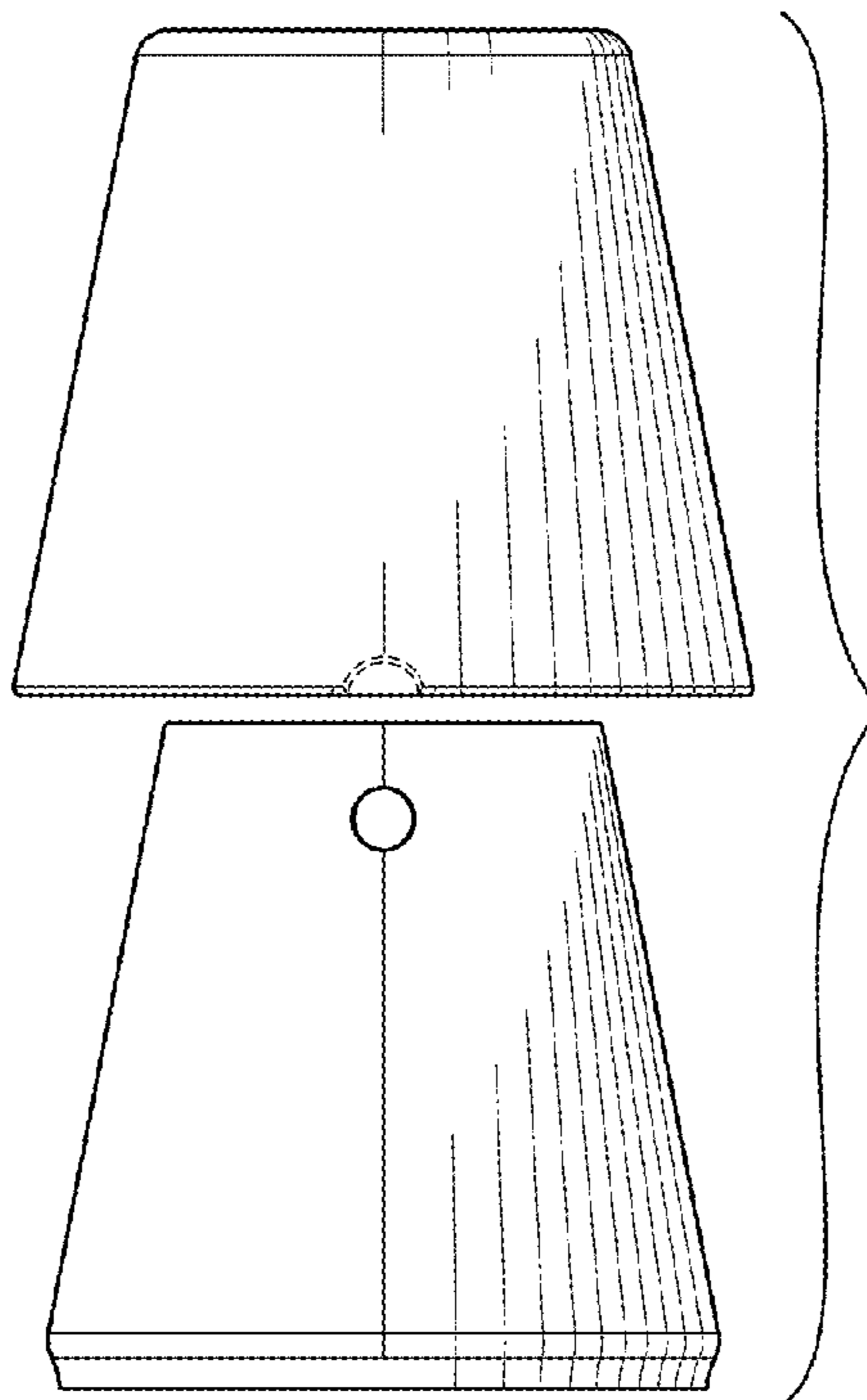


FIG. 4

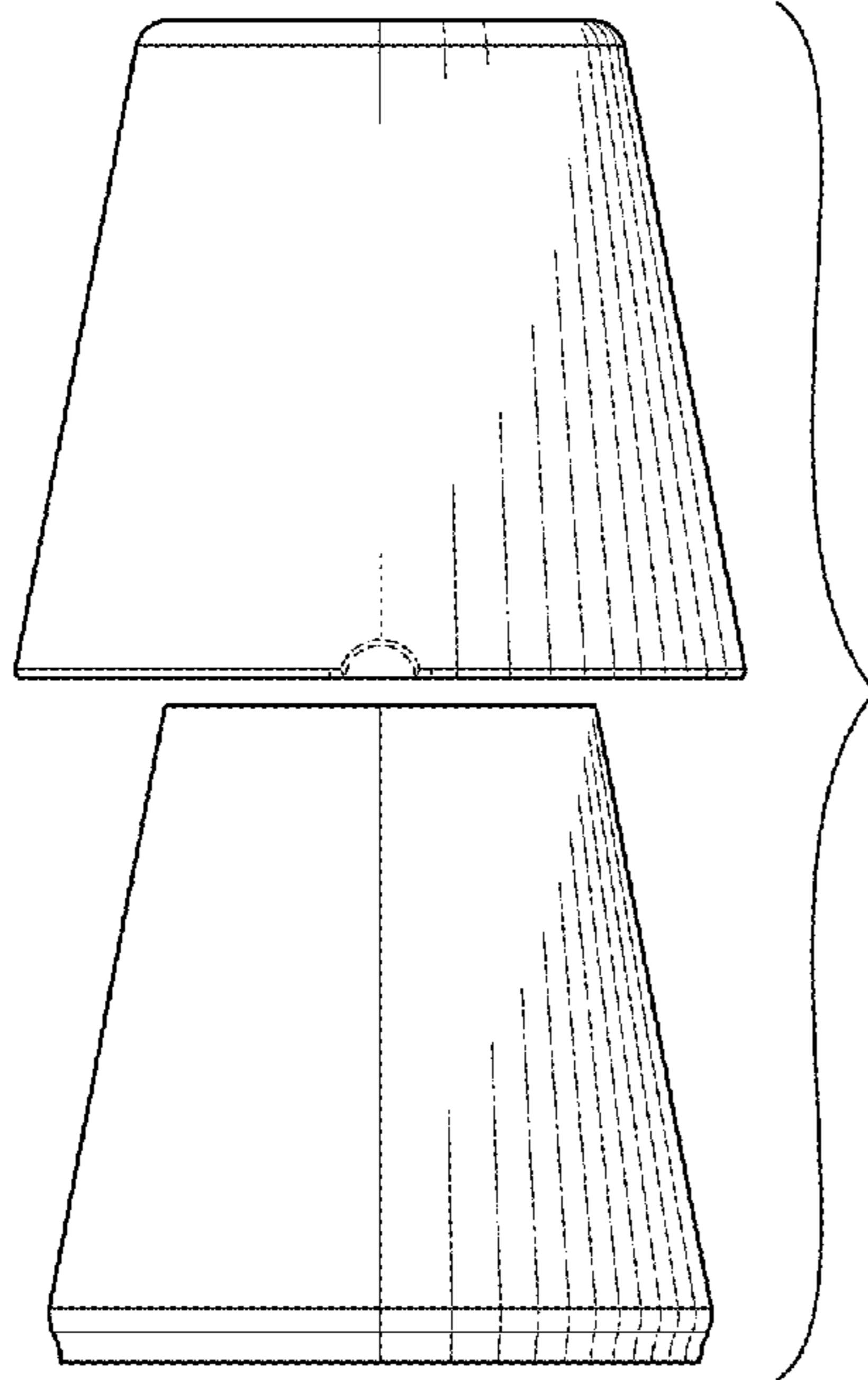


FIG. 5

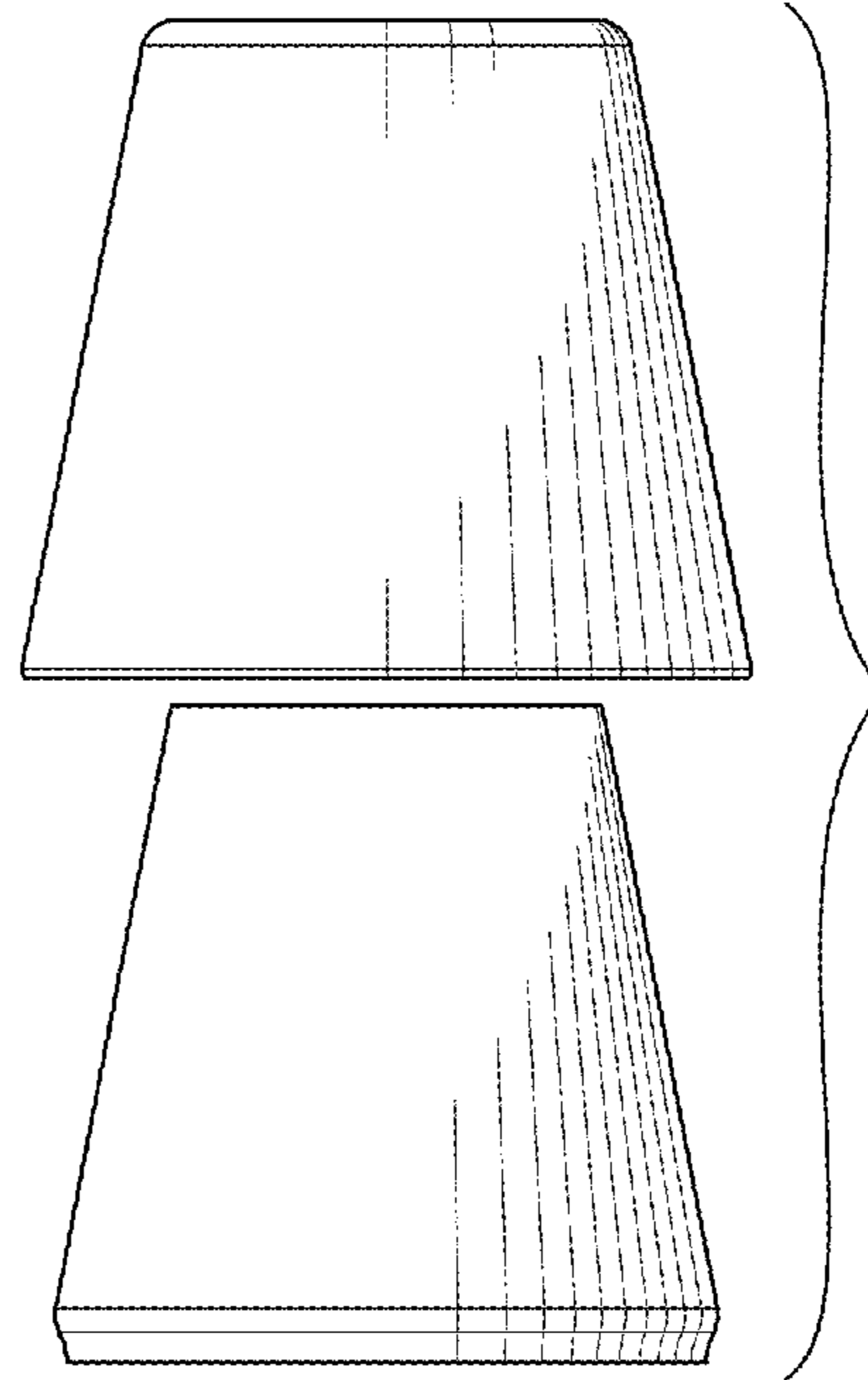


FIG. 6

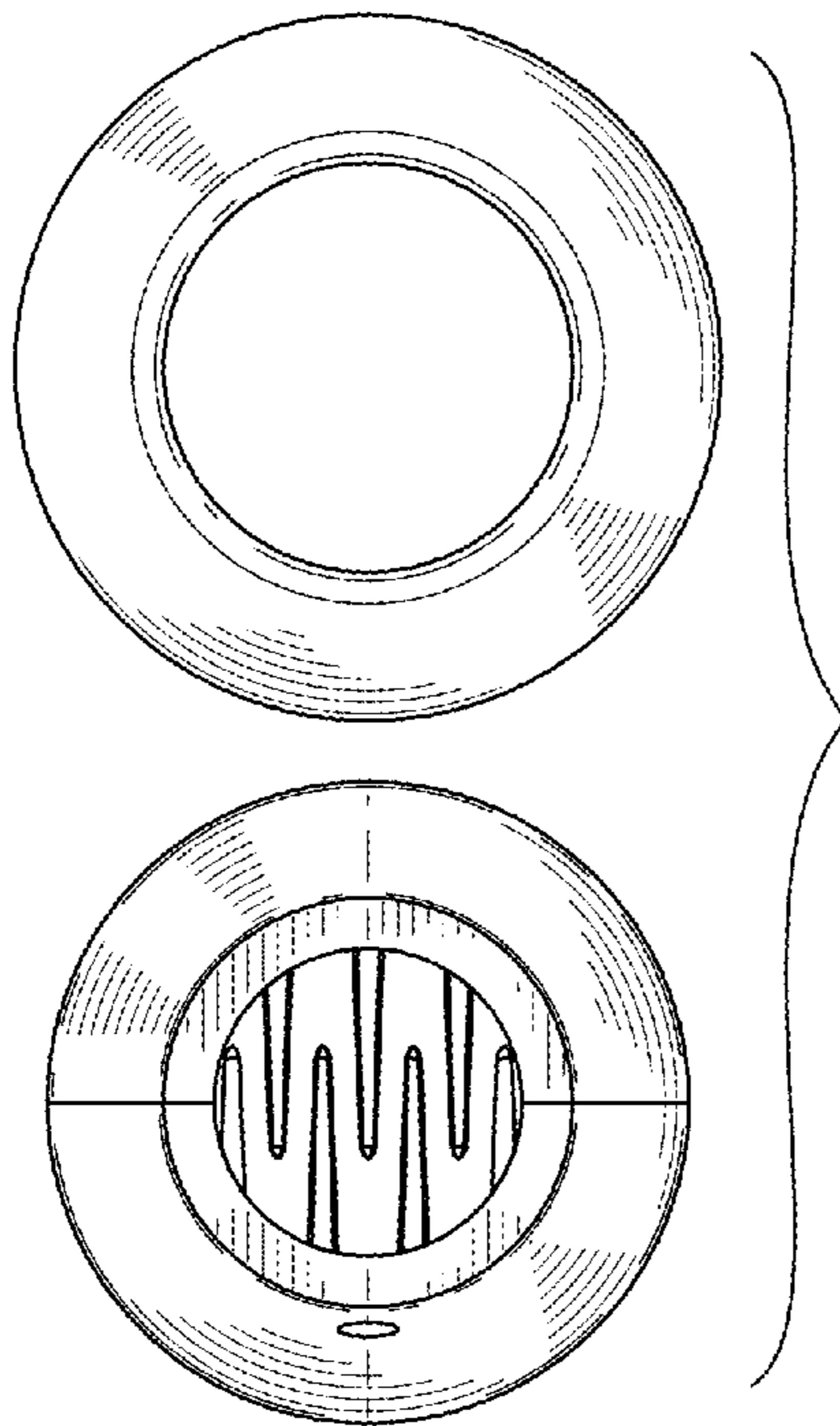


FIG. 7

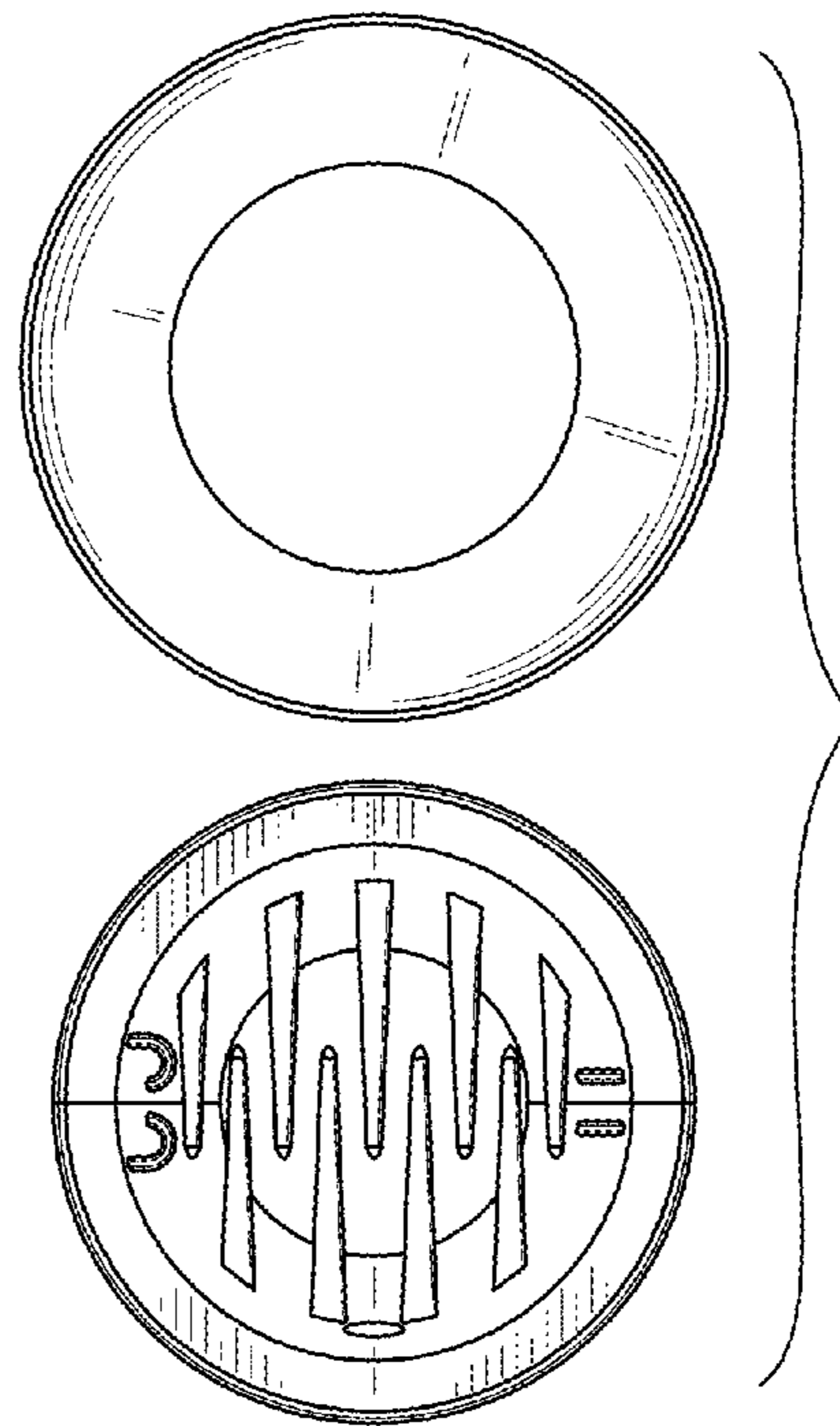


FIG. 8

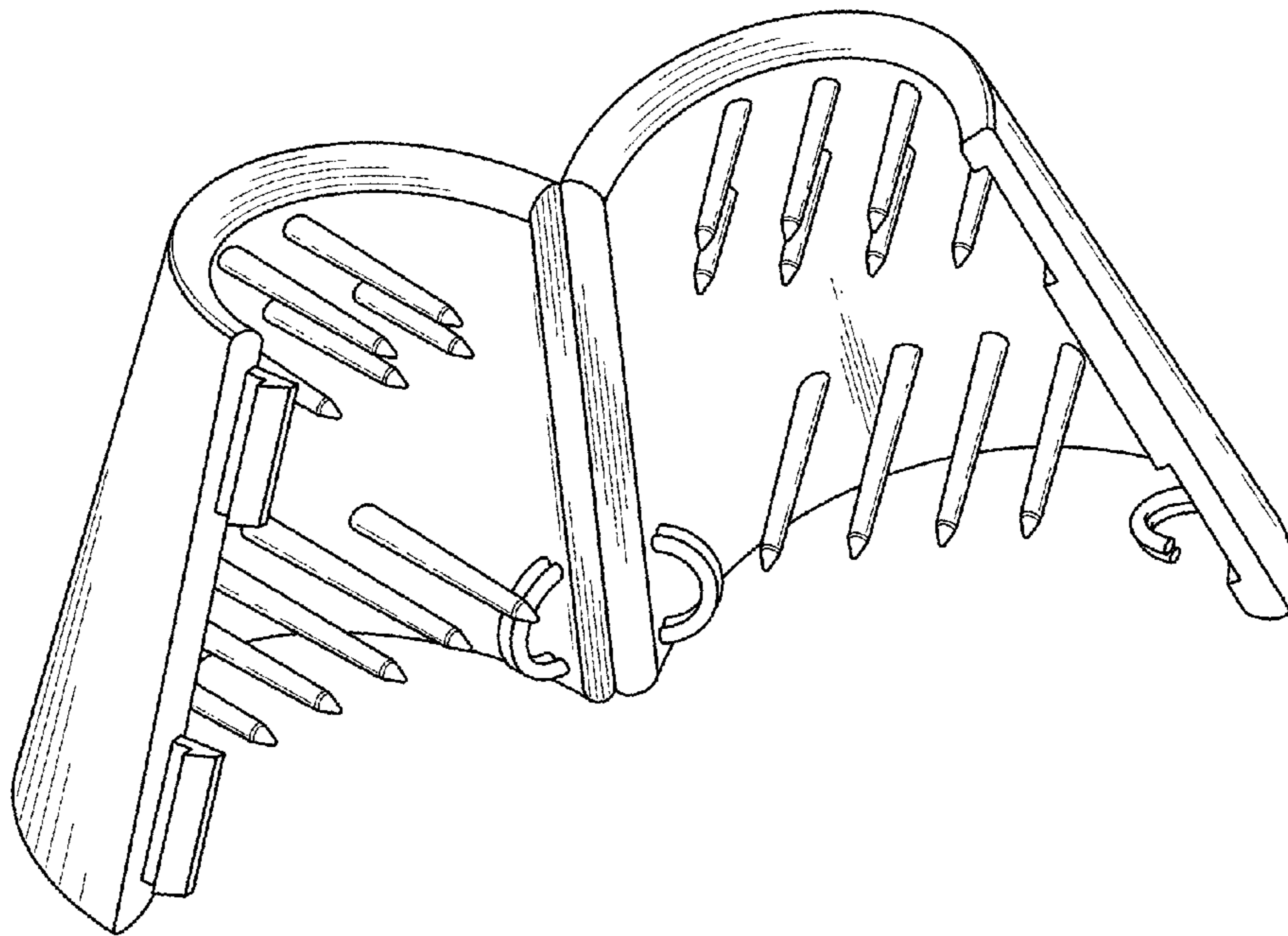


FIG. 9