



US00D764097S

(12) **United States Design Patent**  
**Hamel et al.**

(10) **Patent No.:** **US D764,097 S**  
(45) **Date of Patent:** **\*\* Aug. 16, 2016**

(54) **SHROUD FOR LED (LIGHT EMITTING DIODE) PROJECTION FIXTURE**

(71) Applicant: **Lumenpulse Lighting Inc.**, Montreal (CA)

(72) Inventors: **Yvan Hamel**, Laval (CA); **David Cavaliere**, Montreal (CA)

(73) Assignee: **Lumenpulse Lighting, Inc.** (CA)

(\*\*) Term: **14 Years**

(21) Appl. No.: **29/521,292**

(22) Filed: **Mar. 23, 2015**

**Related U.S. Application Data**

(62) Division of application No. 29/419,974, filed on May 3, 2012, now Pat. No. Des. 728,849.

(51) **LOC (10) Cl.** ..... **26-99**

(52) **U.S. Cl.**  
USPC ..... **D26/128**

(58) **Field of Classification Search**  
USPC ..... D10/18, 21, 24, 25, 27, 28, 46, 93, 104, D10/106, 113, 116.1, 121; D26/72, 113, D26/118, 120, 124, 138, 2, 89, 142, 122, D26/119, 143, 145; D13/180

CPC ..... A63H 30/04; G05G 2009/04748; H04B 1/1027; F21S 8/04; F21S 2/005; F21S 2/00; F21S 8/03; F21S 8/026; F21S 8/02; F21S 8/003; F21S 8/043; F21S 8/06; F21S 8/00; B29D 21/04; F21V 15/015; F21V 27/00; F21V 21/14; F21V 21/005; F21V 7/005; F21Y 2103/00; F41C 27/00; F41C 33/0254; G02B 5/045; G02B 5/189; G02F 2001/133607

See application file for complete search history.

(56) **References Cited**

**U.S. PATENT DOCUMENTS**

D150,357 S 7/1948 Herbster  
D240,320 S 6/1976 Anderson, Jr.

D242,943 S 1/1977 Lazerson  
D259,518 S 6/1981 Garcia et al.  
4,271,706 A 6/1981 Ledley  
D270,576 S 9/1983 Thompson  
D271,424 S 11/1983 Young et al.  
D287,413 S \* 12/1986 Kusmer ..... D26/65  
D294,523 S 3/1988 Ewing et al.  
D312,581 S 12/1990 Klaves et al.  
D330,223 S 10/1992 Crum  
D345,518 S 3/1994 Merlo  
D365,292 S 12/1995 Laverick et al.  
D370,070 S 5/1996 Kay  
D370,076 S \* 5/1996 Lecluze ..... D26/63

(Continued)

**OTHER PUBLICATIONS**

Outdoor wall or floor spot light, image post date Oct. 18, 2013, site visited Nov. 1, 2015, (online), <<http://web.archive.org/web/20131018103351/http://www.thelightingsuperstore.co.uk/Outdoor-Lighting/Spot-Lights>>.\*

*Primary Examiner* — Kevin Rudzinski

*Assistant Examiner* — Sean D Lough

(74) *Attorney, Agent, or Firm* — Burns & Levinson LLP; Joseph M. Maraia

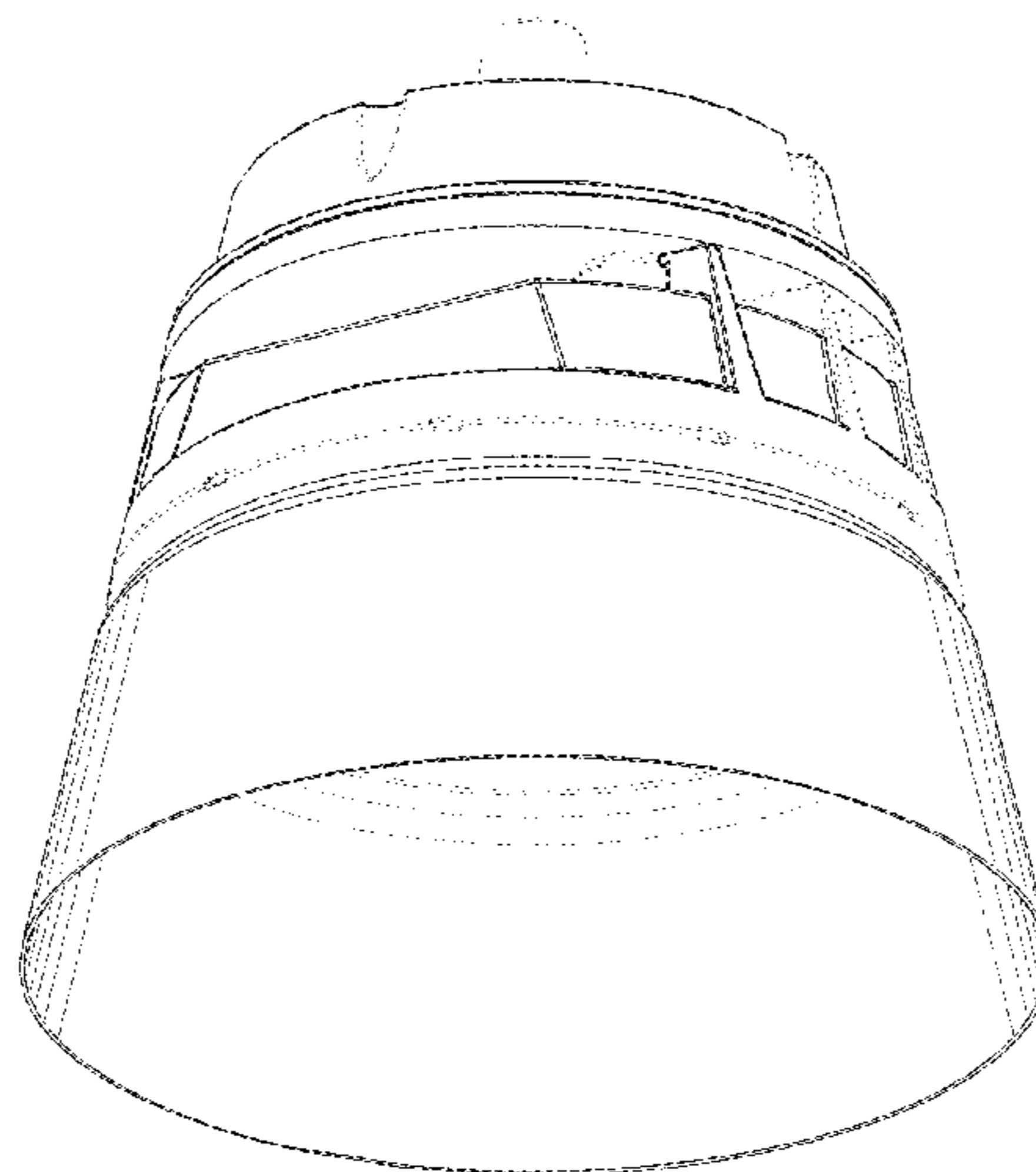
(57) **CLAIM**

The ornamental design for the shroud for LED (light emitting diode) projection fixture, as shown and described.

**DESCRIPTION**

FIG. 1 is a front perspective view of the first embodiment of the shroud for LED (light emitting diode) projection fixture; FIG. 2 is a front perspective view of the second embodiment of the shroud for LED (light emitting diode) projection fixture; and, FIG. 3 is a front perspective view of the third embodiment of the shroud for LED (light emitting diode) projection fixture.

**1 Claim, 3 Drawing Sheets**



(56)

References Cited

U.S. PATENT DOCUMENTS

D376,666 S	12/1996	Shalvi		D599,947 S	9/2009	Sabernig	
D376,667 S *	12/1996	Lucluze .....	D26/119	D604,003 S	11/2009	Sabernig	
D376,866 S	12/1996	Scott		D604,896 S	11/2009	Chen et al.	
5,584,574 A	12/1996	Haddad		D605,324 S	12/2009	Mier-Langner et al.	
D377,693 S *	1/1997	Lecluze .....	D26/63	D605,339 S	12/2009	Quadri	
D383,565 S	9/1997	Demshki, Jr. et al.		D607,138 S	12/2009	Pickett	
D389,260 S *	1/1998	Mier-Langner .....	D26/63	D608,044 S	1/2010	Pickett	
D389,592 S	1/1998	Reiser		D609,840 S	2/2010	Tang	
D394,723 S	5/1998	Mier-Langner et al.		D610,290 S	2/2010	Yoshinobu et al.	
D397,490 S *	8/1998	Lecluze .....	D26/118	D612,977 S	3/2010	Chen	
D414,579 S	9/1999	Denison et al.		D614,325 S	4/2010	Mier-Langner et al.	
6,019,493 A *	2/2000	Kuo .....	F21V 5/008 116/63 R	D616,141 S	5/2010	Tessnow et al.	
6,095,669 A	8/2000	Cho		D617,031 S *	6/2010	Redfern .....	D26/85
D435,683 S	12/2000	Hoffbauer		D617,493 S	6/2010	Engle et al.	
D436,211 S	1/2001	Neeld et al.		D618,369 S	6/2010	Lee et al.	
D442,304 S	5/2001	Huang		D618,376 S *	6/2010	Redfern .....	D26/92
D451,227 S	11/2001	Orellana et al.		D618,848 S	6/2010	Campagna	
D460,978 S	7/2002	Toste et al.		7,744,259 B2	6/2010	Walczak et al.	
6,425,680 B1 *	7/2002	Rippel .....	F21S 8/02 362/297	D619,288 S	7/2010	Mier-Langner et al.	
D477,424 S	7/2003	Avital		D619,754 S	7/2010	Lai et al.	
D479,623 S	9/2003	Fu		7,775,692 B2	8/2010	Li	
D486,801 S	2/2004	Suenaga		D623,610 S	9/2010	Mallory et al.	
D491,684 S	6/2004	McInnis		D623,779 S	9/2010	Wang et al.	
D494,288 S	8/2004	Matsui et al.		D625,030 S	10/2010	Yamamoto et al.	
D494,306 S *	8/2004	Layne .....	D26/118	D625,031 S	10/2010	Yamamoto et al.	
D495,087 S	8/2004	Brown et al.		D625,045 S *	10/2010	Chen .....	D26/126
D495,822 S	9/2004	Yoneda		D625,462 S *	10/2010	Ku .....	D26/128
D499,832 S	12/2004	Chen		D625,871 S	10/2010	Huang	
D501,689 S	2/2005	Pickett		D625,881 S	10/2010	Chen et al.	
D503,823 S	4/2005	Yurich		D626,260 S	10/2010	Wei	
6,998,452 B1	2/2006	Parker		D626,523 S	11/2010	Mallory et al.	
D519,455 S	4/2006	Tufano et al.		D627,492 S *	11/2010	Yamamoto .....	D26/2
D528,994 S	9/2006	Matsui et al.		D627,635 S	11/2010	Krupa	
7,125,147 B2	10/2006	Waring		D628,317 S *	11/2010	Yamamoto .....	D26/2
D533,641 S	12/2006	Singtoroj		7,824,075 B2	11/2010	Maxik	
7,144,140 B2	12/2006	Sun et al.		D628,881 S	12/2010	Kindig	
D538,966 S	3/2007	Lehman et al.		D631,598 S	1/2011	Kondo	
D545,457 S	6/2007	Chen		D633,099 S	2/2011	Van de Ven et al.	
D547,886 S *	7/2007	Foo .....	D26/2	D634,048 S	3/2011	Lombardi et al.	
D549,866 S	8/2007	Pan		D634,456 S *	3/2011	Jones .....	D26/24
D551,795 S	9/2007	Compton et al.		D635,292 S	3/2011	Chiang et al.	
7,270,459 B2	9/2007	Waring		7,922,363 B2	4/2011	Yang et al.	
7,273,301 B2	9/2007	Mier-Langner et al.		D638,572 S *	5/2011	Lee .....	D26/113
7,295,004 B2	11/2007	Kroner		D639,993 S	6/2011	Mier-Langner et al.	
D557,438 S *	12/2007	Hsu .....	D26/63	D639,996 S	6/2011	Stolte et al.	
D559,434 S	1/2008	Morris et al.		D640,815 S	6/2011	Yamada et al.	
D560,838 S	1/2008	Monroe et al.		D640,822 S	6/2011	Wildner	
D562,083 S	2/2008	Lown et al.		D642,329 S	7/2011	Weiss	
D562,144 S	2/2008	Lane		D645,596 S	9/2011	Yamada	
D566,885 S	4/2008	Mullen		D646,824 S	10/2011	Bembridge	
D570,035 S	5/2008	Franklin		8,029,173 B2	10/2011	Ko	
D571,036 S	6/2008	Rashidi		D648,479 S	11/2011	Herman	
D571,315 S	6/2008	Oon et al.		8,056,274 B2	11/2011	James et al.	
7,404,650 B2	7/2008	Ano et al.		D650,116 S	12/2011	Buyce et al.	
D574,551 S	8/2008	Park		D651,050 S	12/2011	Goshi	
7,419,284 B2	9/2008	Thiers et al.		8,083,374 B2	12/2011	Mo et al.	
D580,092 S	11/2008	Watkins		D651,733 S	1/2012	Becker	
D582,580 S	12/2008	Spangler et al.		D652,564 S	1/2012	Maxik	
D582,593 S	12/2008	Cheng		D653,385 S	1/2012	Parker et al.	
D583,975 S	12/2008	Kushinskaya et al.		D654,761 S	2/2012	Herbst	
D583,984 S	12/2008	Takahashi et al.		8,123,382 B2	2/2012	Patrick et al.	
D585,582 S	1/2009	Campbell		D656,263 S	3/2012	Ogawa et al.	
D587,394 S	2/2009	Pickard et al.		D656,266 S	3/2012	Gordin et al.	
D588,301 S	3/2009	Sabernig		D659,886 S	5/2012	Wauters	
D589,636 S	3/2009	Pinette		D661,834 S	6/2012	Lin	
D591,446 S	4/2009	Tufano et al.		D662,645 S	6/2012	Morgan	
D593,247 S	5/2009	Maxik et al.		D663,470 S	7/2012	Ruiz	
7,528,599 B2	5/2009	Zimmerman		D664,285 S	7/2012	Toft	
D593,342 S	6/2009	Pesso		D666,353 S	8/2012	Lin et al.	
D593,706 S	6/2009	Zayas et al.		D667,160 S	9/2012	van Klinken et al.	
D596,336 S	7/2009	Sabernig		8,297,767 B2 *	10/2012	Tseng .....	F21K 9/54 362/2
D596,342 S	7/2009	Sabernig		D670,855 S	11/2012	Turner	
D598,581 S *	8/2009	Reyhan .....	D26/2	D671,673 S *	11/2012	Young .....	D26/118
				D672,915 S	12/2012	Toft	
				D673,697 S	1/2013	Van De Ven et al.	
				D673,721 S	1/2013	Shen	
				D674,961 S	1/2013	Baran et al.	
				D674,962 S *	1/2013	Drake .....	D26/118



(56)

References Cited

U.S. PATENT DOCUMENTS

D675,370 S	1/2013	Lin et al.		9,068,719 B2	6/2015	Van De Ven et al.	
D675,771 S	2/2013	Yamada		D738,013 S	9/2015	Lin	
D676,986 S	2/2013	Maxik et al.		D739,363 S	9/2015	Sharma et al.	
D676,999 S	2/2013	Morgan		9,134,016 B2	9/2015	David et al.	
D679,446 S	4/2013	Harrington, Jr.		9,140,444 B2	9/2015	Connor	
D680,261 S	4/2013	Kong et al.		9,146,016 B2	9/2015	Zollers et al.	
D680,673 S	4/2013	Levine		D741,535 S	10/2015	Wright	
D681,867 S	5/2013	Wegger et al.		D742,059 S	10/2015	Gettings et al.	
D683,482 S	5/2013	Bierhuizen et al.		9,163,790 B2	10/2015	Ogata et al.	
D683,489 S	5/2013	Lee		2003/0137838 A1	7/2003	Rizkin et al.	
D683,493 S	5/2013	Villamizar et al.		2005/0169015 A1	8/2005	Luk et al.	
8,449,146 B2	5/2013	Chen		2005/0201118 A1*	9/2005	Godó .....	F21V 5/04 362/555
D684,306 S	6/2013	Park		2006/0056172 A1	3/2006	Fiene	
D684,310 S	6/2013	Hashimoto		2006/0077664 A1	4/2006	Wang	
8,459,824 B1	6/2013	Esmailzadeh et al.		2006/0163375 A1	7/2006	Skuzacek et al.	
D685,519 S	7/2013	Teranishi et al.		2006/0176708 A1	8/2006	Gordin et al.	
D685,521 S *	7/2013	Liang .....	D26/118	2006/0193138 A1	8/2006	Montefusco	
D687,585 S	8/2013	Kim et al.		2007/0019421 A1	1/2007	Kregness et al.	
D688,405 S	8/2013	Kim et al.		2008/0112168 A1	5/2008	Pickard et al.	
D689,648 S	9/2013	Silver		2008/0123326 A1	5/2008	Franks	
D690,053 S	9/2013	Zhang et al.		2008/0137347 A1	6/2008	Trott et al.	
D690,453 S	9/2013	Guercio et al.		2009/0073688 A1	3/2009	Patrick	
D691,321 S	10/2013	Chen et al.		2009/0303711 A1	12/2009	Remus et al.	
D691,763 S	10/2013	Hand et al.		2010/0027271 A1	2/2010	Wilcox et al.	
D692,171 S	10/2013	Randolph et al.		2010/0091498 A1	4/2010	Bierhuizen et al.	
8,545,064 B2	10/2013	Blincoe et al.		2010/0118537 A1	5/2010	Shin	
D693,500 S *	11/2013	Souvay .....	D26/44	2010/0142214 A1	6/2010	Schaefer et al.	
8,573,809 B2	11/2013	Nakamura et al.		2010/0214788 A1	8/2010	Kadono et al.	
D695,945 S	12/2013	Wright		2010/0254143 A1	10/2010	Huang	
D699,387 S	2/2014	Snell et al.		2010/0276508 A1	11/2010	Davies	
D699,885 S	2/2014	Sabernig		2010/0277933 A1	11/2010	Chen	
D700,389 S	2/2014	Dolatowski		2011/0002115 A1	1/2011	Okamura et al.	
D700,584 S	3/2014	Bhat et al.		2011/0028227 A1	2/2011	Dubois et al.	
D702,867 S	4/2014	Kim et al.		2011/0075414 A1	3/2011	Van De Ven et al.	
D703,860 S	4/2014	Crosby		2011/0080727 A1	4/2011	Maxik et al.	
8,684,565 B2 *	4/2014	Lopez .....	F21V 29/02 362/249.02	2011/0080741 A1*	4/2011	Noh .....	F21S 8/026 362/294
8,727,564 B2	5/2014	Watanabe		2011/0110076 A1	5/2011	Langner	
8,733,988 B2	5/2014	Huang et al.		2011/0128739 A1	6/2011	Hikmet et al.	
D708,777 S	7/2014	Delcotto et al.		2011/0222268 A1	9/2011	Pearson et al.	
D709,640 S	7/2014	Maxik et al.		2011/0286227 A1	11/2011	Dellian et al.	
D709,642 S	7/2014	Maxik et al.		2012/0009807 A1	1/2012	Kuo	
8,770,780 B1	7/2014	Jang et al.		2012/0106134 A1	5/2012	Chang	
D710,529 S	8/2014	Lopez et al.		2012/0170255 A1	7/2012	McMillan	
D712,087 S	8/2014	Kjaergaard Toft		2012/0243244 A1	9/2012	Wan et al.	
D713,584 S	9/2014	Maxik et al.		2012/0287613 A1	11/2012	Hamel et al.	
D714,488 S	9/2014	Chen et al.		2012/0287648 A1	11/2012	Stauner	
8,829,774 B1	9/2014	Shum et al.		2013/0135866 A1	5/2013	Souvay et al.	
8,840,275 B2	9/2014	Parker et al.		2013/0170190 A1*	7/2013	Song .....	F21V 21/044 362/147
D715,991 S	10/2014	Zhang et al.		2013/0271014 A1*	10/2013	Dasaratha .....	E01F 9/065 315/158
8,858,016 B2 *	10/2014	Strelchuk .....	F21V 29/2293 362/184	2014/0268687 A1	9/2014	Teitel	
D723,192 S *	2/2015	Soni .....	D26/2	2014/0340897 A1	11/2014	Thijssen et al.	
8,960,965 B2	2/2015	Horng		2014/0347848 A1	11/2014	Pisavadia et al.	
D723,726 S	3/2015	Reed et al.		2014/0347853 A1	11/2014	Avina Silva	
D723,729 S	3/2015	Maxik et al.		2015/0131272 A1	5/2015	Walker	
D728,130 S *	4/2015	Hockemeyer .....	D26/2	2015/0198324 A1*	7/2015	O'Brien .....	F21V 29/70 362/294
8,998,433 B2	4/2015	Li et al.		2015/0222045 A1	8/2015	Lee et al.	
8,998,452 B2	4/2015	Parker et al.		2015/0226902 A1	8/2015	Ballard et al.	
9,004,723 B2	4/2015	Zakula et al.		2015/0276199 A1*	10/2015	Zanola .....	F21K 9/30 362/294
9,004,730 B2	4/2015	LaVigna et al.		2015/0300612 A1*	10/2015	Stathes .....	F21V 21/28 362/419
D728,849 S *	5/2015	Hamel .....	D26/128	2015/0308667 A1*	10/2015	Corkill .....	F21V 21/02 362/147
D729,424 S	5/2015	Li					
D730,555 S	5/2015	Gebhard et al.					
9,028,100 B2	5/2015	Li et al.					
D730,848 S	6/2015	Lin					
9,062,837 B2 *	6/2015	Wronski .....	F21S 8/02				

\* cited by examiner

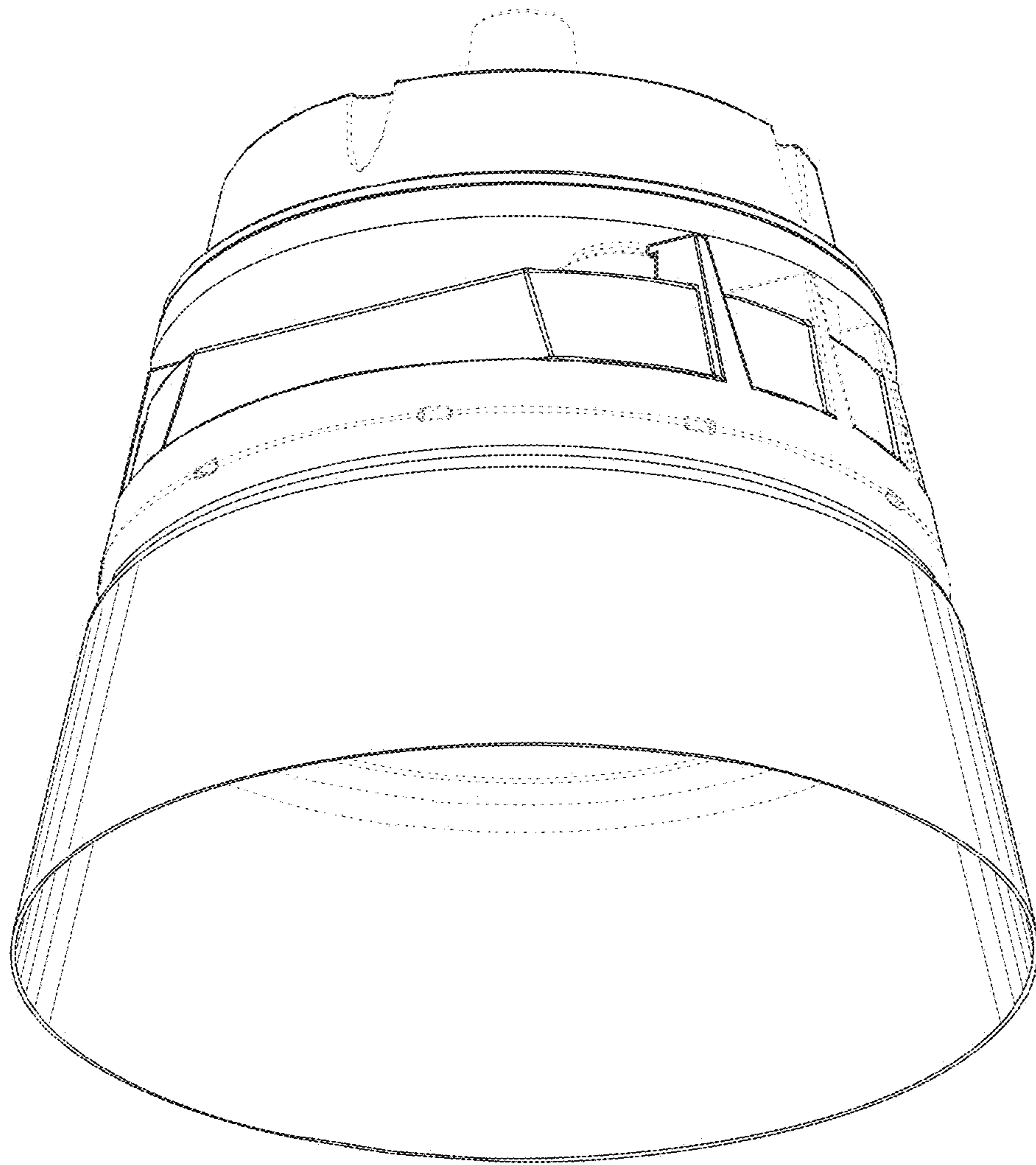


FIG. 1

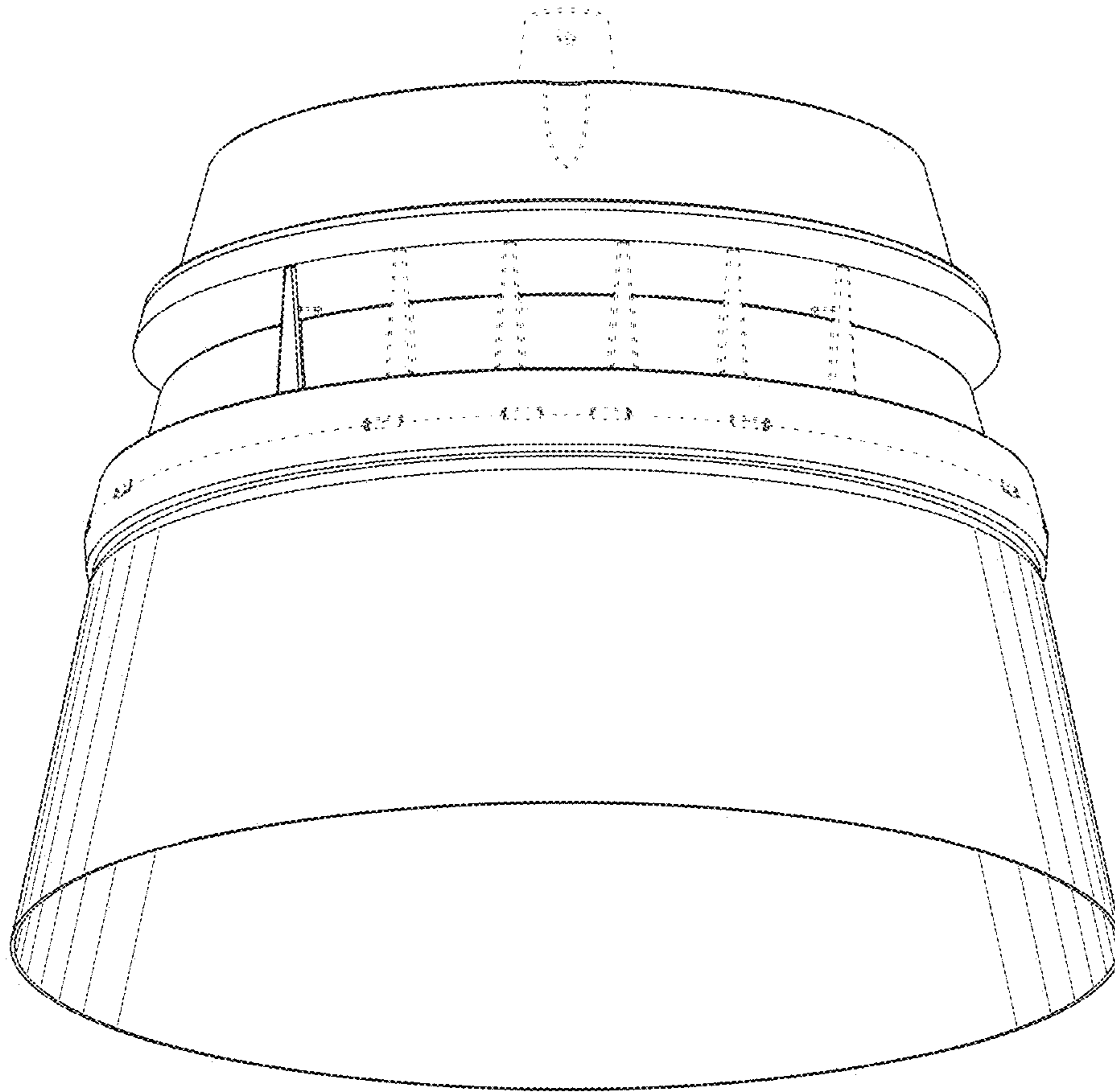


FIG. 2

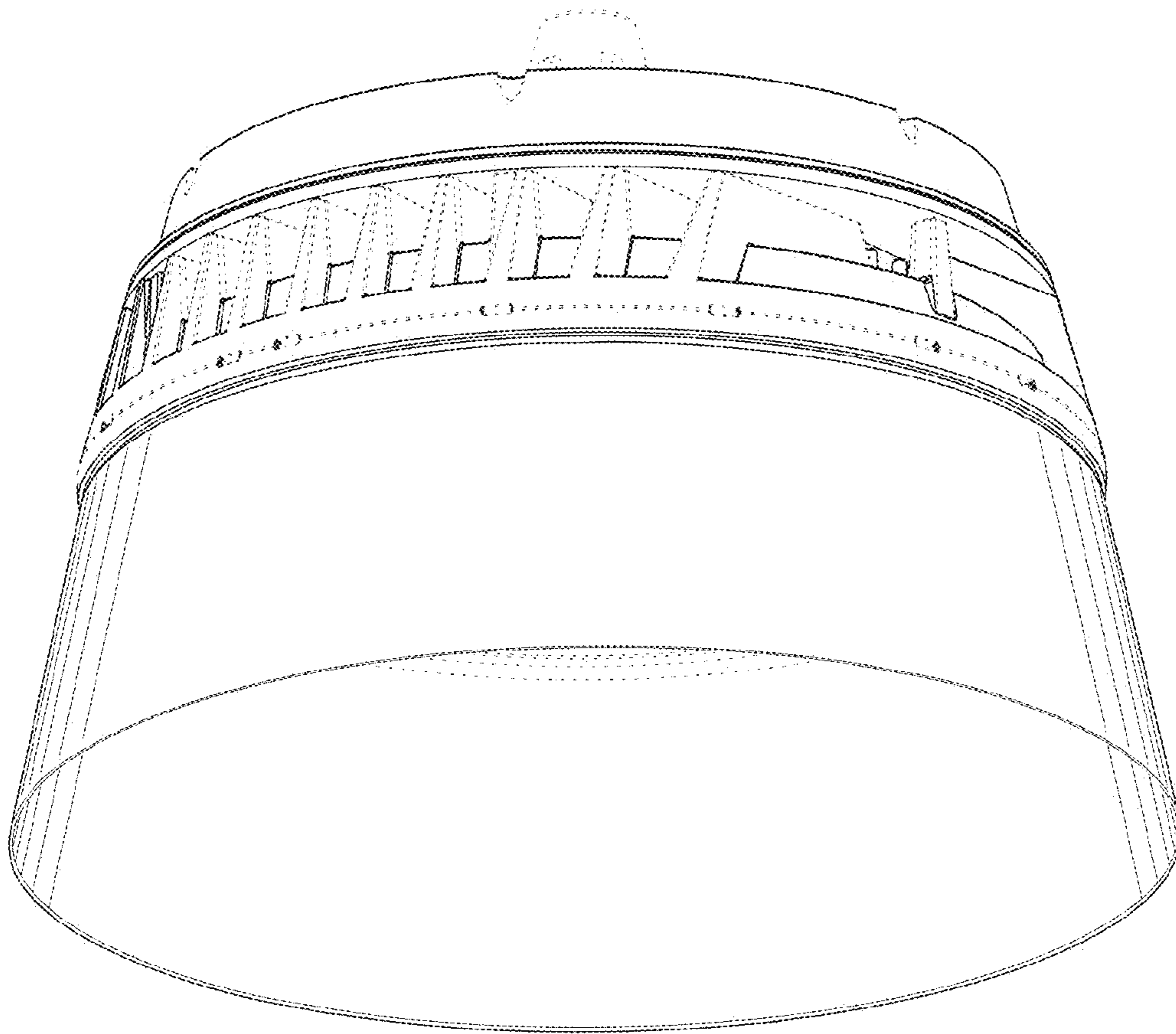


FIG. 3