



US00D764096S

(12) **United States Design Patent**
Bi

(10) **Patent No.:** **US D764,096 S**

(45) **Date of Patent:** **** Aug. 16, 2016**

(54) **TABLE LAMP**

(71) Applicant: **Adot Lighting Co., Ltd.**, Xi'an, Shaanxi (CN)

(72) Inventor: **Bill Bi**, Shaanxi (CN)

(73) Assignee: **ADOT LIGHTING CO., LTD.**, Xi'an, Shaanxi (CN)

(**) Term: **14 Years**

(21) Appl. No.: **29/504,041**

(22) Filed: **Oct. 1, 2014**

(30) **Foreign Application Priority Data**

Apr. 1, 2014 (CN) 2014 3 0083538

(51) **LOC (10) Cl.** **26-03**

(52) **U.S. Cl.**
USPC **D26/93**

(58) **Field of Classification Search**

USPC D26/24, 93, 102, 104, 106, 107

CPC F21S 6/00; F21S 6/002; F21S 8/036;

F21S 8/08; F21V 21/00; F21V 21/02; F21V

21/06; F21V 21/116; F21W 2131/30

See application file for complete search history.

(56) **References Cited**

U.S. PATENT DOCUMENTS

D301,632 S * 6/1989 Lohrentz D26/61

D672,904 S * 12/2012 Tang D26/93

D681,865 S * 5/2013 Lee D26/93

* cited by examiner

Primary Examiner — Brian N Vinson

(74) *Attorney, Agent, or Firm* — David D. Brush; Westman, Champlin & Koehler, P.A.

(57) **CLAIM**

The ornamental design for a table lamp, as shown and described.

DESCRIPTION

FIG. 1 is a front perspective view of a table lamp showing my new design;

FIG. 2 is a front view thereof;

FIG. 3 is a rear view thereof;

FIG. 4 is a left side view thereof;

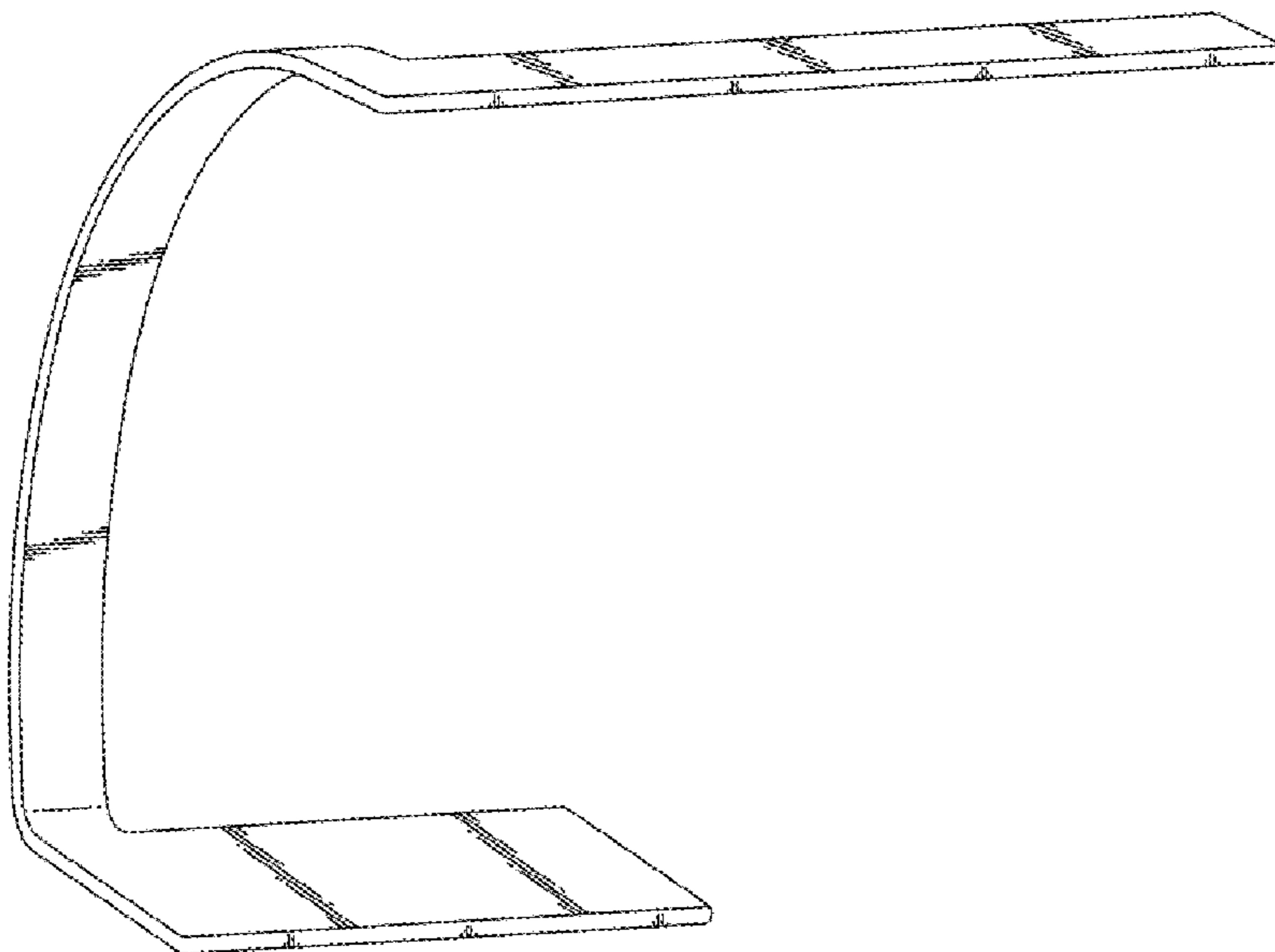
FIG. 5 is a right side view thereof;

FIG. 6 is a top view thereof; and,

FIG. 7 is a bottom view thereof.

The broken lines are included for the purpose of illustrating environmental structure and form no part of the claimed design. Broken lines adjacent shaded areas of the design represent the bounds of the claimed design and are not themselves, nor the area within the broken lines, a part of the claimed design.

1 Claim, 3 Drawing Sheets



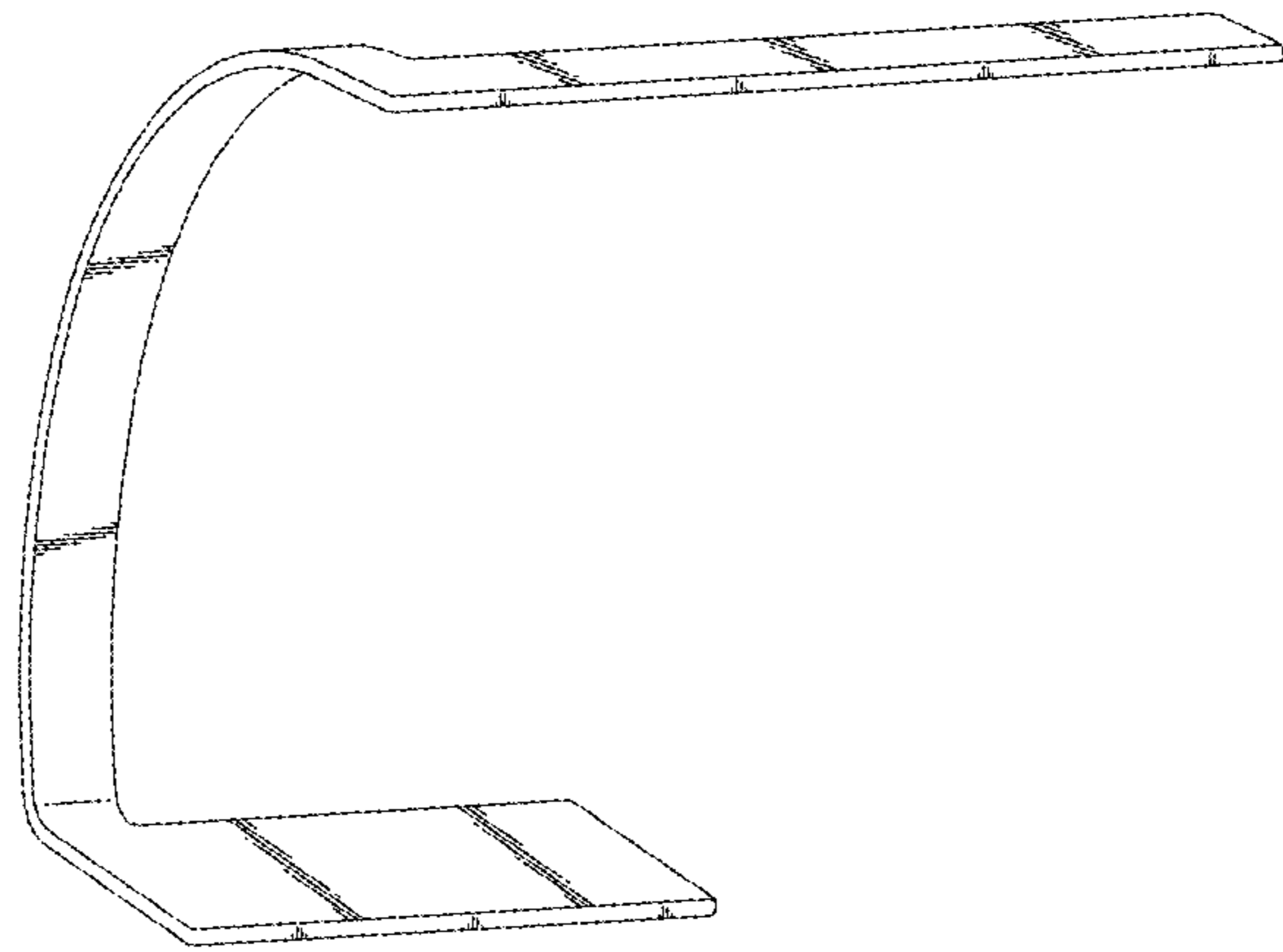


Fig. 1

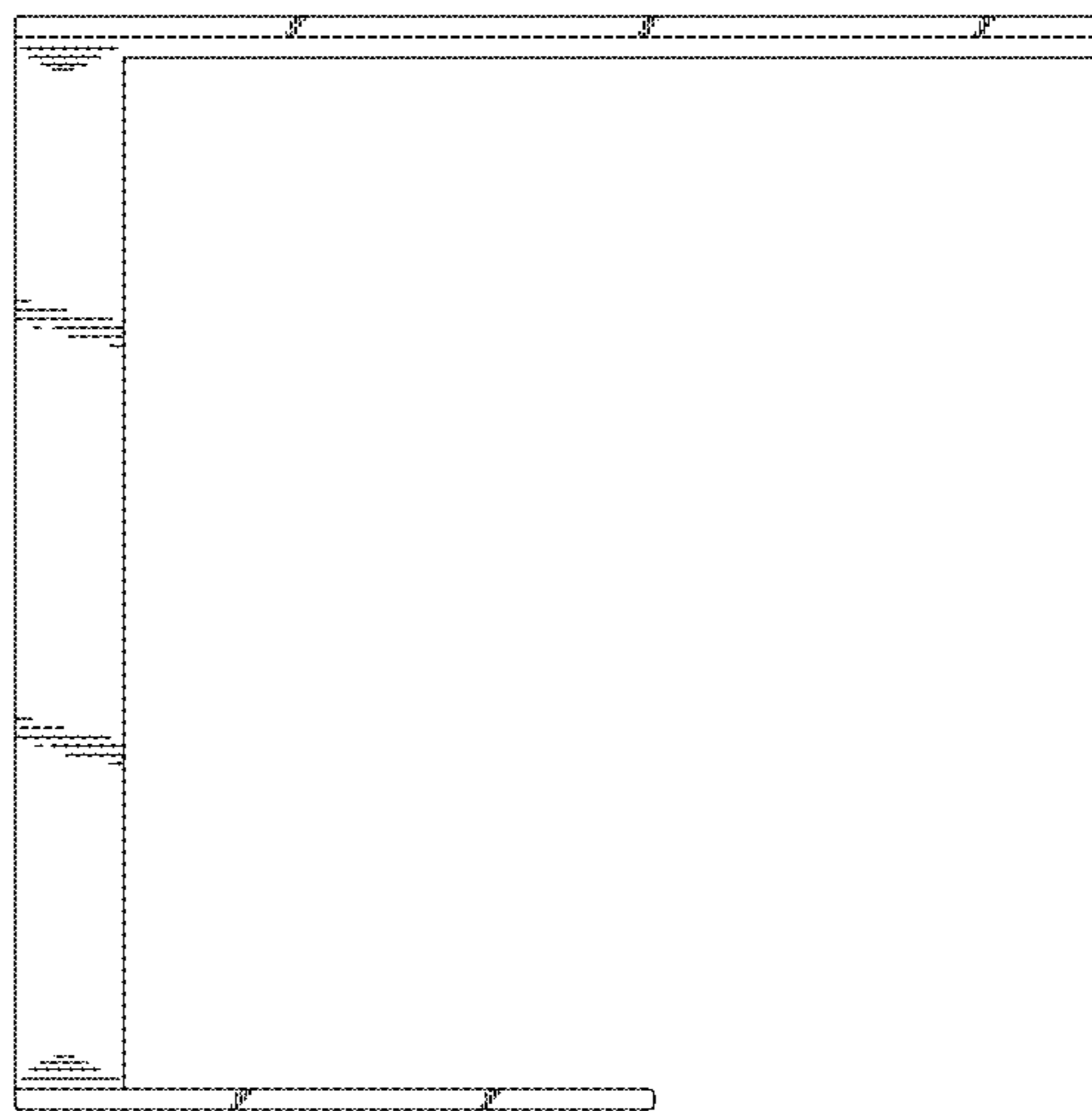


Fig. 2

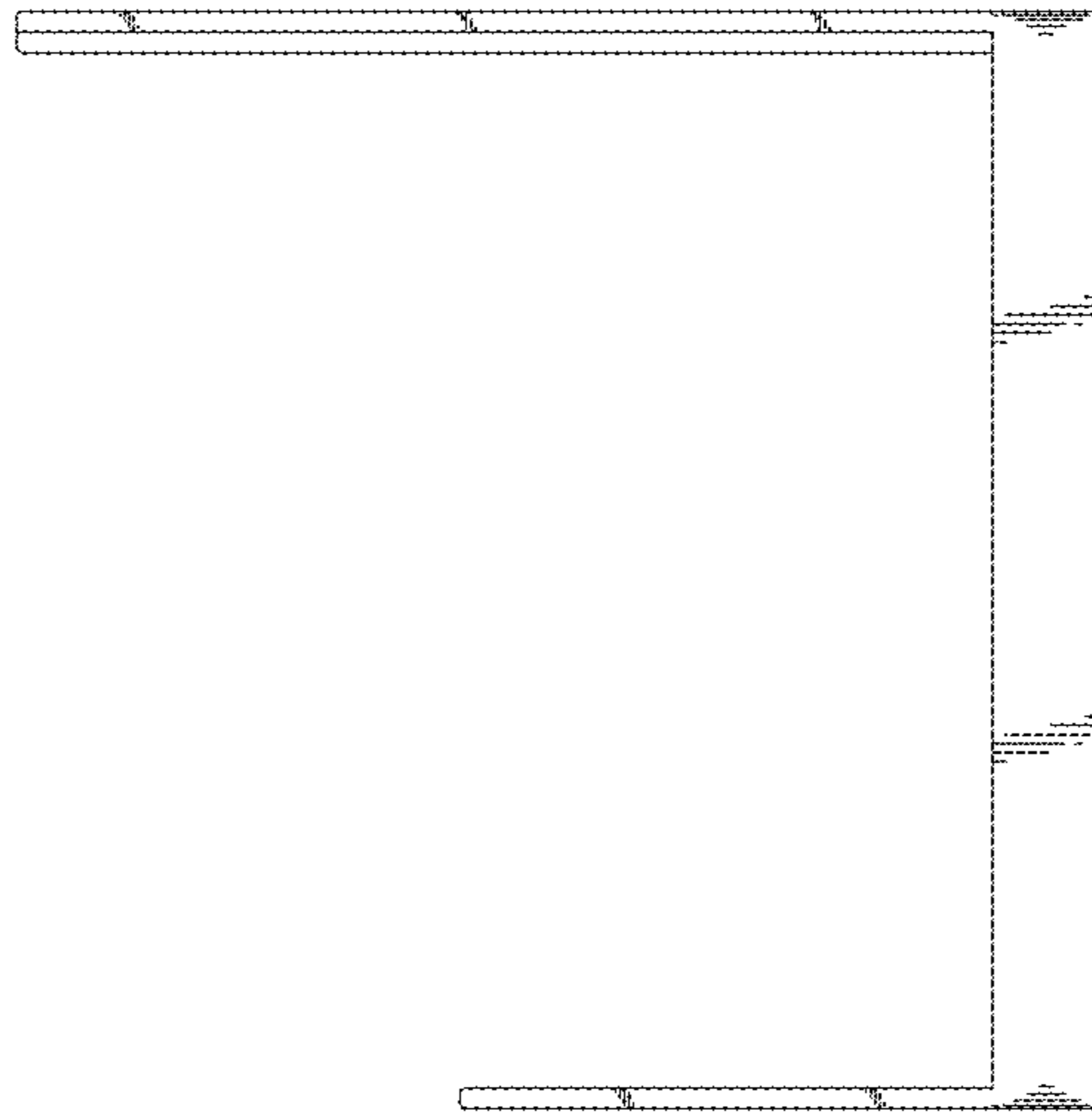


Fig. 3

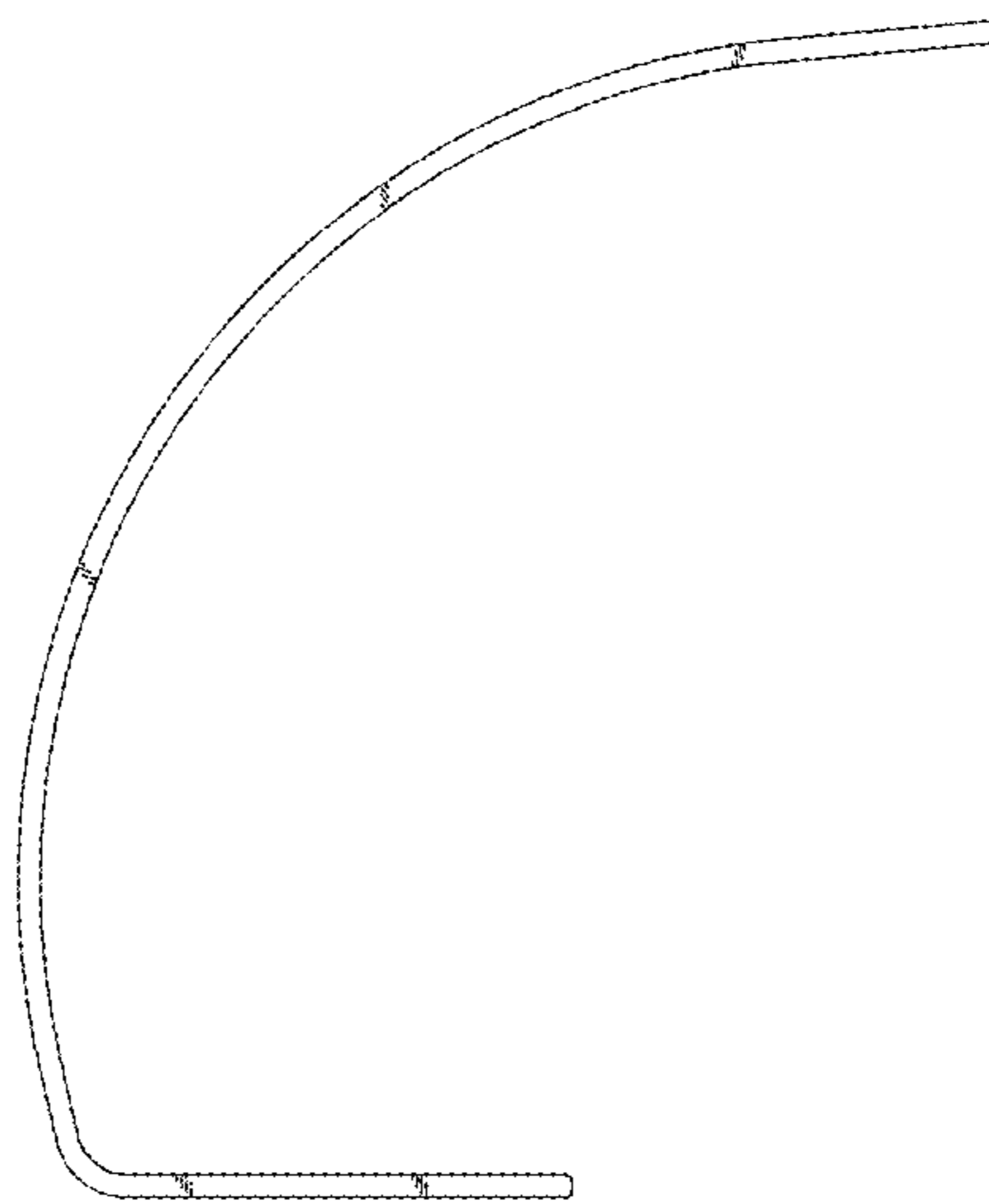


Fig.4

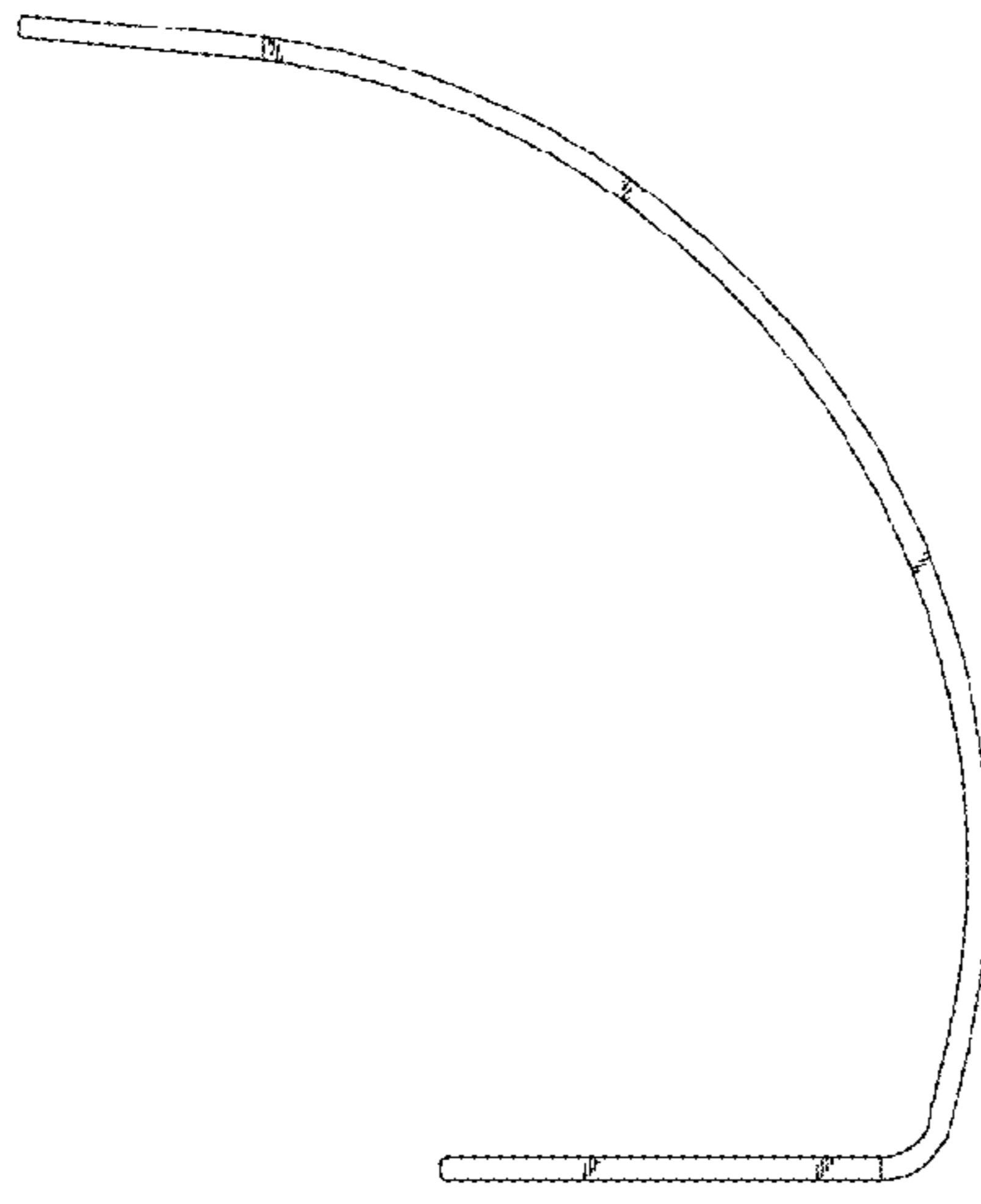


Fig.5

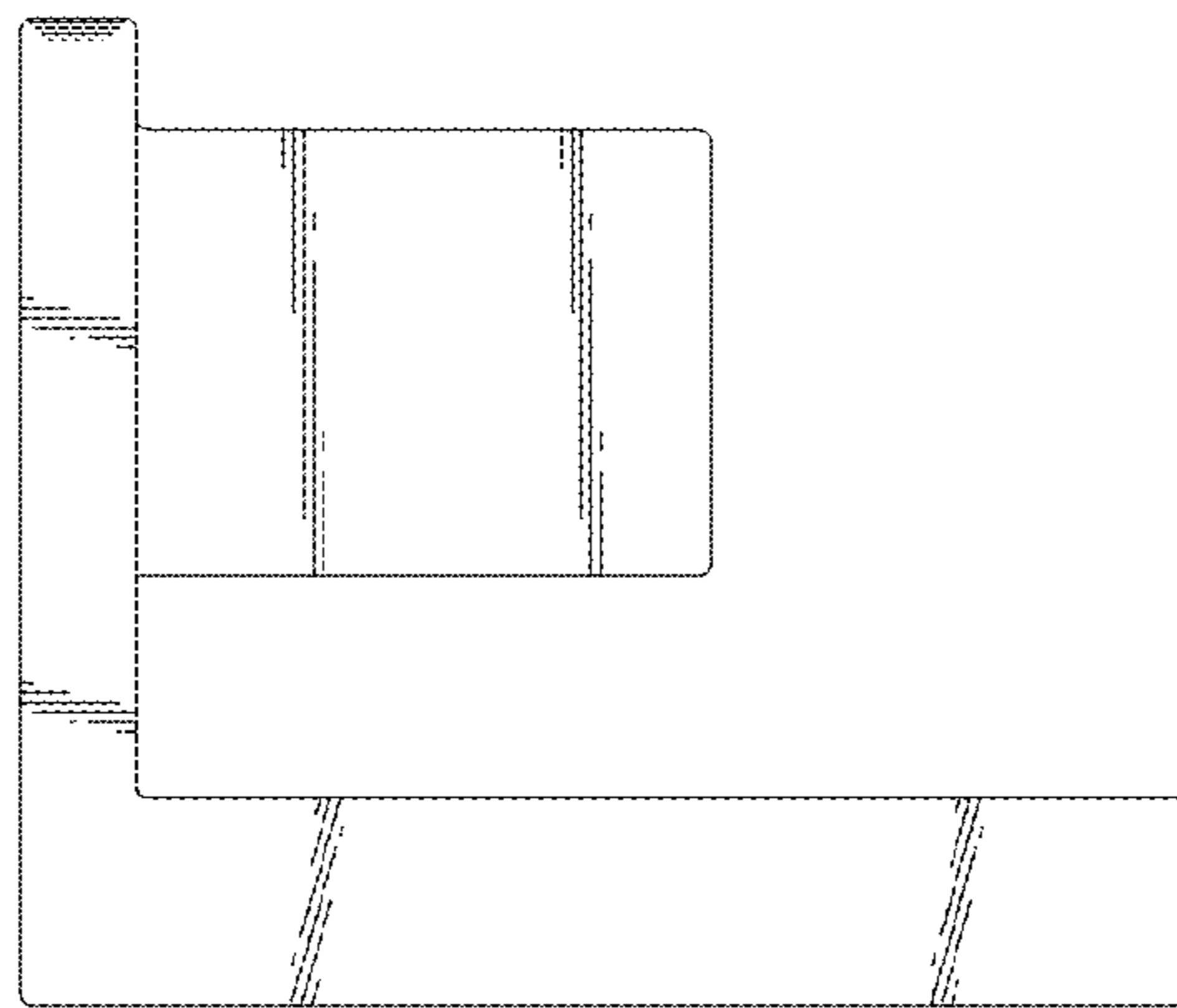


Fig.6

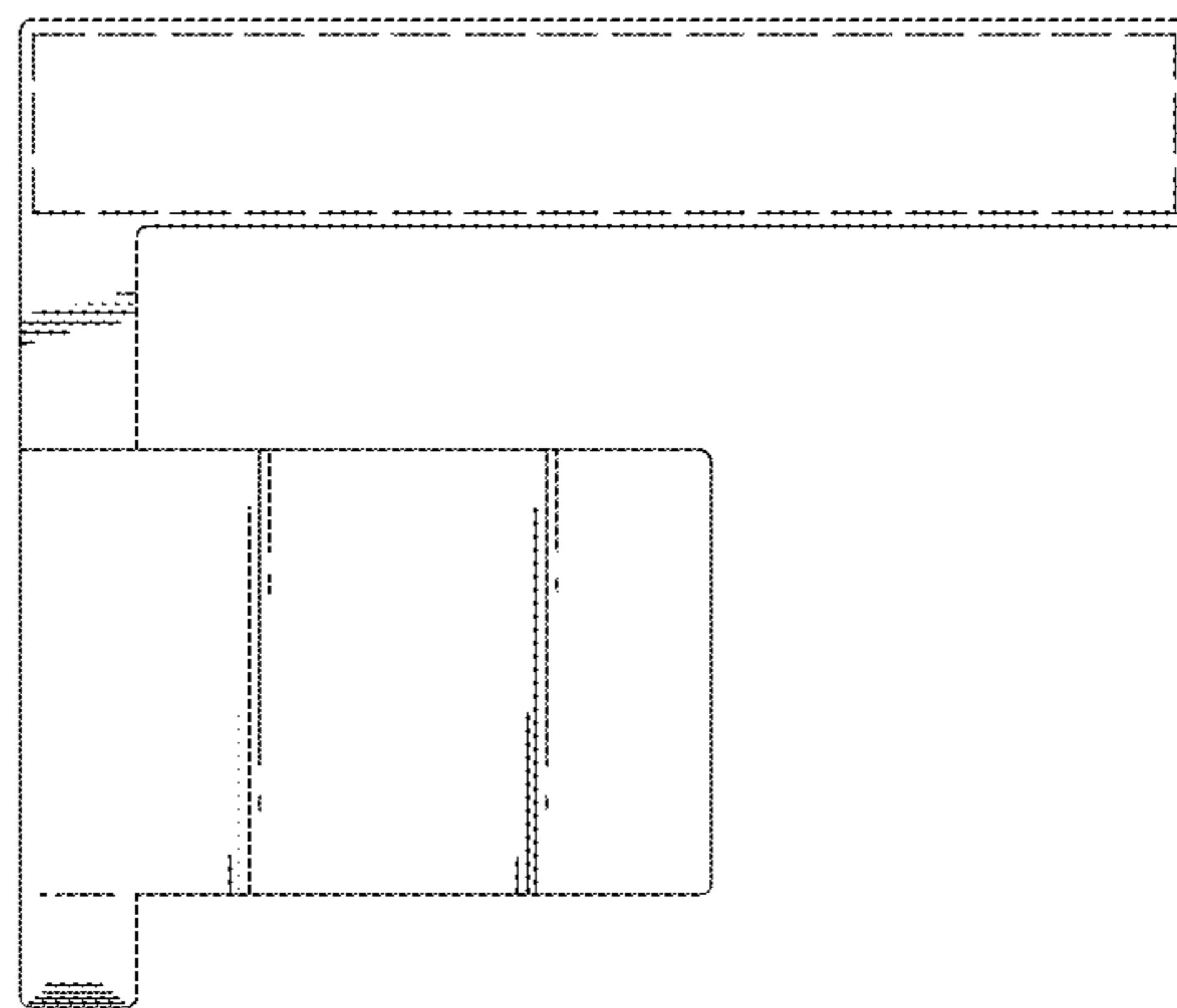


Fig.7