



US00D764094S

(12) **United States Design Patent**
Zhai et al.

(10) **Patent No.:** **US D764,094 S**

(45) **Date of Patent:** **** Aug. 16, 2016**

- (54) **LED HIGH BAY LIGHT FIXTURE**
- (71) Applicant: **Foxconn Technology Co., Ltd.**, New Taipei (TW)
- (72) Inventors: **Ming-Hui Zhai**, Shenzhen (CN); **Wen Xu**, Shenzhen (CN); **Shih-Hsun Wung**, New Taipei (TW)
- (73) Assignee: **Foxconn Technology Co., Ltd.**, New Taipei (TW)
- (**) Term: **14 Years**

(21) Appl. No.: **29/513,847**

(22) Filed: **Jan. 6, 2015**

(51) **LOC (10) Cl.** **26-03**

(52) **U.S. Cl.**
USPC **D26/88; D26/72**

(58) **Field of Classification Search**
USPC D26/72, 88
CPC F21S 8/04; F21S 8/06; F21V 29/02;
F21V 29/70; F21V 29/74; F21V 29/76;
F21V 21/008; F21V 21/088; F21V 21/0885;
F21V 29/2206

See application file for complete search history.

(56) **References Cited**

U.S. PATENT DOCUMENTS

D269,639	S	*	7/1983	Eargle, Jr.	D26/88
D302,737	S	*	8/1989	Hoke	D26/88
5,820,252	A	*	10/1998	Finch	F21V 29/004 362/264
6,390,655	B1	*	5/2002	Haugaard	F21S 8/04 362/265
D573,288	S	*	7/2008	Xu	D26/67
D582,600	S	*	12/2008	Guercio	D26/88
D642,316	S	*	7/2011	Zheng	D26/2
D657,088	S	*	4/2012	Miro	D26/85
D688,408	S	*	8/2013	Wung	D26/72
D690,453	S	*	9/2013	Guercio	D26/72
D741,533	S	*	10/2015	Yeh	D26/72
2004/0240226	A1	*	12/2004	Gross	F21S 48/215 362/544

2007/0030682	A1	*	2/2007	Haugaard	F21S 8/06 362/264
2007/0081345	A1	*	4/2007	Wilcox	F21V 29/74 362/382
2011/0211342	A1	*	9/2011	Sandoval	F21S 8/06 362/216
2013/0100677	A1	*	4/2013	Powell	F21S 8/06 362/296.01
2013/0223083	A1	*	8/2013	Kimiya	F21V 29/2206 362/382
2013/0265781	A1	*	10/2013	Yang	F28F 3/02 362/373
2013/0308314	A1	*	11/2013	Wung	F21V 29/2206 362/249.02
2014/0185288	A1	*	7/2014	Cunningham	F21K 9/50 362/235
2014/0347848	A1	*	11/2014	Pisavadia	F21K 9/30 362/190

OTHER PUBLICATIONS

LEDi2 180W 101 Series LED High Bay Light Fixture 5000K (cool white), 120-277V from alibaba.com visited Mar. 30, 2016. (3 pages total).*

* cited by examiner

Primary Examiner — Clare E Heflin

(74) *Attorney, Agent, or Firm* — ScienBiziP, P.C.

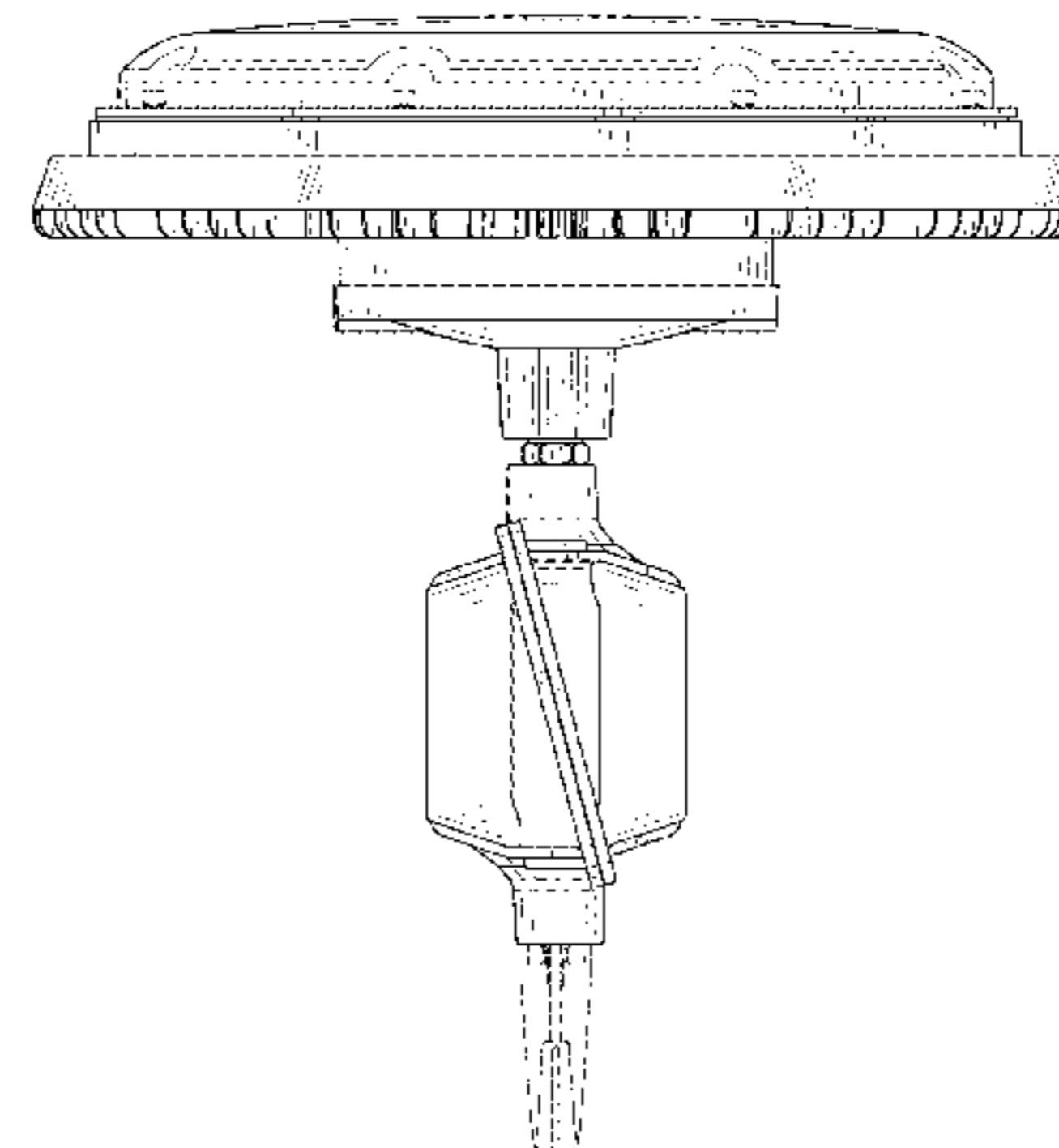
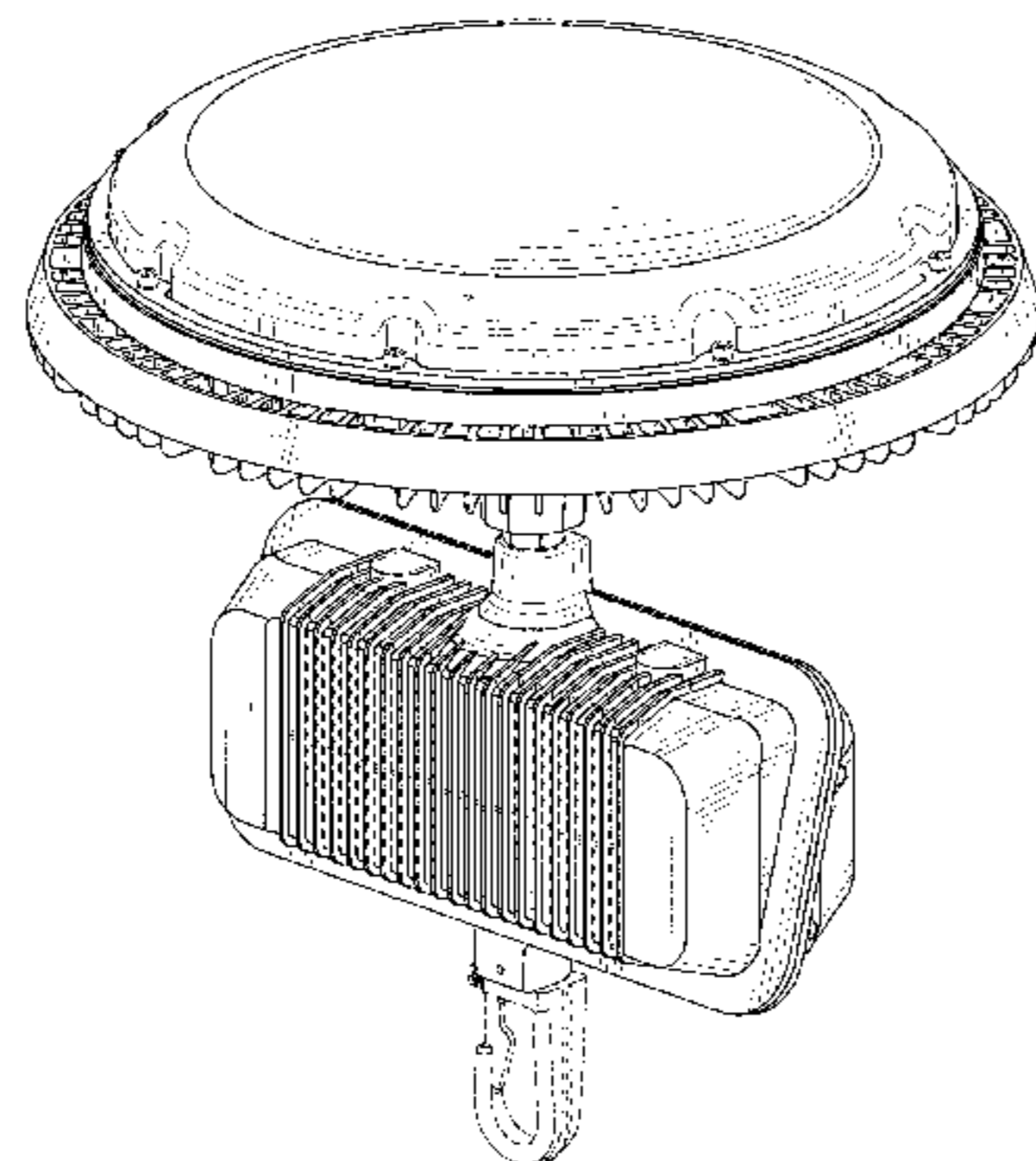
(57) **CLAIM**

The ornamental design for an LED high bay light fixture, as shown and described.

DESCRIPTION

FIG. 1 is a perspective view of the LED high bay light fixture showing our new design;
FIG. 2 is a front elevation view thereof;
FIG. 3 is a rear elevation view thereof;
FIG. 4 is a left side elevation view thereof;
FIG. 5 is a right side elevation view thereof;
FIG. 6 is a top plan view thereof; and,
FIG. 7 is a bottom plan view thereof.
The broken lines shown on the drawings depict portions of the LED high bay light fixture that form no part of the claimed design.

1 Claim, 7 Drawing Sheets



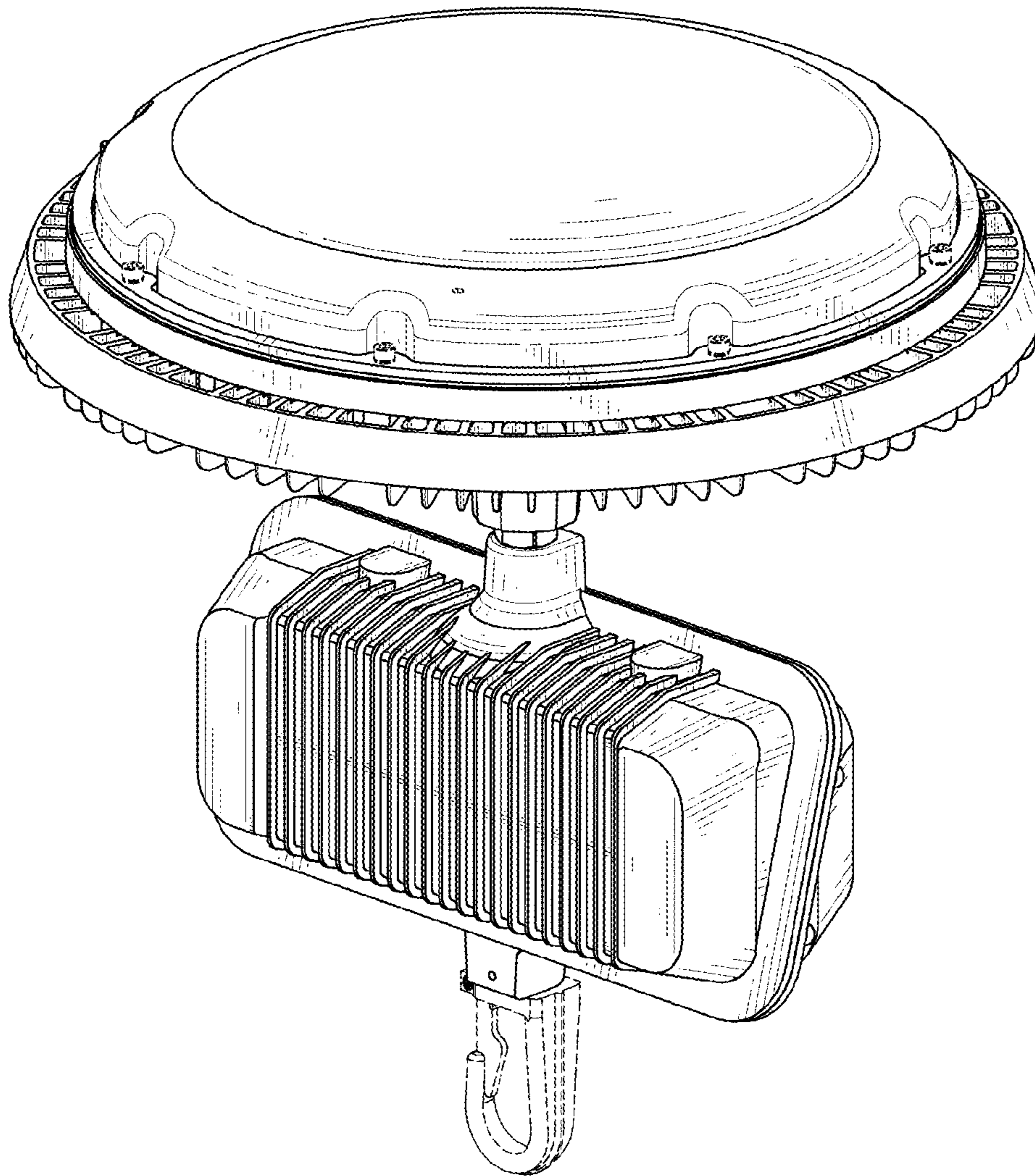


FIG. 1

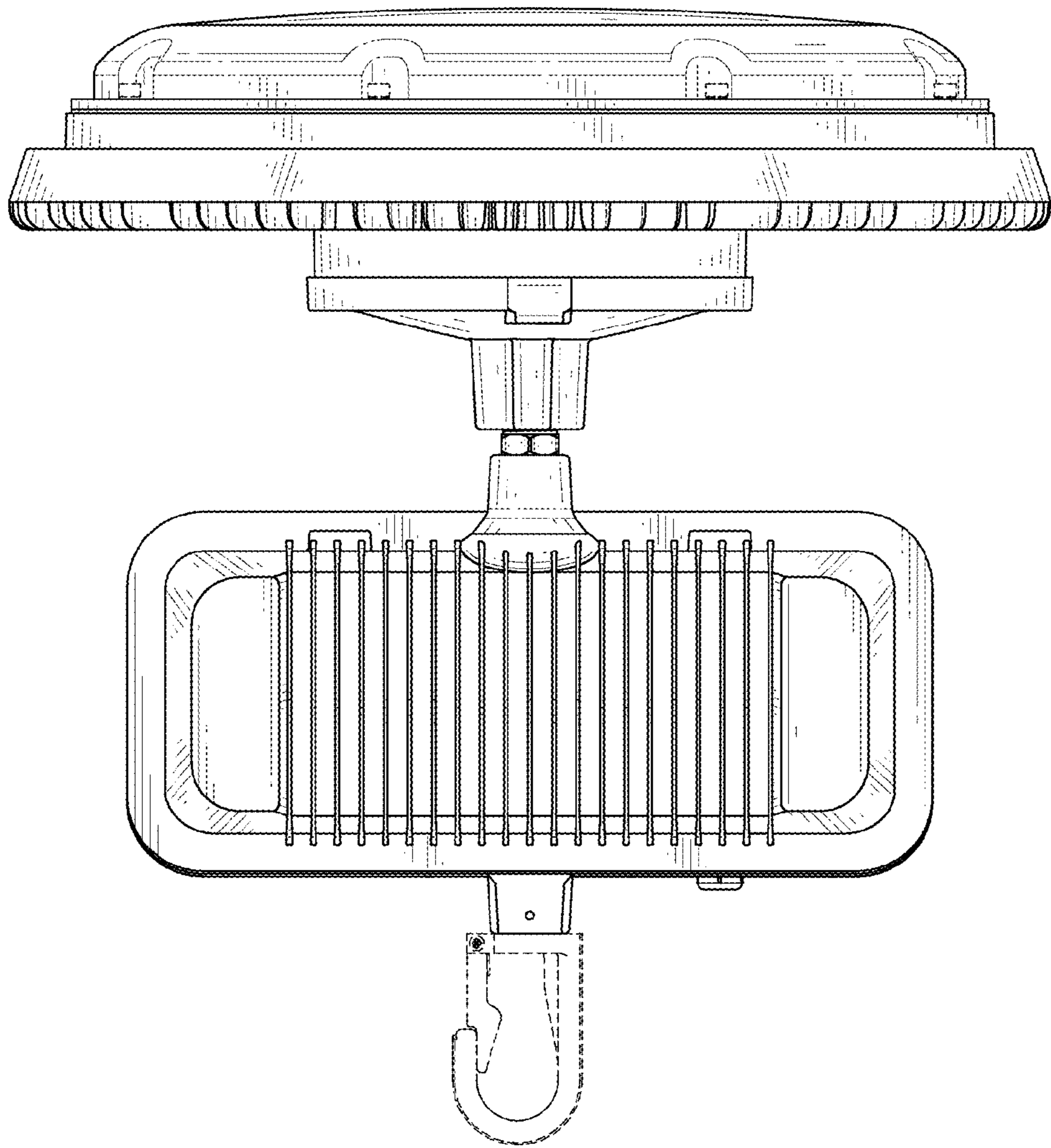


FIG. 2

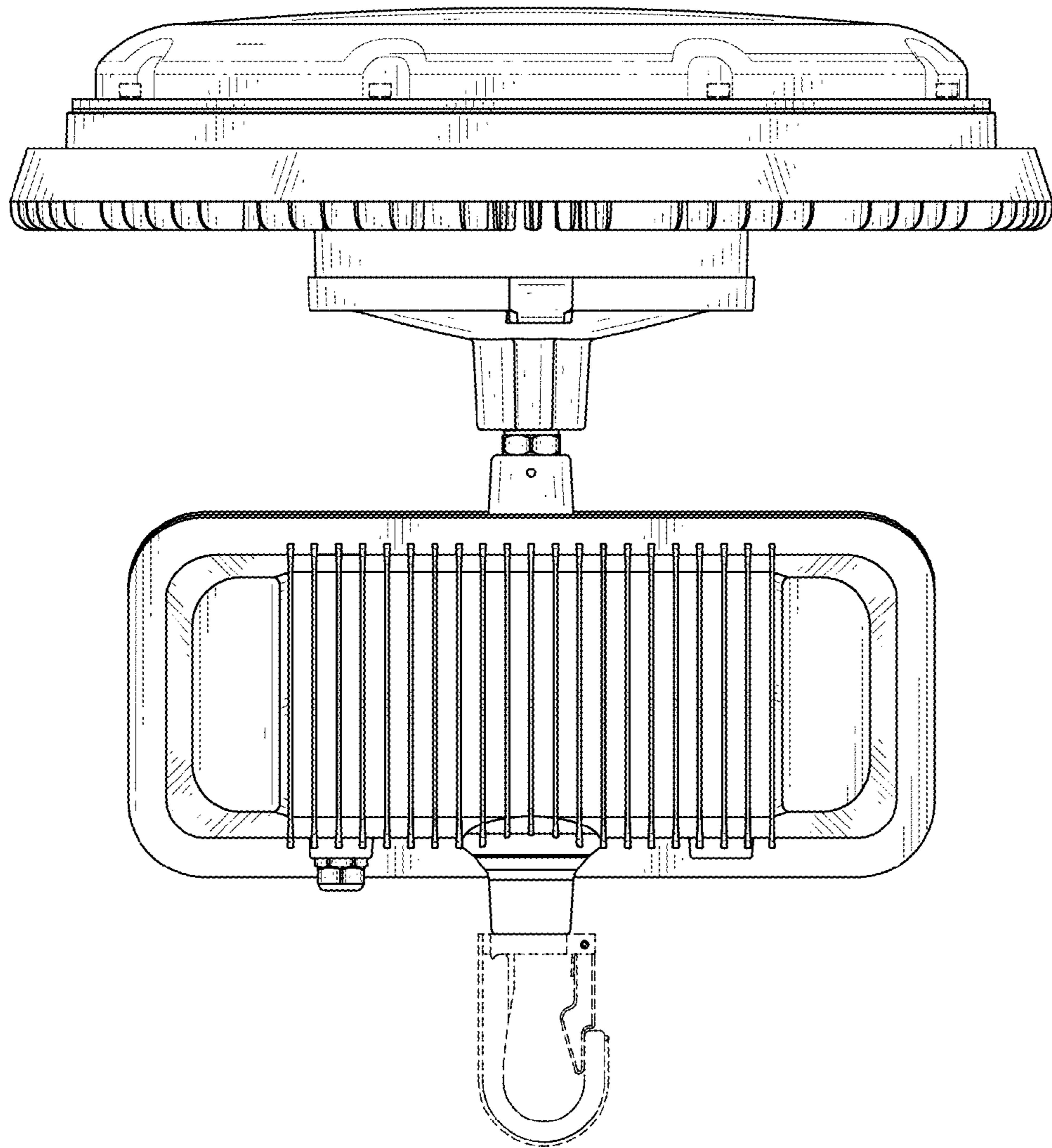


FIG. 3

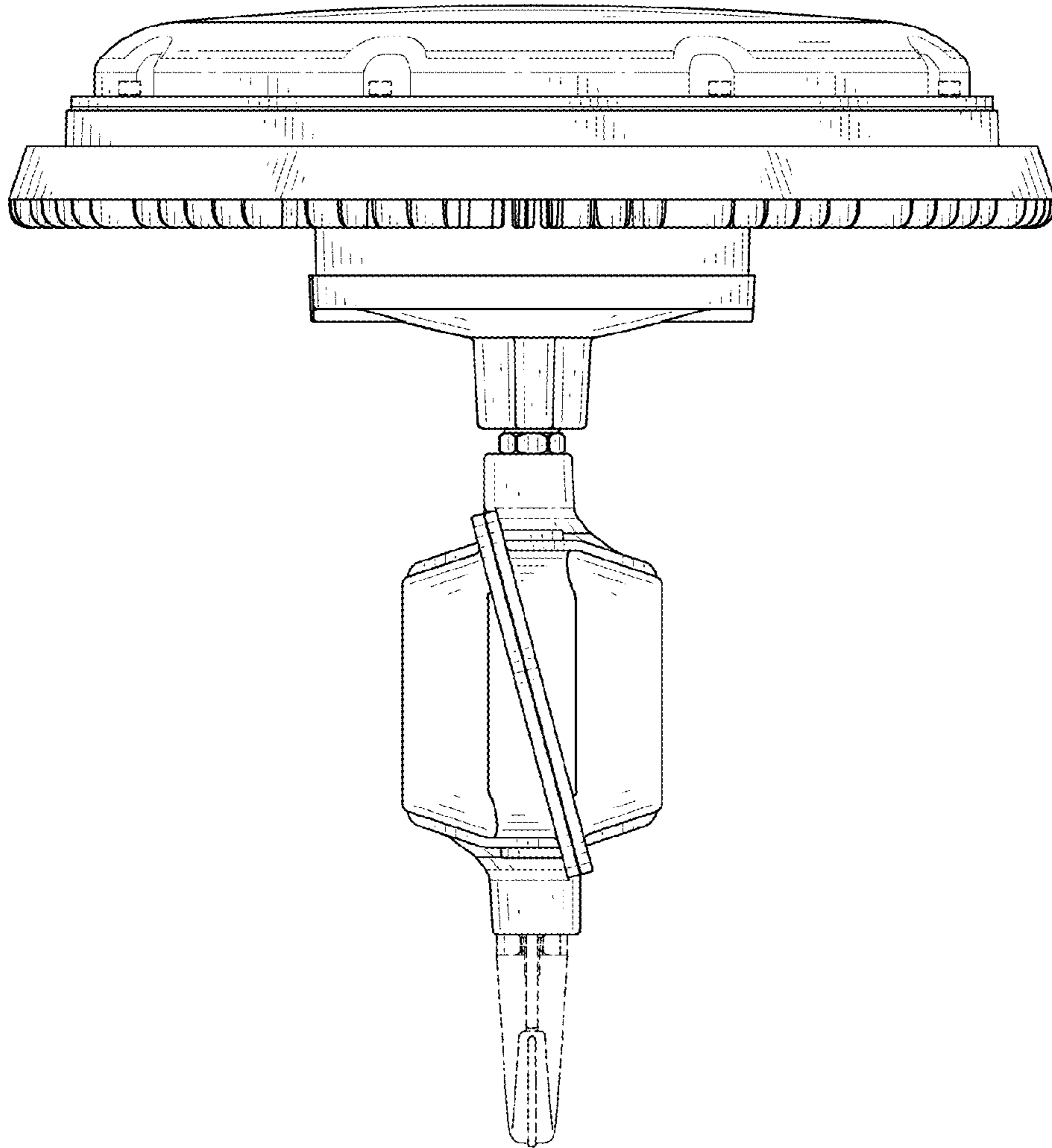


FIG. 4

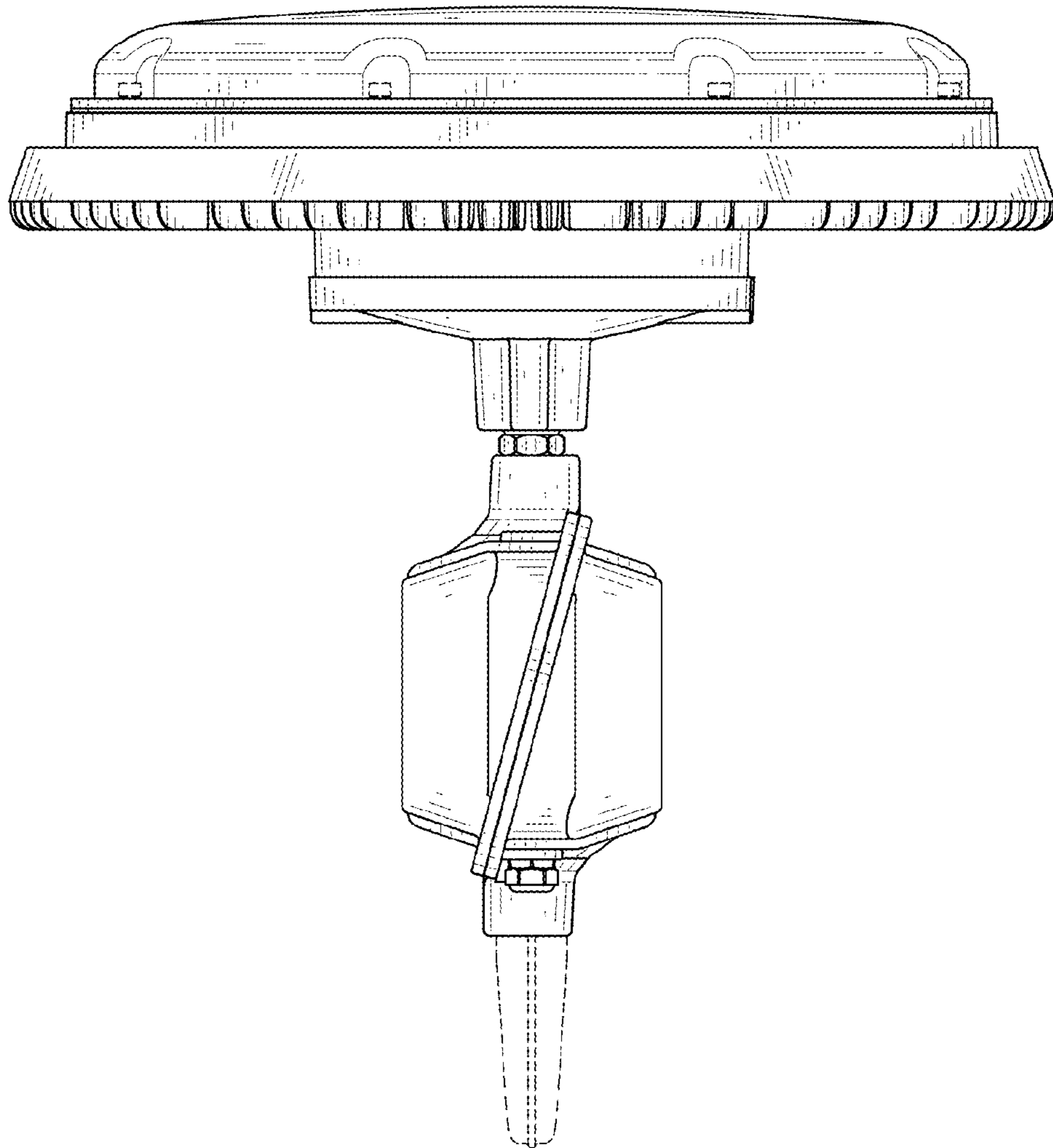


FIG. 5

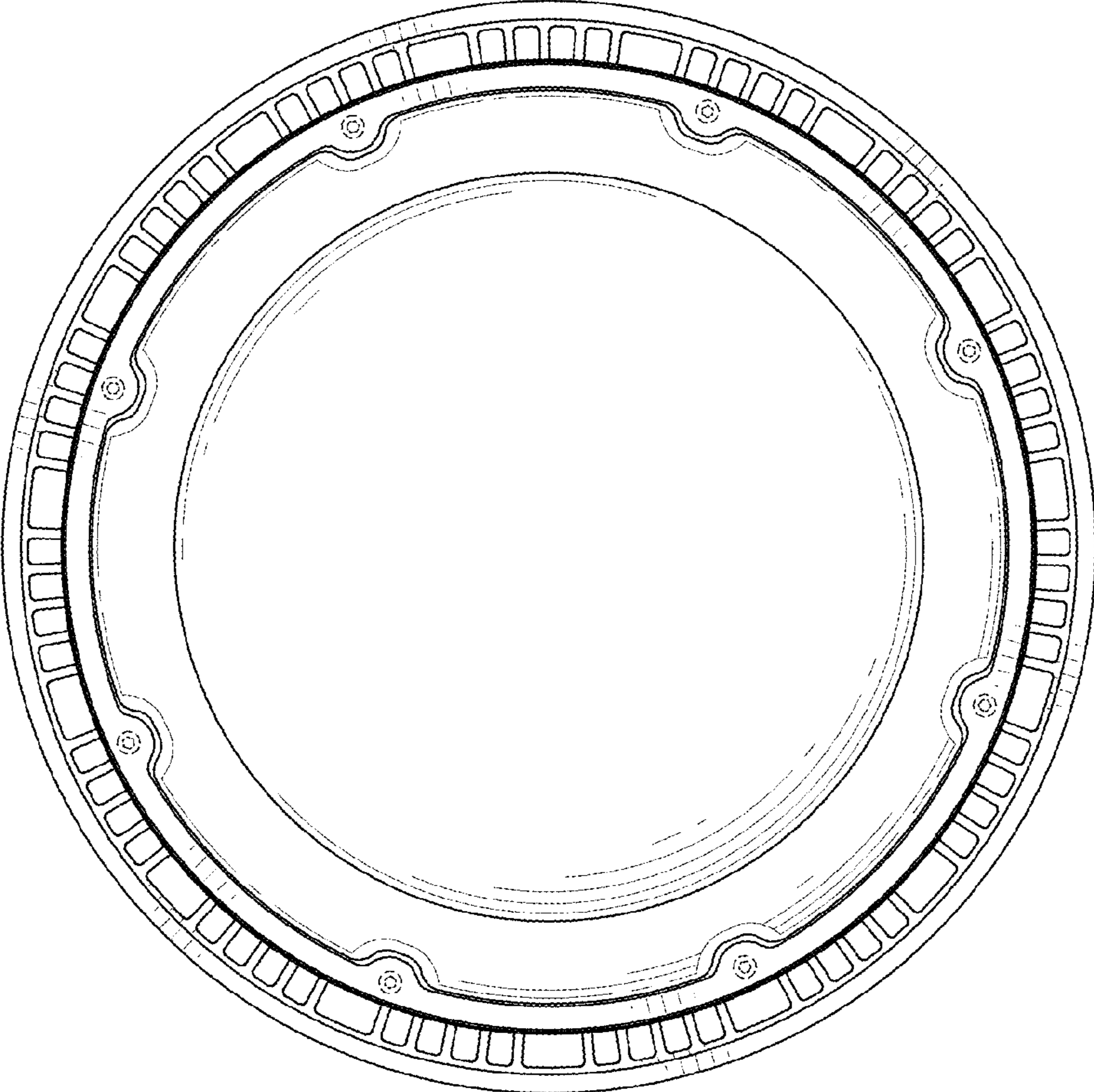


FIG. 6

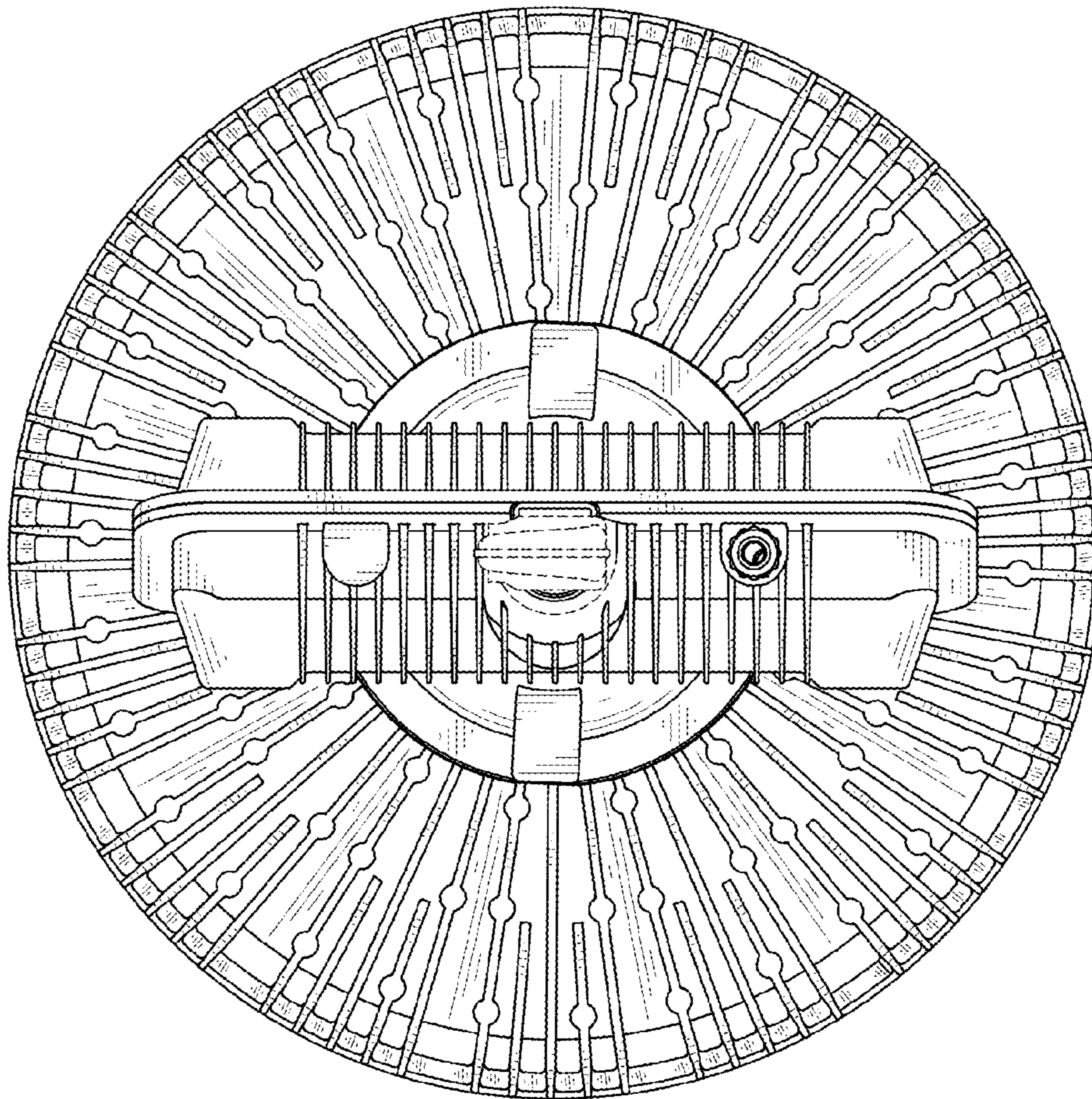


FIG. 7