

US00D764093S

(12) **United States Design Patent**  
**Sabernig**

(10) **Patent No.:** **US D764,093 S**

(45) **Date of Patent:** **\*\* Aug. 16, 2016**

(54) **LIGHT FIXTURE**

(71) Applicant: **EGLO Leuchten GmbH**, Pill (AT)

(72) Inventor: **Robert Sabernig**, Munster (AT)

(73) Assignee: **EGLO LEUCHTEN GMBH**, Pill (AT)

(\*\*) Term: **15 Years**

(21) Appl. No.: **29/527,013**

(22) Filed: **May 14, 2015**

(51) **LOC (10) Cl.** ..... **26-03**

(52) **U.S. Cl.**  
USPC ..... **D26/85**

(58) **Field of Classification Search**  
USPC ..... D26/72, 85, 86, 89, 118, 120  
CPC ..... F21S 8/03; F21S 8/033; F21S 8/024;  
F21V 7/041; F21V 7/043; F21V 7/045;  
F21V 7/05; F21V 7/06; F21V 7/07; F21V  
7/08; F21V 7/09

See application file for complete search history.

(56) **References Cited**

**U.S. PATENT DOCUMENTS**

- RE17,809 E \* 9/1930 Ohm ..... F21S 8/033  
362/446
- D197,530 S \* 2/1964 Jaffe et al. .... D26/85
- D384,433 S \* 9/1997 Littman ..... D26/85

- D413,000 S \* 8/1999 Littman ..... D26/85
- D430,326 S \* 8/2000 Littman ..... D26/85
- D552,783 S \* 10/2007 Brunner ..... D26/85
- D579,599 S \* 10/2008 Salatto-Rose ..... D26/85
- D589,639 S \* 3/2009 Silver ..... D26/85
- D664,702 S \* 7/2012 Senkyr ..... D26/85
- D714,990 S \* 10/2014 Yu ..... D26/85
- D715,477 S \* 10/2014 Yu ..... D26/85

\* cited by examiner

*Primary Examiner* — Clare E Heflin

(74) *Attorney, Agent, or Firm* — Baker & McKenzie LLP

(57) **CLAIM**

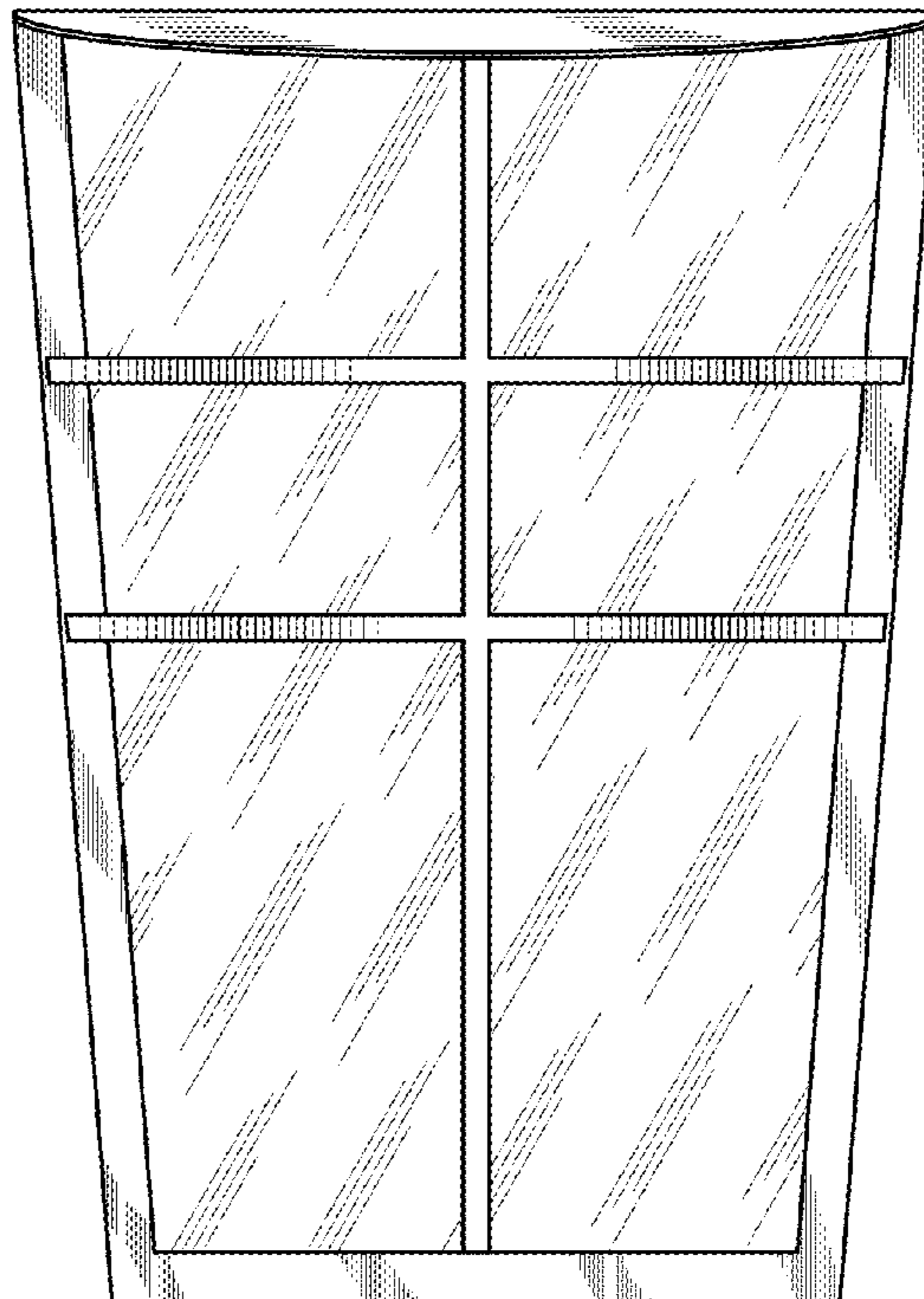
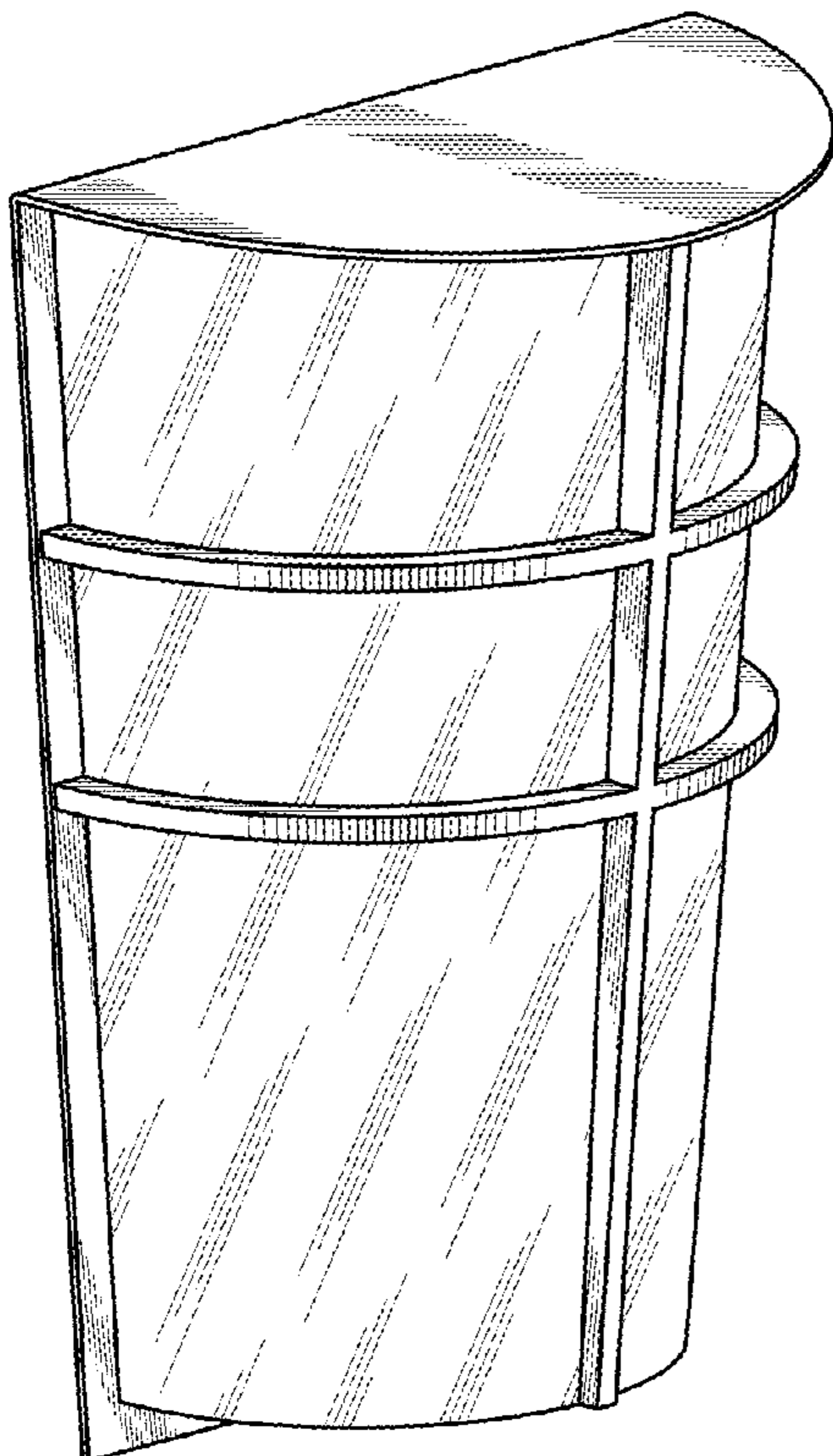
The ornamental design for a light fixture, as shown and described.

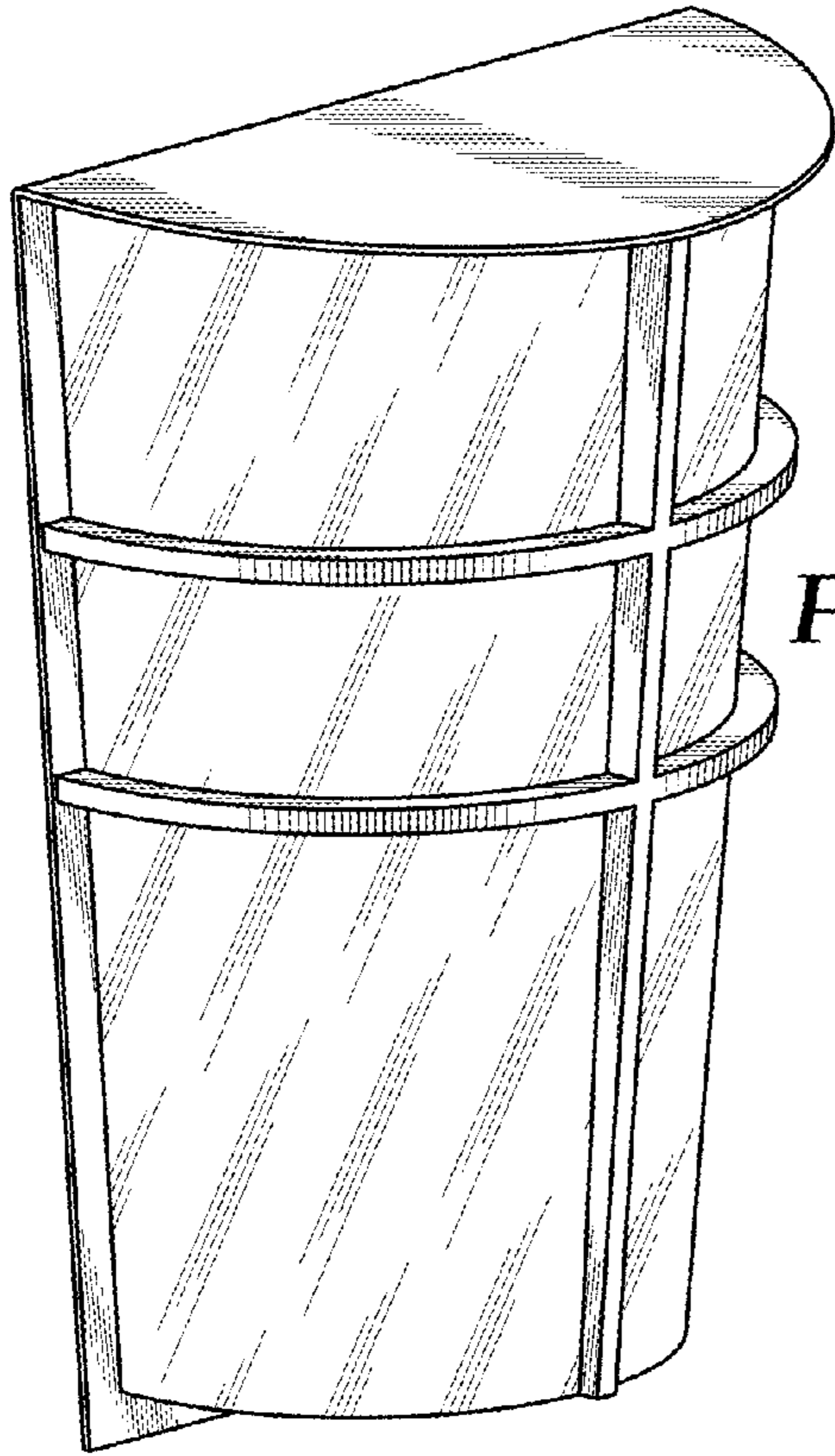
**DESCRIPTION**

FIG. 1 is a perspective view of a light fixture in accordance with my new design;  
 FIG. 2 is a top plan view of the light fixture in accordance with my new design;  
 FIG. 3 is a bottom plan view of the light fixture in accordance with my new design;  
 FIG. 4 is a left-side elevation view of the light fixture in accordance with my new design, the right-side elevation view being a mirror image of that shown; and,  
 FIG. 5 is a front elevation view of the light fixture in accordance with my new design.

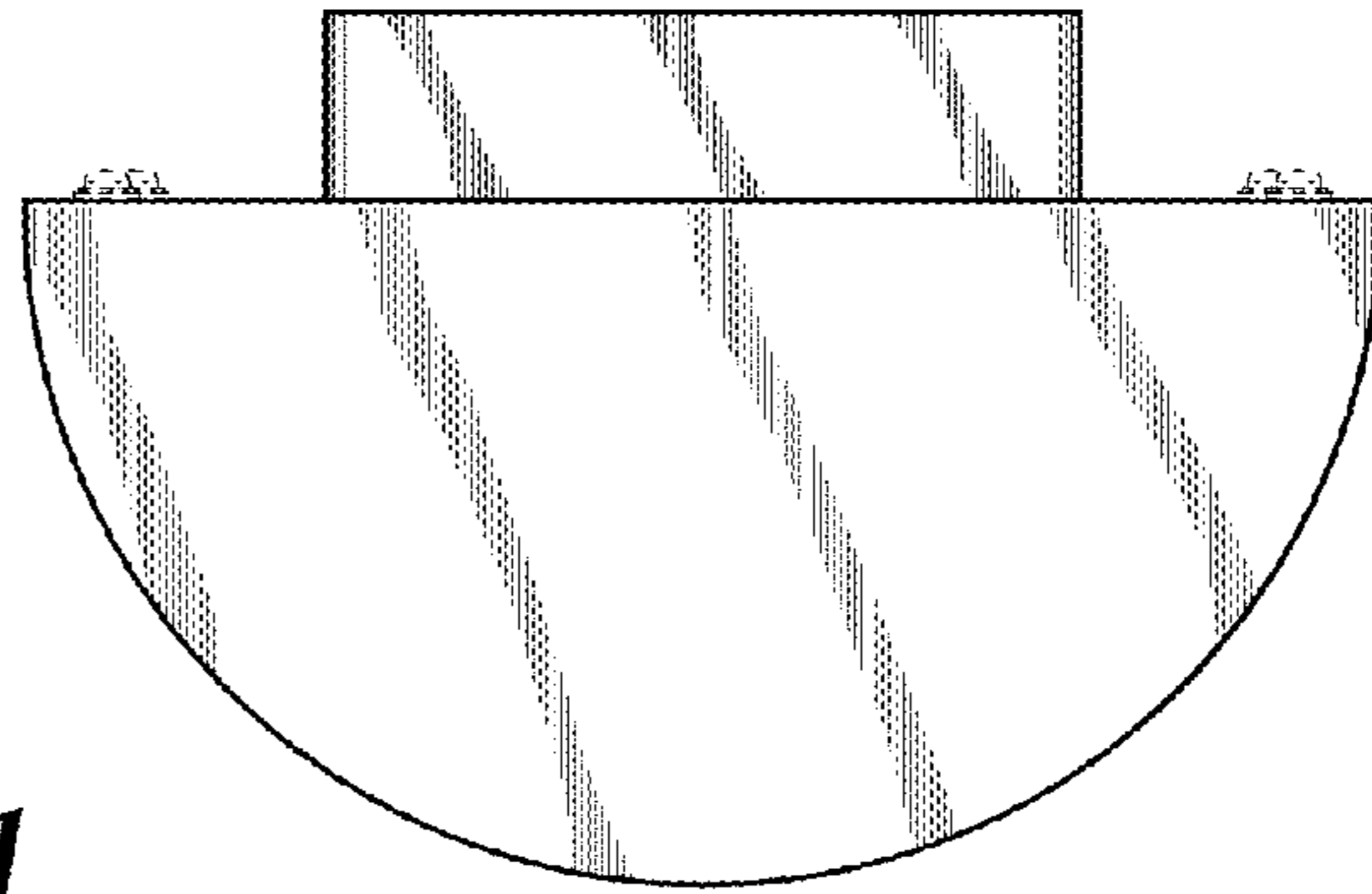
The broken lines shown on the drawings depict portions of the light fixture that form no part of the claimed design.

**1 Claim, 1 Drawing Sheet**

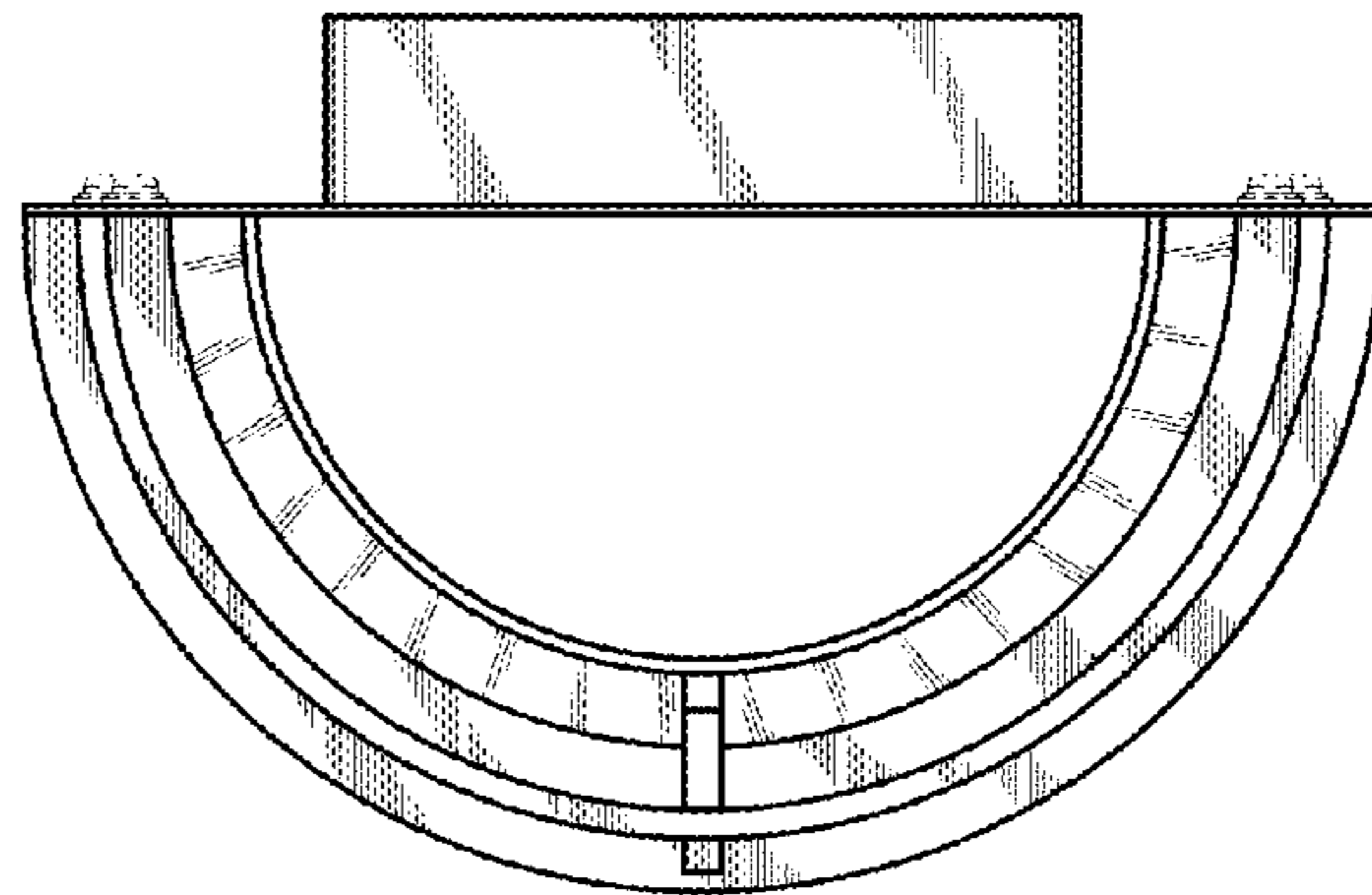




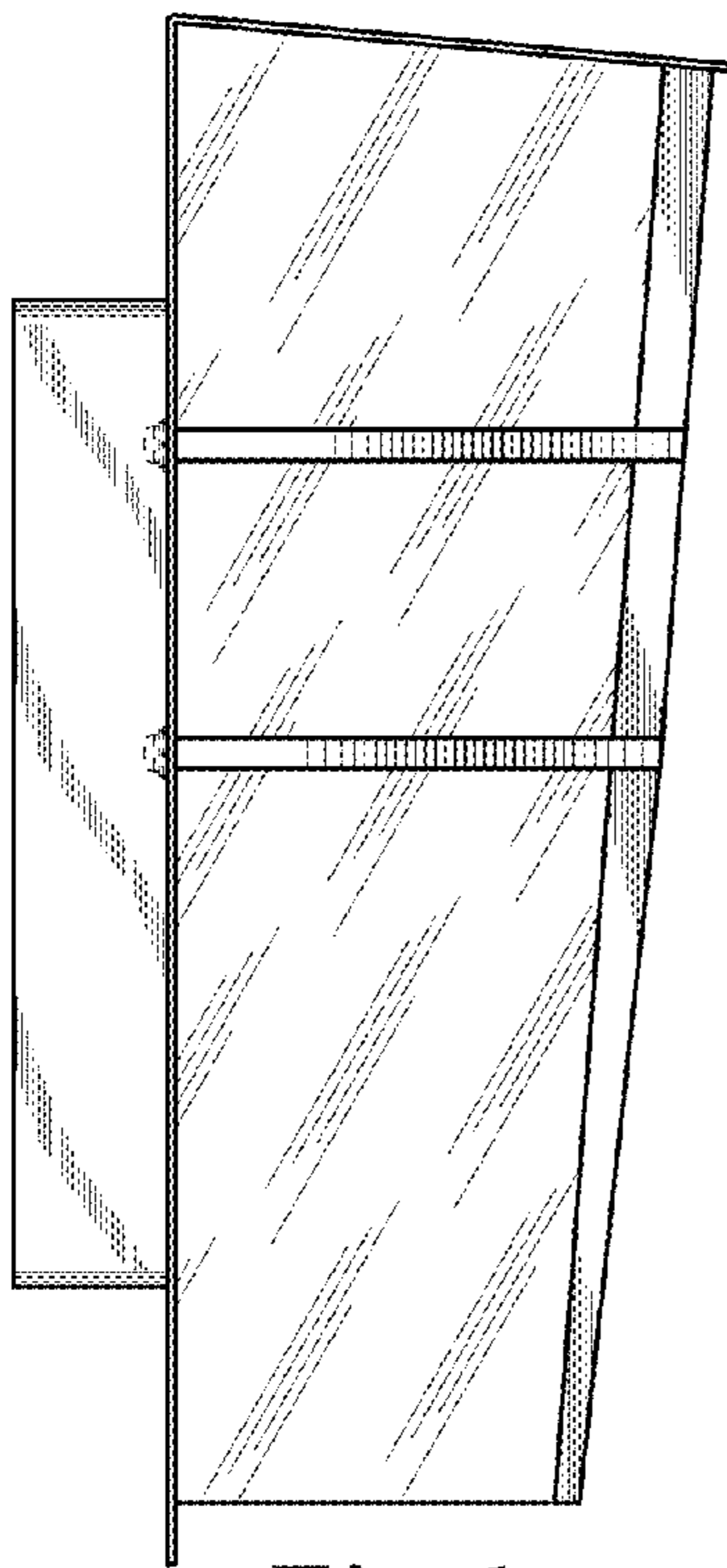
*Fig.1*



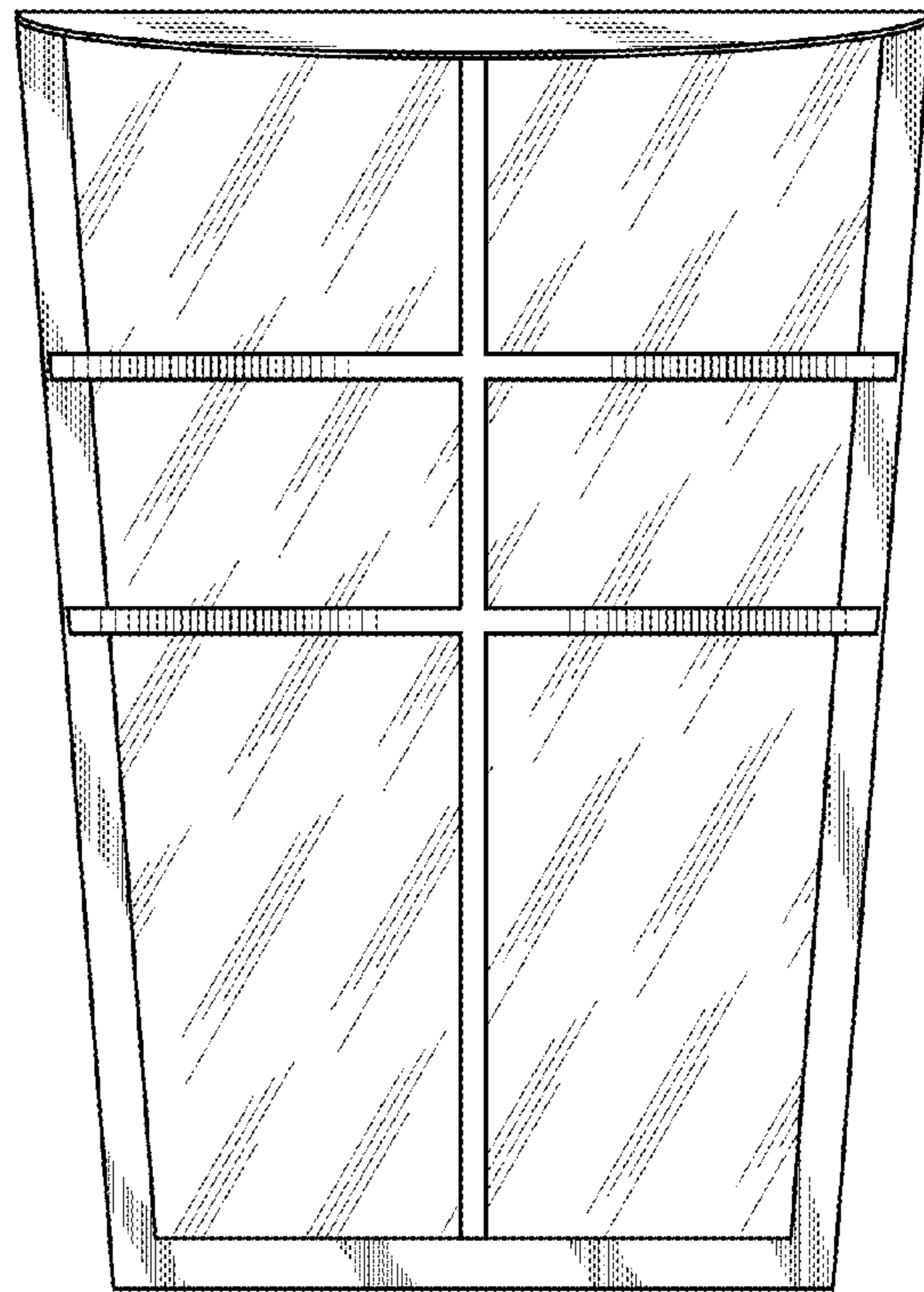
*Fig.2*



*Fig.3*



*Fig.4*



*Fig.5*