



US00D764092S

(12) **United States Design Patent**  
**Cai et al.**

(10) **Patent No.:** **US D764,092 S**

(45) **Date of Patent:** **\*\* Aug. 16, 2016**

(54) **LIGHT**

(71) Applicant: **NINGBO YUSING OPTOELECTRONIC TECHNOLOGY CO., LTD.**, Ningbo, Zhejiang (CN)

(72) Inventors: **Xiaoyu Cai**, Ningbo (CN); **Liang Zhang**, Ningbo (CN)

(73) Assignee: **NINGBO YUSING OPTOELECTRONIC TECHNOLOGY CO., LTD.**, Ningbo (CN)

(\*\*) Term: **14 Years**

(21) Appl. No.: **29/519,796**

(22) Filed: **Mar. 9, 2015**

(30) **Foreign Application Priority Data**

Oct. 23, 2014 (CN) ..... 2014 3 0404566

(51) **LOC (10) Cl.** ..... **26-03**

(52) **U.S. Cl.**  
USPC ..... **D26/76**

(58) **Field of Classification Search**  
USPC ..... D26/24, 39, 59, 67, 68, 69, 70, 71, 72,  
D26/74, 76, 77, 80, 88, 89, 98, 138, 139,  
D26/140, 141, 142, 151, 152  
CPC ..... F24S 4/001; F24S 4/005; F24S 8/00;  
F24S 8/04; F24S 8/043; F24S 8/046; F24S  
8/06-8/065; F24S 13/02; F24S 13/04; F24S  
13/06

See application file for complete search history.

(56) **References Cited**

U.S. PATENT DOCUMENTS

D520,667 S *	5/2006	Jae-Sung .....	D26/76
D569,027 S *	5/2008	Hakamada .....	D26/76
D602,627 S *	10/2009	Lasthein .....	D26/76
D603,548 S *	11/2009	Pei .....	D26/76
D690,452 S *	9/2013	Payne .....	D26/80
D695,443 S *	12/2013	Kaule .....	D26/76
D729,423 S *	5/2015	Noh .....	D26/24
D735,392 S *	7/2015	Ng .....	D26/76
D750,308 S *	2/2016	Rodgers .....	D26/76

\* cited by examiner

*Primary Examiner* — George D Kirschbaum

*Assistant Examiner* — Natasha Vujcic

(57) **CLAIM**

The ornamental design for a light, as shown and described.

**DESCRIPTION**

FIG. 1 is a front elevational view of a light showing our new design;

FIG. 2 is a rear elevational view thereof;

FIG. 3 is a left side view thereof;

FIG. 4 is a right side view thereof;

FIG. 5 is a top plan view thereof;

FIG. 6 is a bottom plan view thereof;

FIG. 7 is a first perspective view thereof;

FIG. 8 is a second perspective view thereof;

FIG. 9 is a third perspective view thereof;

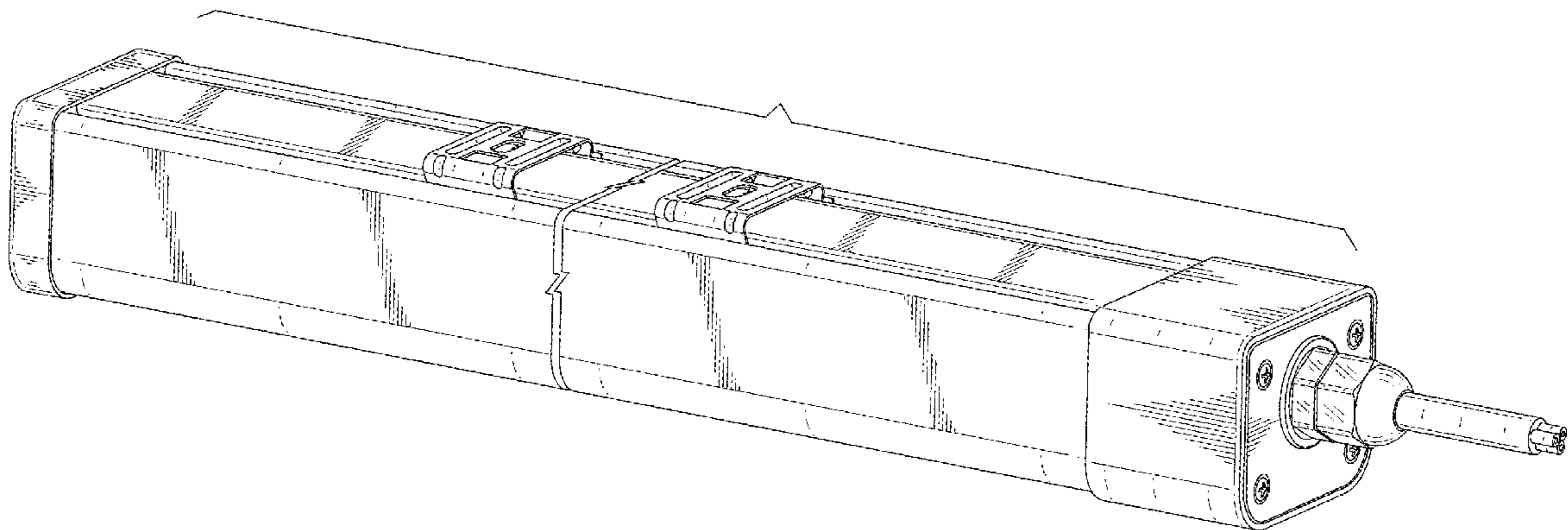
FIG. 10 is a fourth perspective view thereof;

FIG. 11 is an enlarged view of FIG. 3; and,

FIG. 12 is an enlarged view of FIG. 4.

The break lines in the figures indicate that the appearance of any portion of the light between the break lines forms no part of the claimed design.

**1 Claim, 12 Drawing Sheets**



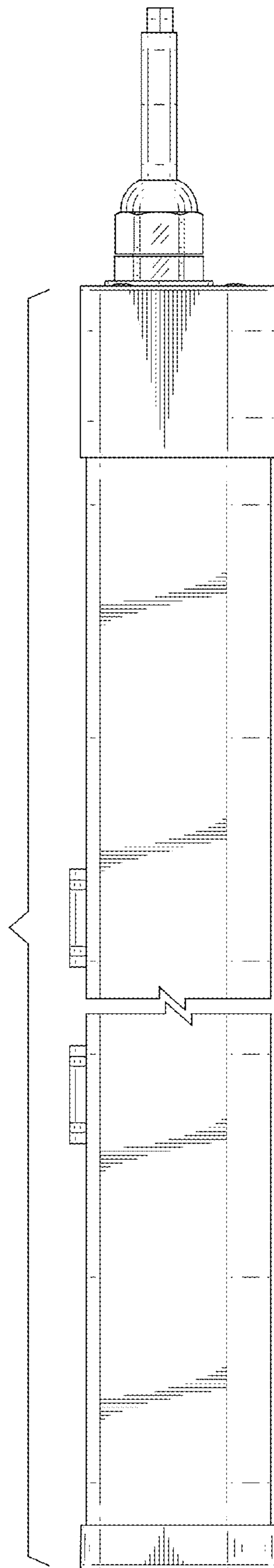


FIG.1

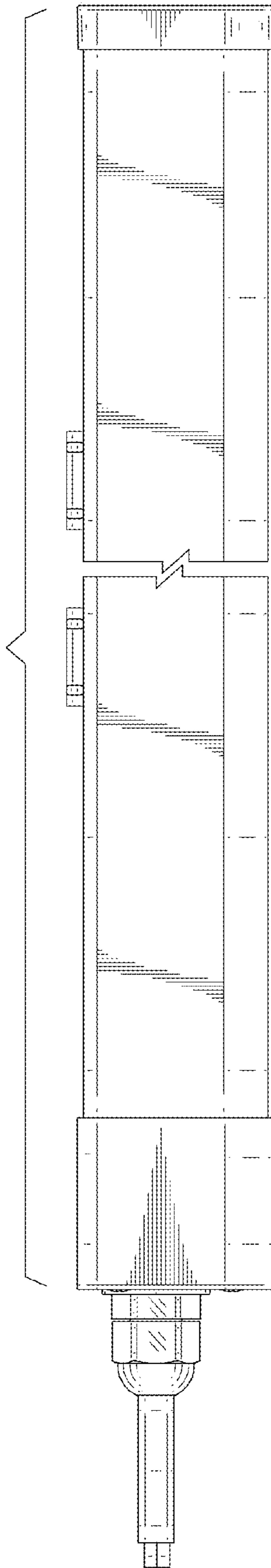


FIG.2

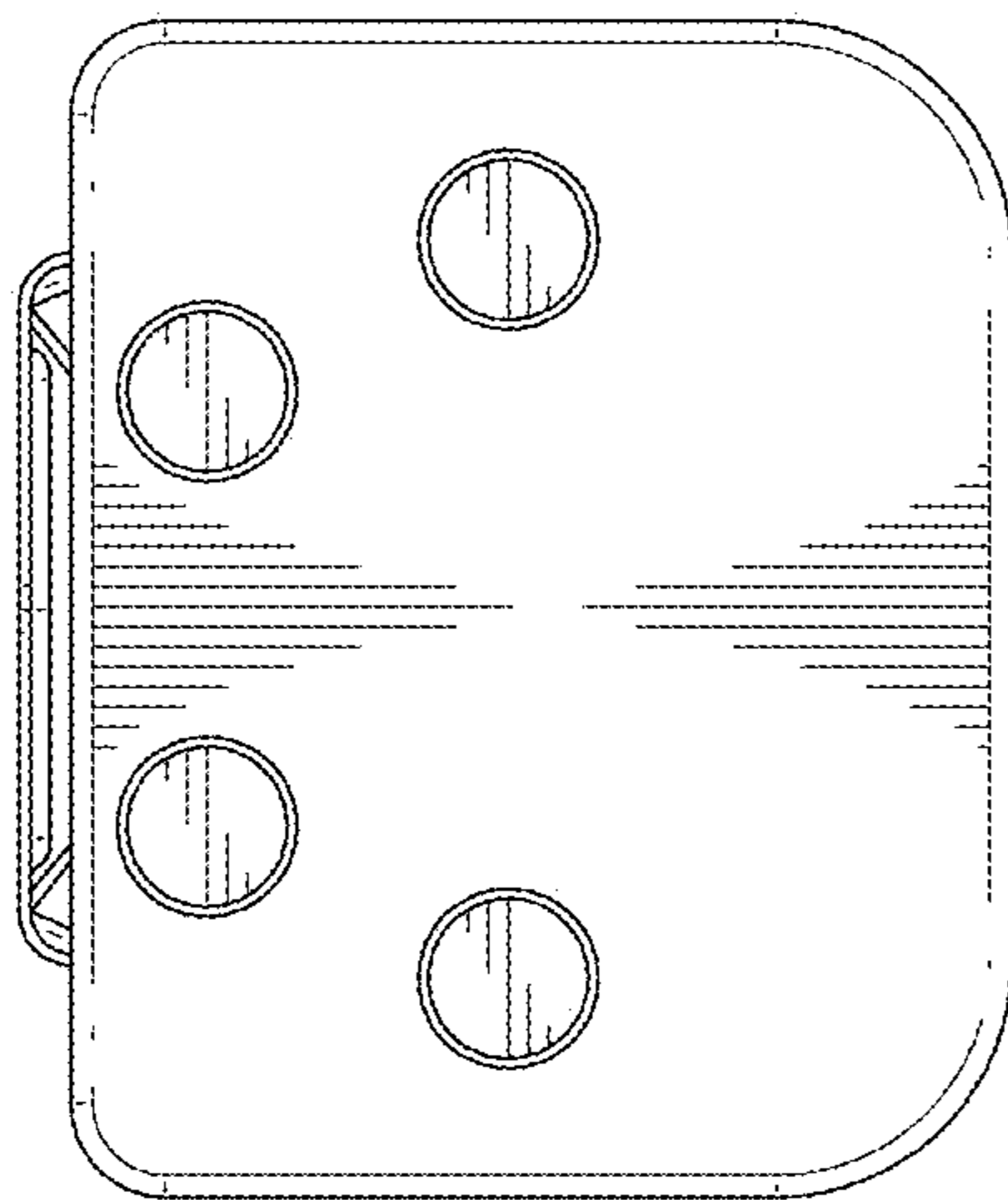


FIG.3

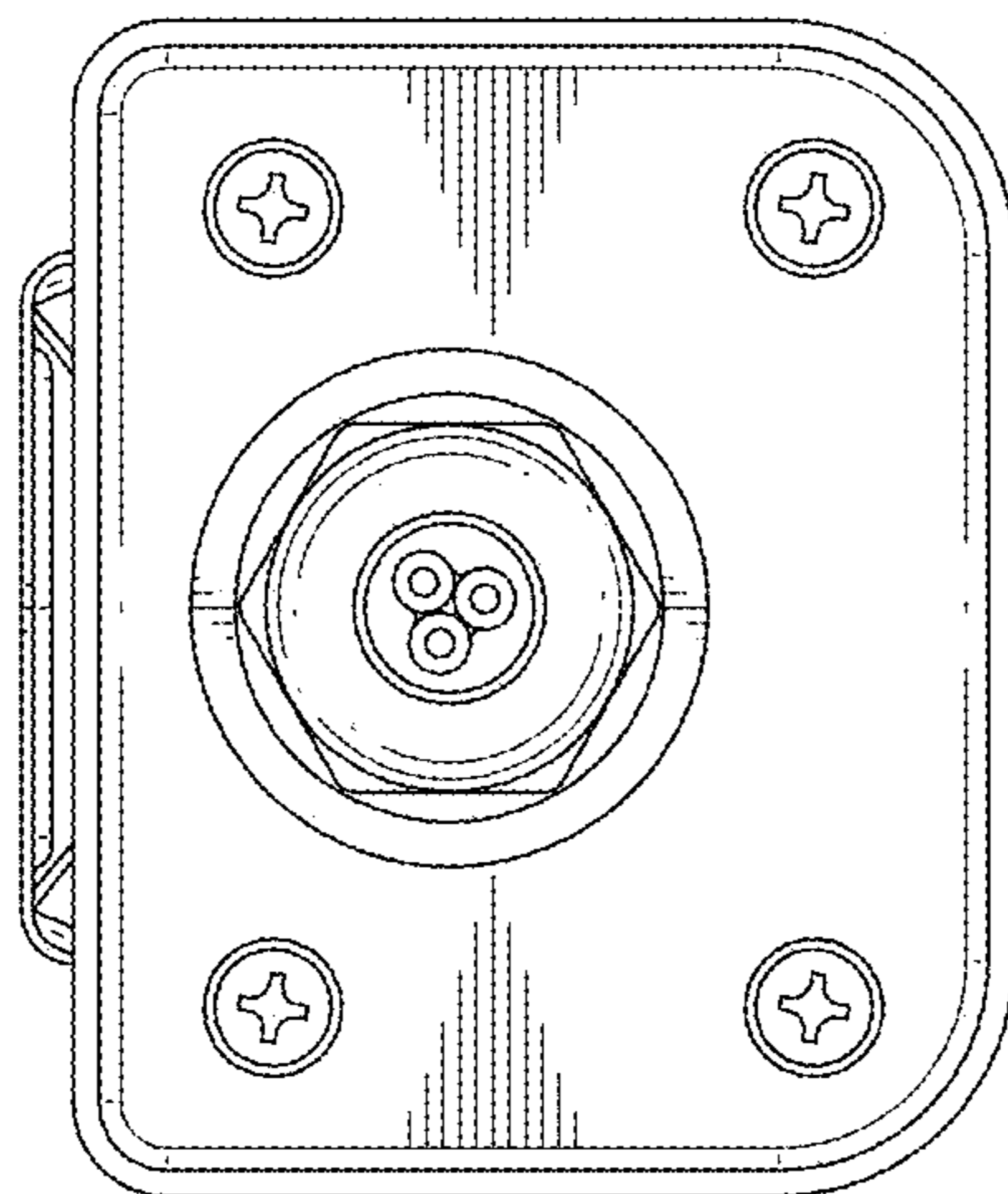


FIG.4

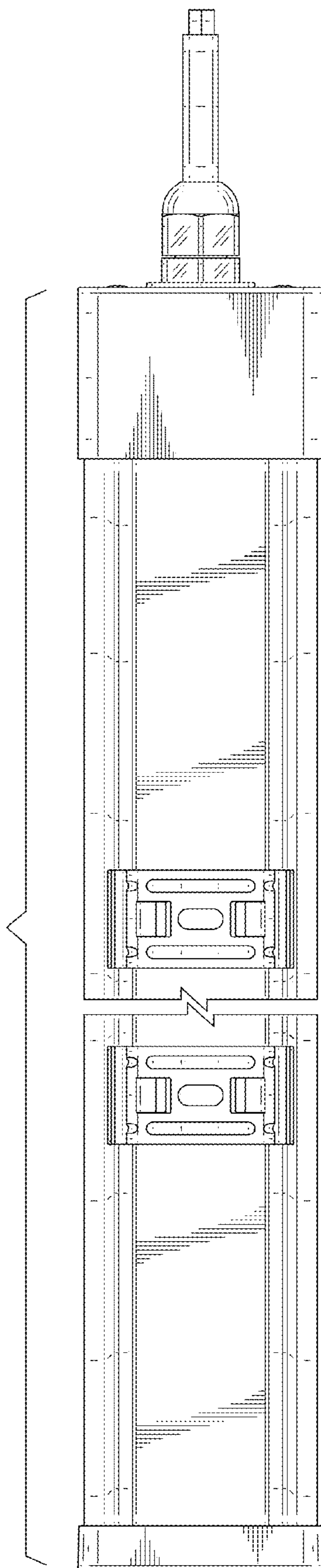


FIG. 5

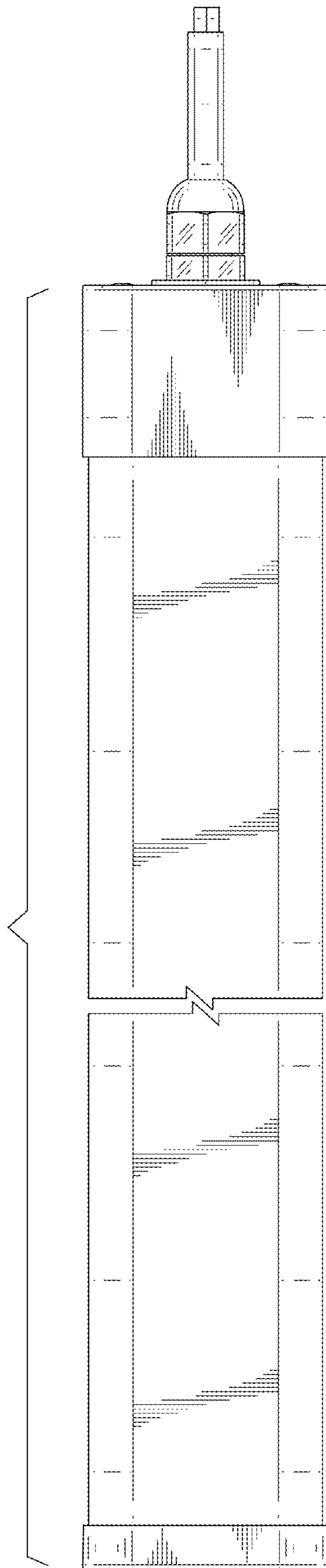


FIG.6

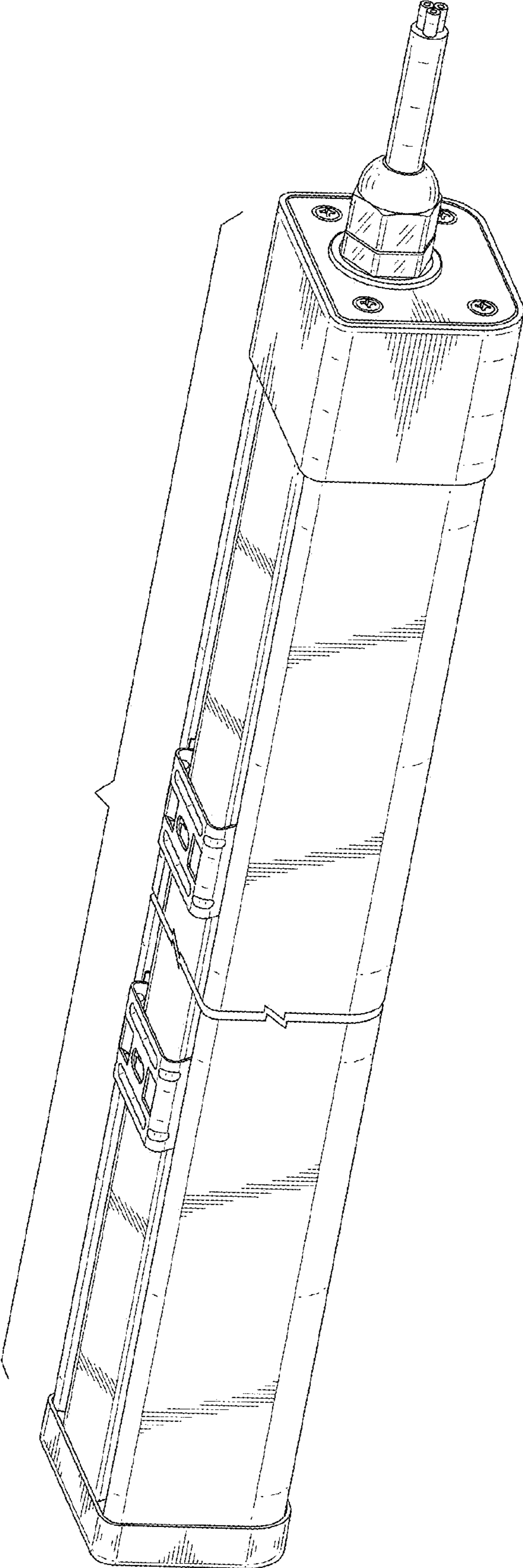


FIG.7



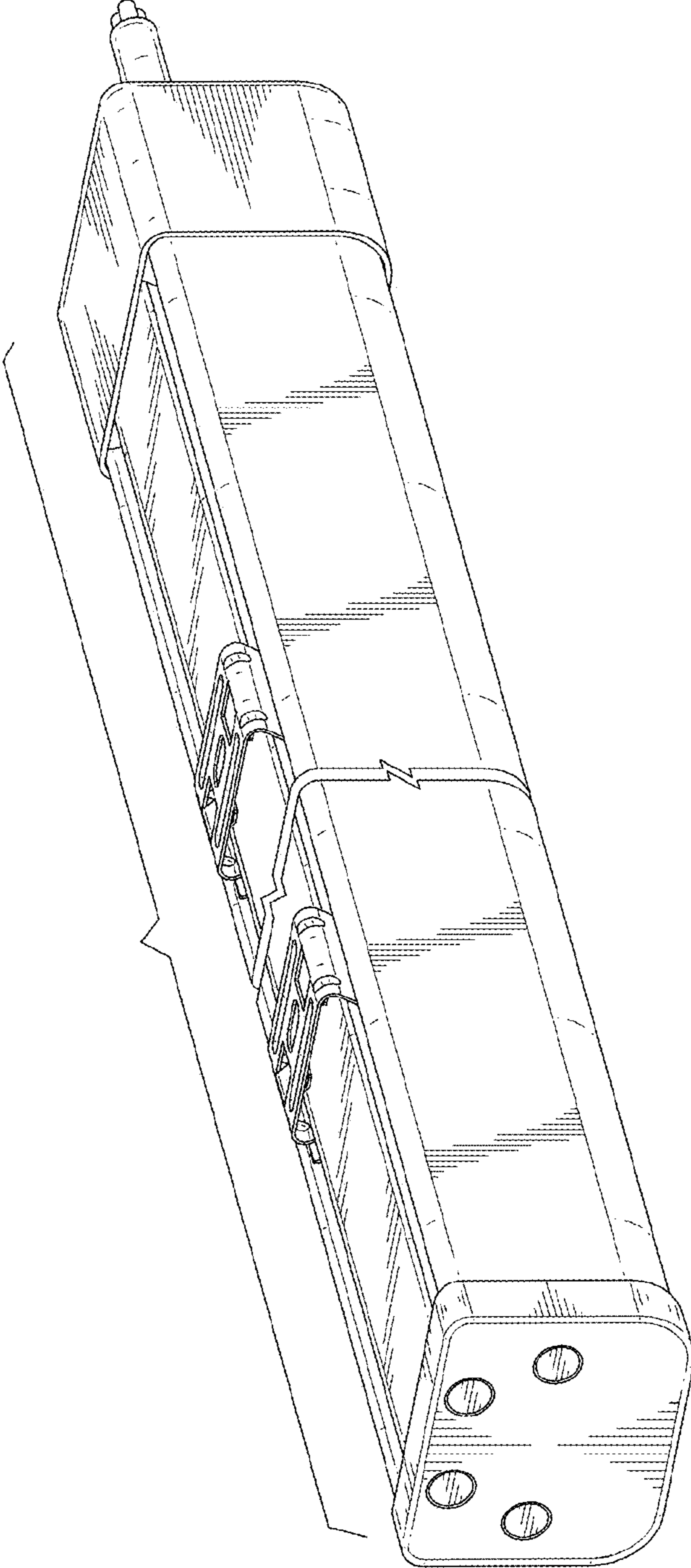


FIG.8

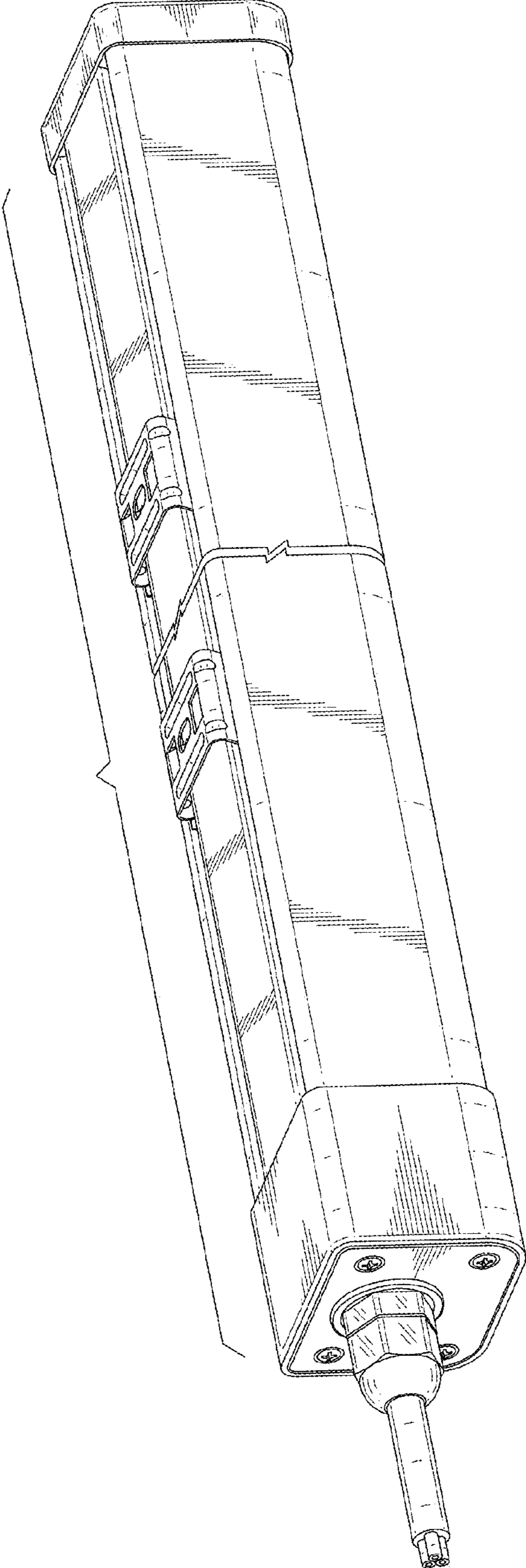


FIG.9

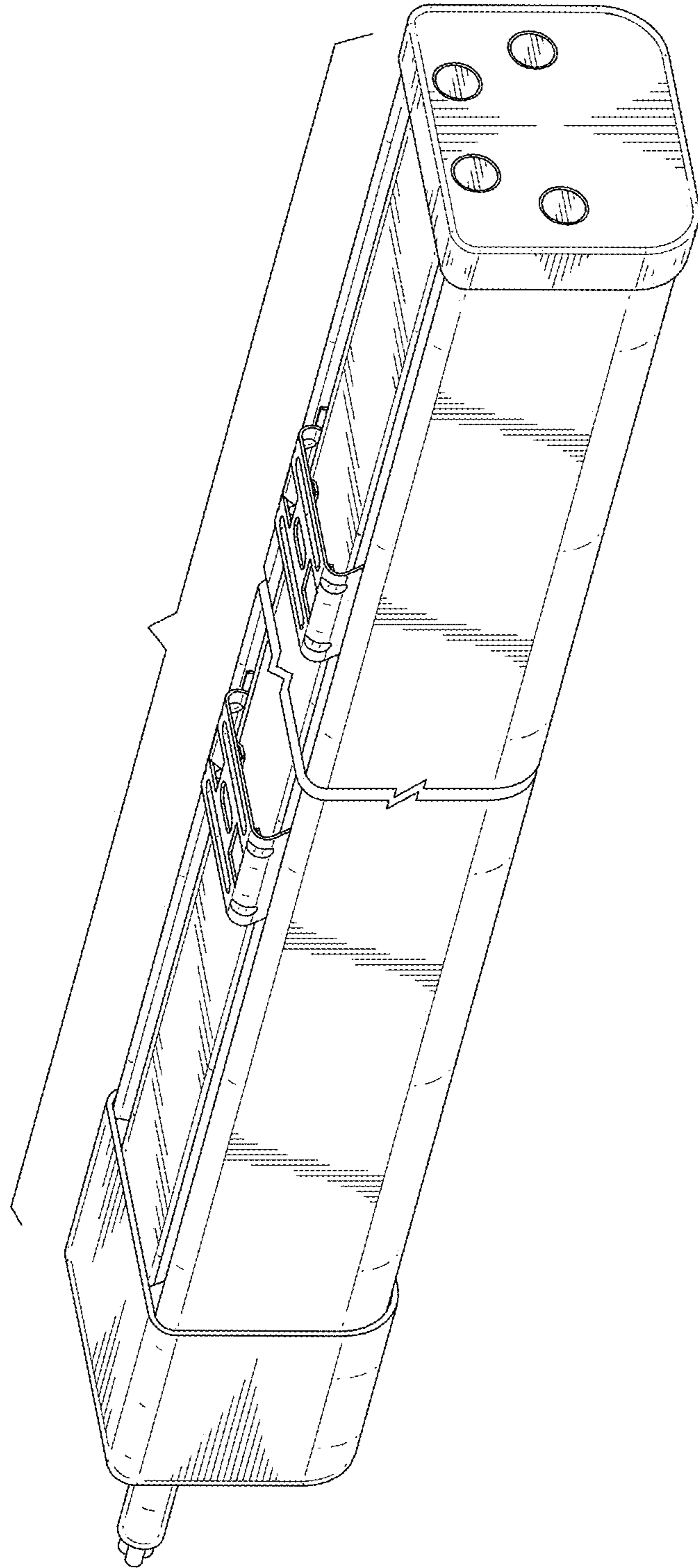


FIG.10

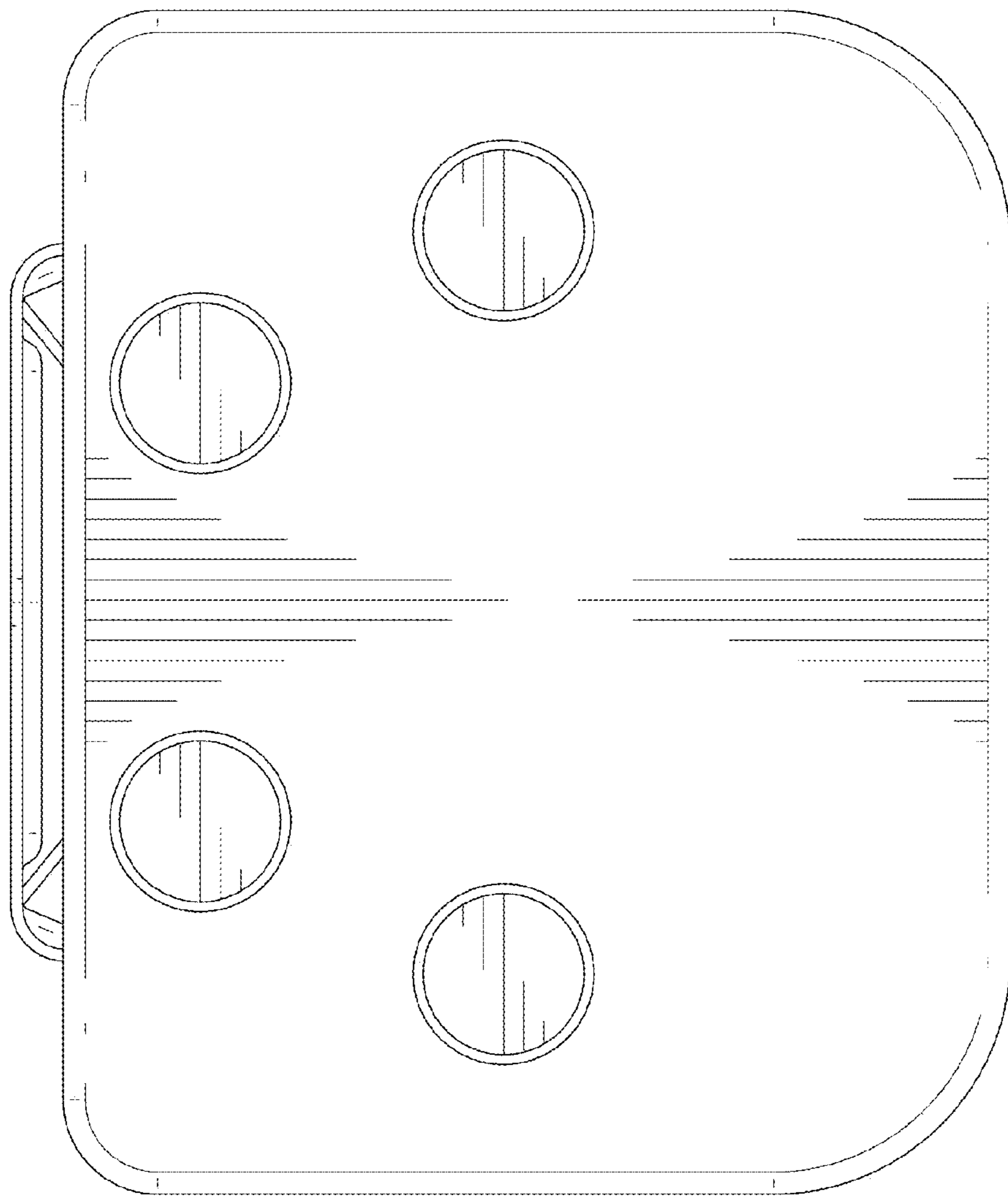


FIG.11

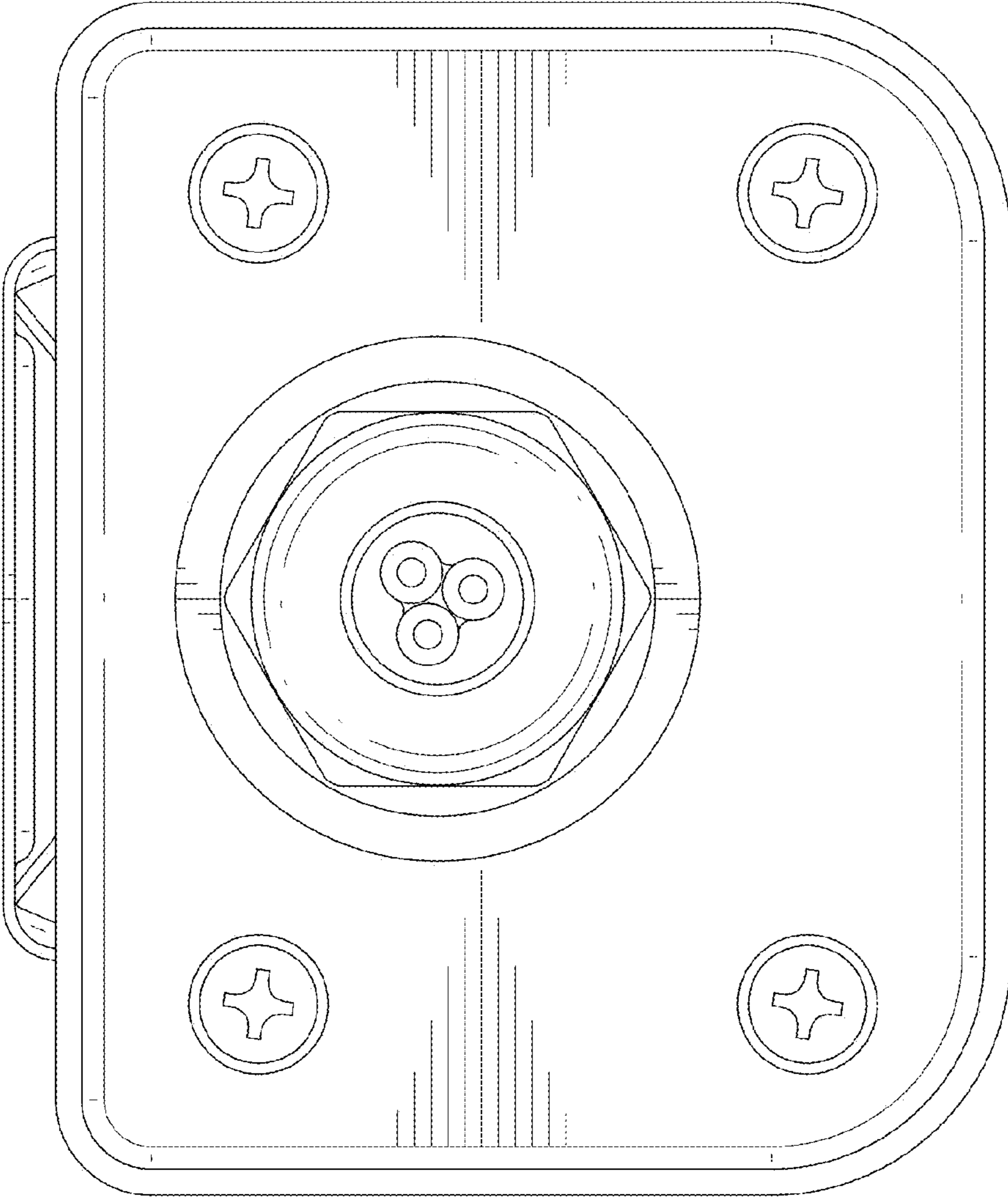


FIG.12